



US00D831189S

(12) **United States Design Patent**  
**Fang et al.**

(10) **Patent No.:** **US D831,189 S**  
(45) **Date of Patent:** **\*\* Oct. 16, 2018**

(54) **SKIN MOISTURE AND OIL ANALYZER**

(71) Applicant: **SHENZHEN COSBEAUTY CO., LTD.**, Nanshan, Shenzhen (CN)

(72) Inventors: **Ziran Fang**, Shenzhen (CN); **Wanfu Huang**, Shenzhen (CN)

(73) Assignee: **SHENZHEN COSBEAUTY CO., LTD.**, Shenzhen (CN)

(\*\*) Term: **15 Years**

(21) Appl. No.: **29/570,194**

(22) Filed: **Jul. 6, 2016**

(30) **Foreign Application Priority Data**

Jan. 27, 2016 (CN) ..... 2016 3 0030262

(51) **LOC (11) Cl.** ..... **24-01**

(52) **U.S. Cl.**  
USPC ..... **D24/107; D24/186**

(58) **Field of Classification Search**

USPC ..... D24/186-188, 200, 209, 214-215,  
D24/107-108; D28/8.1, 8.2, 66-67, 82,  
D28/88, 89; D9/504, 549, 551, 538, 539,  
D9/564

CPC ..... A61B 5/443; A61B 5/441; A61B 5/44  
See application file for complete search history.

(56) **References Cited**

**U.S. PATENT DOCUMENTS**

1,467,151 A \* 9/1923 Freundt ..... A45D 33/006  
132/294  
D75,502 S \* 6/1928 Kasdan et al. .... D28/82  
D408,590 S \* 4/1999 Litton ..... D28/82  
D507,078 S \* 7/2005 Greenfield ..... D28/82  
D514,936 S \* 2/2006 Pace ..... D9/504  
D579,572 S \* 10/2008 Wittenbrock ..... D24/209  
D645,352 S \* 9/2011 Bore ..... D9/443  
D684,269 S \* 6/2013 Wang ..... D24/209

(Continued)

**FOREIGN PATENT DOCUMENTS**

CN 303106768 \* 2/2015

**OTHER PUBLICATIONS**

CosBeauty Smart/Digital Skin Analyzer Review. My Beauty Loots. Published: Jun. 2015. Retrieved from the Internet: <<http://mybeautyloots.blogspot.com/2015/06/cosbeauty-digital-skin-analyzer-review.html>> (Year: 2015).\*

(Continued)

*Primary Examiner* — Eric L Goodman

*Assistant Examiner* — Lilyana Bekic

(74) *Attorney, Agent, or Firm* — Mark C. Johnson;  
Johnson | Dalal

(57) **CLAIM**

The ornamental design for a skin moisture and oil analyzer, as shown and described.

**DESCRIPTION**

FIG. 1 is a perspective view of a skin moisture and oil analyzer in accordance with the present invention;

FIG. 2 is an elevational front view of the skin moisture and oil analyzer of FIG. 1;

FIG. 3 is an elevational rear view of the skin moisture and oil analyzer of FIG. 1;

FIG. 4 is an elevational left side view of the skin moisture and oil analyzer of FIG. 1;

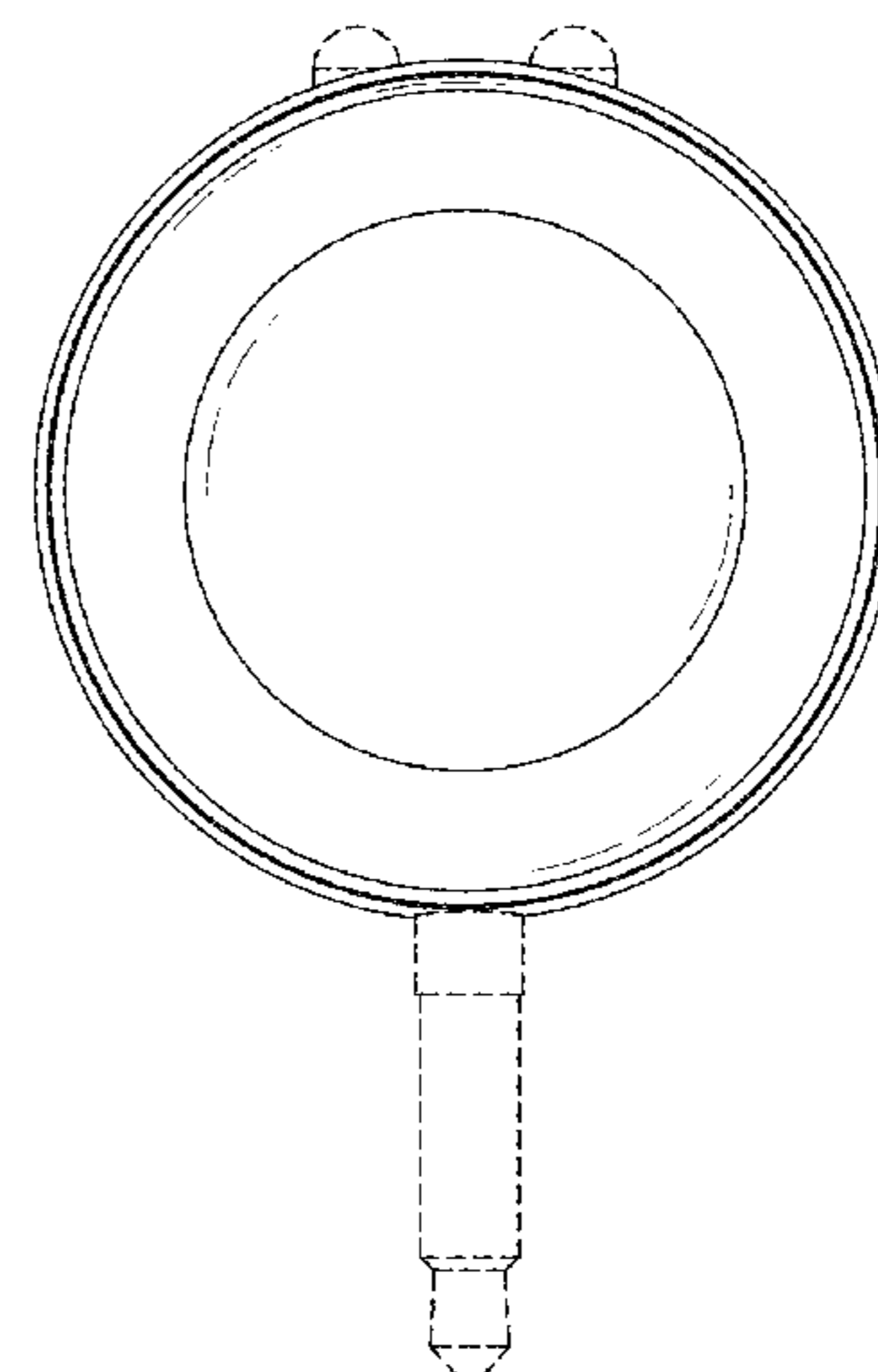
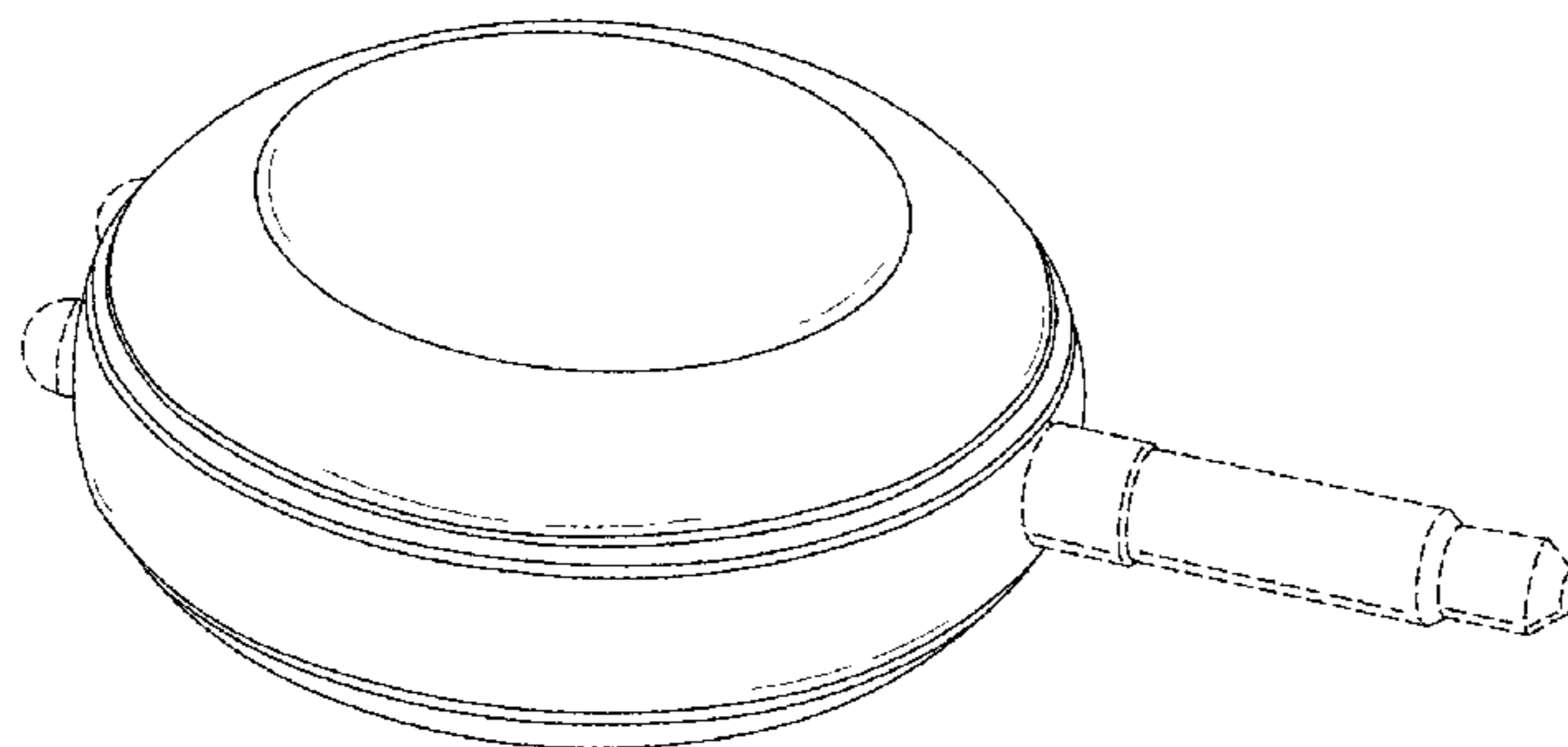
FIG. 5 is an elevational right side view of the skin moisture and oil analyzer of FIG. 1;

FIG. 6 is a top plan view of the skin moisture and oil analyzer of FIG. 1; and,

FIG. 7 is a bottom plan view of the skin moisture and oil analyzer of FIG. 1.

The broken lines in the drawings depict portions of the skin moisture and oil analyzer that form no part of the claimed design.

**1 Claim, 5 Drawing Sheets**



(56)

**References Cited**

U.S. PATENT DOCUMENTS

D697,800 S \* 1/2014 Villarreal ..... D28/82  
D753,832 S \* 4/2016 Lin ..... D24/186  
D765,512 S \* 9/2016 Joulia ..... D28/7  
D775,959 S \* 1/2017 Owen ..... D28/82  
D787,074 S \* 5/2017 Fang ..... D24/186  
D796,355 S \* 9/2017 Cho ..... D10/70  
D803,410 S \* 11/2017 Im ..... D24/187

OTHER PUBLICATIONS

Smart Skin Moisture Analyzer with Phone App—Yellow. Latest Gadget. Copyright 2014 [retrieved on Feb. 8, 2018]. Retrieved from the Internet: <[https://www.latestgadget.com.ph/index.php?route=product/product&product\\_id=5177](https://www.latestgadget.com.ph/index.php?route=product/product&product_id=5177)> (Year: 2014).\*

\* cited by examiner

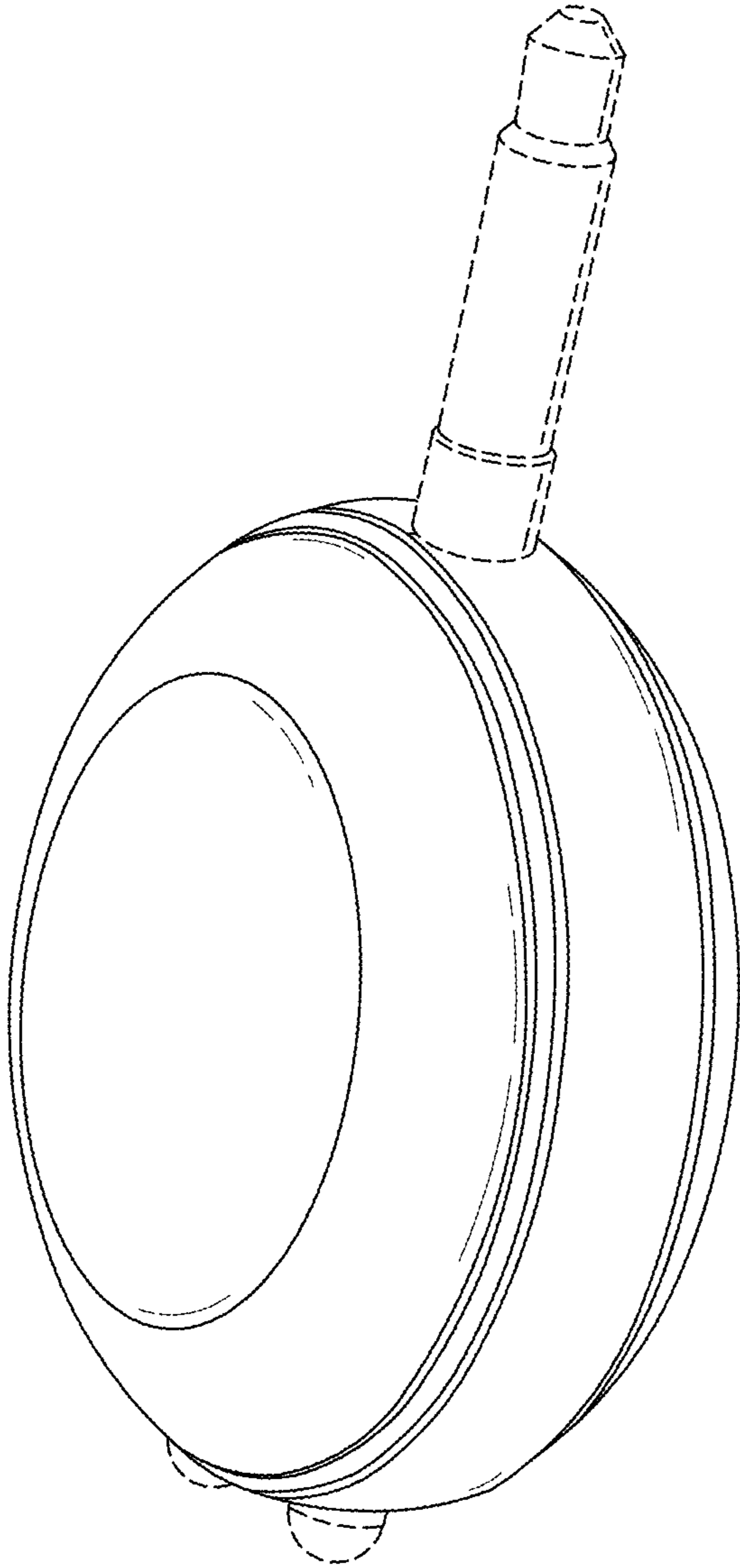


FIG.1

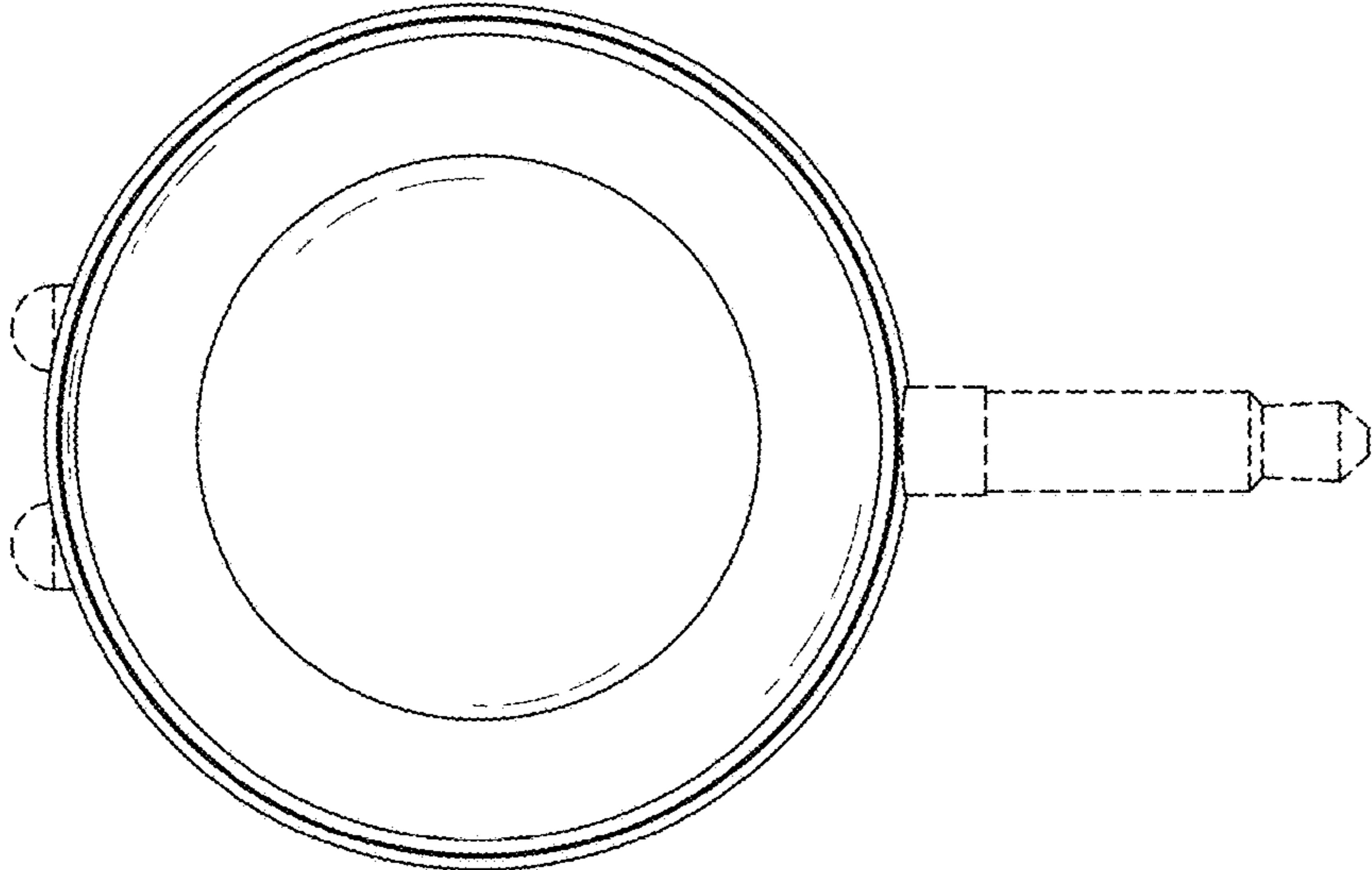


FIG.3

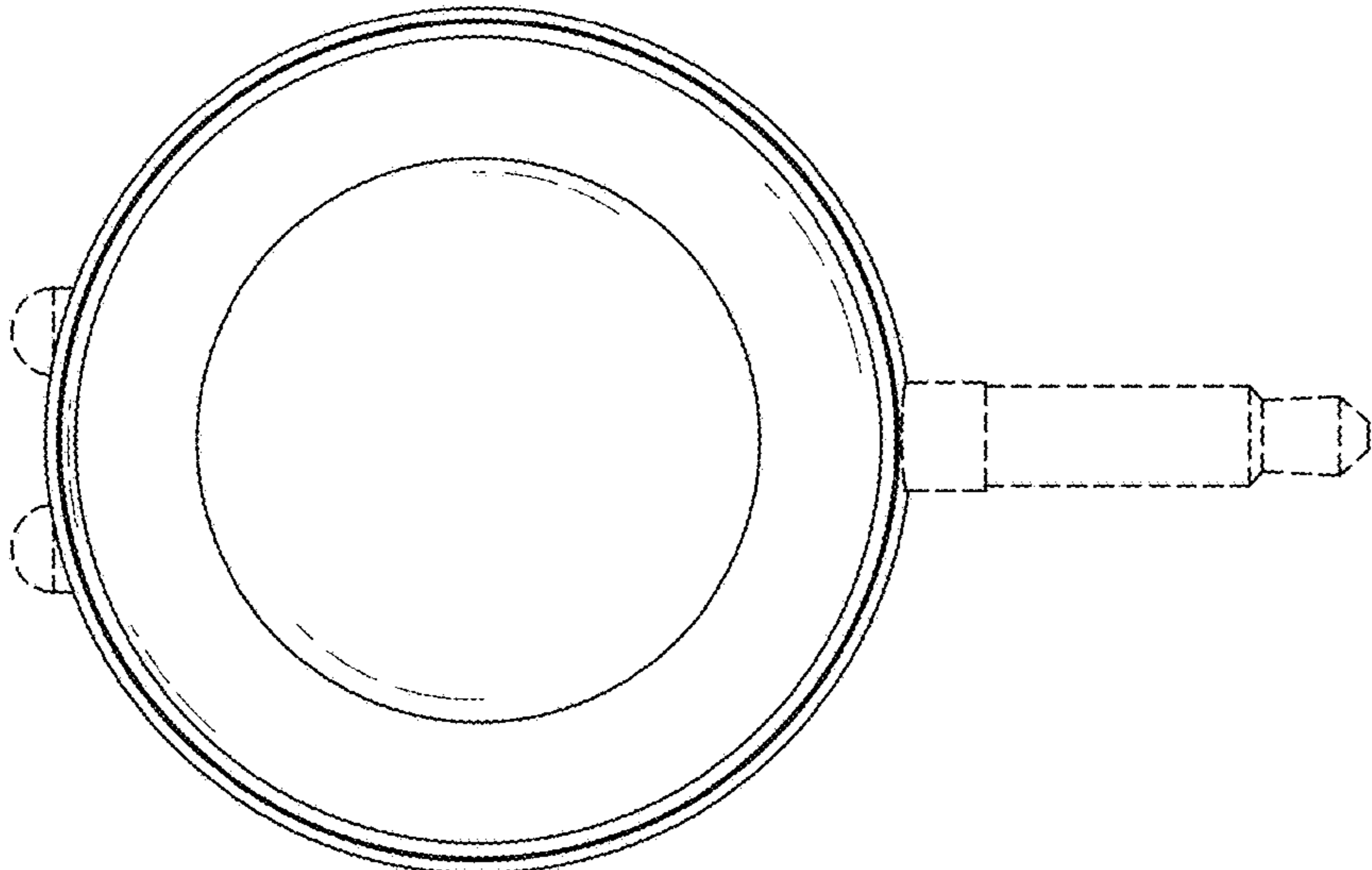


FIG.2

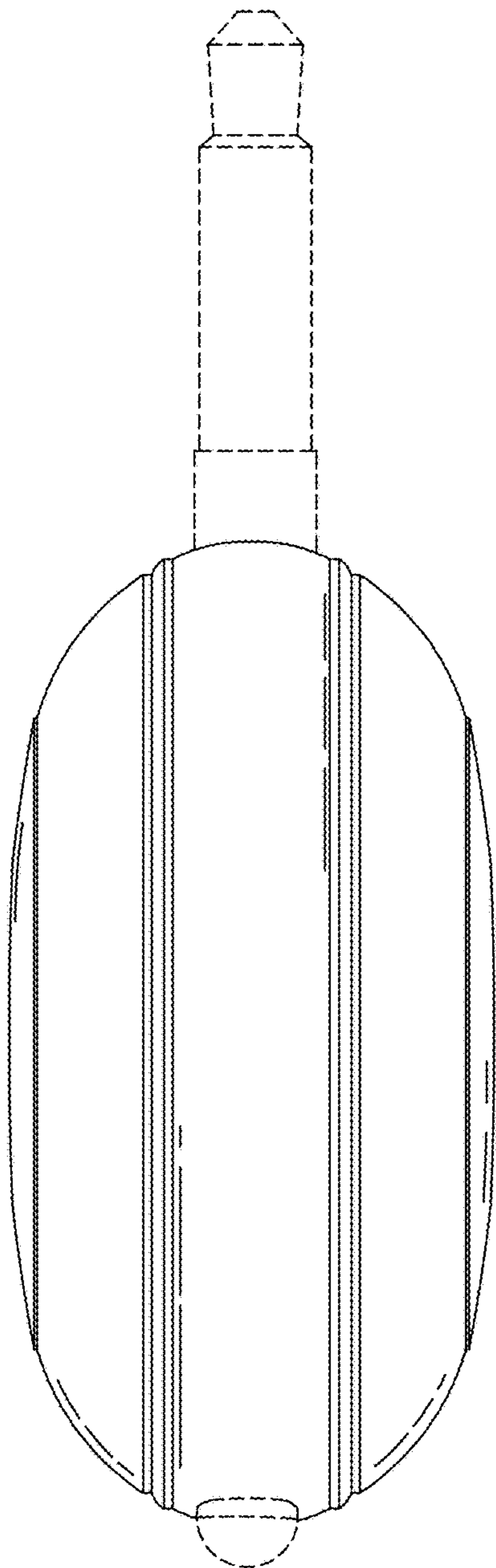


FIG.4

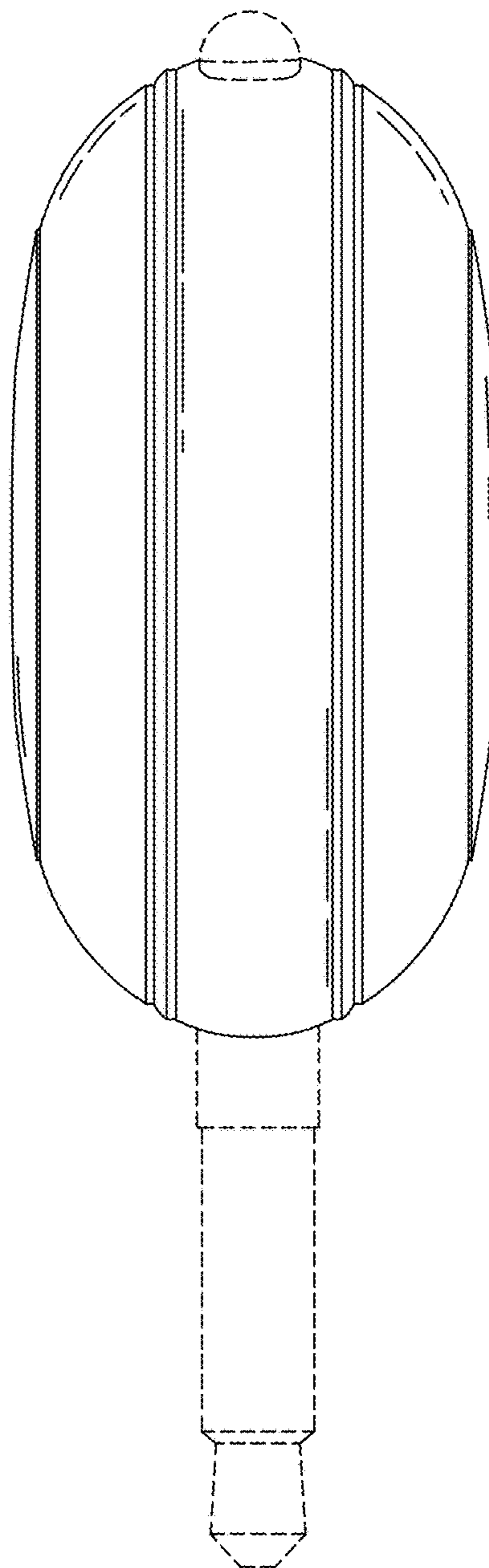


FIG.5

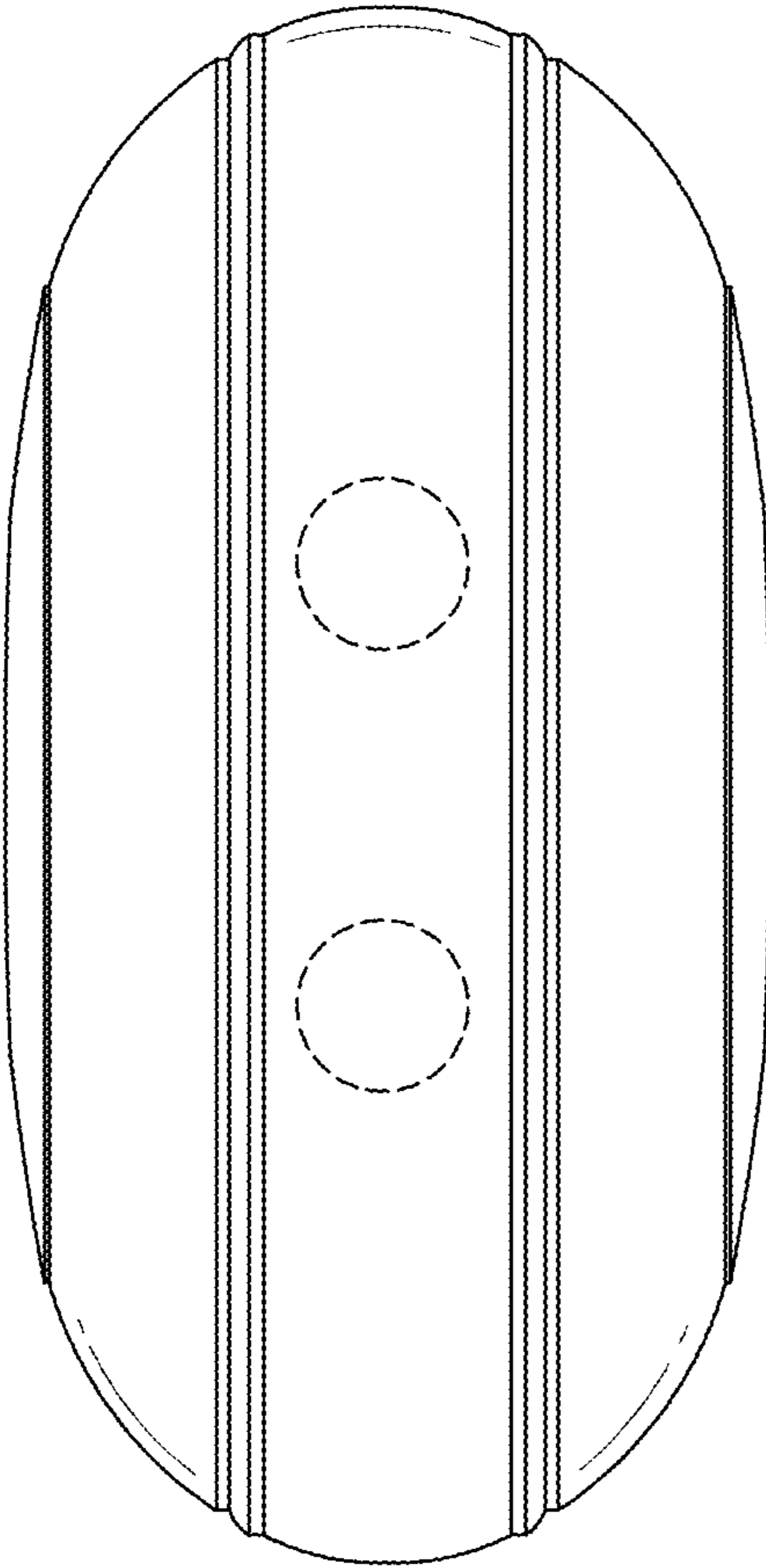


FIG.6

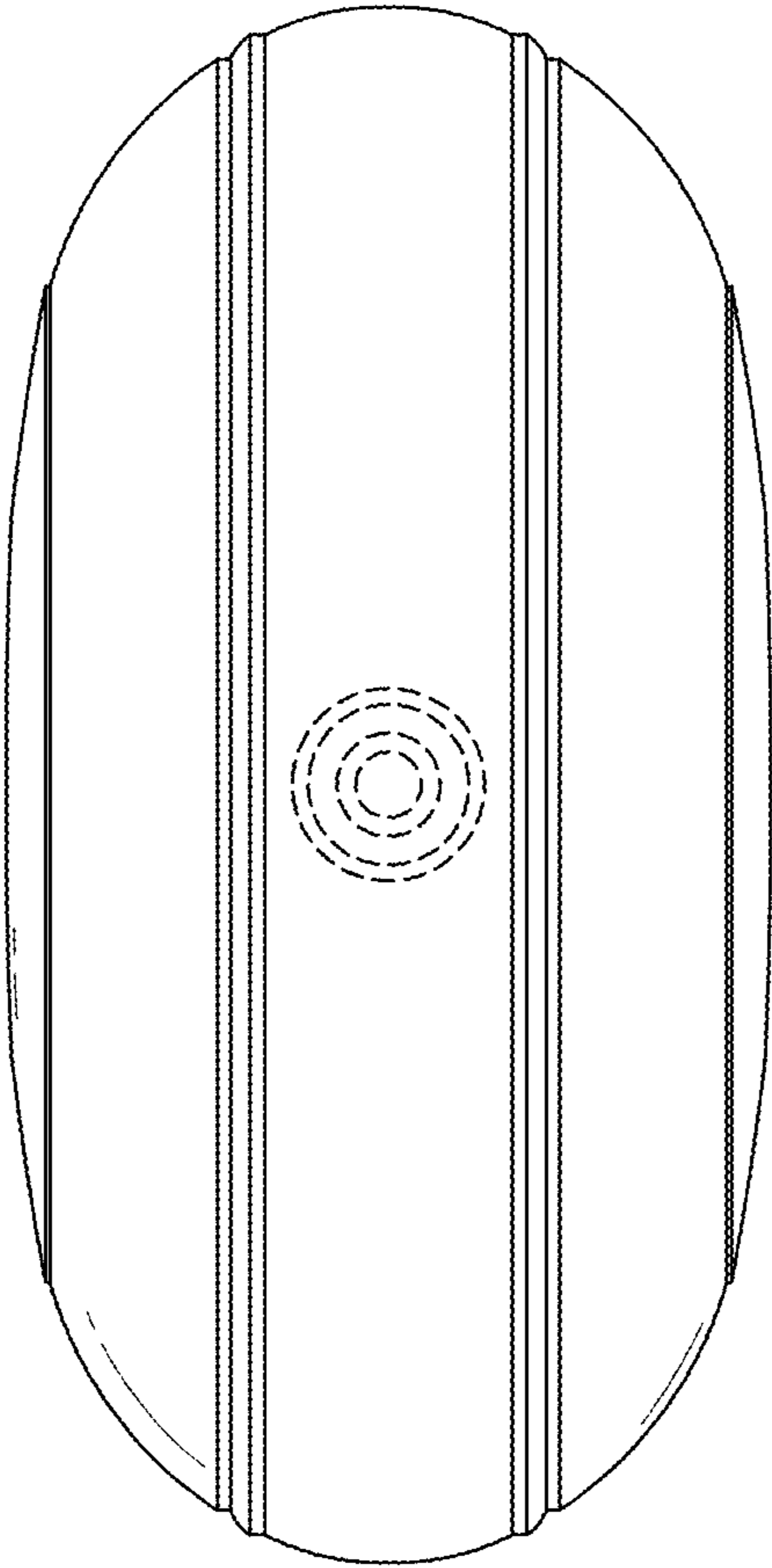


FIG.7