



US00D831187S

(12) **United States Design Patent**
Schulzman

(10) **Patent No.:** **US D831,187 S**
(45) **Date of Patent:** **** *Oct. 16, 2018**

(54) **COMBINATION CEILING FAN AND LIGHT FIXTURE**

(71) Applicant: **Minka Lighting, Inc.**, Corona, CA (US)

(72) Inventor: **Kurt Schulzman**, Long Beach, CA (US)

(73) Assignee: **Minka Lighting, Inc.**, Corona, CA (US)

(*) Notice: This patent is subject to a terminal disclaimer.

(**) Term: **15 Years**

(21) Appl. No.: **29/614,637**

(22) Filed: **Aug. 21, 2017**

Related U.S. Application Data

(63) Continuation of application No. 29/557,823, filed on Mar. 11, 2016, now Pat. No. Des. 795,412.

(51) **LOC (11) Cl.** **23-04**

(52) **U.S. Cl.**
USPC **D23/377; D26/59**

(58) **Field of Classification Search**
USPC D23/377, 387, 411-414, 499; 416/1, 5, 416/170 R, 214 R, 184, 206, 207, 210 R, 416/220 R, 244 R, 248; 392/364; D26/59, 51, 72, 73, 80-86, 88, 90
CPC F04D 25/088; F04D 29/601; F04D 29/322; F04D 29/324; F21V 33/0096
See application file for complete search history.

(56) **References Cited**

U.S. PATENT DOCUMENTS

D329,087 S 9/1992 Markwardt
D372,080 S 7/1996 Dolan
D389,908 S 1/1998 Dolan

5,951,253 A 9/1999 Gajewski
6,171,060 B1 1/2001 Gajewski
D453,216 S 1/2002 Gajewski
D476,728 S 7/2003 Gajewski
D477,068 S 7/2003 Hsieh
D512,138 S 11/2005 Clymer
7,210,910 B1 5/2007 Parker et al.
D583,923 S 12/2008 Bucher et al.
D596,733 S 7/2009 Kihara
D596,734 S 7/2009 Kihara

(Continued)

Primary Examiner — Susan Bennett Hattan

Assistant Examiner — Marie D. Fast Horse

(74) *Attorney, Agent, or Firm* — Baker & McKenzie LLP

(57) **CLAIM**

The ornamental design for a combination ceiling fan and light fixture, as shown and described.

DESCRIPTION

FIG. 1 is a perspective view of a combination ceiling fan and light fixture in accordance with my design, shown without the down rod and canopy for clarity;

FIG. 2 is a top plan view of the combination ceiling fan and light fixture in accordance with my design;

FIG. 3 is a bottom plan view of the combination ceiling fan and light fixture in accordance with my design as shown in FIG. 1;

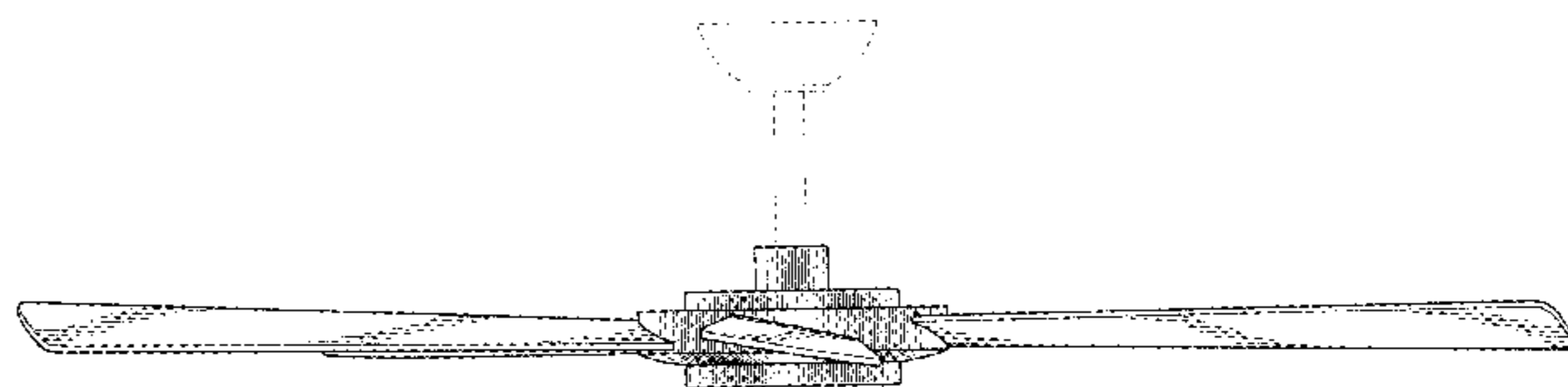
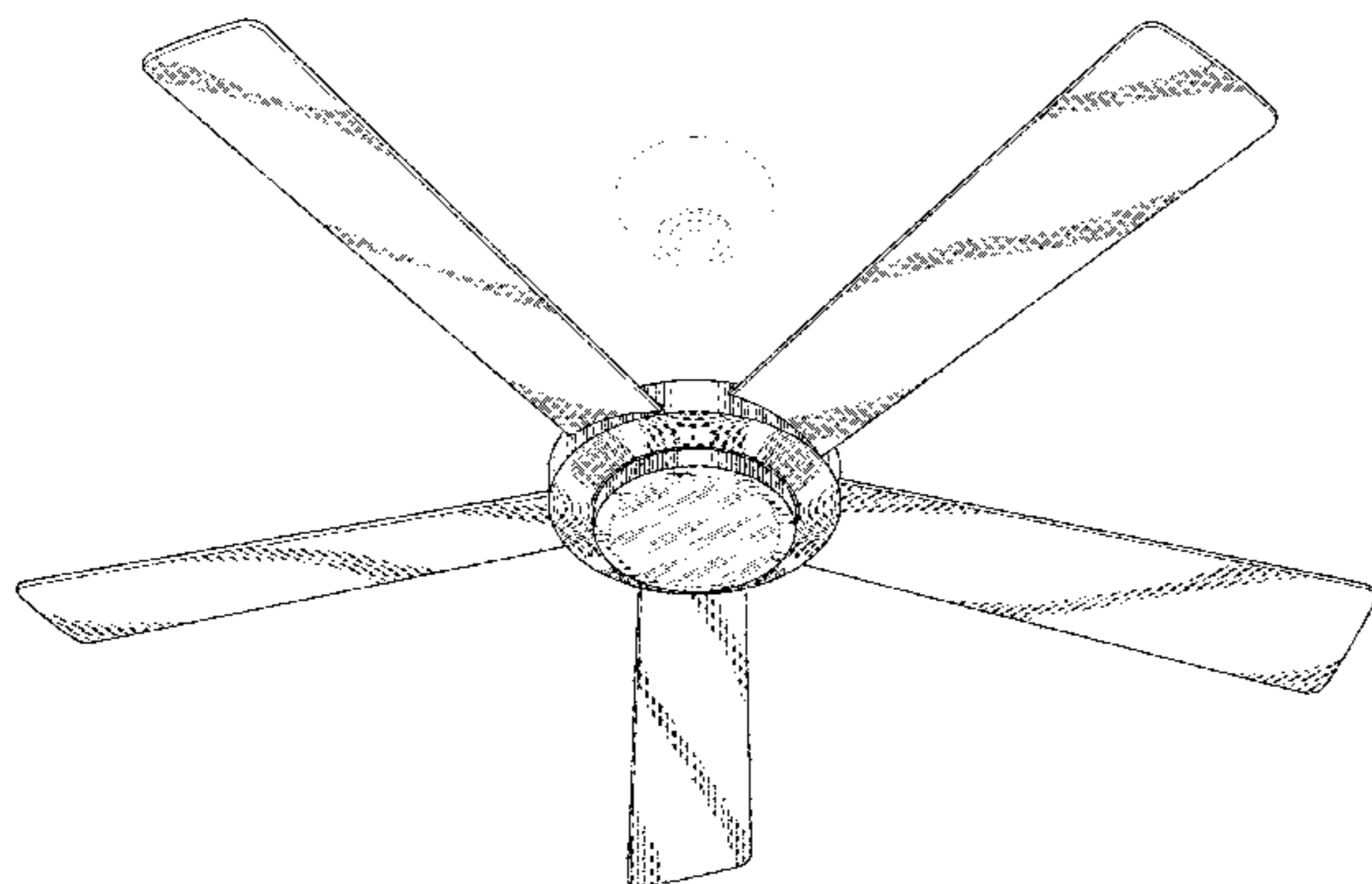
FIG. 4 is a front elevation view of the combination ceiling fan and light fixture in accordance with my design;

FIG. 5 is a rear elevation view of the combination ceiling fan and light fixture in accordance with my design;

FIG. 6 is a left-side elevation view of the combination ceiling fan and light fixture in accordance with my design; and,

FIG. 7 is a right-side elevation view of the combination ceiling fan and light fixture in accordance with my design. The broken-line disclosure of elements is understood to represent portions of the article in which the design is embodied, but which form no part of the claimed design.

1 Claim, 5 Drawing Sheets



(56)

References Cited

U.S. PATENT DOCUMENTS

D599,461	S	9/2009	Ertze	
D603,955	S	11/2009	Patton	
D627,053	S	11/2010	Pan	
D628,688	S	12/2010	Pan	
D628,722	S	12/2010	Yamamoto	
D647,227	S	10/2011	Kaule	
D652,537	S	1/2012	Wada	
D663,829	S	7/2012	Allen et al.	
D705,970	S	5/2014	Ertze	
D706,970	S	6/2014	Wang	
D707,336	S	6/2014	Pan	
D714,471	S	9/2014	Nojiri	
D715,917	S	10/2014	Hidalgo	
D717,935	S	11/2014	Strecker et al.	
D719,252	S	12/2014	Allen et al.	
D745,956	S	12/2015	Ertze	
D756,501	S	5/2016	Park	
D795,412	S *	8/2017	Schulzman D23/377
D804,646	S *	12/2017	Schulzman D23/411
2010/0314941	A1	12/2010	Schulzman	

* cited by examiner

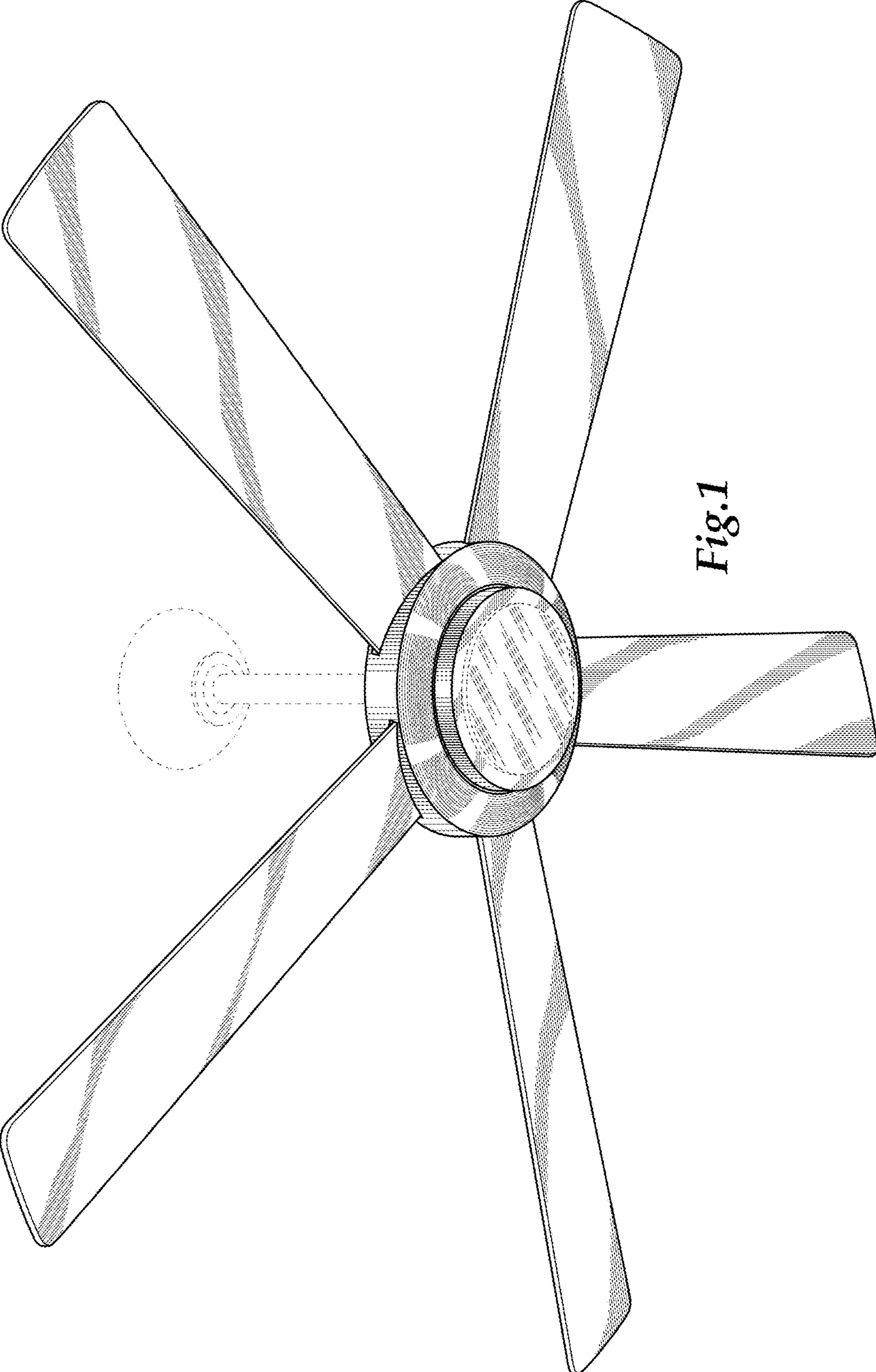


Fig. 1

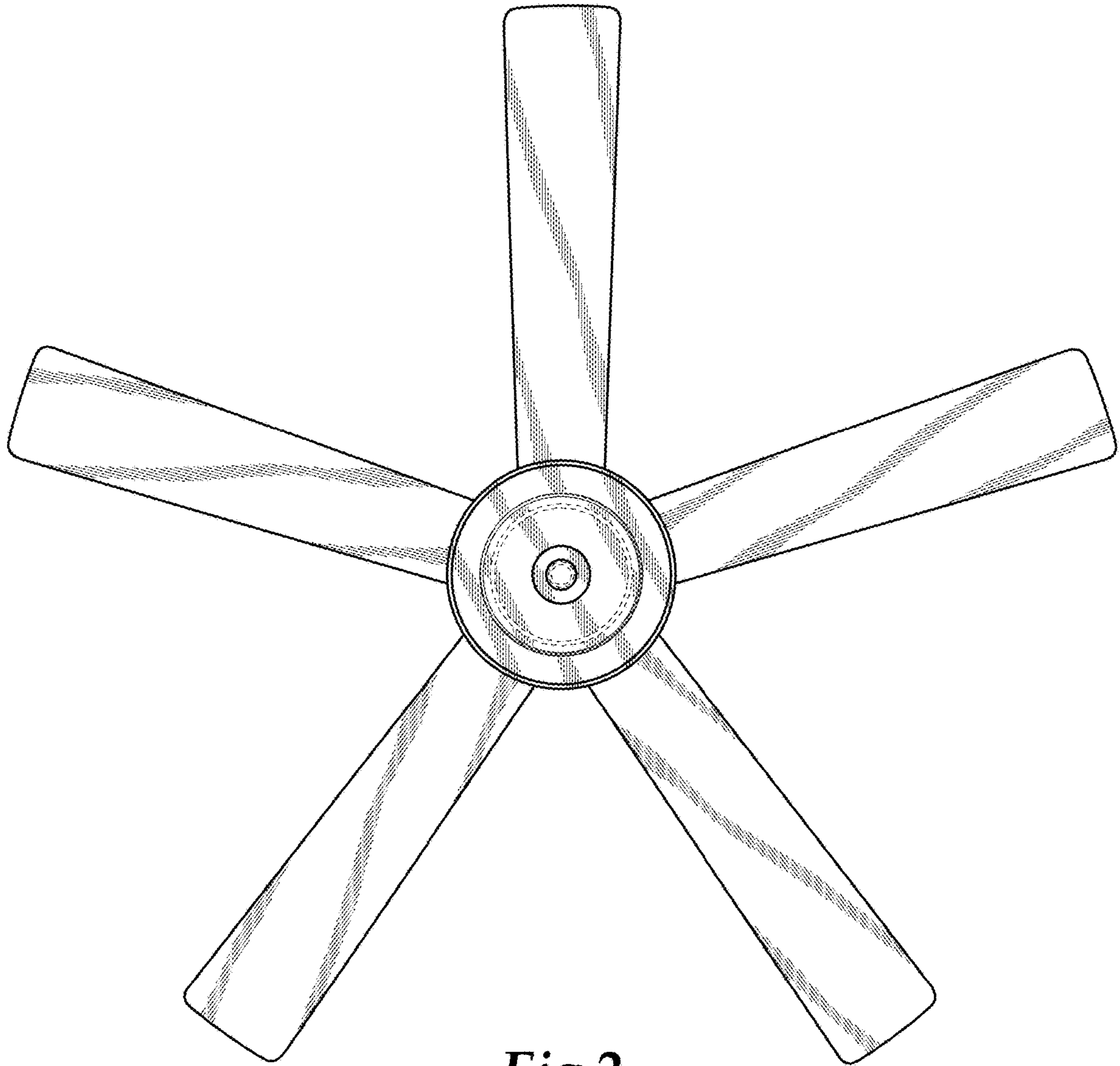


Fig.2

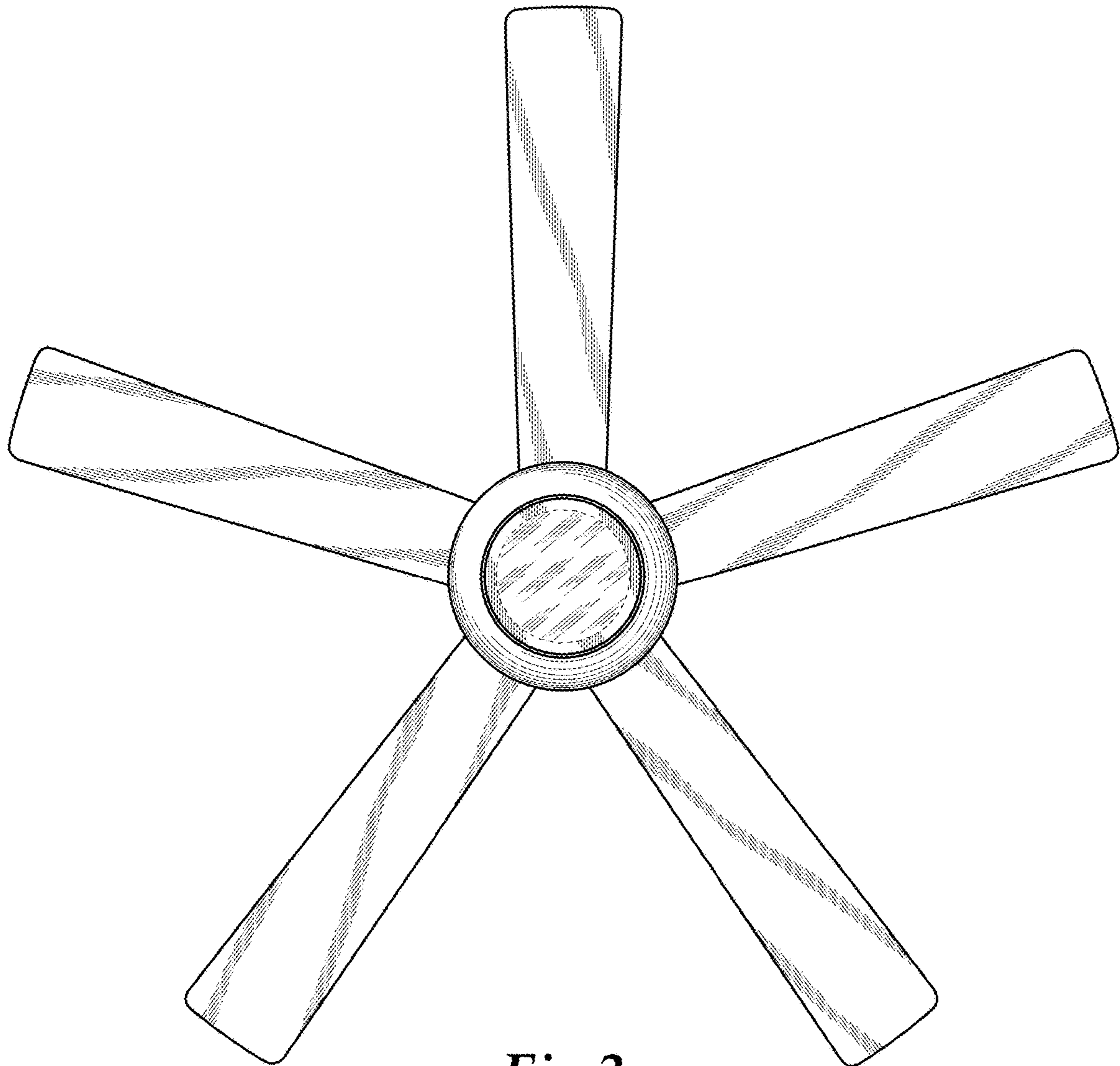


Fig.3

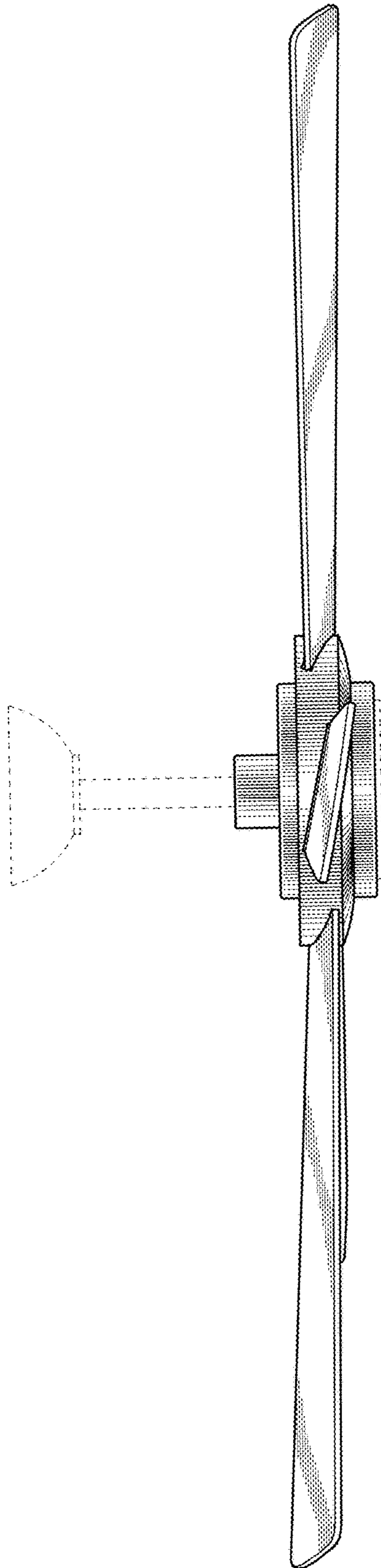


Fig. 4

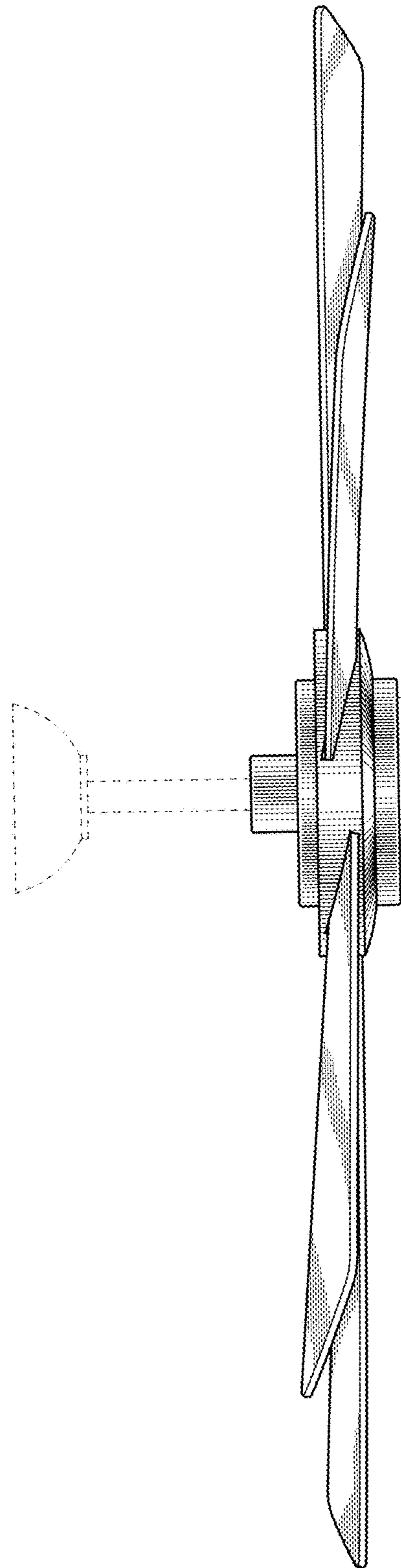


Fig. 5

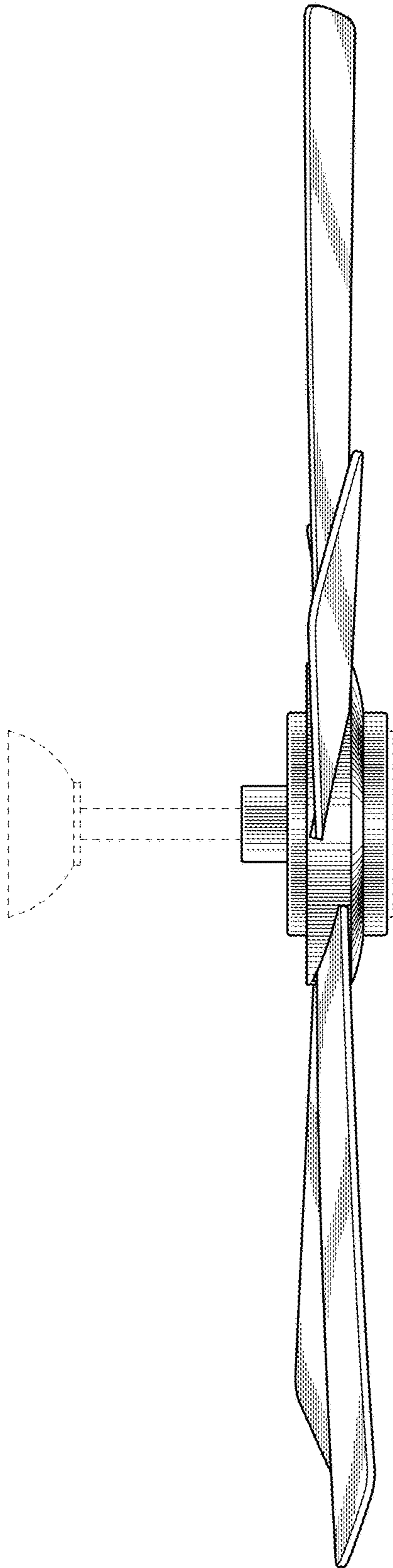


Fig. 6

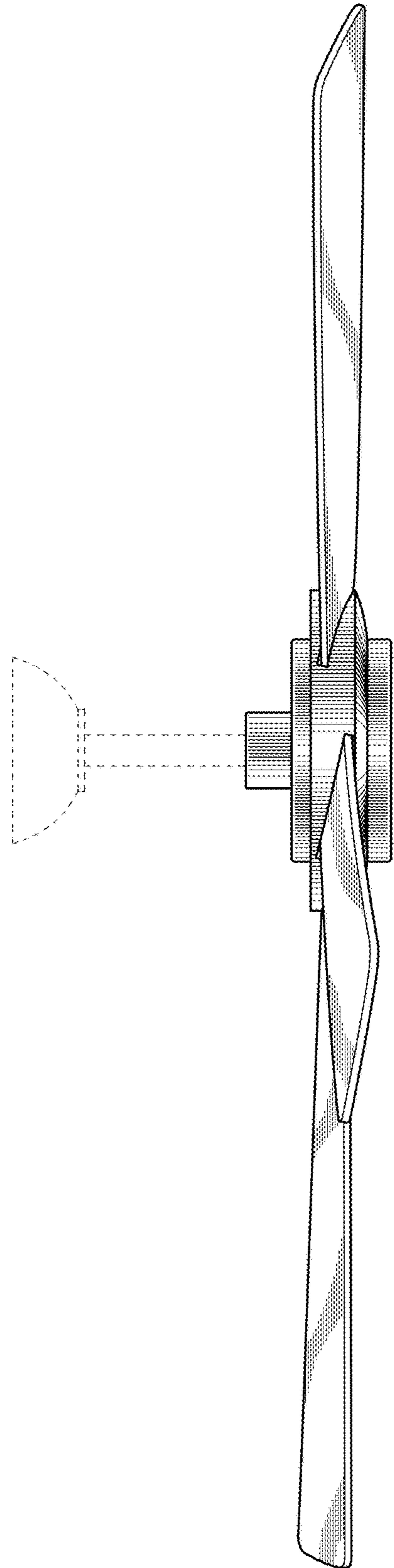


Fig. 7