



US00D831183S

(12) **United States Design Patent** (10) **Patent No.:** **US D831,183 S**
Mecker et al. (45) **Date of Patent:** **** Oct. 16, 2018**

(54) **VOLATILE MATERIAL DISPENSER**

(71) Applicant: **S. C. Johnson & Son, Inc.**, Racine, WI (US)

(72) Inventors: **Alex Mecker**, Milwaukee, WI (US);
Jason K. Stanbro, Sturtevant, WI (US);
Gregory G. Pieper, Spring Grove, IL (US)

(73) Assignee: **S. C. JOHNSON & SON, INC.**, Racine, WI (US)

(**) Term: **15 Years**

(21) Appl. No.: **29/580,381**

(22) Filed: **Oct. 7, 2016**

(51) **LOC (11) Cl.** **28-99**

(52) **U.S. Cl.**
USPC **D23/366**

(58) **Field of Classification Search**
USPC D23/355-370, 386-388; D14/214-216
CPC Y10T 428/1366; B32B 2597/00; B01D 46/00; B01D 46/0004; B01D 27/04
See application file for complete search history.

(56) **References Cited**

U.S. PATENT DOCUMENTS

D304,299 S	10/1989	Sakamoto	
D315,202 S	3/1991	Kunze	
D336,034 S	6/1993	Rebilas	
D407,640 S	4/1999	Nelson et al.	
D445,674 S	7/2001	Pritchett	
D469,348 S	1/2003	Demus et al.	
D486,213 S	2/2004	Novak	
D513,433 S	1/2006	Lemaire	
D520,130 S	5/2006	Miro	
D525,352 S	7/2006	Lemaire	
D532,893 S *	11/2006	Wu	D23/366
D535,734 S *	1/2007	Caserta	D23/366
D547,852 S *	7/2007	Wu	D23/366

D556,603 S	12/2007	Barnes et al.	
D557,396 S	12/2007	Cheng	
D564,650 S	3/2008	Hasik et al.	
D586,900 S *	2/2009	Weggelaar	D23/366
D620,809 S	8/2010	Caldwell et al.	
D623,073 S	9/2010	Caldwell et al.	

(Continued)

FOREIGN PATENT DOCUMENTS

EM	001292627-0001	9/2011
EM	002005181-0001	3/2012

(Continued)

Primary Examiner — Brandon M Rosati

Assistant Examiner — John A Voytek

(74) *Attorney, Agent, or Firm* — Quarles & Brady LLP

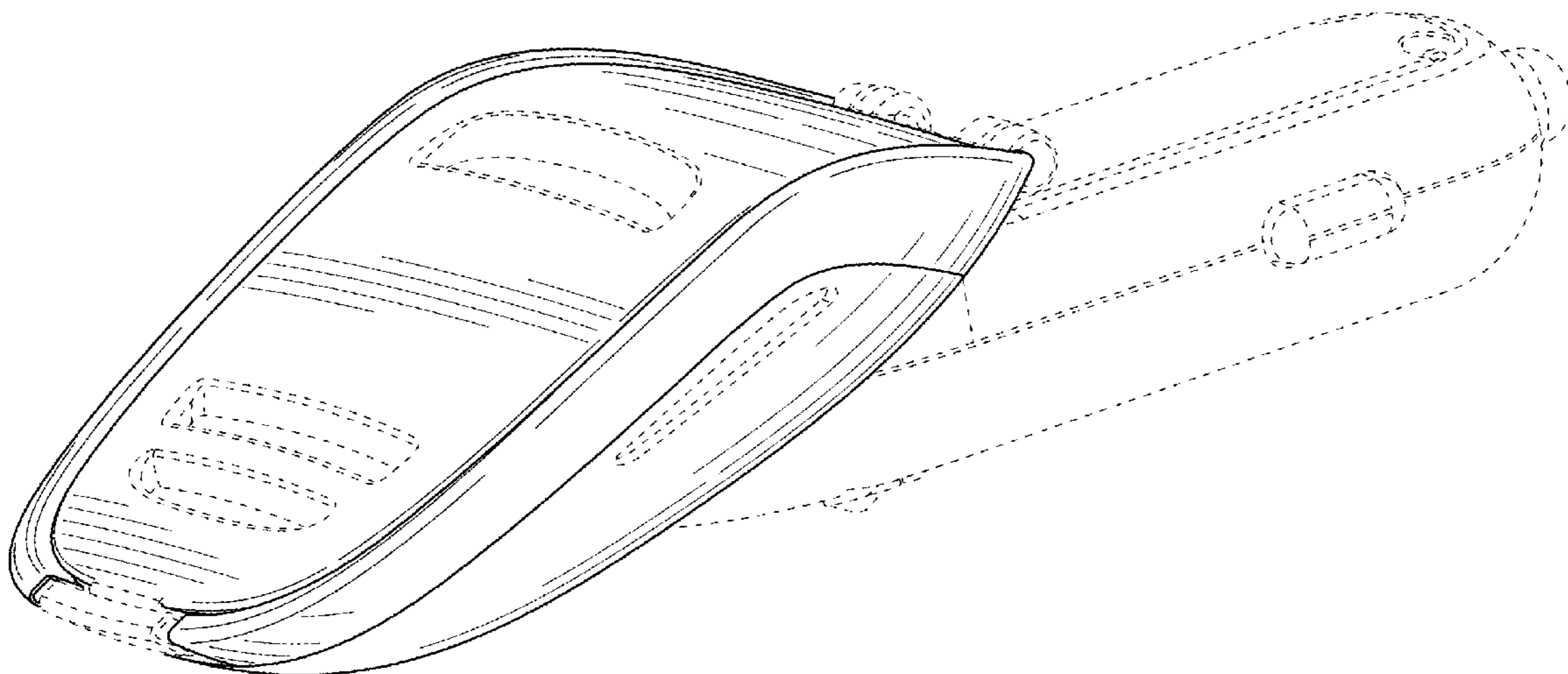
(57) **CLAIM**

The ornamental design for a volatile material dispenser, as shown and described.

DESCRIPTION

FIG. 1 is an isometric view of a top, front, and right side of an ornamental design for a volatile material dispenser; FIG. 2 is a front elevational view of the volatile material dispenser of FIG. 1; FIG. 3 is a rear elevational view of the volatile material dispenser of FIG. 1; FIG. 4 is a right side elevational view of the volatile material dispenser of FIG. 1; FIG. 5 is a left side elevational view of the volatile material dispenser of FIG. 1; FIG. 6 is a top plan view of the volatile material dispenser of FIG. 1; and, FIG. 7 is a bottom plan view of the volatile material dispenser of FIG. 1. The dash-dash-dash broken lines are included for the purpose of illustrating portions that form no part of the claimed design.

1 Claim, 4 Drawing Sheets



(56)

References Cited

U.S. PATENT DOCUMENTS

D625,797 S	*	10/2010	Poves	D23/366	EM	002678821-0022	4/2015
D628,285 S	*	11/2010	Fabregas	D23/366	EM	003814508-0001	3/2017
D629,500 S	*	12/2010	Koenig	D23/368	EM	003814508-0002	3/2017
D631,954 S	*	2/2011	Bertassi	D23/366	EM	003814508-0003	3/2017
D632,566 S		2/2011	Caldwell et al.		EM	003847151-0001	4/2017
D632,569 S		2/2011	Caldwell et al.		EM	003847151-0002	4/2017
D634,643 S		3/2011	Caldwell et al.		EM	003847151-0003	4/2017
D648,018 S	*	11/2011	Sordo	D23/366	EM	003847151-0004	4/2017
D663,816 S	*	7/2012	Tebe Poves	D23/366	EM	003847151-0005	4/2017
D680,208 S		4/2013	Gordon		EM	003847151-0006	4/2017
D680,882 S		4/2013	Logue		EM	003847151-0007	4/2017
D685,076 S		6/2013	Gordon		EM	003847151-0008	4/2017
D686,922 S		7/2013	Davis et al.		EM	003847177-0001	4/2017
D694,382 S	*	11/2013	Brandenburg	D23/366	EM	003847177-0002	4/2017
D698,431 S	*	1/2014	Garbusi	D23/366	EM	003847177-0003	4/2017
D706,644 S		6/2014	Ruiz, Sr. et al.		EM	003847177-0004	4/2017
					EM	003847177-0005	4/2017
					EM	003847177-0006	4/2017
					EM	003847177-0007	4/2017
					EM	003847177-0008	4/2017

FOREIGN PATENT DOCUMENTS

EM 002678821-0021 4/2015

* cited by examiner

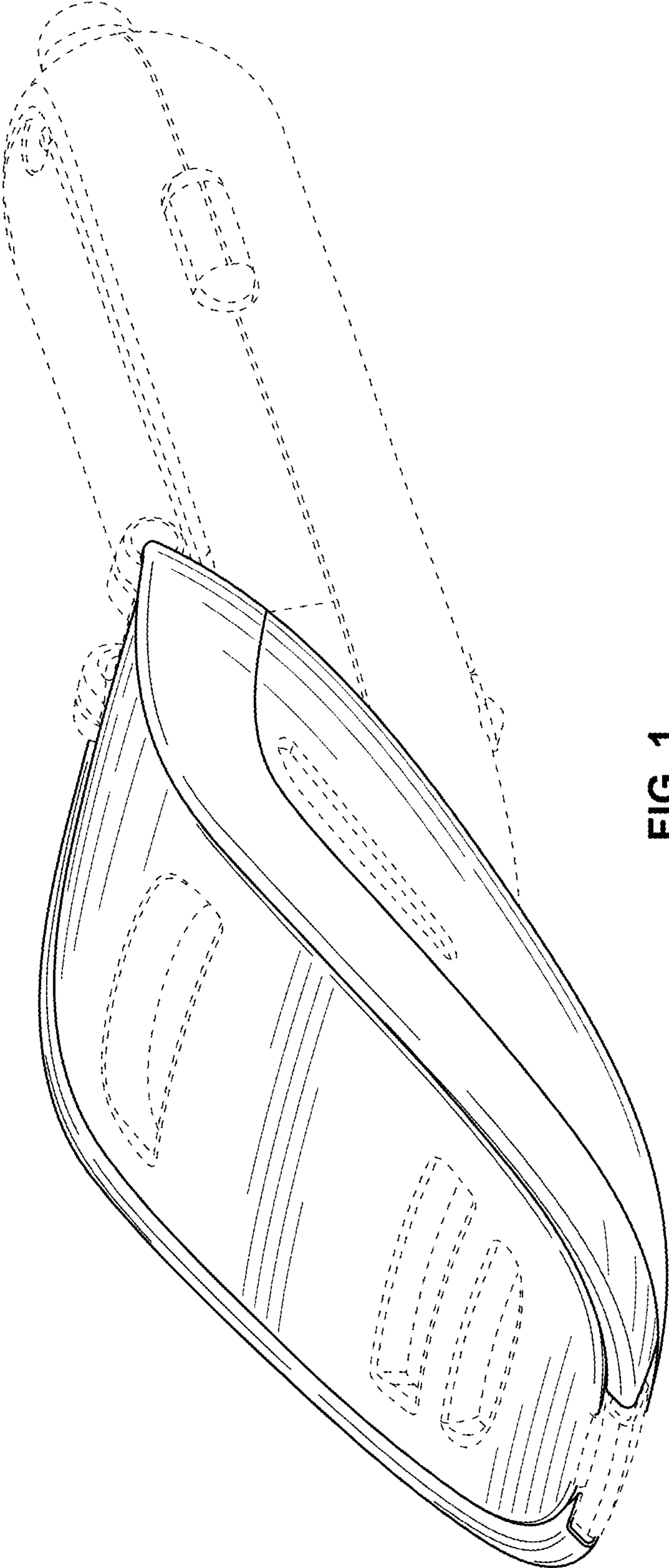


FIG. 1

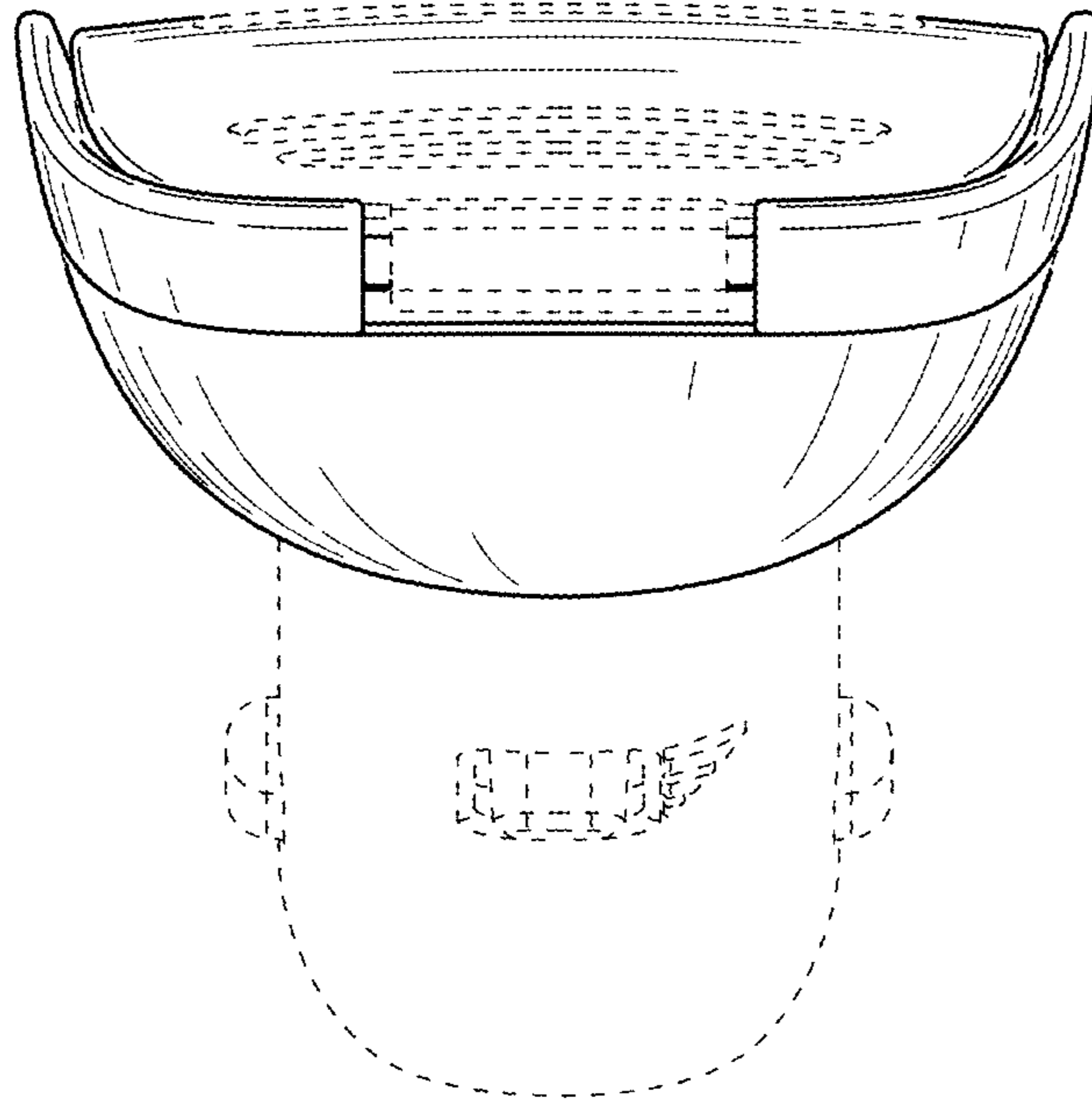


FIG. 2

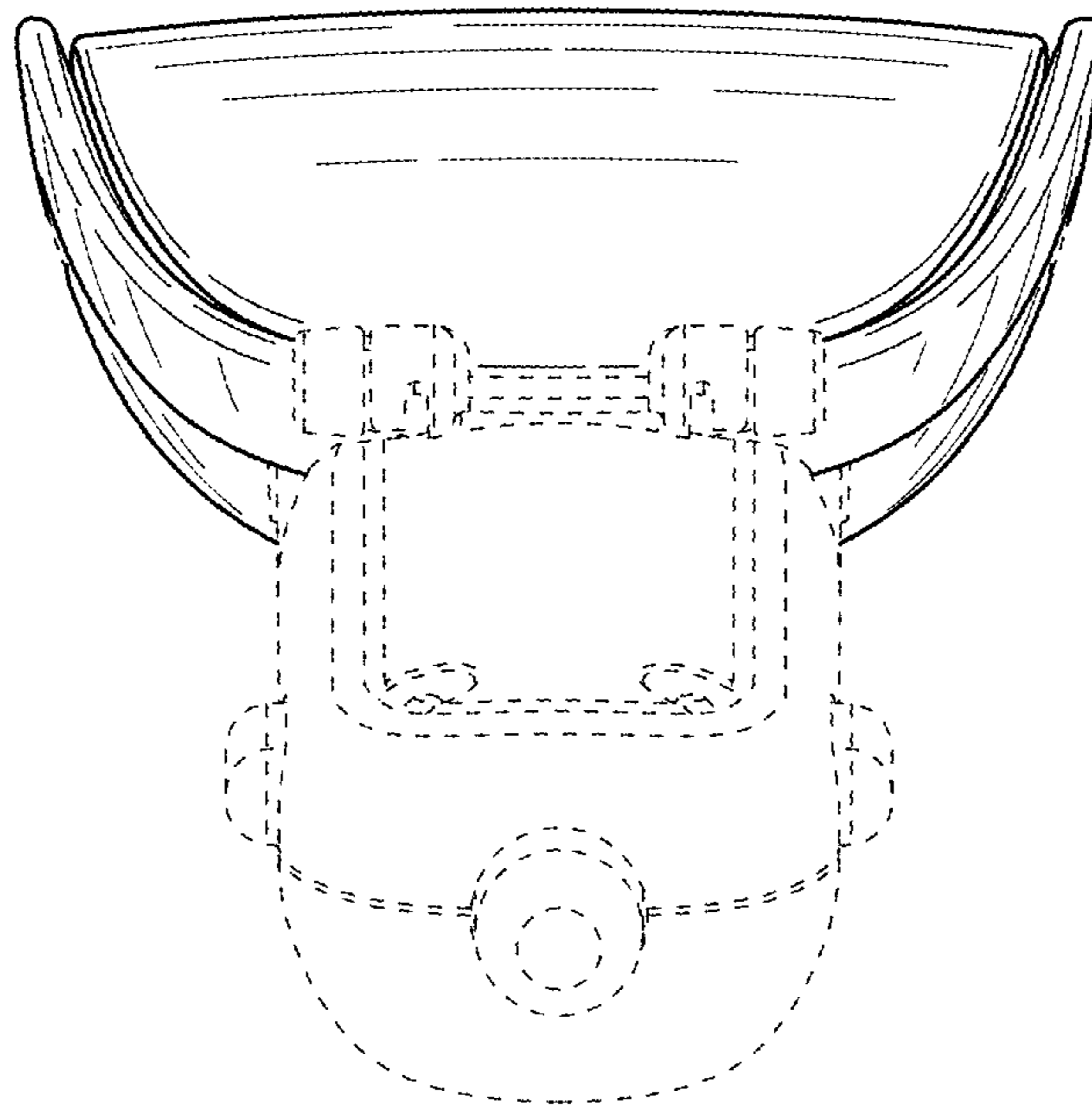
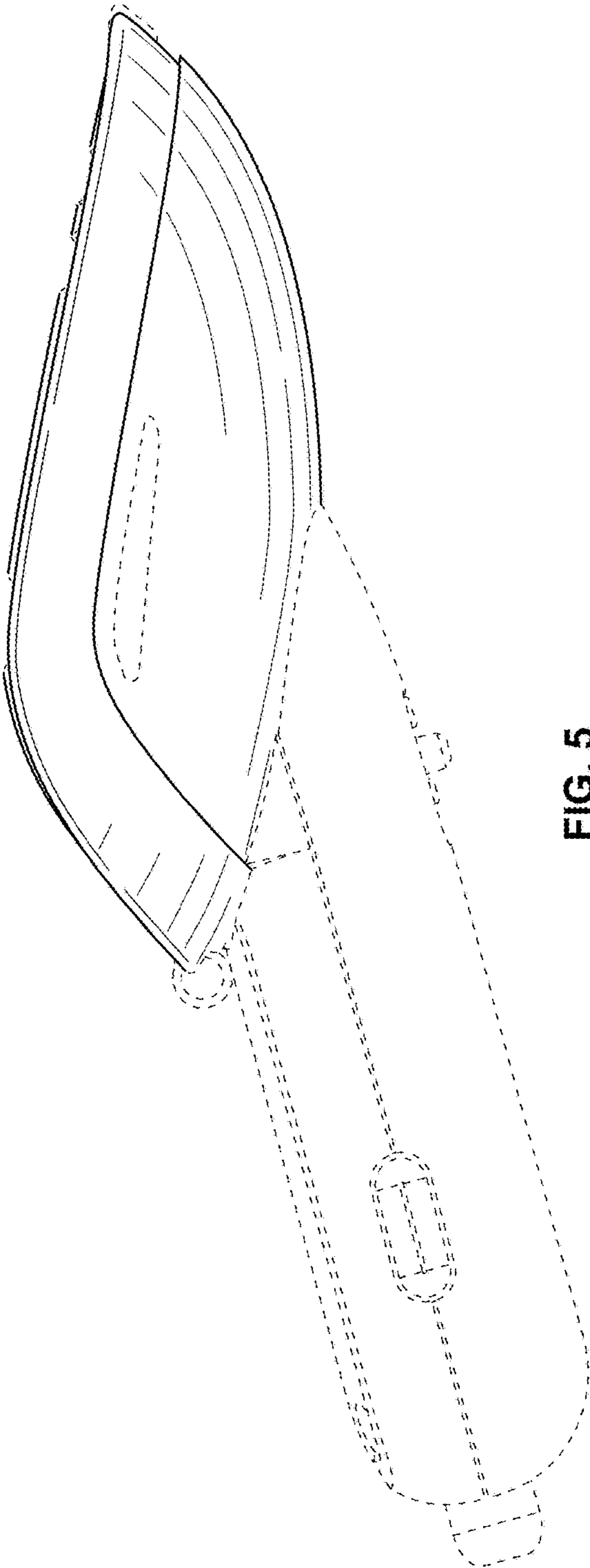
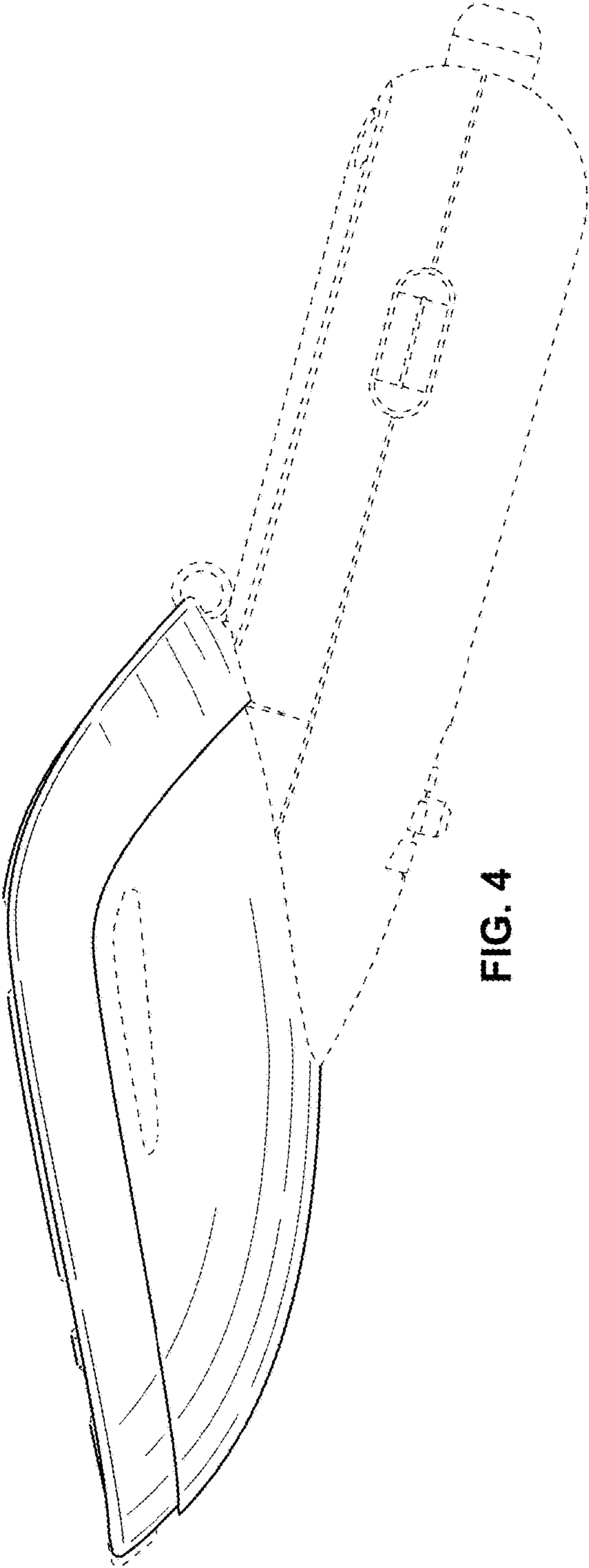


FIG. 3



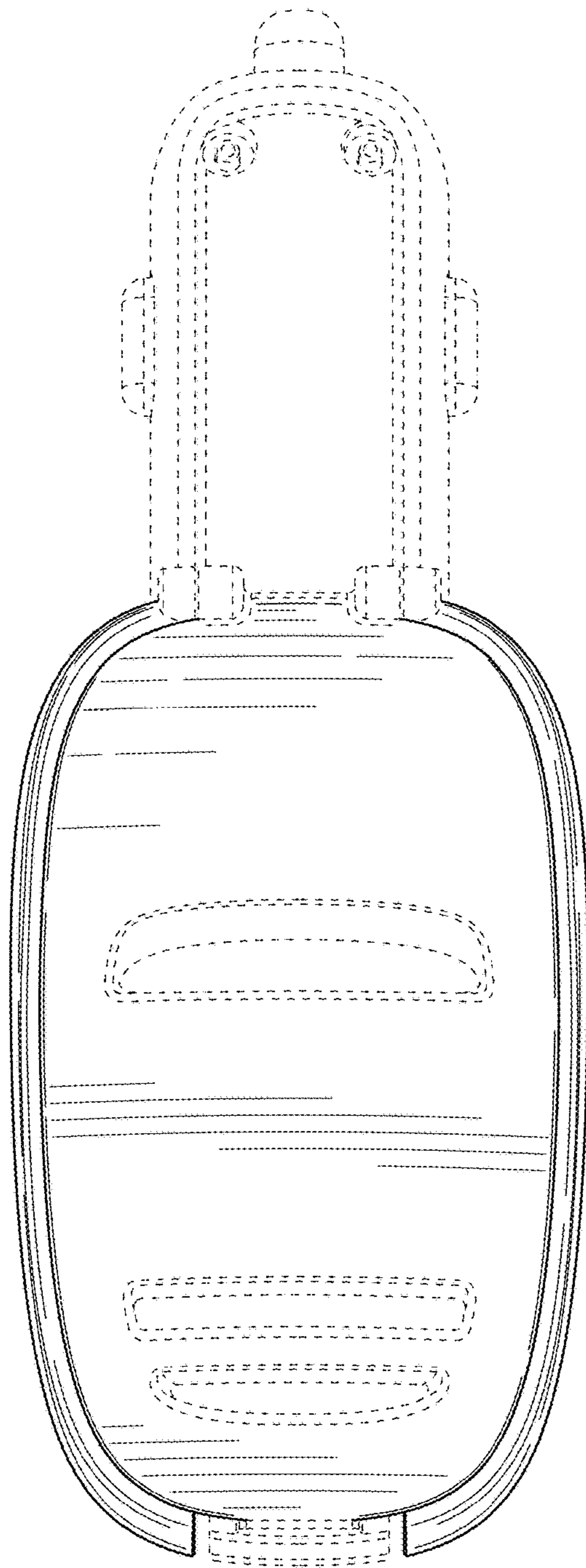


FIG. 6

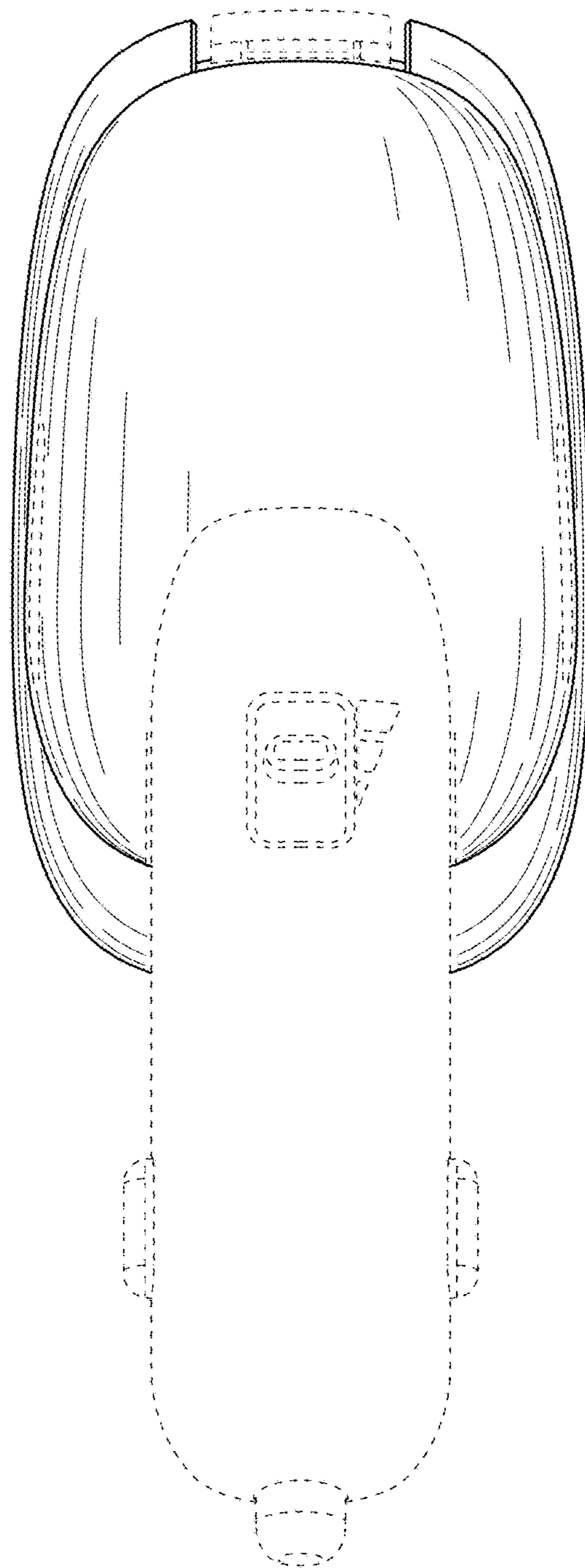


FIG. 7