



US00D831181S

(12) **United States Design Patent** (10) **Patent No.:** **US D831,181 S**
Suarez et al. (45) **Date of Patent:** **** Oct. 16, 2018**

(54) **CLIMATE CONTROL DEVICE** 8,768,151 B2 * 7/2014 Tai F24H 9/0057
 392/360
 (71) Applicants: **Benjamin Suarez**, North Canton, OH 9,194,606 B2 * 11/2015 Braathen F24H 9/02
 (US); **Joseph L. Florence**, Vienna, WV 9,541,304 B2 * 1/2017 Rissler F24H 9/02
 (US)

* cited by examiner

(72) Inventors: **Benjamin Suarez**, North Canton, OH
 (US); **Joseph L. Florence**, Vienna, WV
 (US) *Primary Examiner* — Antoine Duval Davis
 (74) *Attorney, Agent, or Firm* — Pearne & Gordon LLP

(73) Assignee: **SUAREZ CORPORATION**
INDUSTRIES, North Canton, OH (US)

(57) **CLAIM**

(**) Term: **15 Years**

I claim the ornamental design for a climate control device, as shown and described.

(21) Appl. No.: **29/582,778**

(22) Filed: **Oct. 31, 2016**

(51) **LOC (11) Cl.** **23-03**

(52) **U.S. Cl.**
USPC **D23/336**

(58) **Field of Classification Search**
USPC D10/46; D23/330, 332, 335, 336, 337,
D23/338, 339, 340

CPC F24H 9/0052; F24H 9/0057; F24H 9/0063;
F24H 9/0068; F24H 9/0073; F24H
9/0078; F24H 9/0084; F24H 9/0089;
F24H 9/0094; F24H 9/02

See application file for complete search history.

(56) **References Cited**

U.S. PATENT DOCUMENTS

D149,715 S * 5/1948 Wisting et al. D23/336
D343,231 S * 1/1994 Lim D23/336

DESCRIPTION

FIG. 1 is a perspective view of the device of the present invention.

FIG. 2 is a front elevational view of the device of the present invention.

FIG. 3 is a right side elevational view of the device of the present invention.

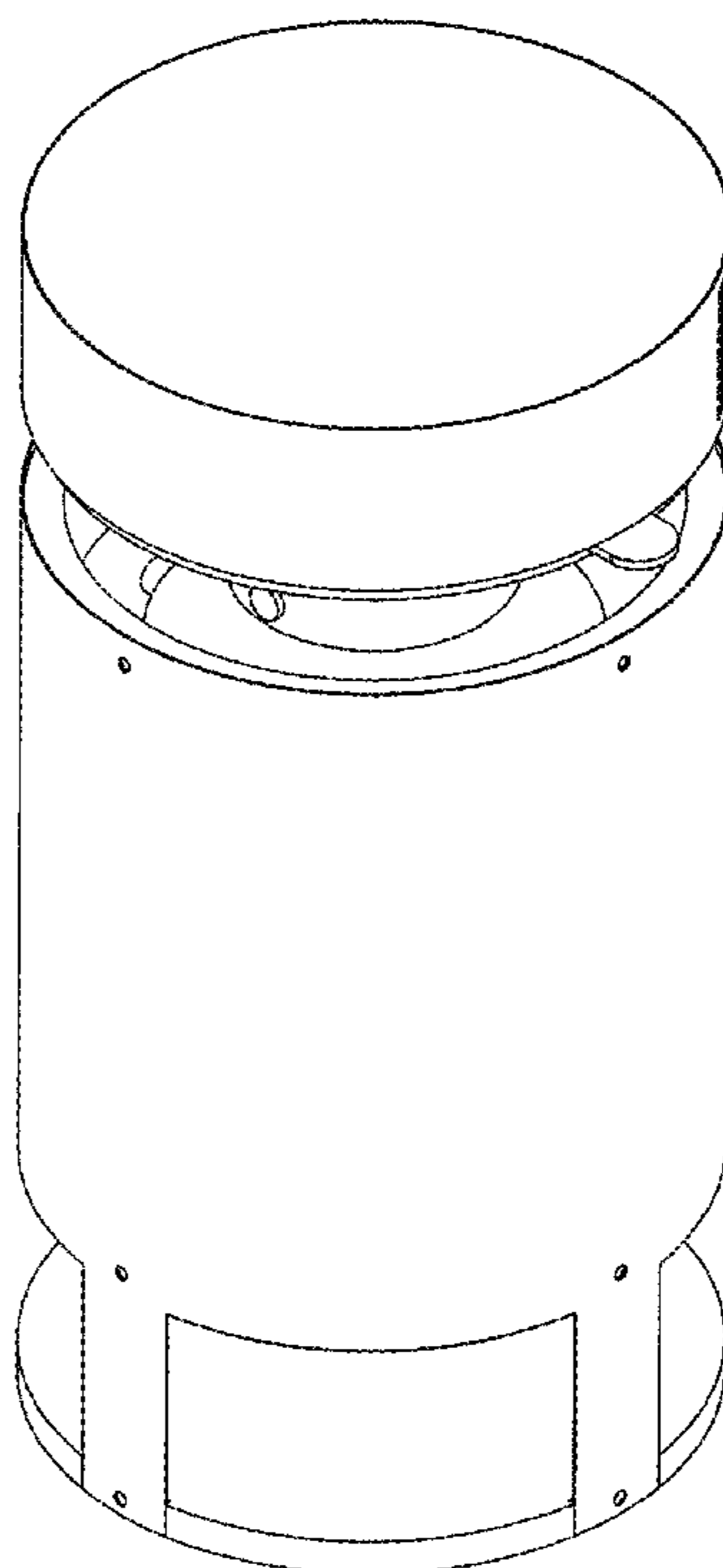
FIG. 4 is a left side elevational view of the device of the present invention.

FIG. 5 is a rear elevational view of the device of the present invention.

FIG. 6 is a top view of the device of the present invention; and,

FIG. 7 is a bottom view of the device of the present invention.

1 Claim, 7 Drawing Sheets



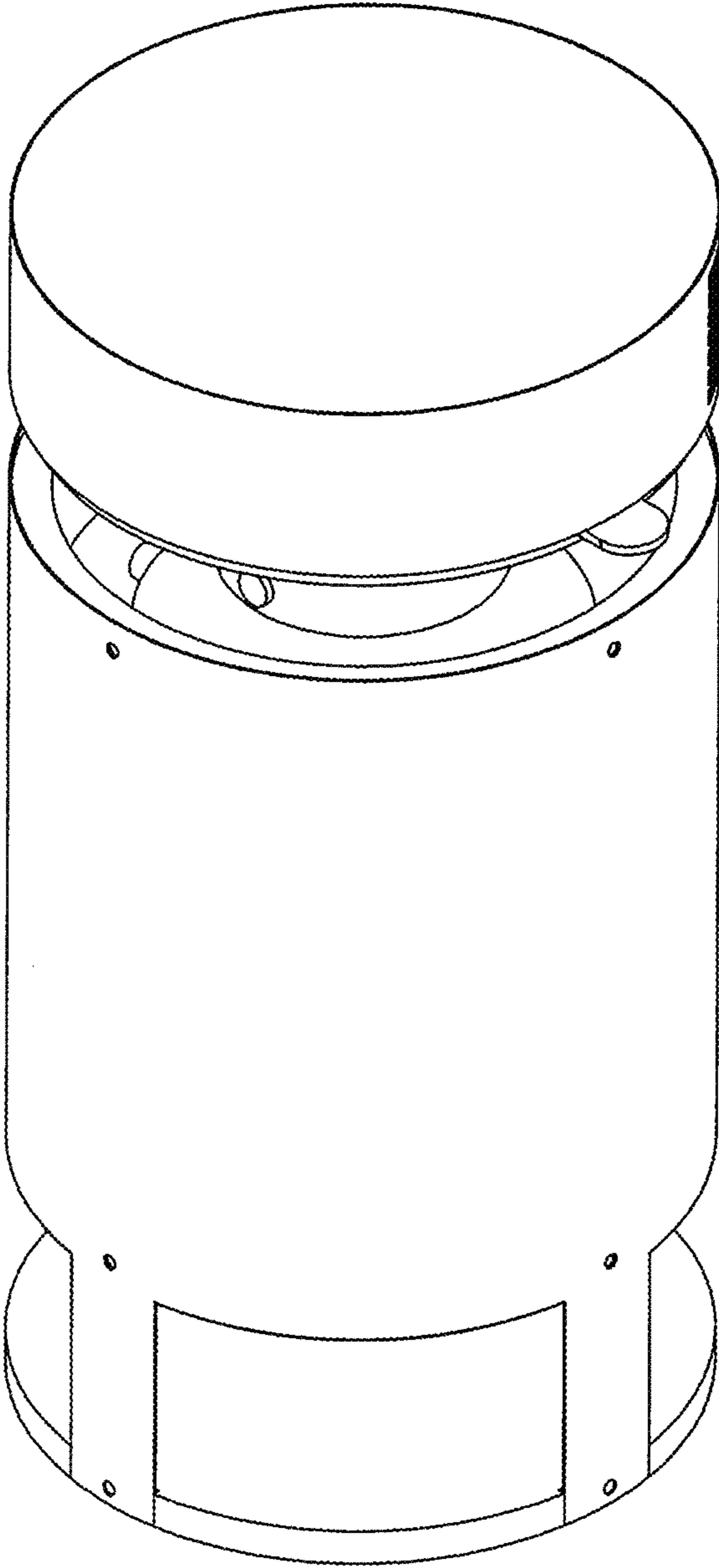


FIG. 1

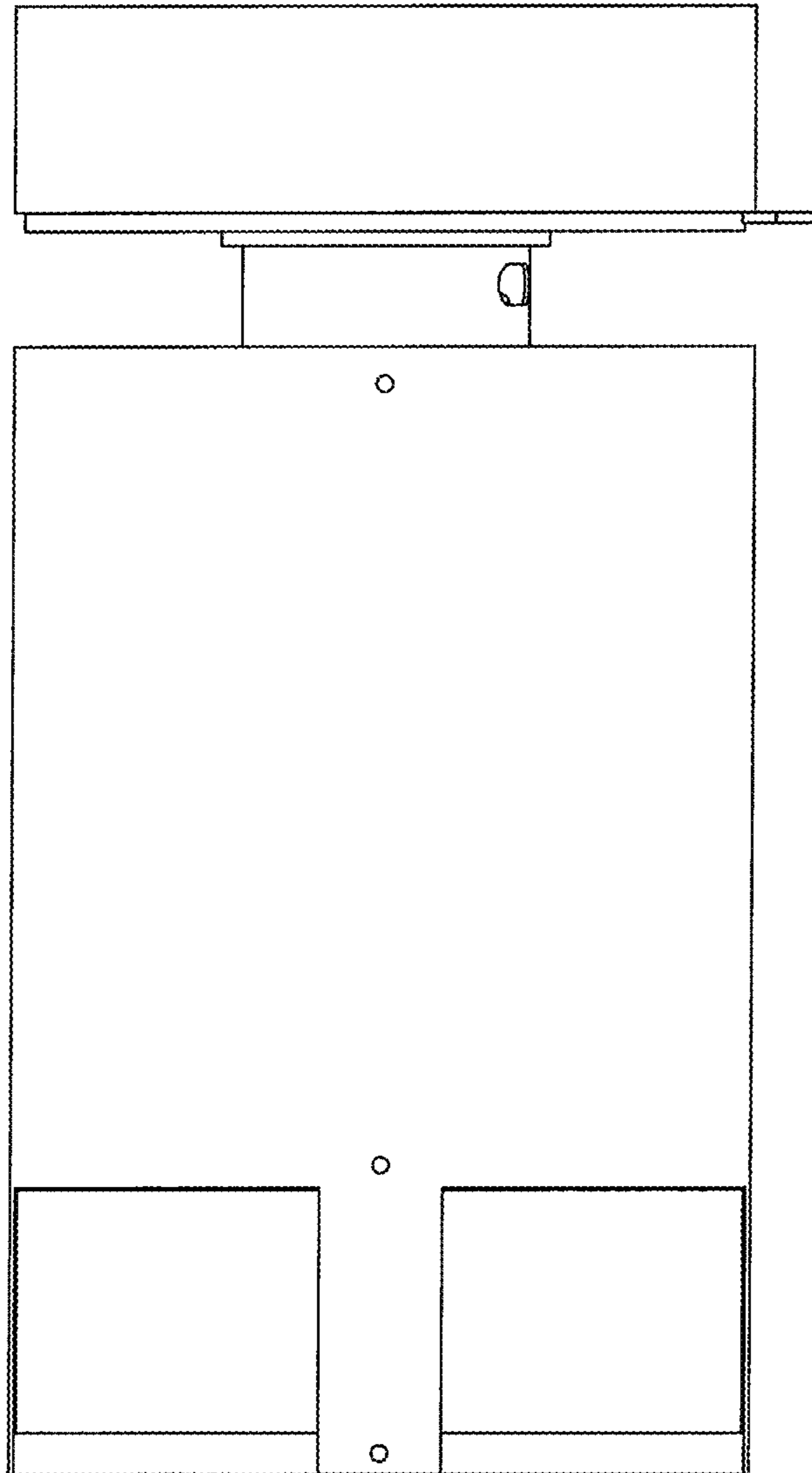


FIG. 2

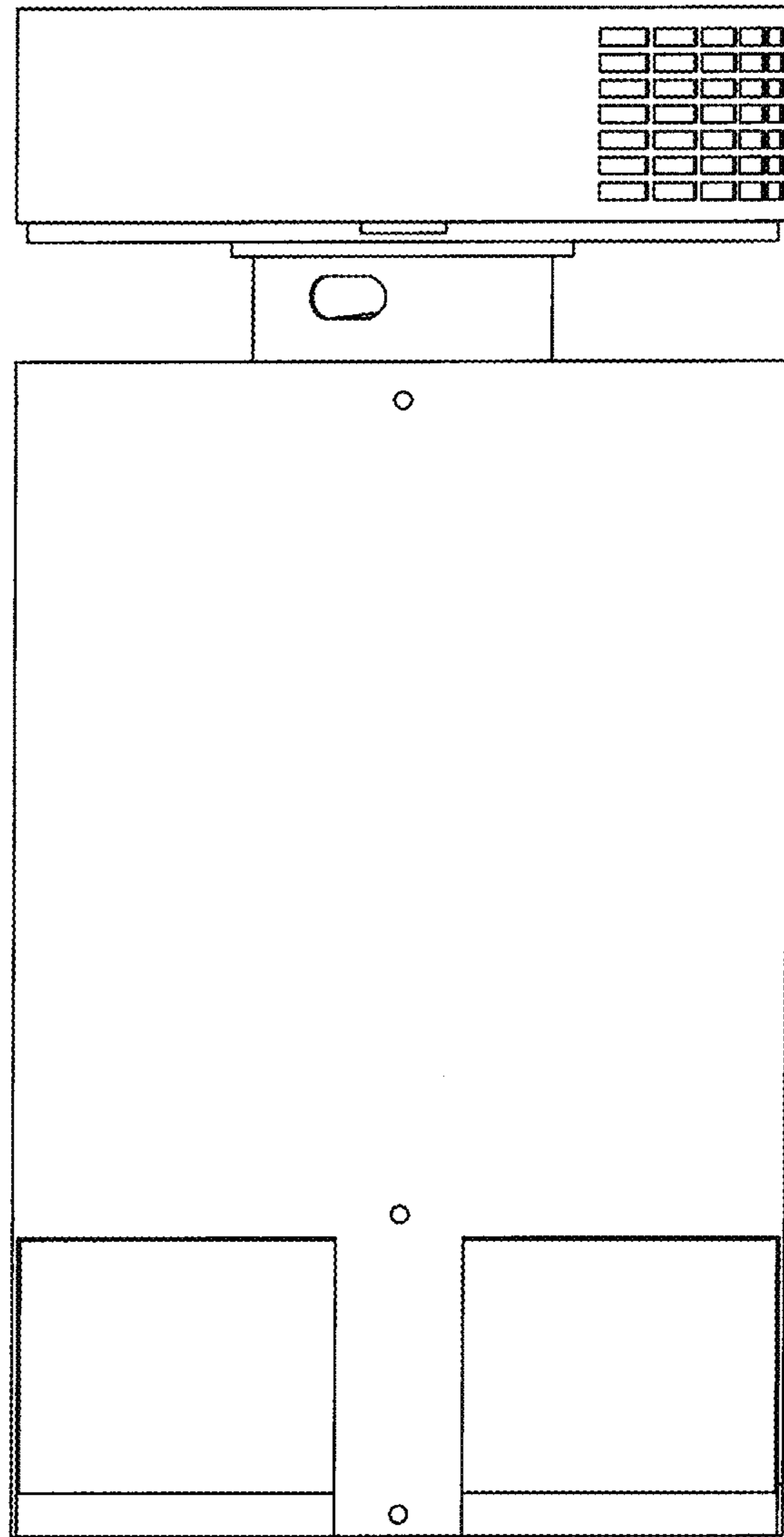


FIG. 3

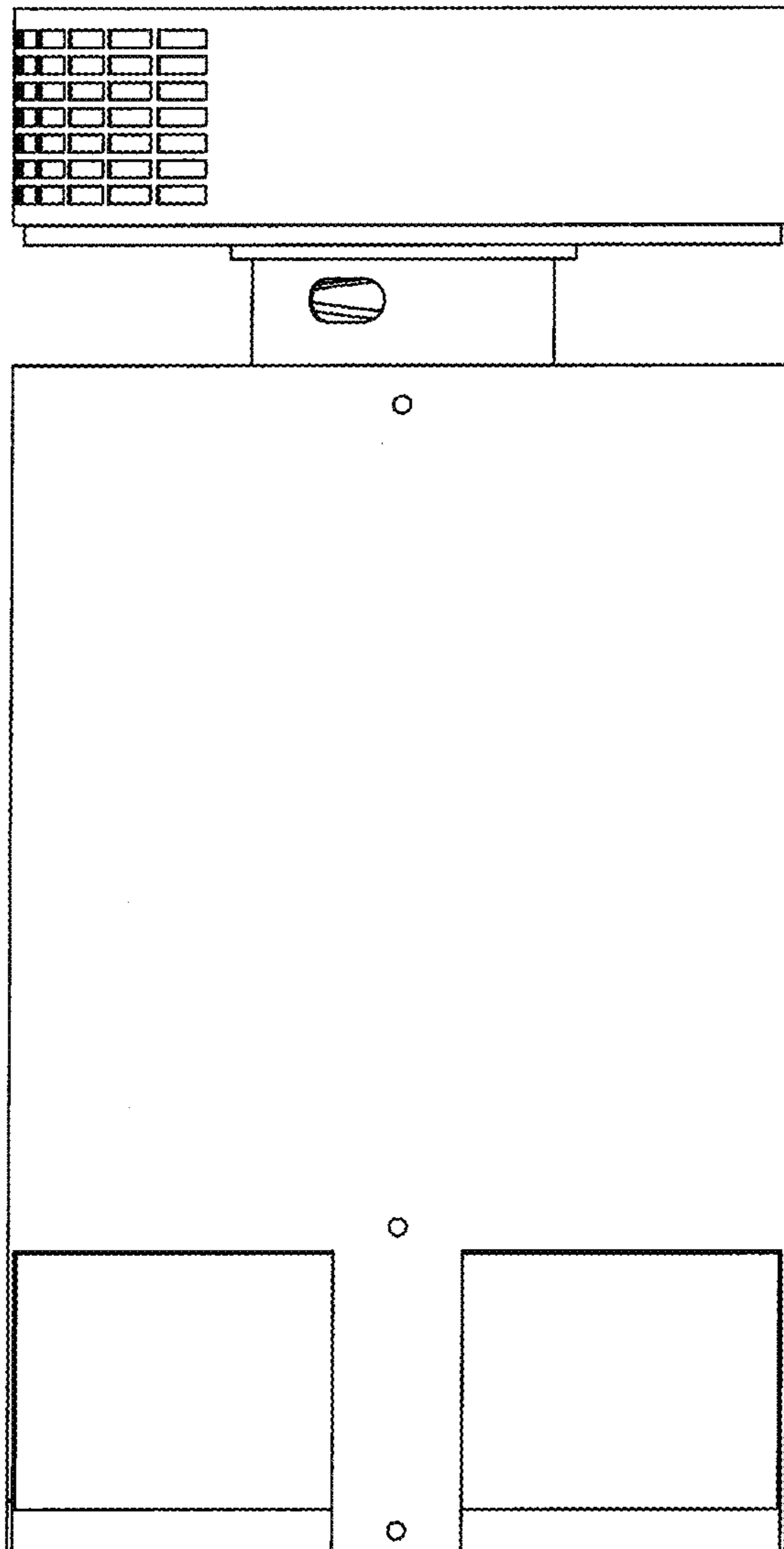


FIG. 4

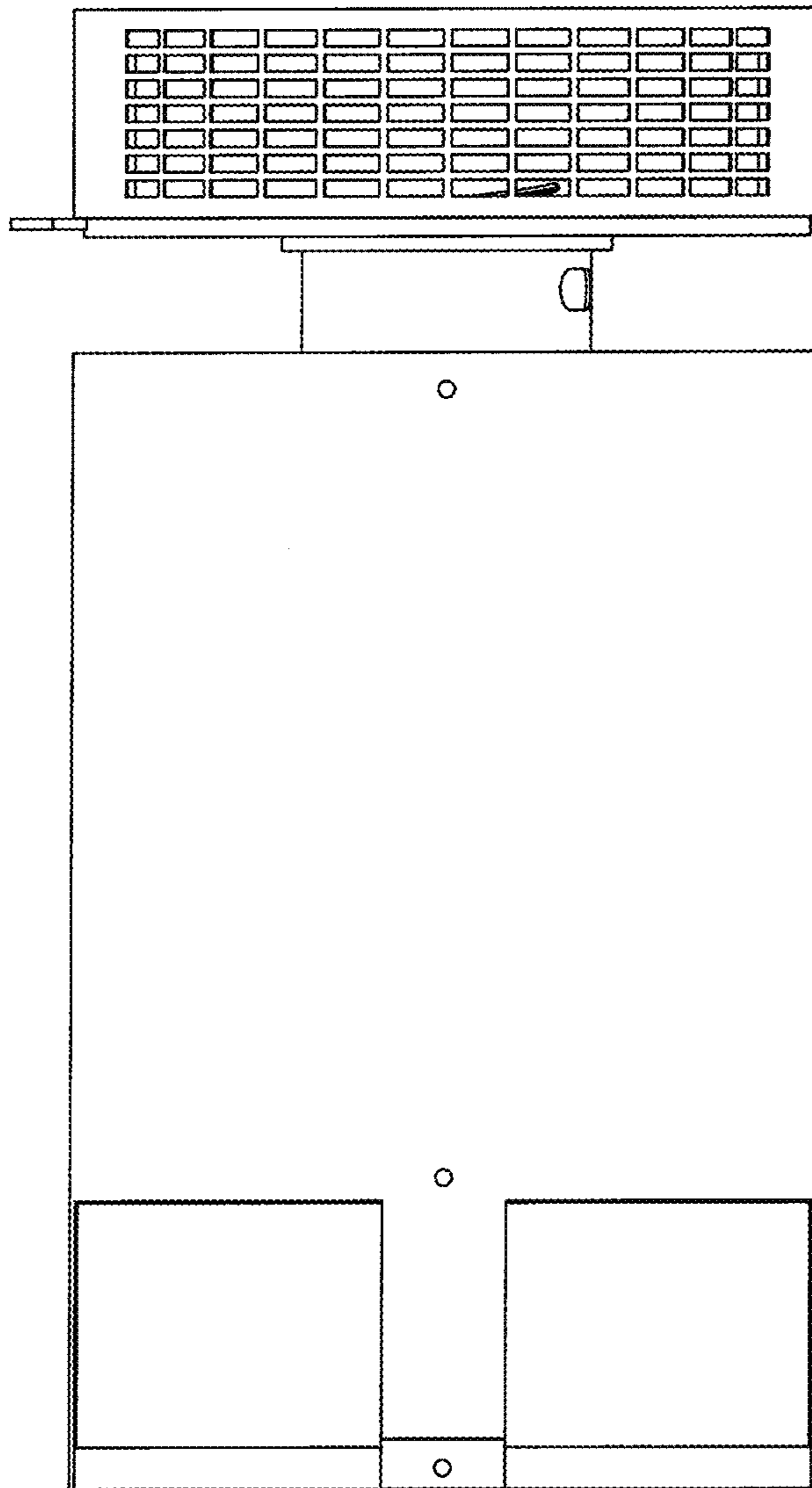


FIG. 5

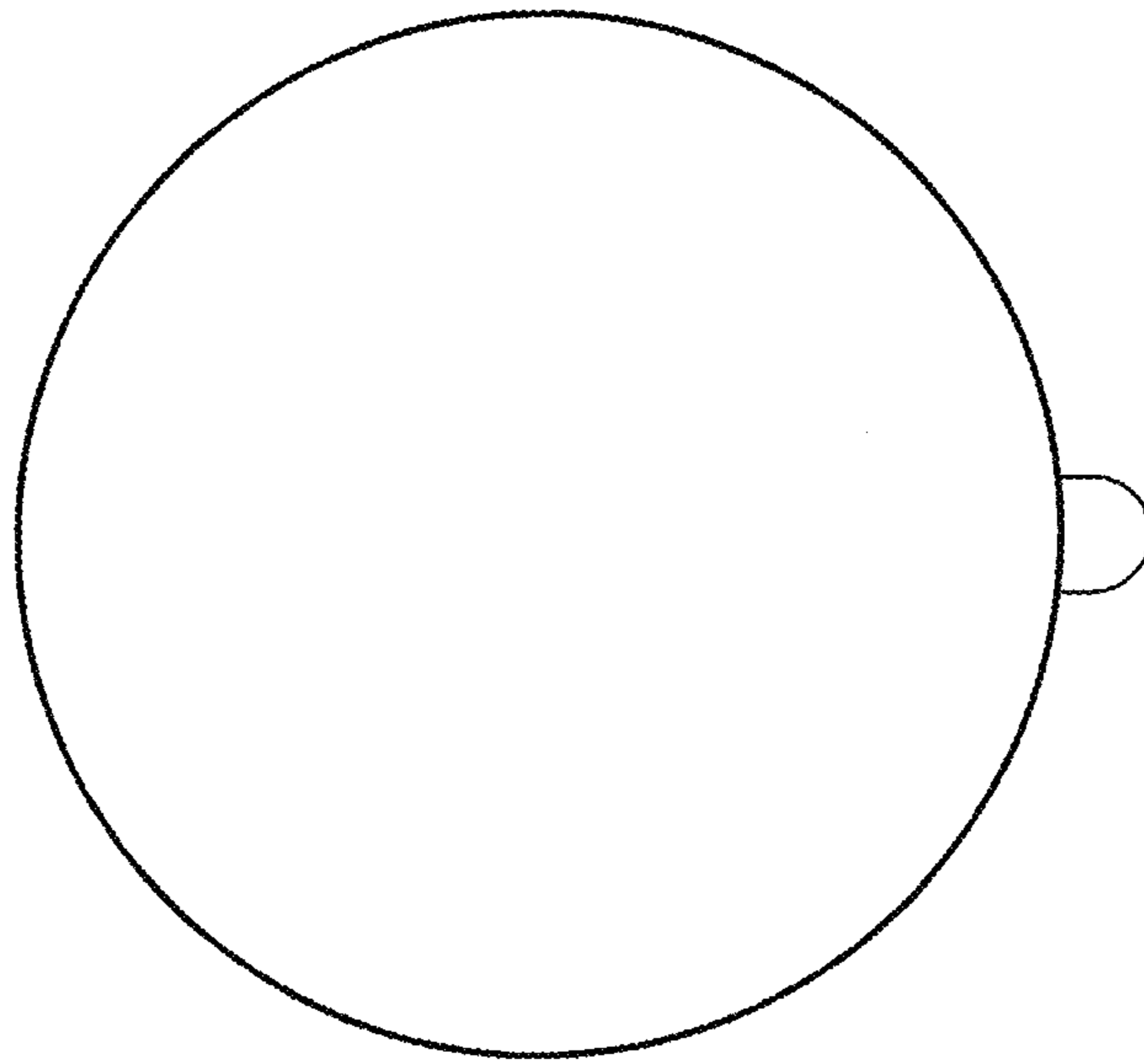


FIG. 6

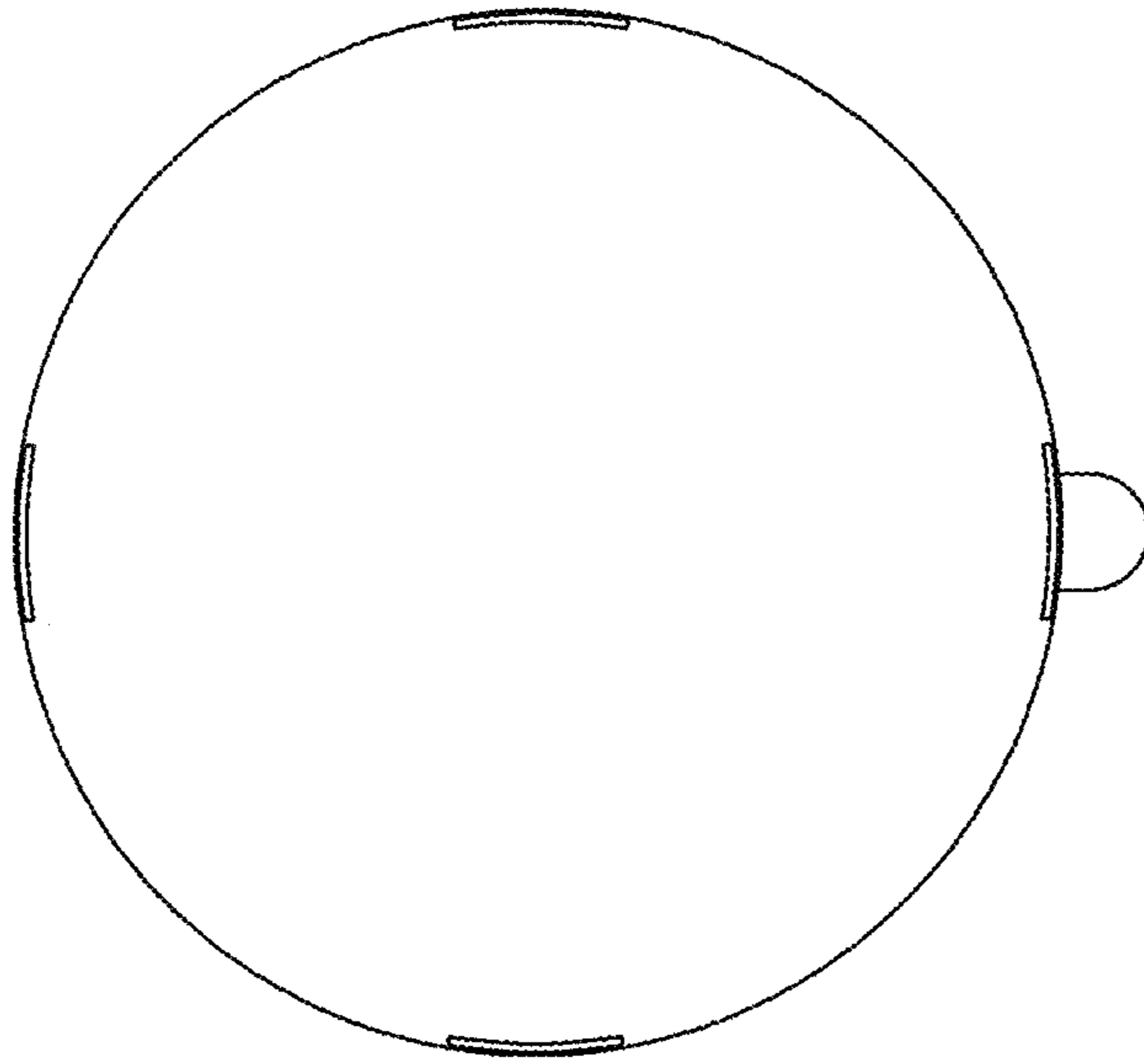


FIG. 7