



US00D831180S

(12) **United States Design Patent** (10) **Patent No.:** **US D831,180 S**
De' Longhi et al. (45) **Date of Patent:** **** Oct. 16, 2018**

(54) **HEATER**
(71) Applicant: **DE' LONGHI APPLIANCES S.R.L.**
CON UNICO SOCIO, Treviso (IT)
(72) Inventors: **Giuseppe De' Longhi**, Treviso (IT);
Mauro Cereser, San Dona' di Piave
(IT)
(73) Assignee: **DE' LONGHI APPLIANCES S.R.L.**
CON UNICO SOCIO, Treviso (IT)

D467,324 S * 12/2002 Ching D23/335
D467,325 S * 12/2002 Ching D23/335
D483,101 S * 12/2003 Ching D23/335
D574,937 S * 8/2008 Gao D23/317
D578,626 S * 10/2008 Gao D23/317
D578,627 S * 10/2008 Gao D23/314
D580,027 S * 11/2008 Gao D23/317
D593,659 S * 6/2009 Gao D23/317
D593,660 S * 6/2009 Gao D23/317
D593,661 S * 6/2009 Gao D23/317

(Continued)

Primary Examiner — T Chase Nelson
Assistant Examiner — Ania Aman
(74) *Attorney, Agent, or Firm* — Marshall, Gerstein &
Borun LLP

(**) Term: **15 Years**
(21) Appl. No.: **29/613,785**
(22) Filed: **Aug. 14, 2017**

(30) **Foreign Application Priority Data**

Feb. 15, 2017 (EM) 3754316-0010
Feb. 15, 2017 (EM) 3754316-0011

(51) **LOC (11) Cl.** **23-03**
(52) **U.S. Cl.**
USPC **D23/335**

(58) **Field of Classification Search**
USPC D23/314, 317, 318, 319, 320, 322, 323,
D23/325, 329, 332, 333, 335, 336, 337,
D23/338, 339, 340, 342, 351, 352, 354,
D23/355, 356, 357, 359, 360, 361, 362,
D23/363, 364, 366
CPC F24H 3/00; F24H 3/0411; F24H 3/0417;
F24H 9/0063; F24H 9/0073; F24H 9/02;
F24H 3/082; F24H 9/2071; F24H 3/002;
F24H 3/02; F04D 17/04; F04D 25/08;
F04D 25/10; H05B 3/008

See application file for complete search history.

(56) **References Cited**

U.S. PATENT DOCUMENTS

D402,742 S * 12/1998 Chen D23/335
D448,837 S * 10/2001 Toro D23/335

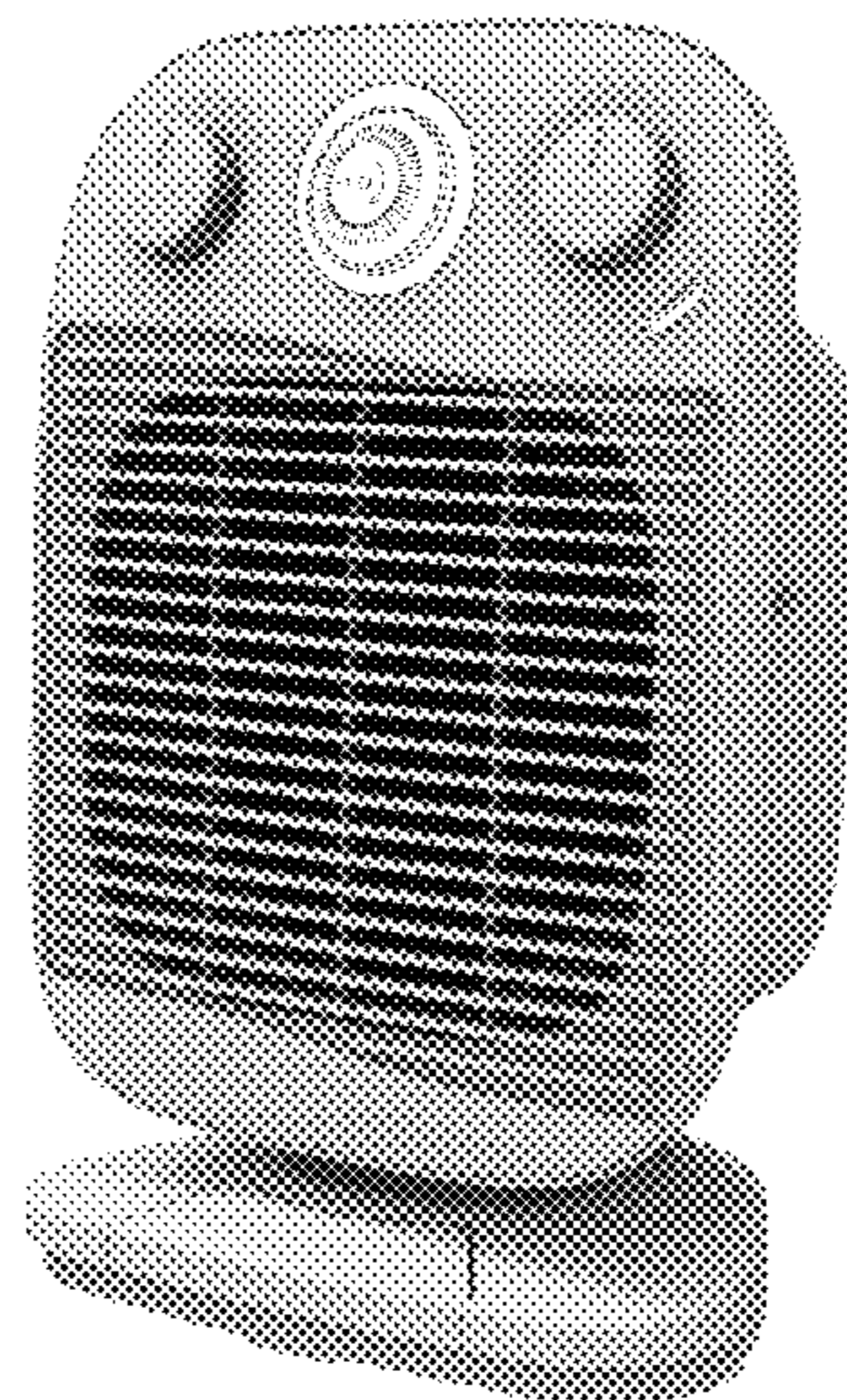
(57) **CLAIM**

The ornamental design for a heater, as shown.

DESCRIPTION

FIG. 1 is a front, right-side, and top view of a heater showing the new design.
FIG. 2 is a top plan view of the heater.
FIG. 3 is a front elevation view of the heater.
FIG. 4 is a right-side elevation view of the heater.
FIG. 5 is a rear elevation view of the heater.
FIG. 6 is a left-side elevation view of the heater.
FIG. 7 is a bottom plan view of the heater.
FIG. 8 is a front, right-side, and top view of a heater showing a second embodiment of the new design.
FIG. 9 is a top plan view of the heater.
FIG. 10 is a front elevation view of the heater.
FIG. 11 is a right-side elevation view of the heater.
FIG. 12 is a rear elevation view of the heater.
FIG. 13 is a left-side elevation view of the heater; and,
FIG. 14 is a bottom plan view of the heater.
The broken lines show elements of the heater that form no part of the claimed design.

1 Claim, 6 Drawing Sheets



(56)

References Cited

U.S. PATENT DOCUMENTS

D597,640 S *	8/2009	Israel	D23/335
D626,641 S *	11/2010	Ediger	D23/335
D636,858 S *	4/2011	Ediger	D23/335
D654,578 S *	2/2012	Ediger	D23/342
2012/0308216 A1 *	12/2012	Bryce	F24H 3/002
				392/422
2017/0284701 A1 *	10/2017	Wang	F24H 3/002

* cited by examiner



Fig. 1

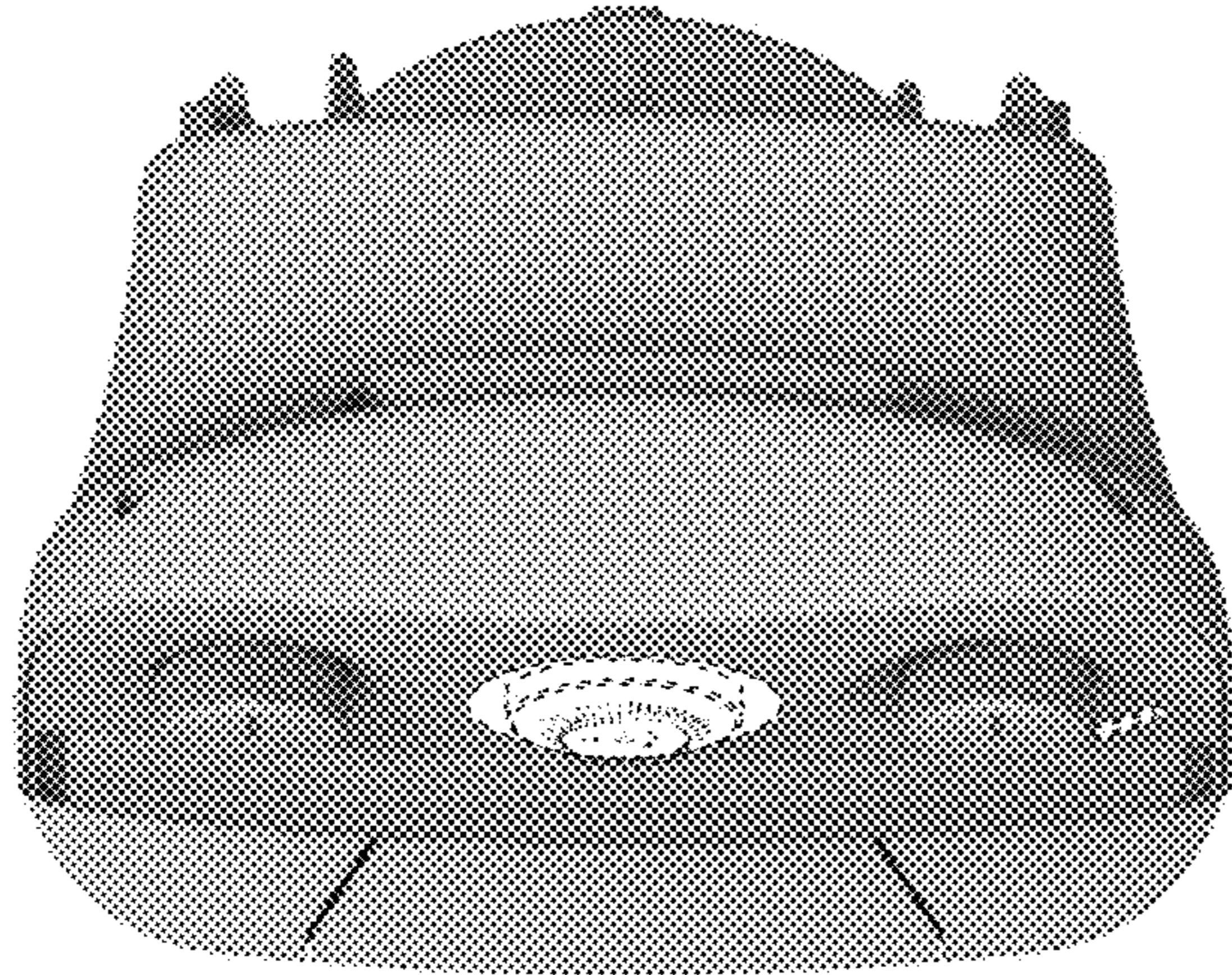


Fig. 2

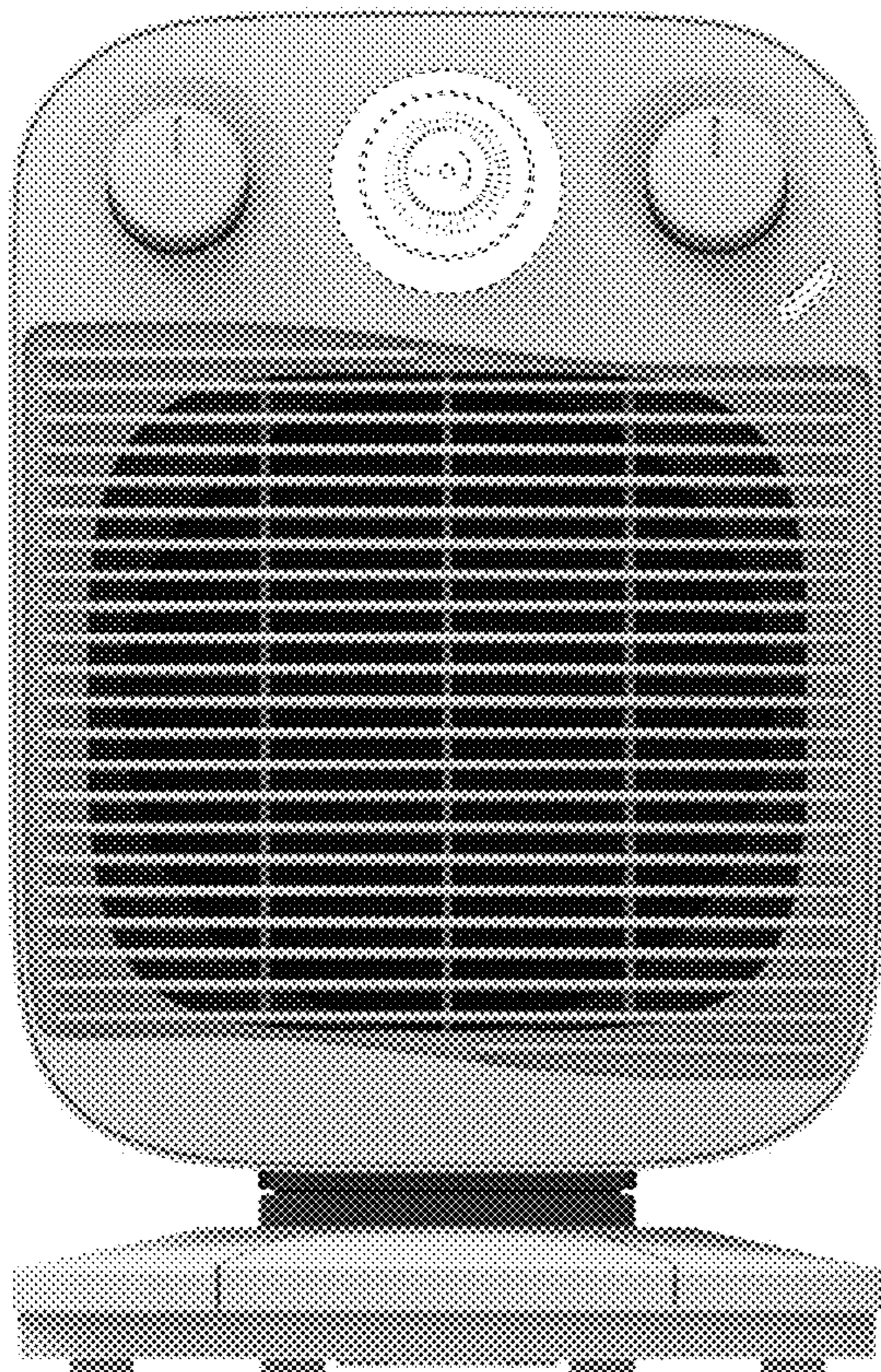


Fig. 3

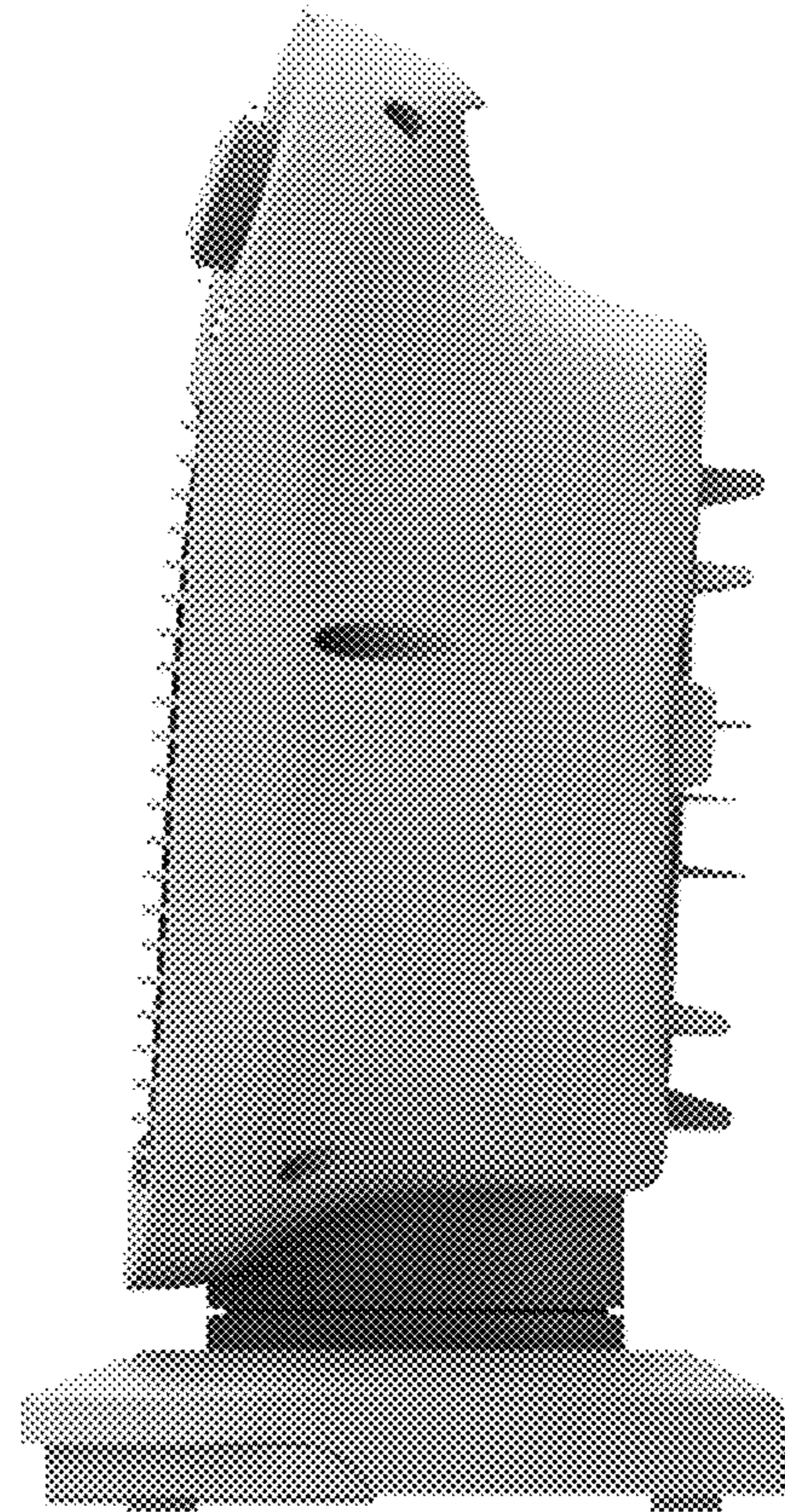


Fig. 4

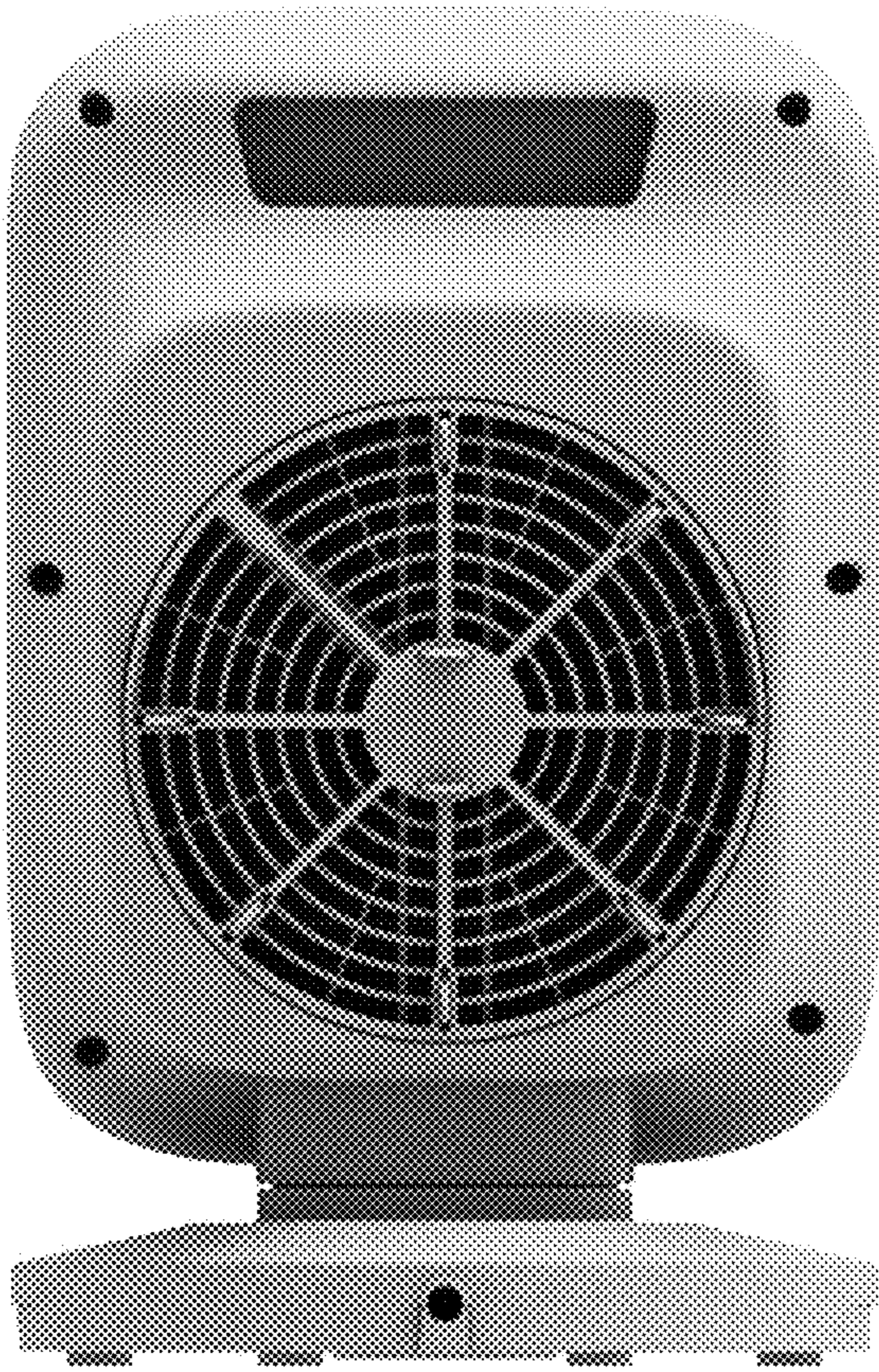


Fig. 5

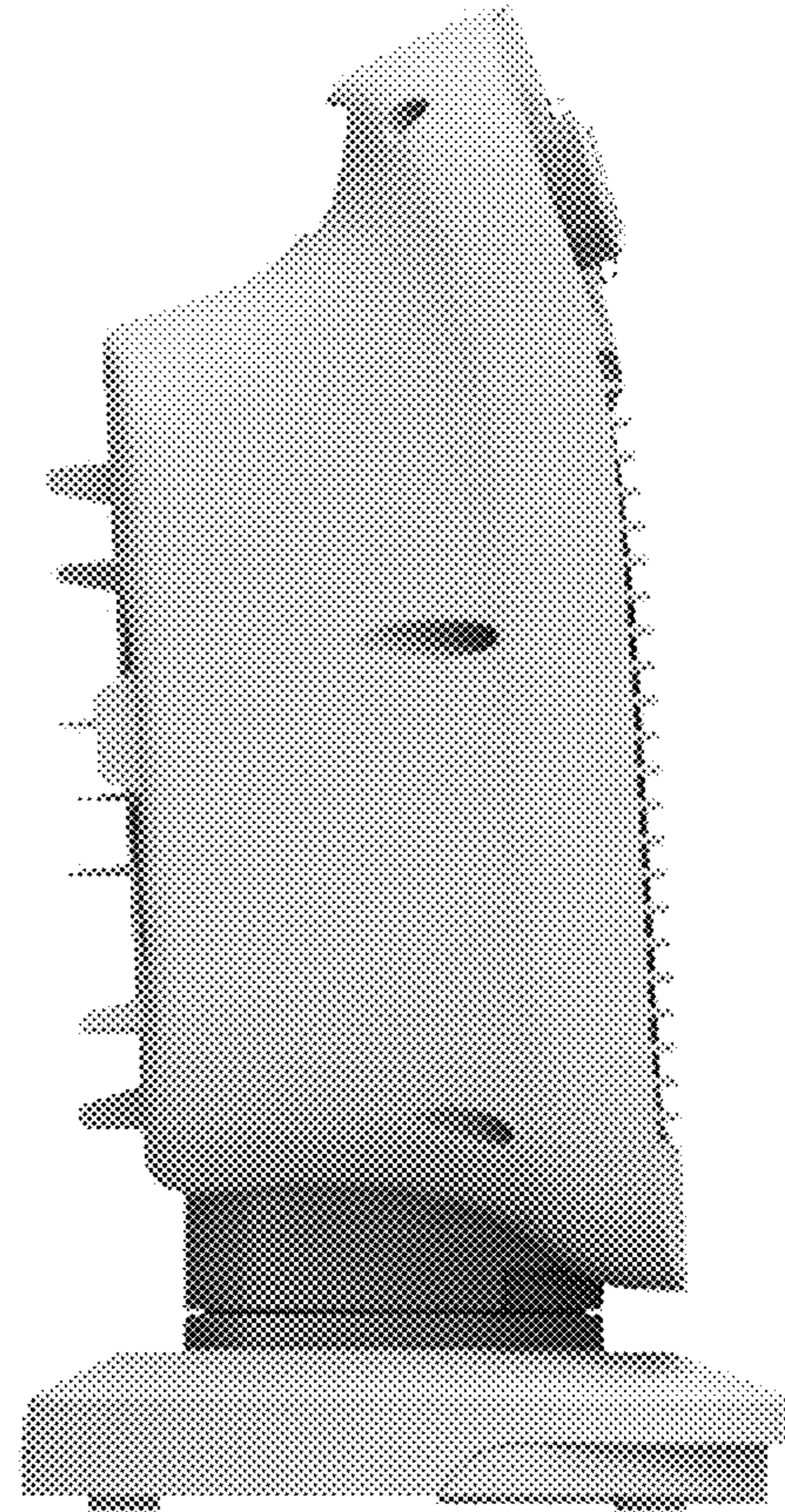


Fig. 6

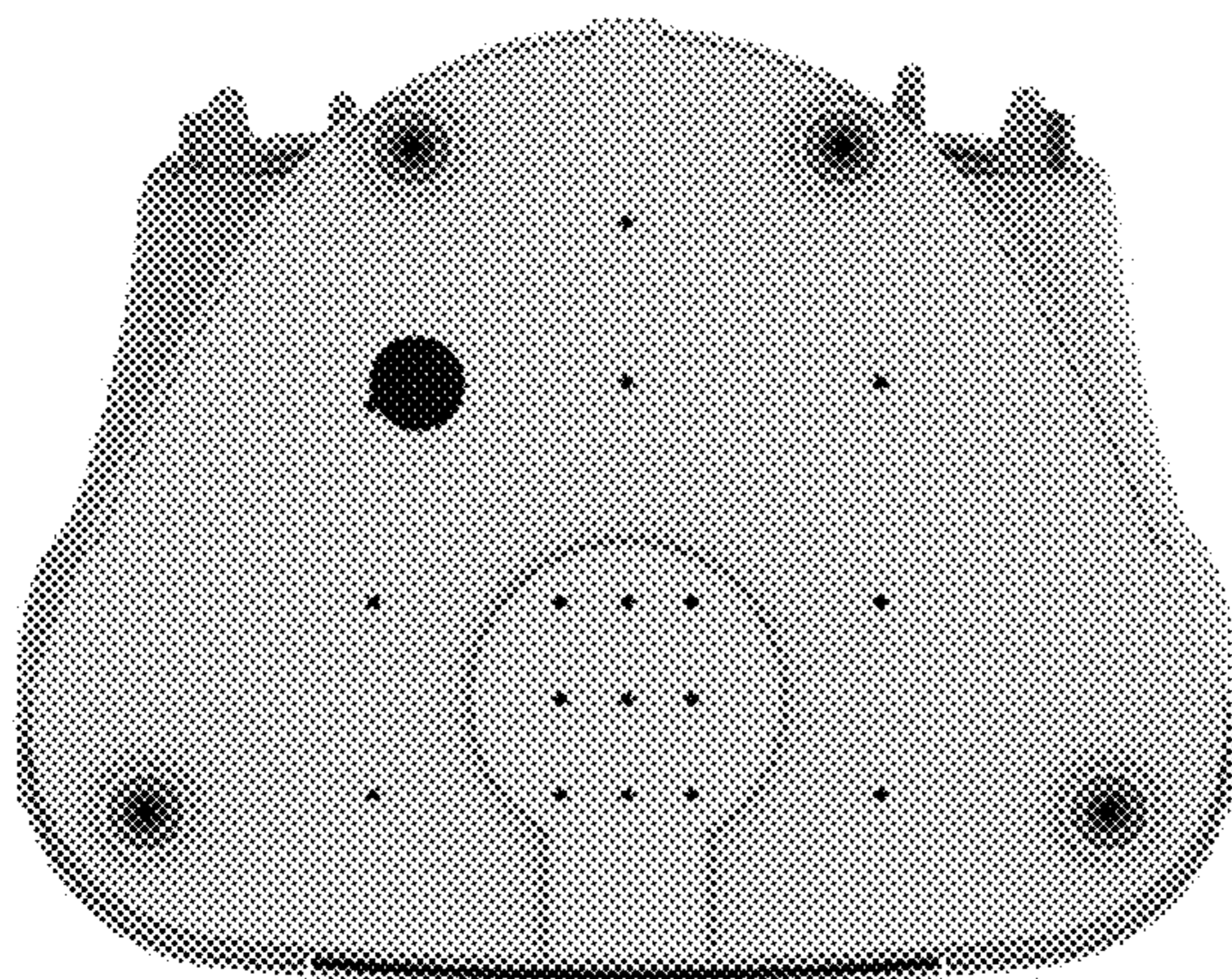


Fig. 7



Fig. 8

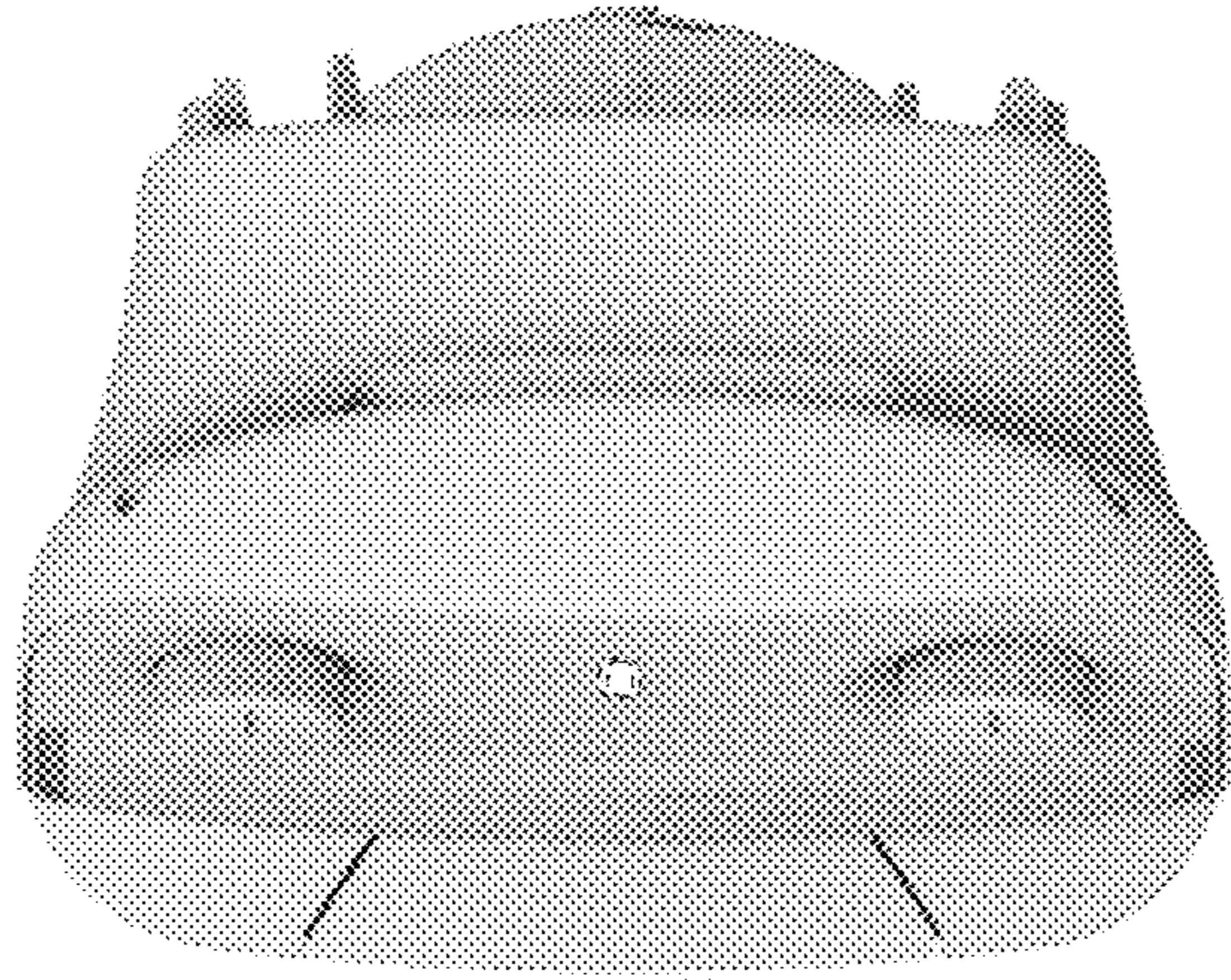


Fig. 9

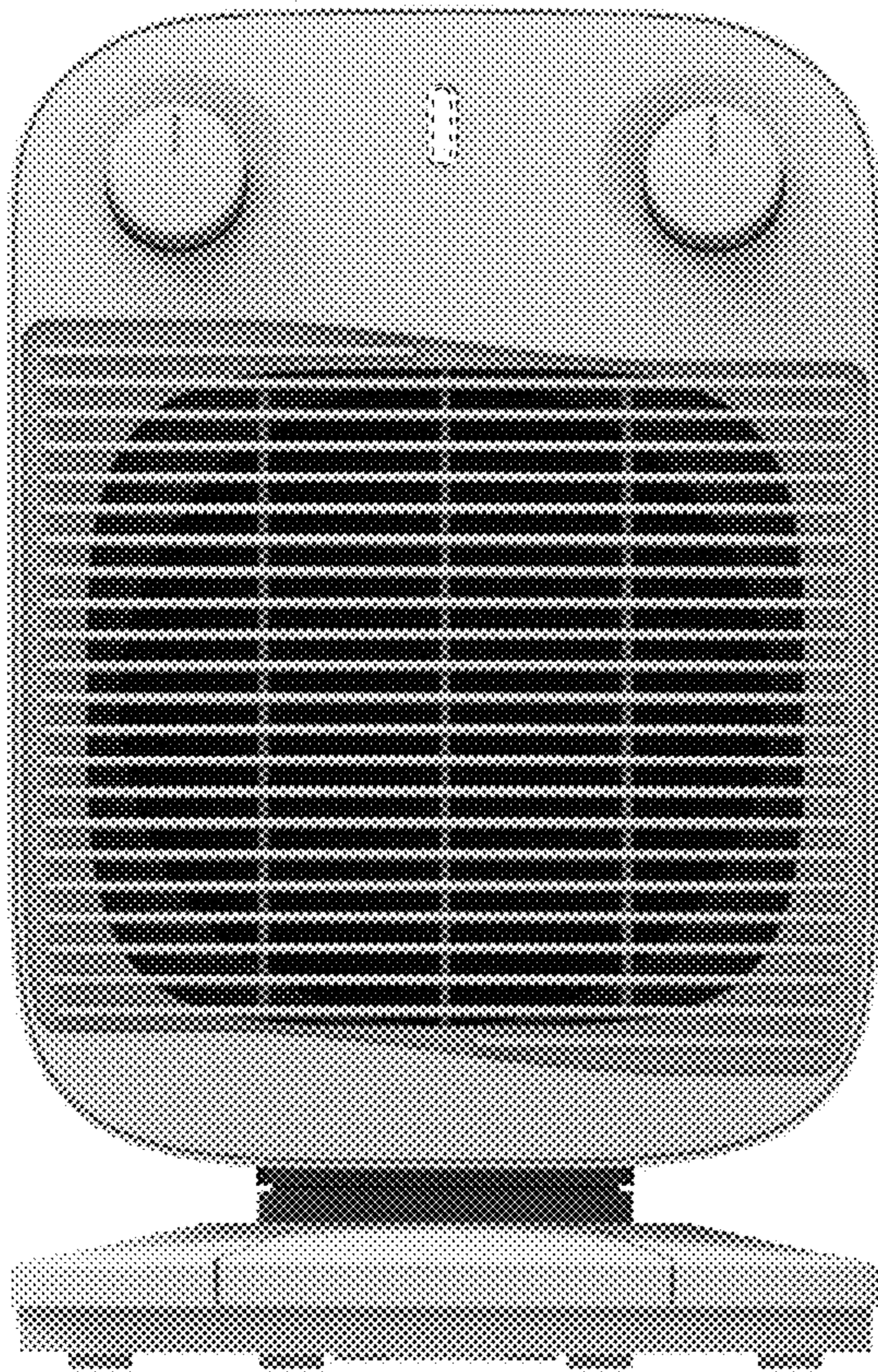


Fig. 10

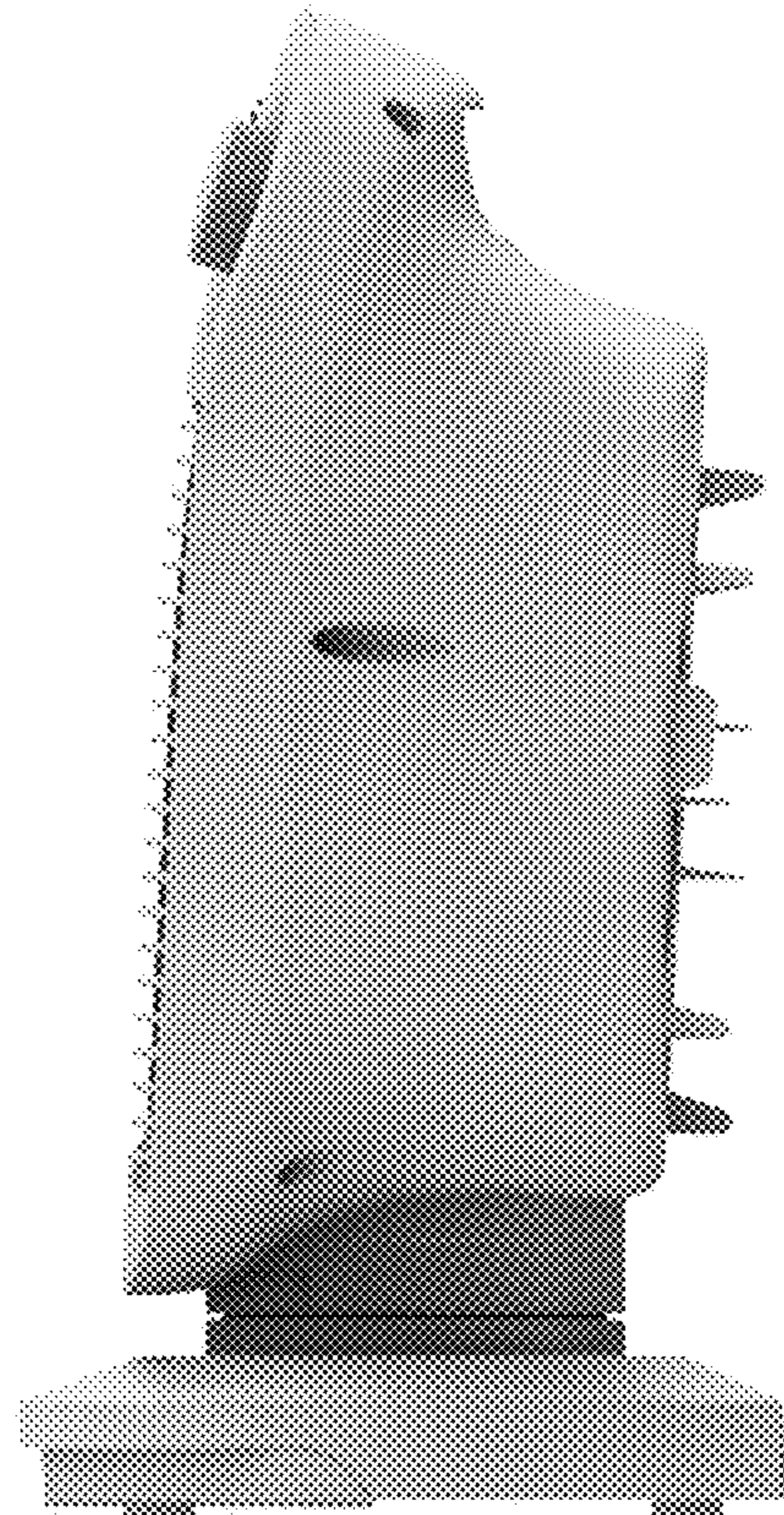


Fig. 11

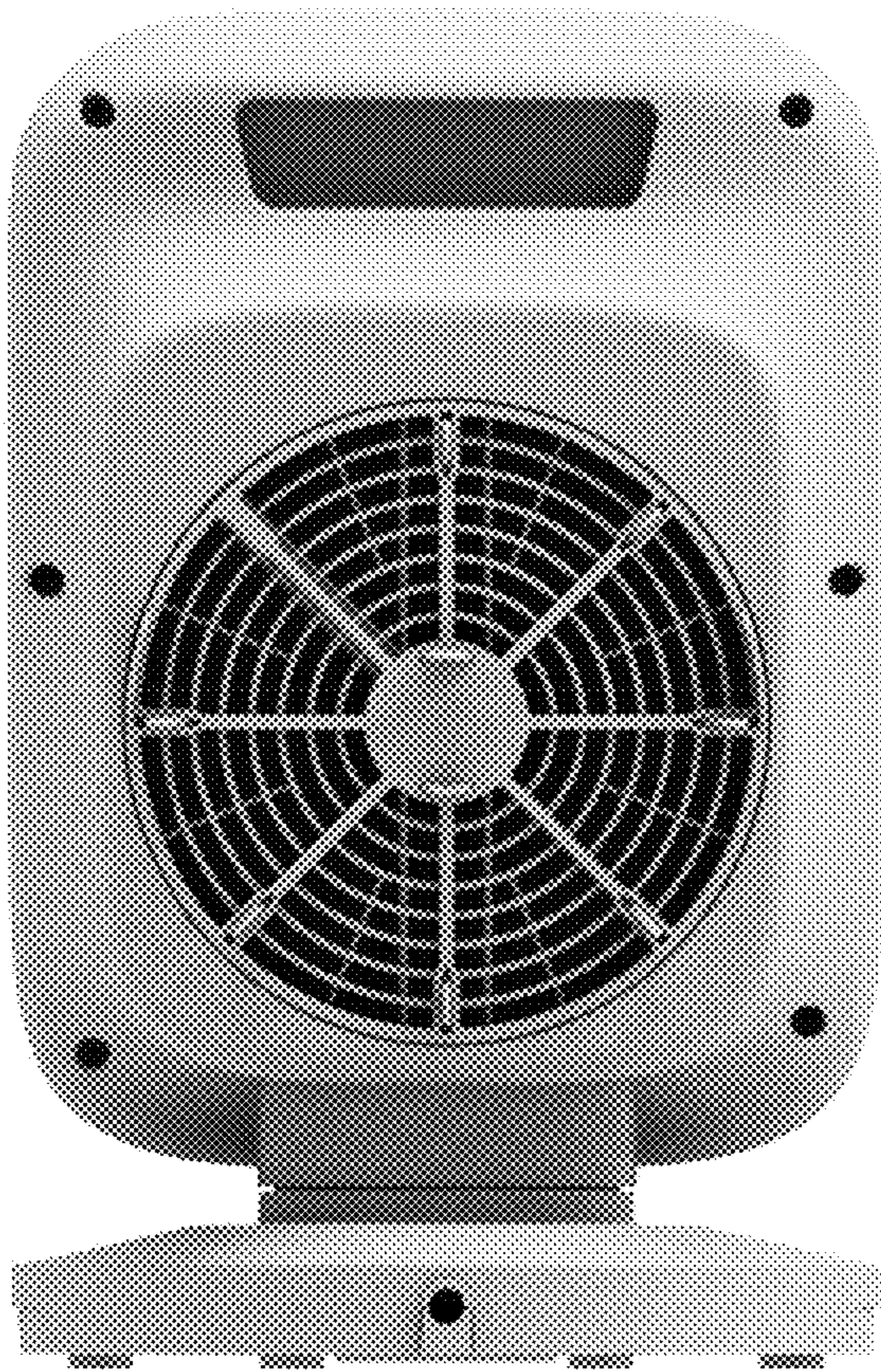


Fig. 12

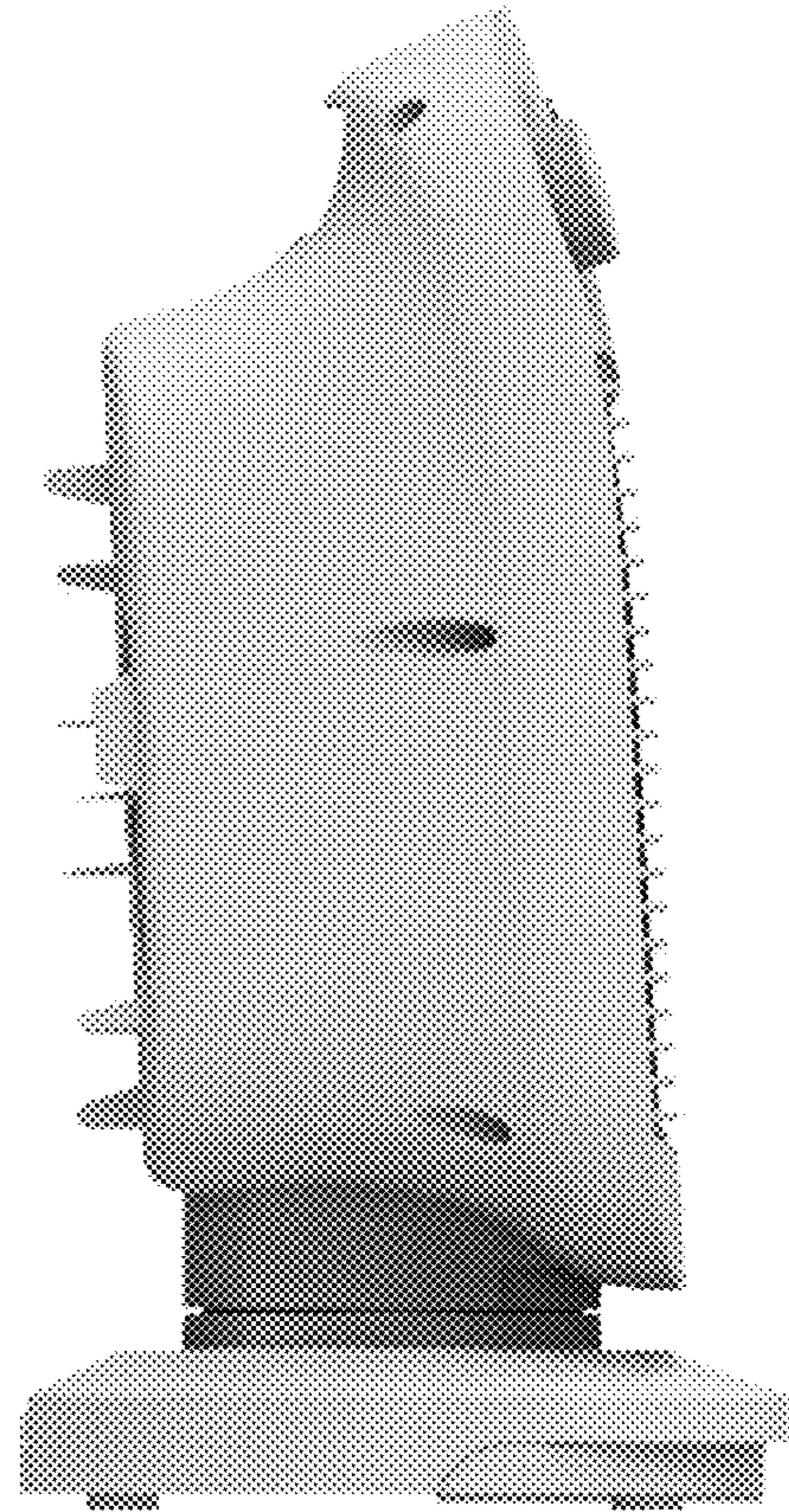


Fig. 13

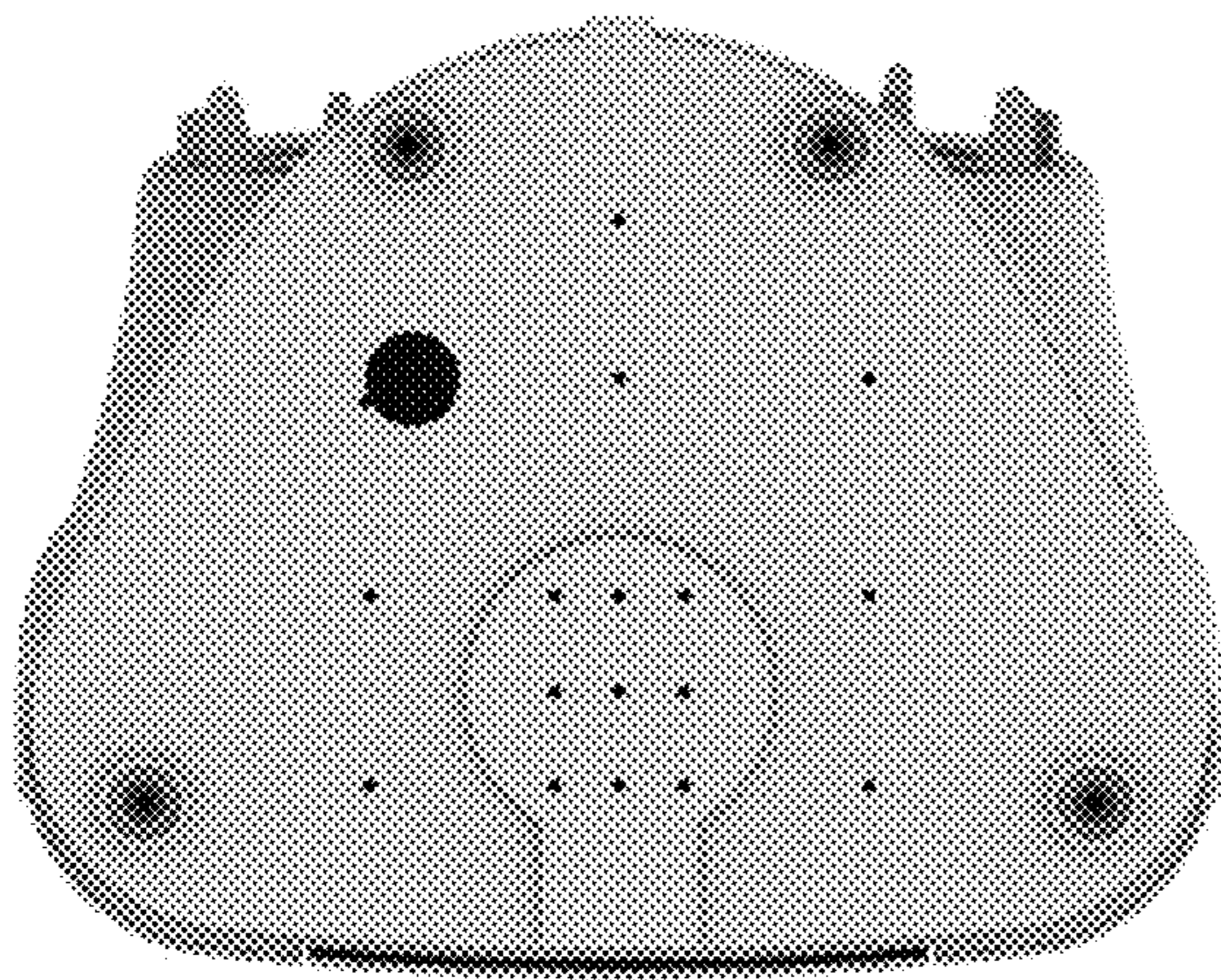


Fig. 14