



US00D831179S

(12) **United States Design Patent**
Kelly

(10) **Patent No.:** **US D831,179 S**

(45) **Date of Patent:** **** Oct. 16, 2018**

(54) **TOILET RIM SANITIZER COVER KIT**

(71) Applicant: **John Kelly**, Wofford Heights, CA (US)

(72) Inventor: **John Kelly**, Wofford Heights, CA (US)

(**) Term: **15 Years**

(21) Appl. No.: **29/573,204**

(22) Filed: **Aug. 3, 2016**

(51) **LOC (11) Cl.** **23-02**

(52) **U.S. Cl.**
USPC **D23/311**

(58) **Field of Classification Search**
USPC D23/311-312, 303; D6/611
CPC A47K 13/04; A47K 13/14
See application file for complete search history.

(56) **References Cited**

U.S. PATENT DOCUMENTS

4,720,880 A 1/1988 Barreau
5,067,185 A 11/1991 Kohler
D333,701 S * 3/1993 Meeks D23/311

6,119,282 A 9/2000 Serbin
D502,537 S * 3/2005 Gibson D23/311
6,996,859 B1 * 2/2006 Alonso A47K 13/14
4/244.1

* cited by examiner

Primary Examiner — Robert A Delehanty

(57) **CLAIM**

The ornamental design for a toilet rim sanitizer cover kit, as shown and described.

DESCRIPTION

FIG. 1 is a bottom plan view of a toilet rim sanitizer cover kit showing my new design showing a cover having a round opening and a cover having an oval opening separated for clarity;

FIG. 2 is a top plan view thereof;

FIG. 3 is a right side elevation view thereof, the opposite side being a mirror image of the shown;

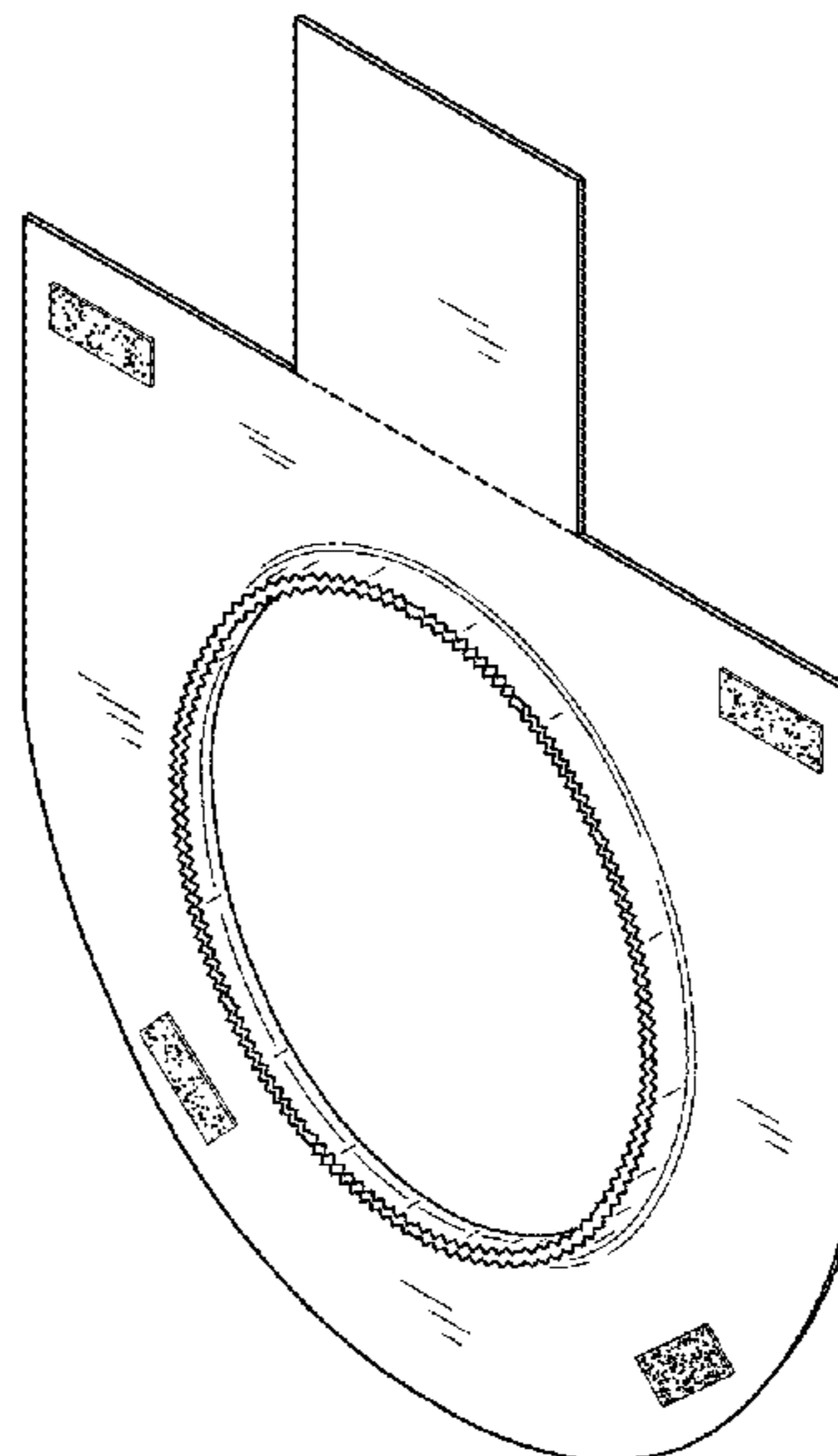
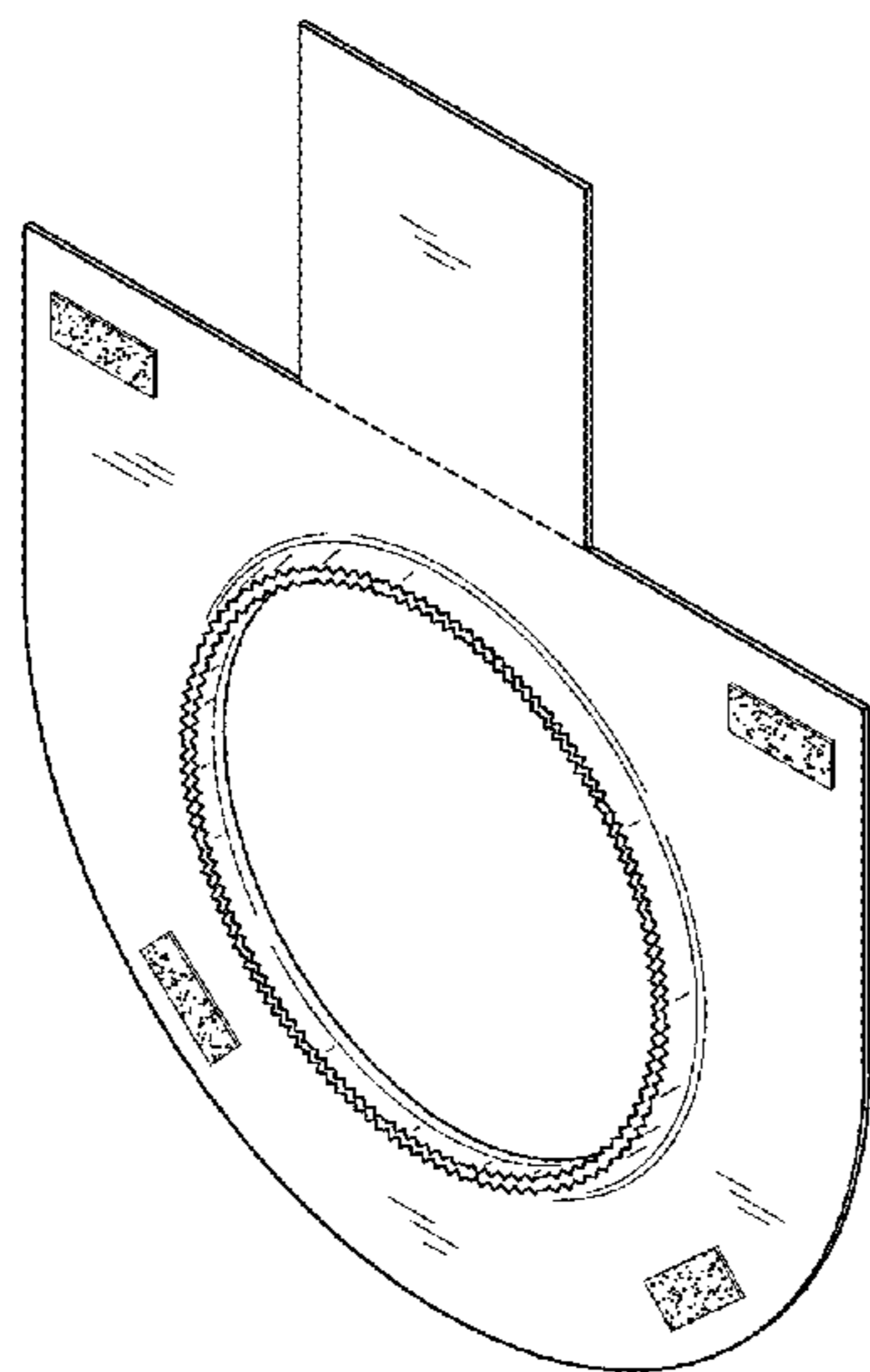
FIG. 4 is a front elevation view thereof;

FIG. 5 is a rear elevation view thereof; and,

FIG. 6 is an isometric view thereof.

The dashed lines shown in FIGS. 1 through 6 represent a perforated tear line.

1 Claim, 5 Drawing Sheets



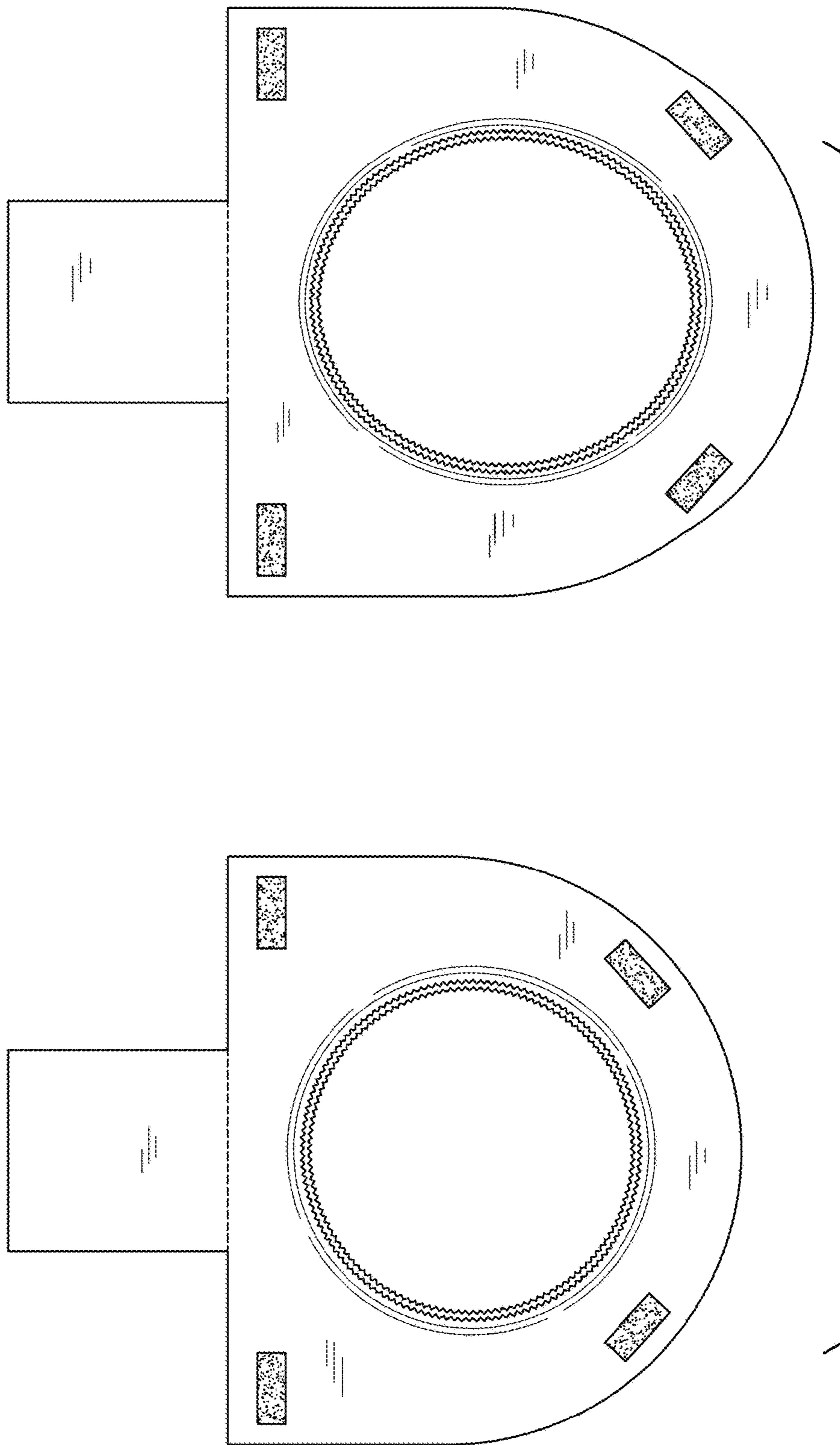


FIG. 1

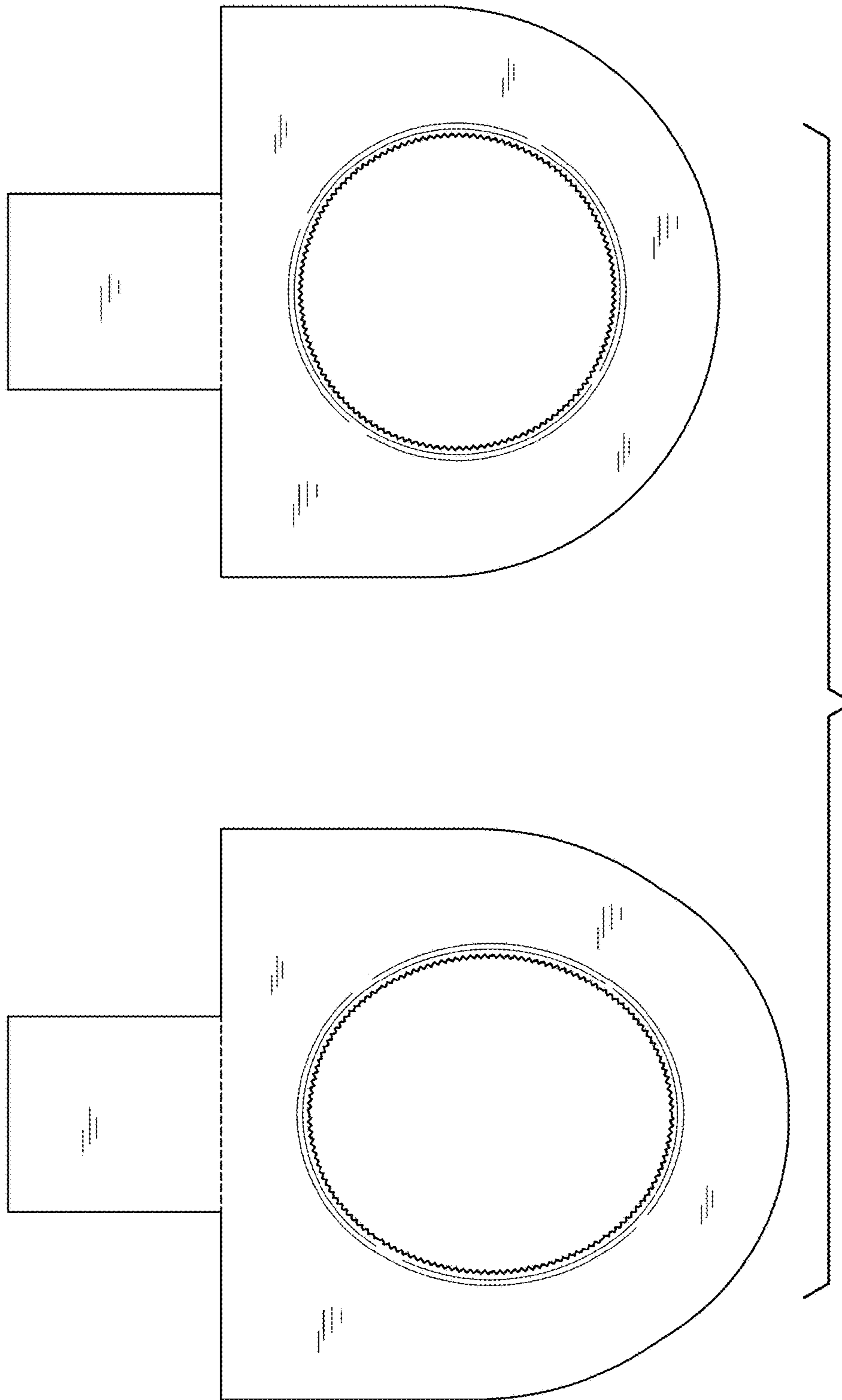


FIG. 2

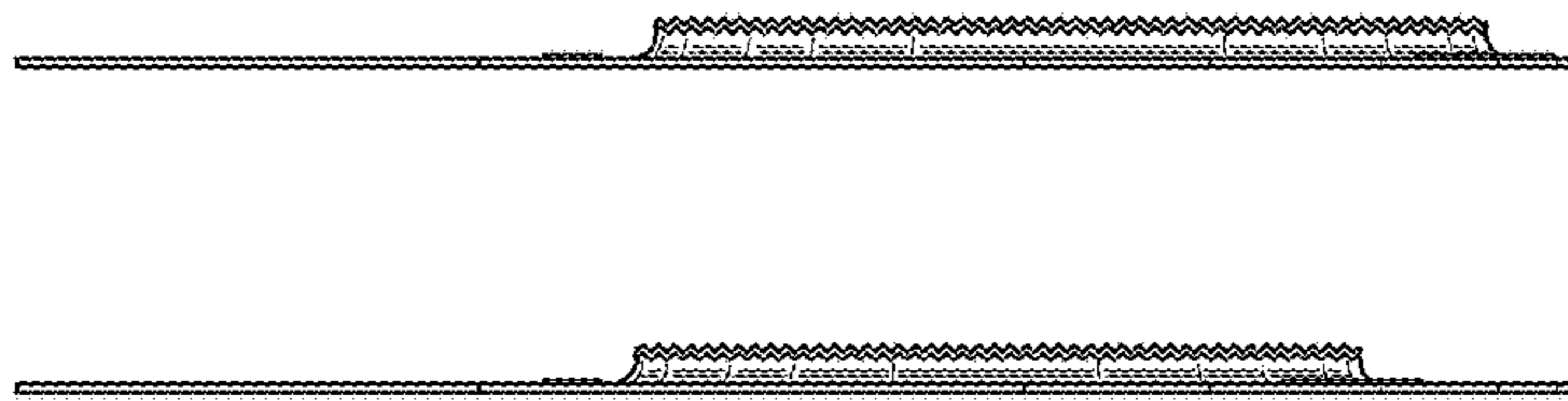


FIG. 3

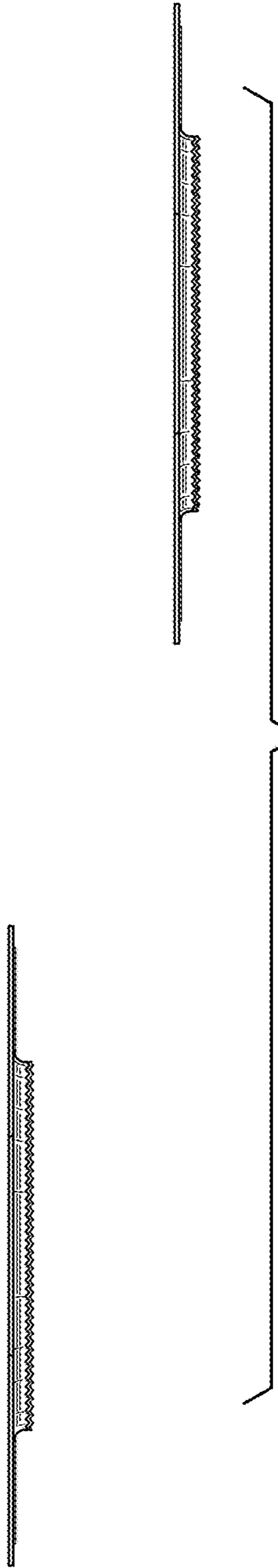


FIG. 4

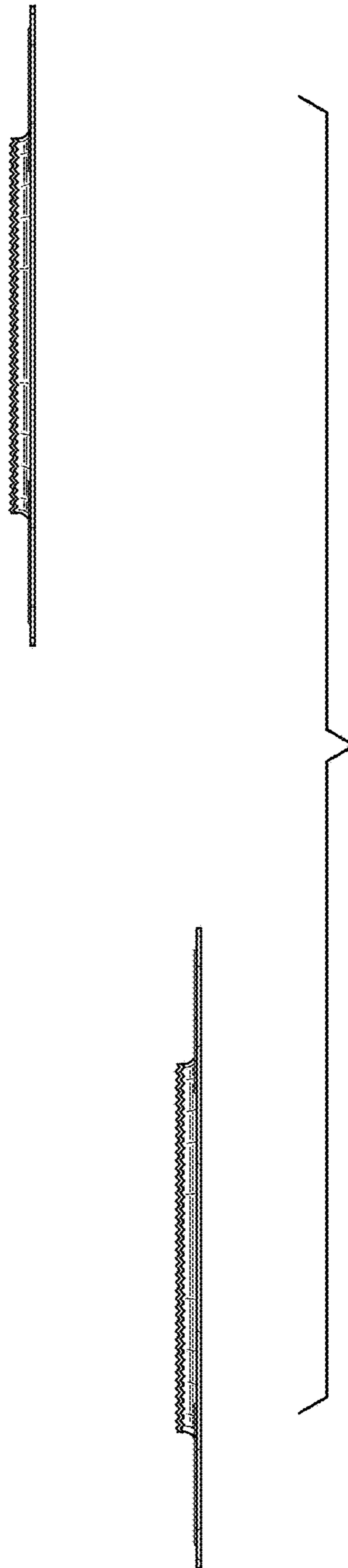


FIG. 5

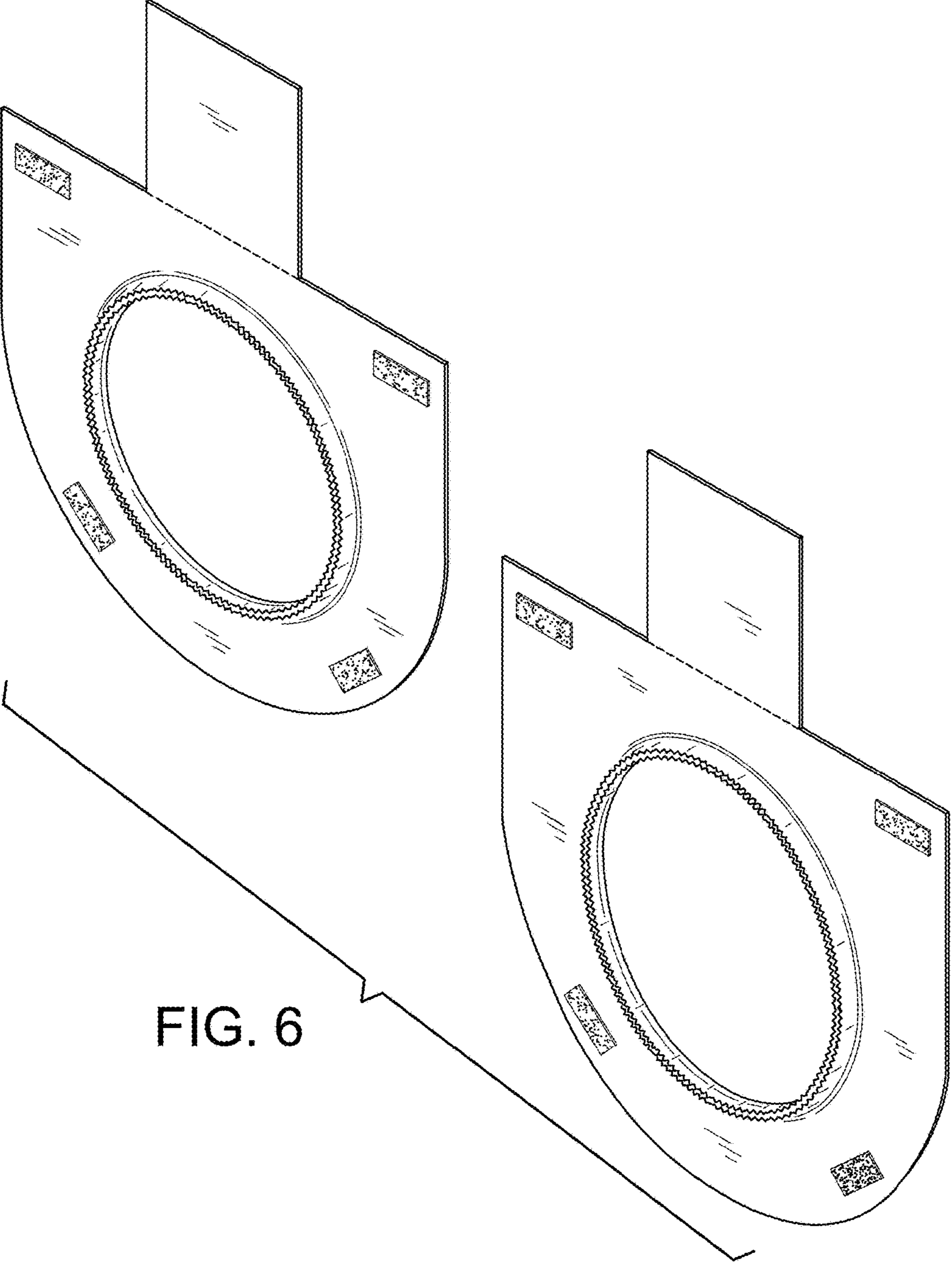


FIG. 6