



US00D831178S

(12) **United States Design Patent**
Van Wingerden

(10) **Patent No.:** **US D831,178 S**
(45) **Date of Patent:** **** Oct. 16, 2018**

(54) **GUTTER**
(71) Applicant: **Johannes Cornelious Van Wingerden,**
Stevensburg, VA (US)

2,770,957 A 11/1956 Bronson
2,791,273 A 5/1957 Brownell
3,199,250 A 8/1965 Sawyer
(Continued)

(72) Inventor: **Johannes Cornelious Van Wingerden,**
Stevensburg, VA (US)

FOREIGN PATENT DOCUMENTS

(**) Term: **15 Years**

DE 4020116101516-0001 4/2017
EM 001257786-0001 2/2011
EP 1407987 A1 4/2004
WO WO-2014/199917 A1 12/2014

(21) Appl. No.: **29/603,860**

(22) Filed: **May 12, 2017**

OTHER PUBLICATIONS

(51) **LOC (11) Cl.** **23-01**

English-language translation of WO 2014/199917 A1 (Year: 2014).
(Continued)

(52) **U.S. Cl.**
USPC **D23/267**

(58) **Field of Classification Search**
USPC D23/267; D25/119–125, 141; 52/11, 12,
52/16, 73.21, 302.3; 248/48.1–48.2;
405/120

Primary Examiner — Eric L Goodman
Assistant Examiner — Amy C Wierenga
(74) *Attorney, Agent, or Firm* — Ali Sharifzadeh

CPC ... E04D 13/08; E04D 13/076; E04D 13/0722;
E04D 13/0725; E04D 2013/0833; E04D
2013/082; E04D 2013/0866; E04D
2013/086; E04B 1/3404; E04B 1/7069

(57) **CLAIM**

The ornamental design for a gutter, as shown and described.

See application file for complete search history.

DESCRIPTION

(56) **References Cited**

U.S. PATENT DOCUMENTS

D24,929 S 11/1895 Nichols
D32,585 S 4/1900 Pessano
1,778,150 A 10/1930 Sture
D82,957 S * 12/1930 Rachlin D23/267
D102,968 S 1/1937 Farber
2,090,325 A 8/1937 Deubel
2,164,060 A 6/1939 Gerner
2,205,303 A 6/1940 Munsell
2,231,749 A 2/1941 Damerell
RE21,820 E 6/1941 Munsell
2,276,376 A 3/1942 Deubel
2,312,582 A 3/1943 Patrick
2,548,910 A 4/1951 Rylander
2,639,549 A 5/1953 Wubben et al.
2,747,331 A 5/1956 Steiner

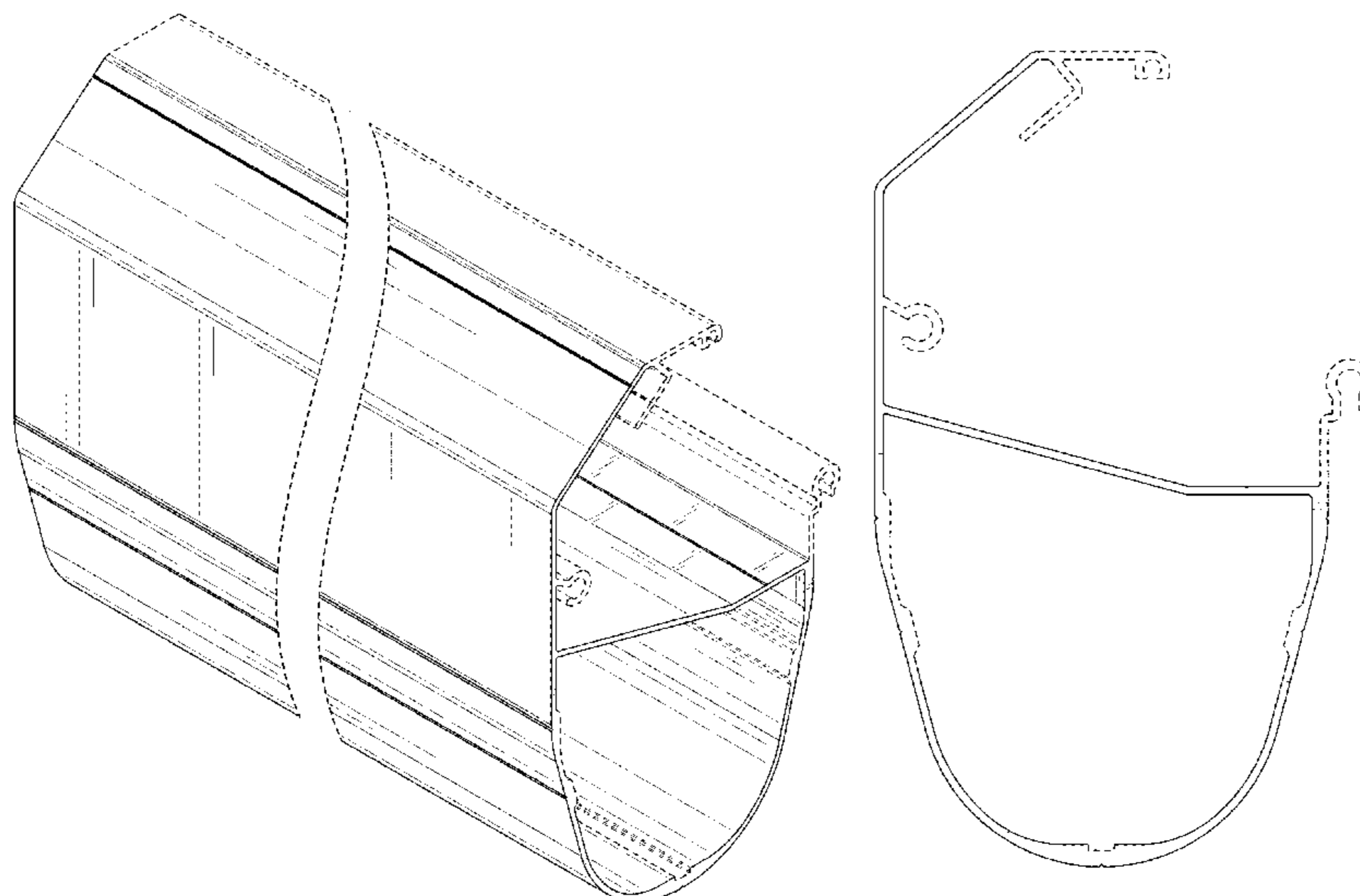
FIG. 1 is a perspective view of a gutter showing our new design;

FIG. 2 is a left side view of the design shown in FIG. 1;
FIG. 3 is a right side view of the design shown in FIG. 1;
FIG. 4 is a front side view of the design shown in FIG. 1;
FIG. 5 is a back side view of the design shown in FIG. 1;
FIG. 6 is a top view of the design shown in FIG. 1; and,
FIG. 7 is a bottom view of the design shown in FIG. 1.

The broken lines in the figures show portions of the gutter that form no part of the claimed design.

In FIGS. 1 and 4-7 the gutter is shown with a symbolic break in its length. The appearance of any portion of the gutter between the break lines forms no part of the claimed design.

1 Claim, 7 Drawing Sheets



(56)

References Cited

U.S. PATENT DOCUMENTS

3,288,340 A 11/1966 Shapiro et al.
D217,247 S * 4/1970 Brown D23/267
3,650,521 A 3/1972 Meli
3,766,684 A 10/1973 Kato
3,879,889 A 4/1975 Schmid
3,911,632 A 10/1975 Bryfogle et al.
3,913,758 A 10/1975 Faircloth et al.
3,965,616 A 6/1976 Ridgeway
3,975,860 A 8/1976 Harned et al.
3,973,353 A 10/1976 Dedolph
4,006,557 A 2/1977 Sawyer
4,028,847 A 6/1977 Davis et al.
4,035,950 A 7/1977 Anselm
4,057,931 A 11/1977 Stutelberg et al.
4,118,891 A 10/1978 Kehl et al.
4,145,841 A 3/1979 Woolpert
4,160,342 A 7/1979 Dryer
4,179,846 A 12/1979 Carlisle
4,198,784 A 4/1980 Sukert
4,216,618 A 8/1980 Haub et al.
4,236,353 A 12/1980 Sorenson
4,279,101 A 7/1981 Leroux
4,312,152 A 1/1982 Drury et al.
4,315,382 A 2/1982 Kay et al.
4,324,069 A 4/1982 Flagg
4,407,092 A 10/1983 Ware
4,476,651 A 10/1984 Drury
4,557,070 A 12/1985 Oyama
4,578,898 A 4/1986 Greenbaum
4,604,837 A 8/1986 Beam
4,715,144 A 12/1987 Lee
D311,589 S * 10/1990 Benchimol D25/119
4,978,023 A 12/1990 Behlmann et al.
4,989,365 A 2/1991 Roger
5,010,686 A 4/1991 Rivest
5,125,184 A 6/1992 Anderson
5,131,185 A 7/1992 Van Wingerden
5,168,664 A 12/1992 Deutschmann, Sr.
5,201,141 A 4/1993 Ahm
5,225,342 A 7/1993 Farrell
5,282,335 A 2/1994 Holtkamp, Jr.
5,323,567 A 6/1994 Nakayama et al.
D351,668 S * 10/1994 Lim D25/121
5,385,589 A 1/1995 Kratky
5,459,960 A 10/1995 Manlove
5,491,998 A 2/1996 Hansen
D376,307 S 12/1996 Burgasser et al.
5,586,656 A 12/1996 Abrums
5,761,848 A 6/1998 Manlove
5,806,241 A 9/1998 Byland et al.
5,826,375 A 10/1998 Black
5,911,659 A * 6/1999 Serano E04D 13/076
52/11
5,930,951 A 8/1999 Wong
6,070,360 A 6/2000 Liao et al.
6,138,411 A 10/2000 Lin
6,161,332 A 12/2000 Avot
6,233,870 B1 5/2001 Horibata
D448,862 S * 10/2001 Kieffer D25/121
6,298,600 B1 10/2001 Feldman
6,336,292 B1 1/2002 Boxsell
D454,180 S * 3/2002 Wessels D23/267
D468,812 S * 1/2003 Doyle D23/267
6,526,693 B2 3/2003 Cochran
D483,443 S * 12/2003 Forsberg D23/267
D489,209 S * 5/2004 Goldberg D25/119
6,814,250 B1 11/2004 Madsen
6,928,772 B2 8/2005 Bai et al.
6,948,349 B2 9/2005 Gorski et al.
6,964,128 B2 11/2005 Yasuda
D512,877 S 12/2005 Vovan
7,000,351 B2 2/2006 Baumann
7,076,921 B2 7/2006 Spradlin
7,171,781 B1 2/2007 Southern
7,171,783 B1 2/2007 Fidotti

D541,148 S 4/2007 Gross et al.
7,210,266 B2 5/2007 Henry et al.
D552,218 S * 10/2007 Alldredge D23/267
7,340,863 B1 3/2008 Dressler
7,412,798 B2 8/2008 Boxsell
7,506,472 B2 3/2009 Leyns et al.
7,533,493 B2 5/2009 Brusatore
7,610,717 B2 11/2009 Luken et al.
7,624,535 B2 12/2009 Schmidt
7,690,150 B2 4/2010 Orschulik
7,730,672 B2 6/2010 Knudson et al.
7,832,144 B2 11/2010 Corradi
7,874,102 B2 1/2011 Hilbert
7,972,840 B2 7/2011 Hasegawa et al.
D666,524 S 9/2012 Aoyama
D673,054 S 12/2012 Kim et al.
D674,889 S * 1/2013 Mims D23/386
D677,156 S 3/2013 Wu
8,474,179 B2 7/2013 Jung
8,549,788 B2 10/2013 Bryan, III
D708,506 S 7/2014 Wu
D718,847 S * 12/2014 Creighton Haley D23/267
D718,876 S * 12/2014 Smedberg D25/119
D719,084 S 12/2014 Kruse
D726,888 S * 4/2015 Johansen D23/267
9,038,312 B2 5/2015 Harbaugh
D736,900 S * 8/2015 Frelier B08B 9/00
D23/267
9,220,207 B2 12/2015 Storey
9,341,266 B1 5/2016 Vivatson
9,510,524 B2 12/2016 Anderson et al.
9,534,391 B2 1/2017 Haley et al.
D789,499 S * 6/2017 Slorach D23/267
2005/0086861 A1 4/2005 Atchley
2005/0274073 A1 12/2005 Brooke et al.
2006/0150497 A1 7/2006 Kaprielian
2006/0288640 A1 12/2006 Leithold
2008/0230010 A1 9/2008 Buck
2009/0056215 A1 3/2009 Yang
2009/0151269 A1 * 6/2009 Eiger A01G 9/14
52/11
2009/0241417 A1 10/2009 Smith
2010/0170154 A1 6/2010 Ahn
2011/0114800 A1 * 5/2011 Gramling E04D 13/0725
248/48.2
2011/0138698 A1 6/2011 Neumann
2012/0180818 A1 * 7/2012 Janesky E02D 31/02
134/22.11
2012/0324787 A1 12/2012 Daas et al.
2013/0056475 A1 3/2013 Buck
2013/0133252 A1 5/2013 Harbaugh
2014/0041297 A1 2/2014 Miel et al.
2014/0215919 A1 8/2014 Harbaugh
2014/0223818 A1 8/2014 Coghlan
2015/0040474 A1 2/2015 Lee et al.
2015/0068121 A1 3/2015 Probst et al.
2015/0082692 A1 3/2015 Wardenburg et al.
2015/0184393 A1 7/2015 Conner
2015/0216131 A1 8/2015 Van Wingerden
2015/0237807 A1 8/2015 Valiquette
2015/0305261 A1 10/2015 Wilson et al.
2015/0342127 A1 12/2015 Gallant
2016/0136831 A1 3/2016 Bonnet et al.
2016/0100535 A1 4/2016 Daugirdas
2016/0183486 A1 6/2016 Kabakov
2016/0192607 A1 7/2016 Kitagawa
2016/0223418 A1 8/2016 Wüest et al.
2016/0376790 A1 * 12/2016 Yildiz E04D 13/076
52/12
2017/0086399 A1 3/2017 Anderson et al.
2017/0119971 A1 5/2017 Marsh et al.
2017/0254088 A1 9/2017 Axford

OTHER PUBLICATIONS

Large and Small Mask Clicker Dies from ScrapWorksArmory on Etsy Studio, website 2017, <https://www.etsystudio.com/listing/231288759/large-and-small-mask-clicker-dies>, [visited Sep. 11, 2017].

(56)

References Cited

OTHER PUBLICATIONS

Old-Fashioned Cast Iron Shelf Bracket—Signature Hardware, <http://www.signaturehardware.com/old-fashioned-cast-iron-shelf-bracket.html#pr-header-back-to-top-link>, [visited Sep. 11, 2017].

Steel Rule Dies & Clicker Dies, website 2006, <http://swansondie.com/clicker.htm>, [visited Sep. 11, 2017].

Autopot Irrigation Watering System Parts/Spare Accessories Connectors Hydro IWS | eBay, <http://www.ebay.com/itm/Autopot-Irrigation-Watering-System-Parts-Accessories-Connectors-Hydroponic-/121502209218>, [visited Sep. 15, 2017].

* cited by examiner

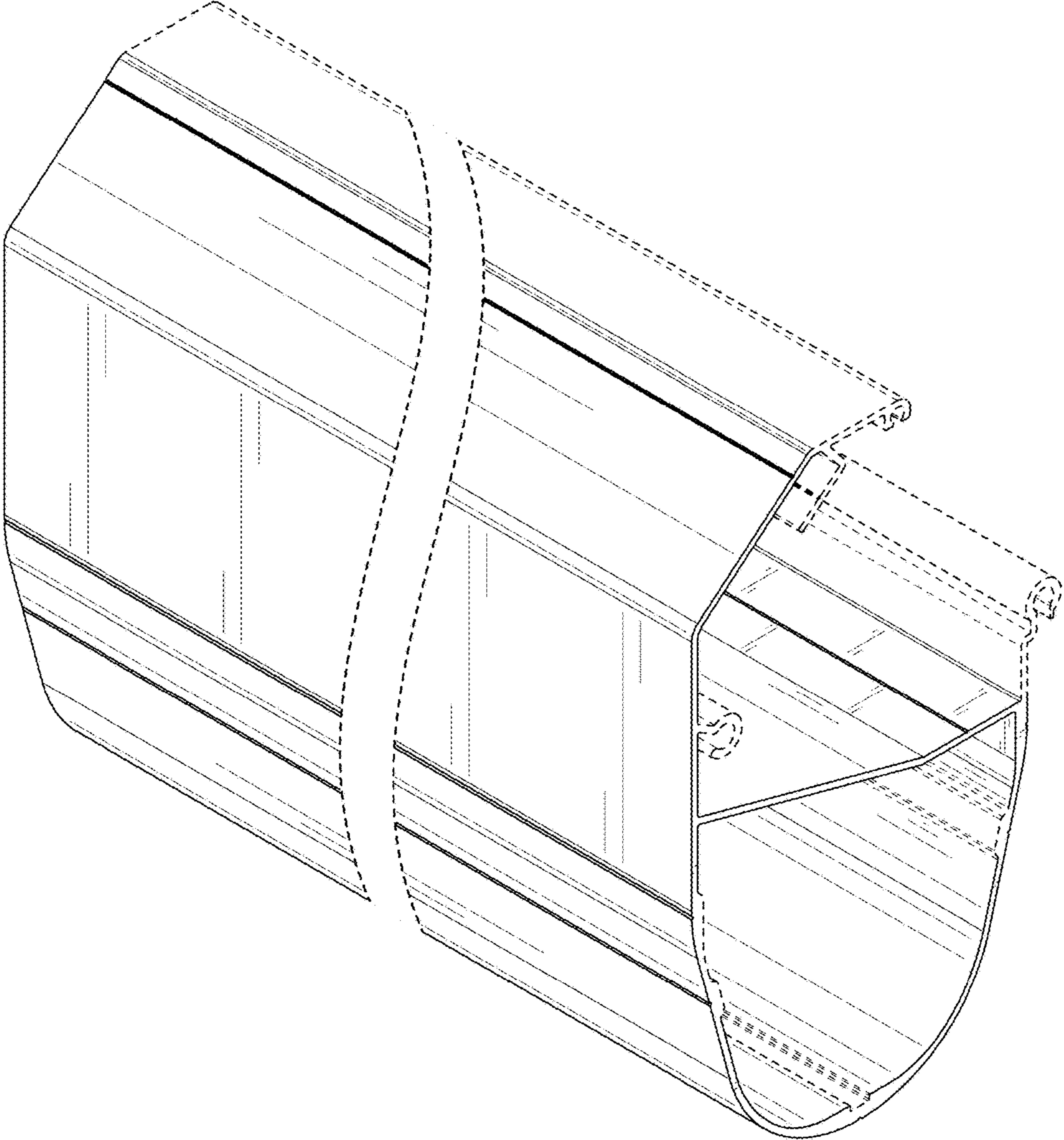


FIG. 1

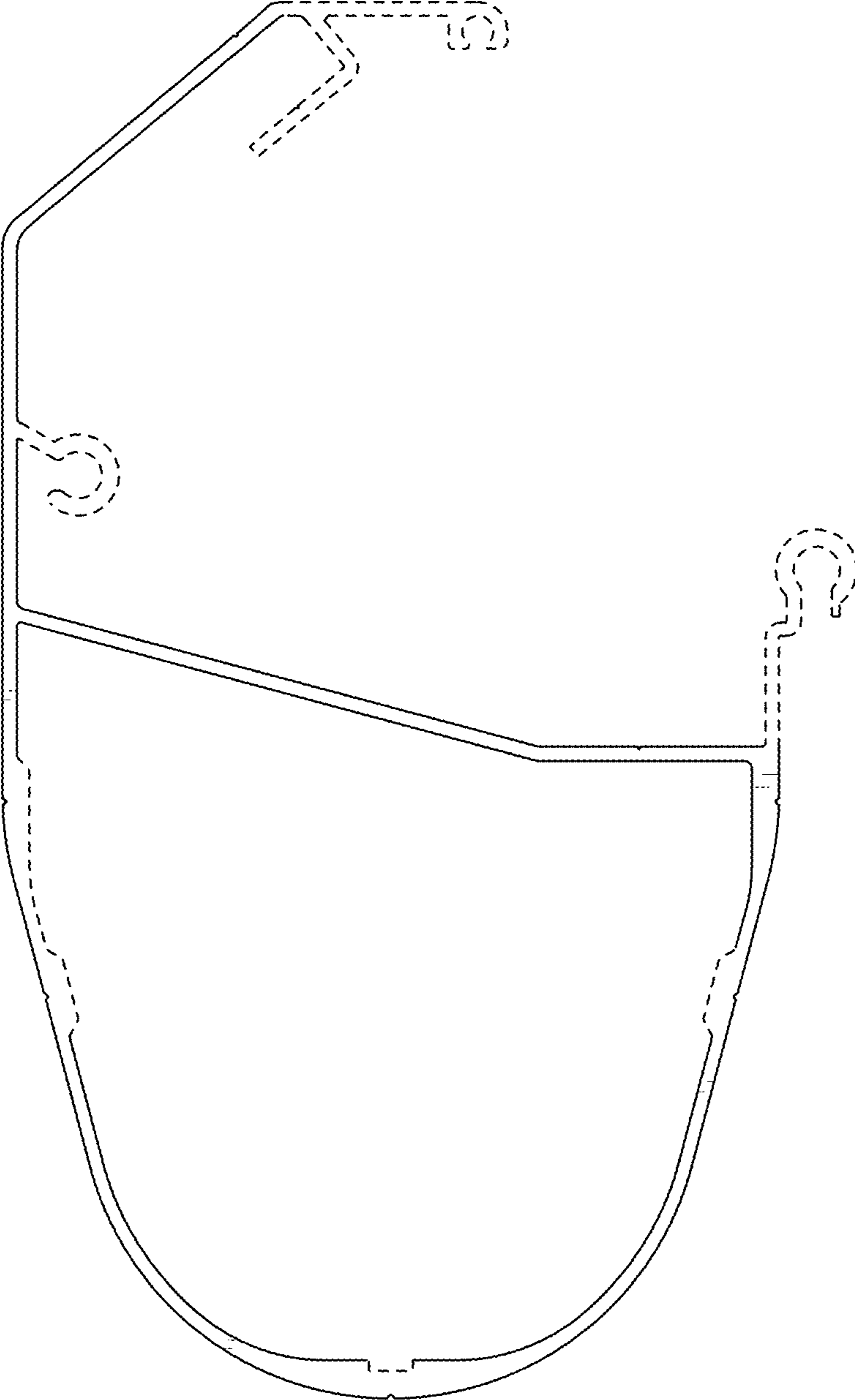


FIG. 2

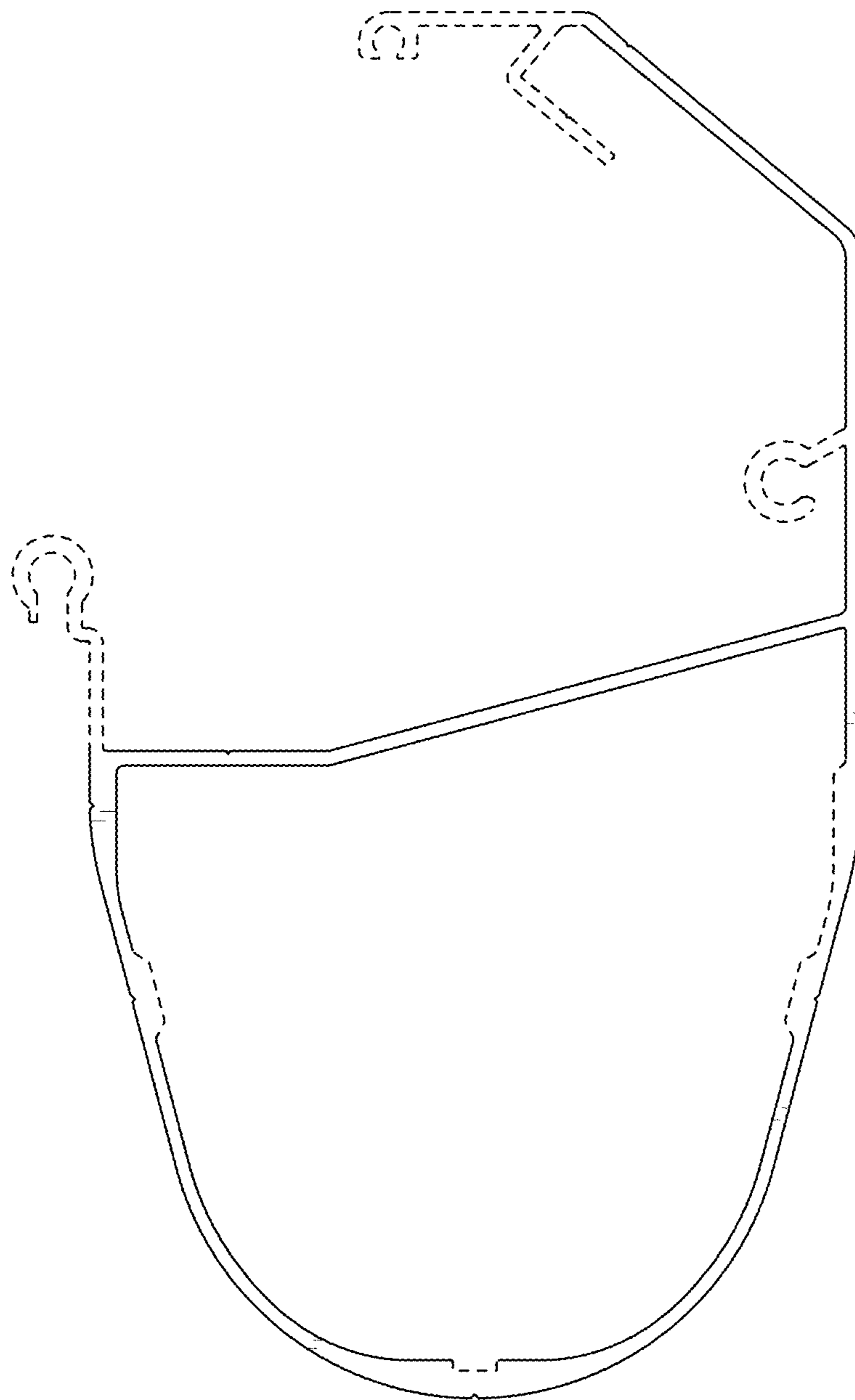


FIG. 3

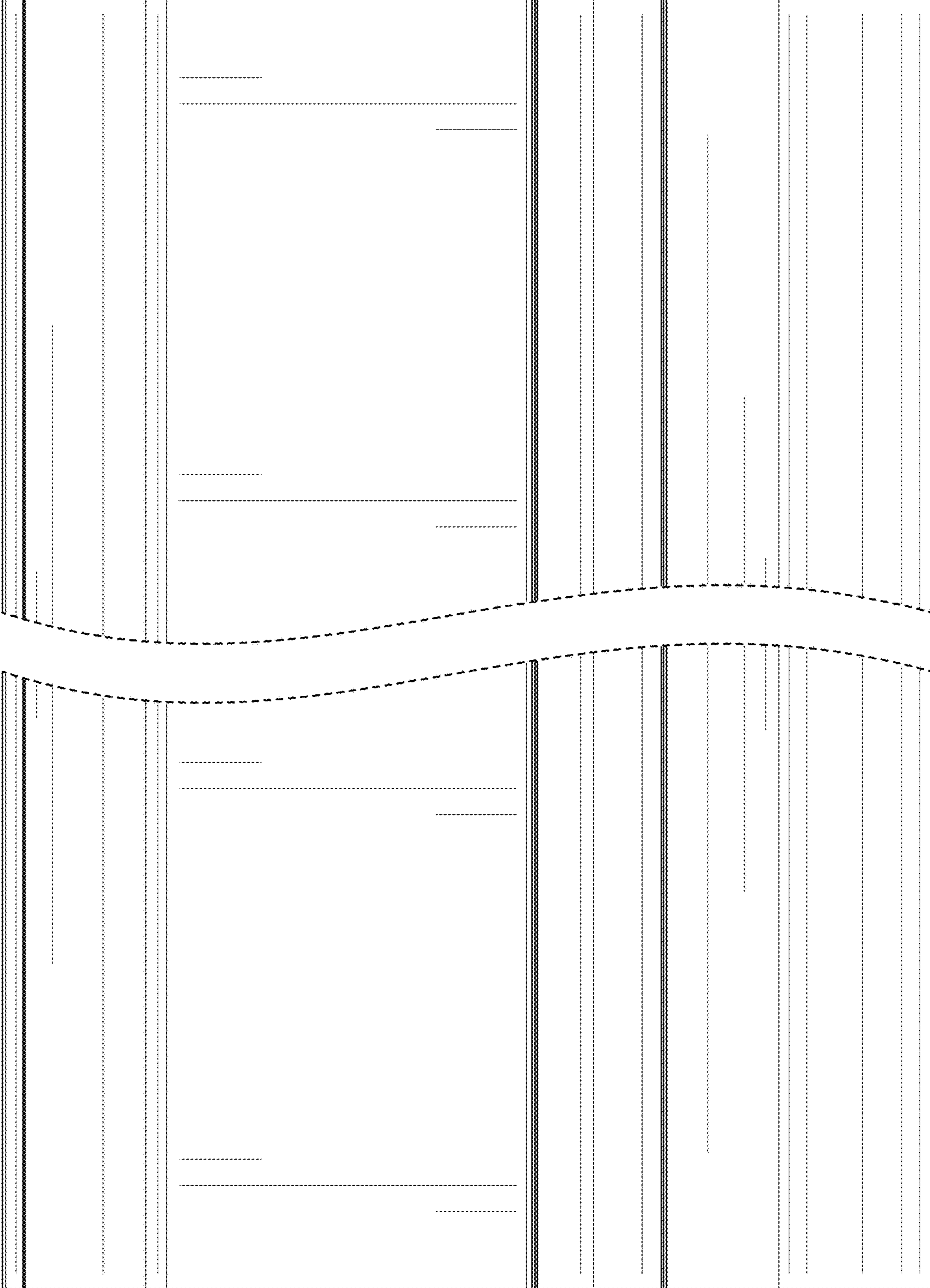


FIG. 4

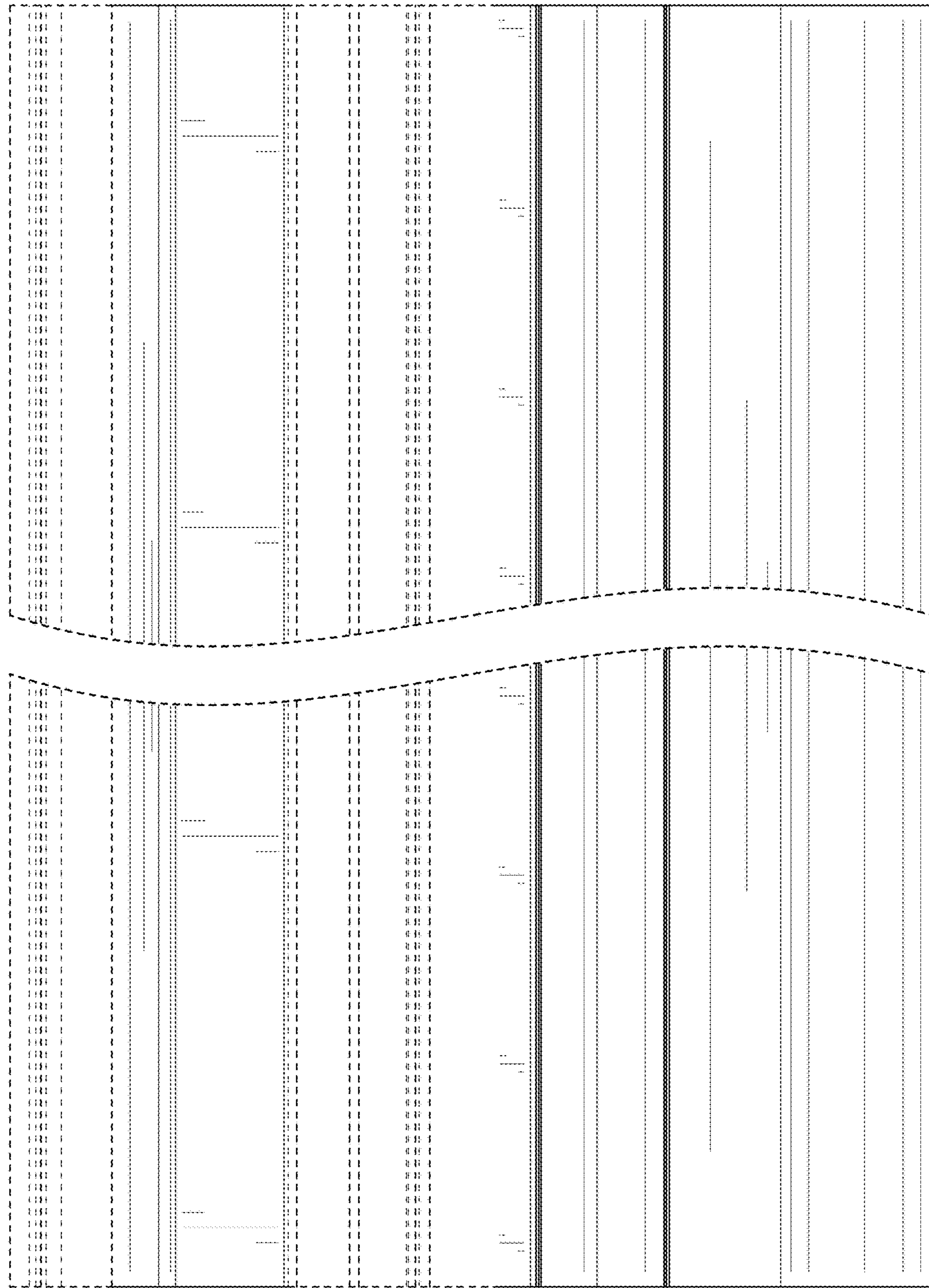


FIG. 5

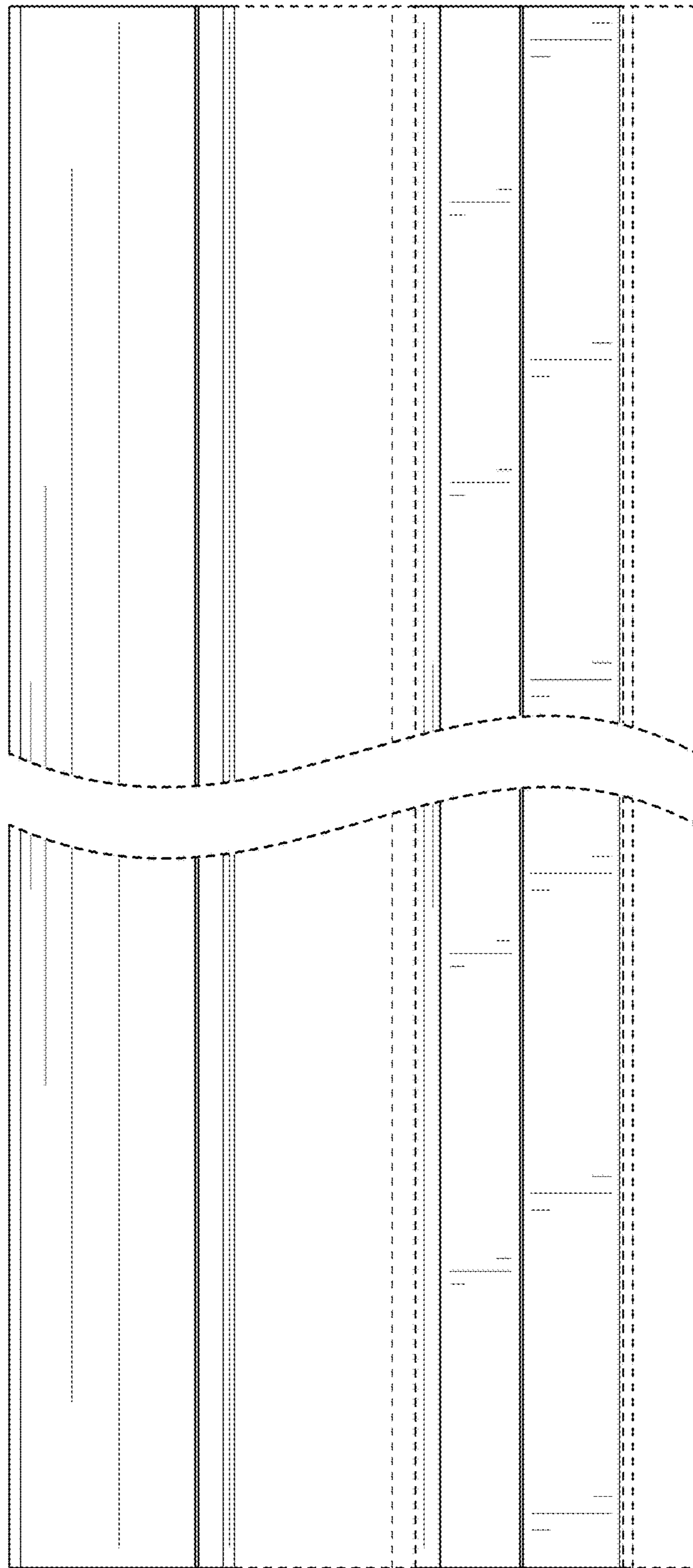


FIG. 6

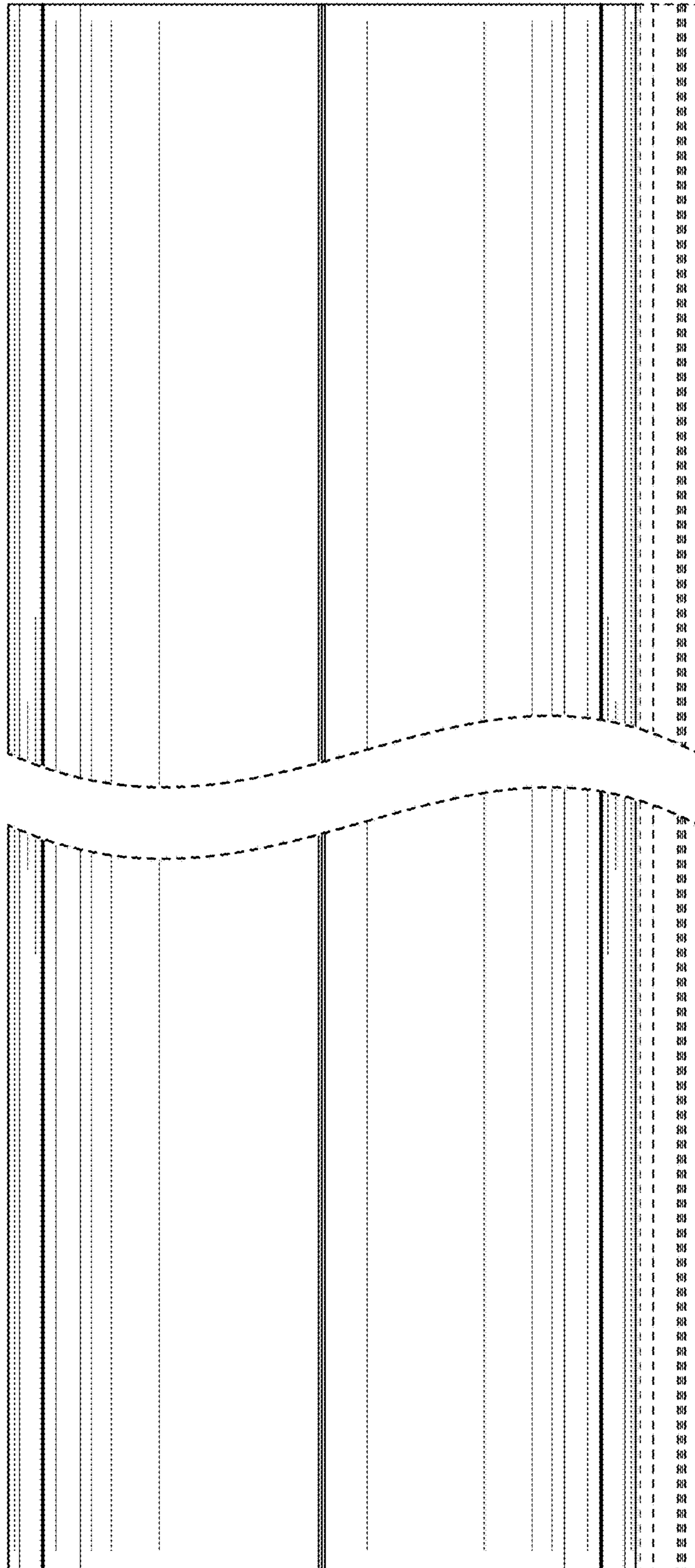


FIG. 7