



US00D831174S

(12) **United States Design Patent**
Lee et al.

(10) **Patent No.:** **US D831,174 S**

(45) **Date of Patent:** **** Oct. 16, 2018**

(54) **CONNECTING DEVICE FOR PIPE**

(71) Applicant: **PPI PYUNGWHA CO., LTD.**,
Hwaseong-si, Gyeonggi-Do (KR)

(72) Inventors: **Jong-Ho Lee**, Seongnam-Si (KR);
Hye-Jung Lee, Seongnam-Si (KR);
Jong-Tae Lee, Seoul (KR); **Il-Haeng Lee**, Pocheon-si (KR)

(73) Assignee: **PPI PYUNGWHA CO., LTD.**,
Hwaseong-si (KR)

(**) Term: **15 Years**

(21) Appl. No.: **29/622,029**

(22) Filed: **Oct. 13, 2017**

(30) **Foreign Application Priority Data**

Aug. 17, 2017 (KR) 30-2017-0038144

(51) **LOC (11) Cl.** **23-01**

(52) **U.S. Cl.**
USPC **D23/263**

(58) **Field of Classification Search**
USPC D23/259, 262–263, 265, 264, 268;
D8/394, 396; 285/179, 179.1, 180–181,
285/183–185
CPC F16L 43/001; F16L 43/002; F16L 43/008;
F16L 21/005; F16L 21/06; F16L 213/08;
F16L 21/04
See application file for complete search history.

(56) **References Cited**

U.S. PATENT DOCUMENTS

D229,410 S * 11/1973 Luckenbill et al. D23/263
D291,481 S * 8/1987 Vassallo D23/263
6,450,551 B1 * 9/2002 Lee F16L 17/04
285/373
D482,103 S * 11/2003 Snyder, Sr. D23/263

D523,123 S * 6/2006 Wilk, Jr. D23/262
D615,631 S * 5/2010 Price D23/263
D676,941 S * 2/2013 Kluss D23/262
D733,266 S * 6/2015 Bednarz D23/263
D739,508 S * 9/2015 Menno D23/263
D739,509 S * 9/2015 Bazemore D23/263
D767,105 S * 9/2016 Richards D23/263
2013/0200609 A1 * 8/2013 Dole F16L 17/04
285/132.1
2015/0021911 A1 * 1/2015 Bowman F16L 21/005
285/340

* cited by examiner

Primary Examiner — Eric L Goodman

Assistant Examiner — Amy C Wierenga

(74) *Attorney, Agent, or Firm* — Sughrue Mion, PLLC

(57) **CLAIM**

The ornamental design for a connecting device for pipe, as shown and described.

DESCRIPTION

FIG. 1 is a front perspective view of a connecting device for pipe showing our new design;
FIG. 2 is a front view thereof;
FIG. 3 is a rear view thereof;
FIG. 4 is a left-side view thereof;
FIG. 5 is a right-side view thereof;
FIG. 6 is a top plan view thereof;
FIG. 7 is a bottom plan view thereof;
FIG. 8 is a rear perspective view thereof;
FIG. 9 is a bottom-rear-perspective view thereof; and,
FIG. 10 is a cross sectional view taken through line 10-10 of FIG. 2.

The connective device for which the design of shape and configuration is claimed is a device which fastens or fixes two pipes.

1 Claim, 6 Drawing Sheets

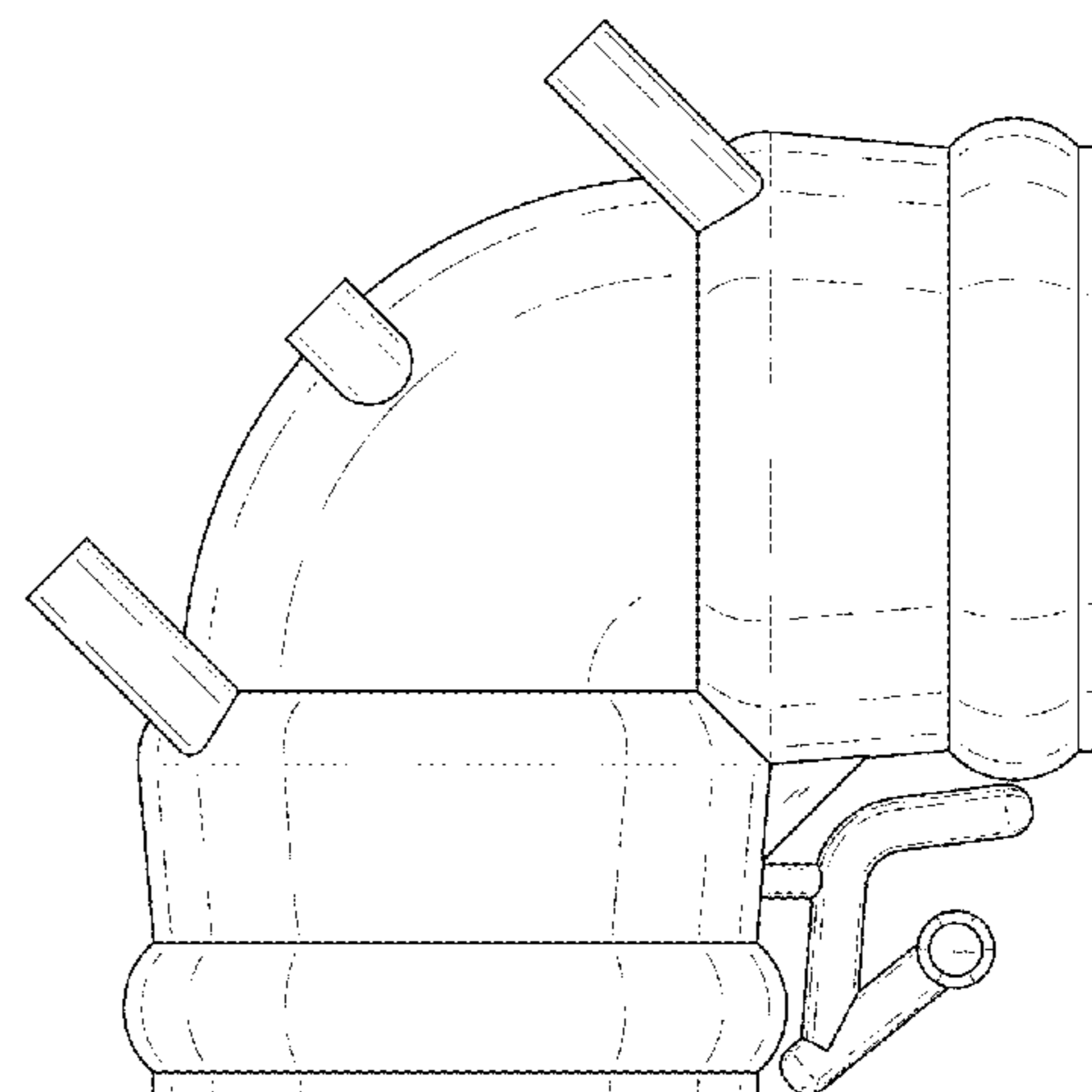
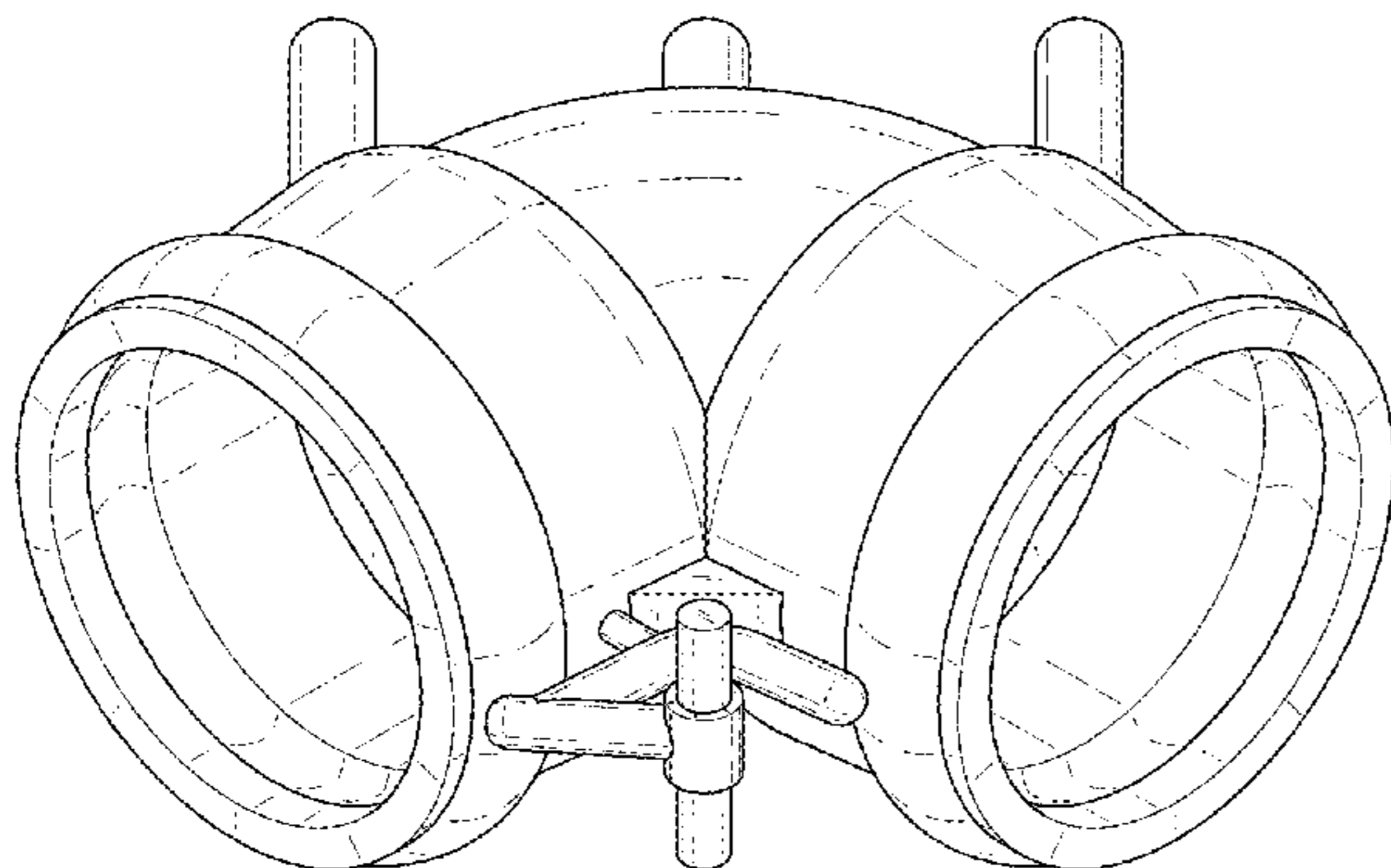


FIG. 1

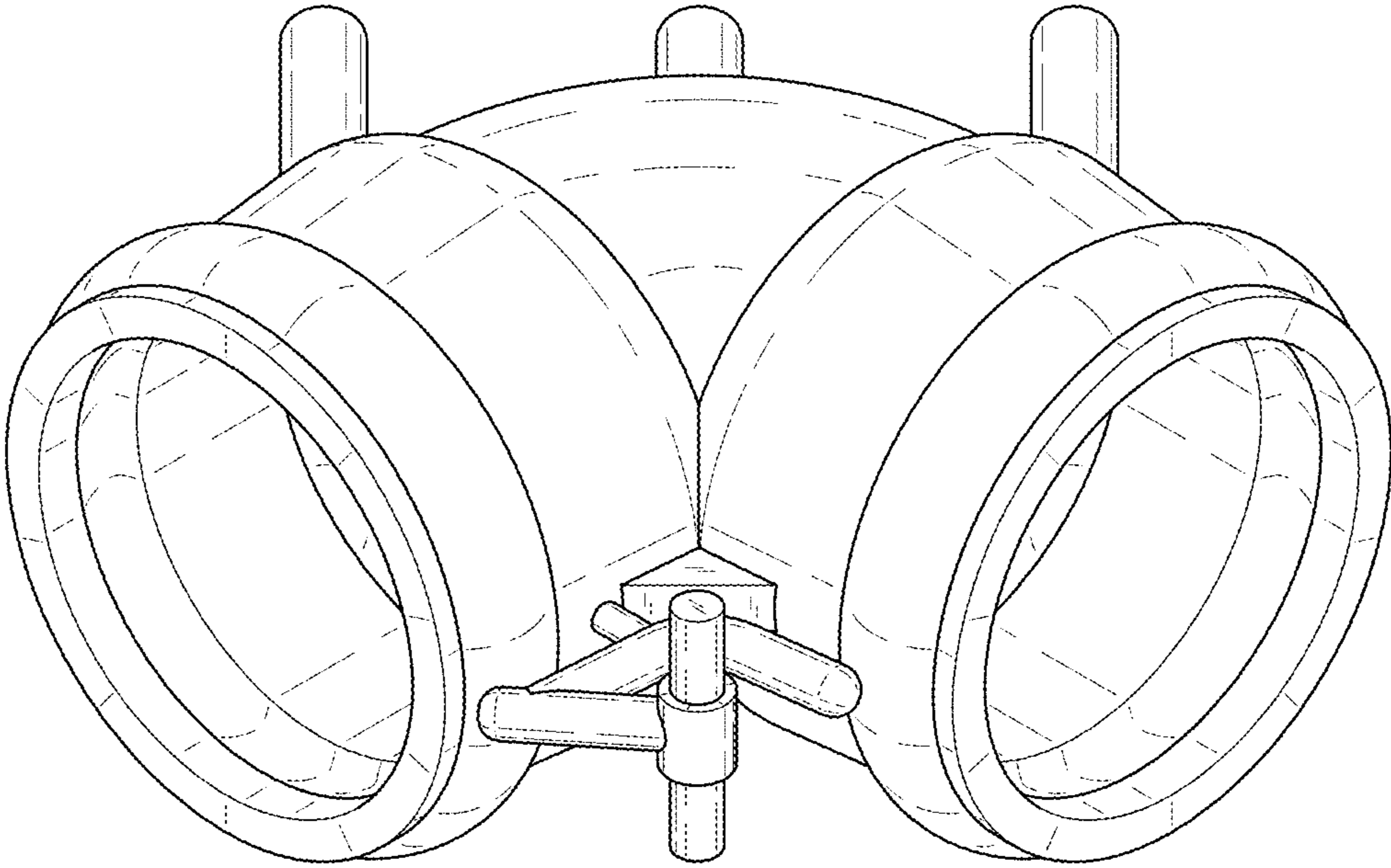


FIG. 2

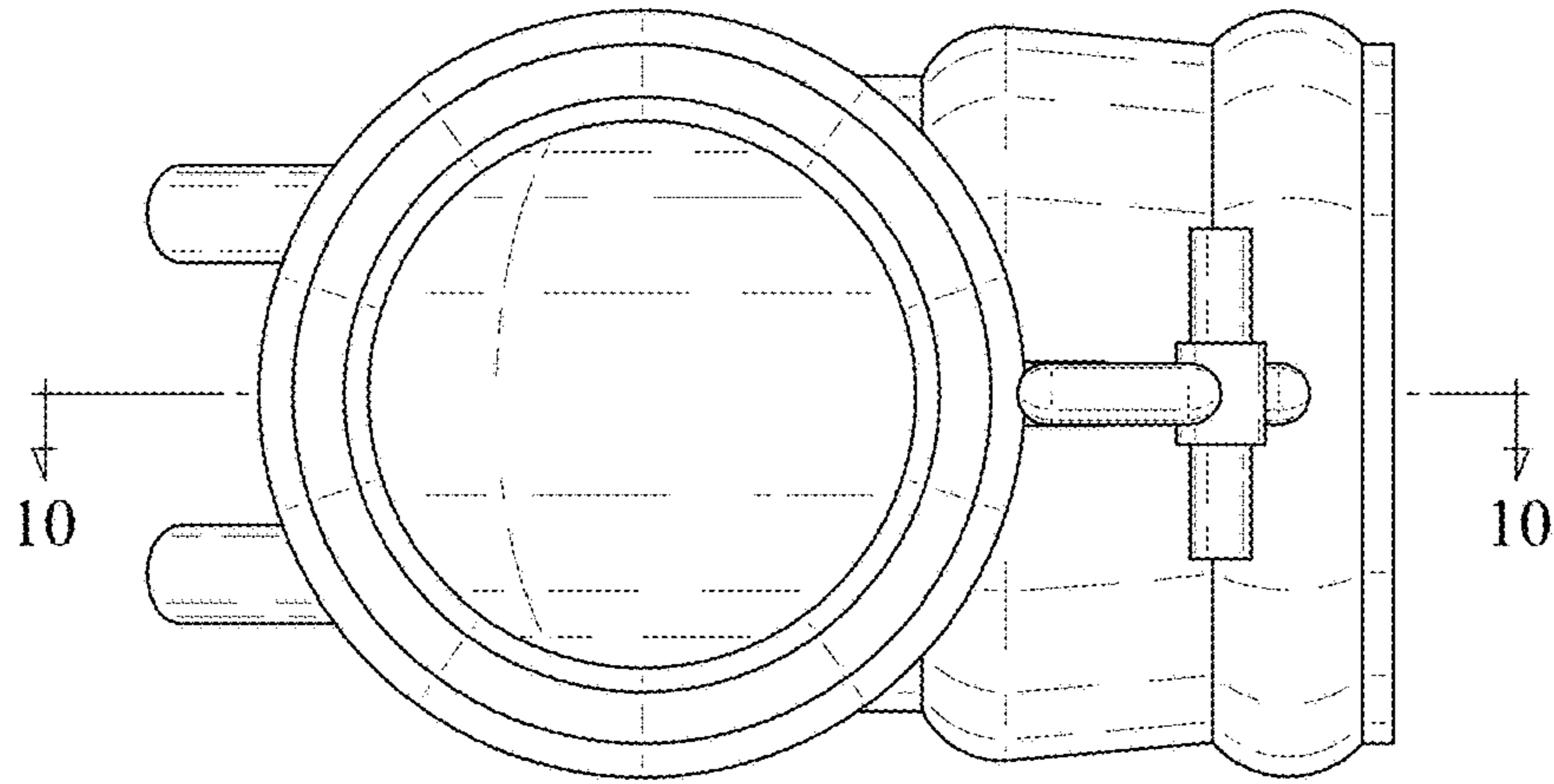


FIG. 3

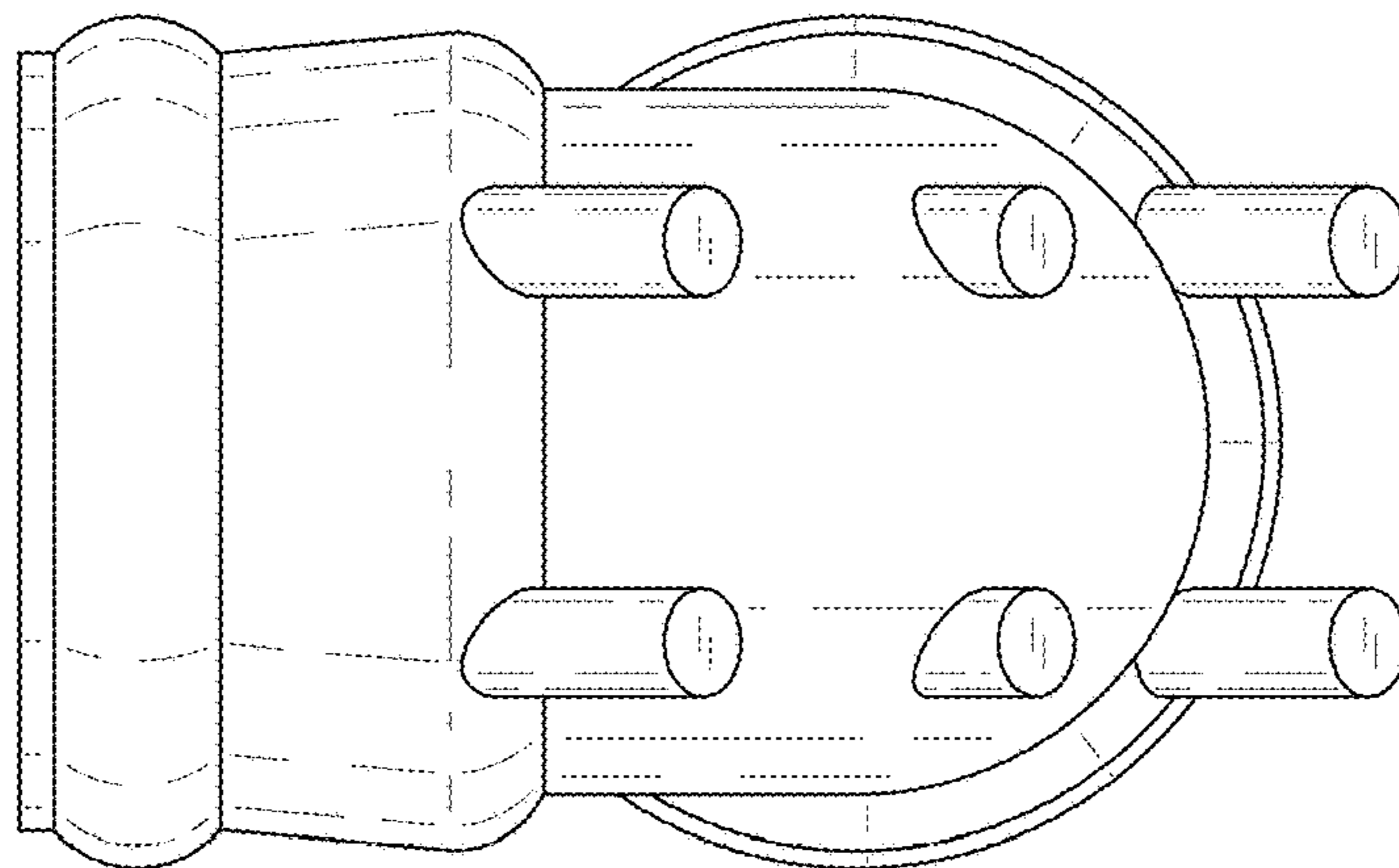


FIG. 4

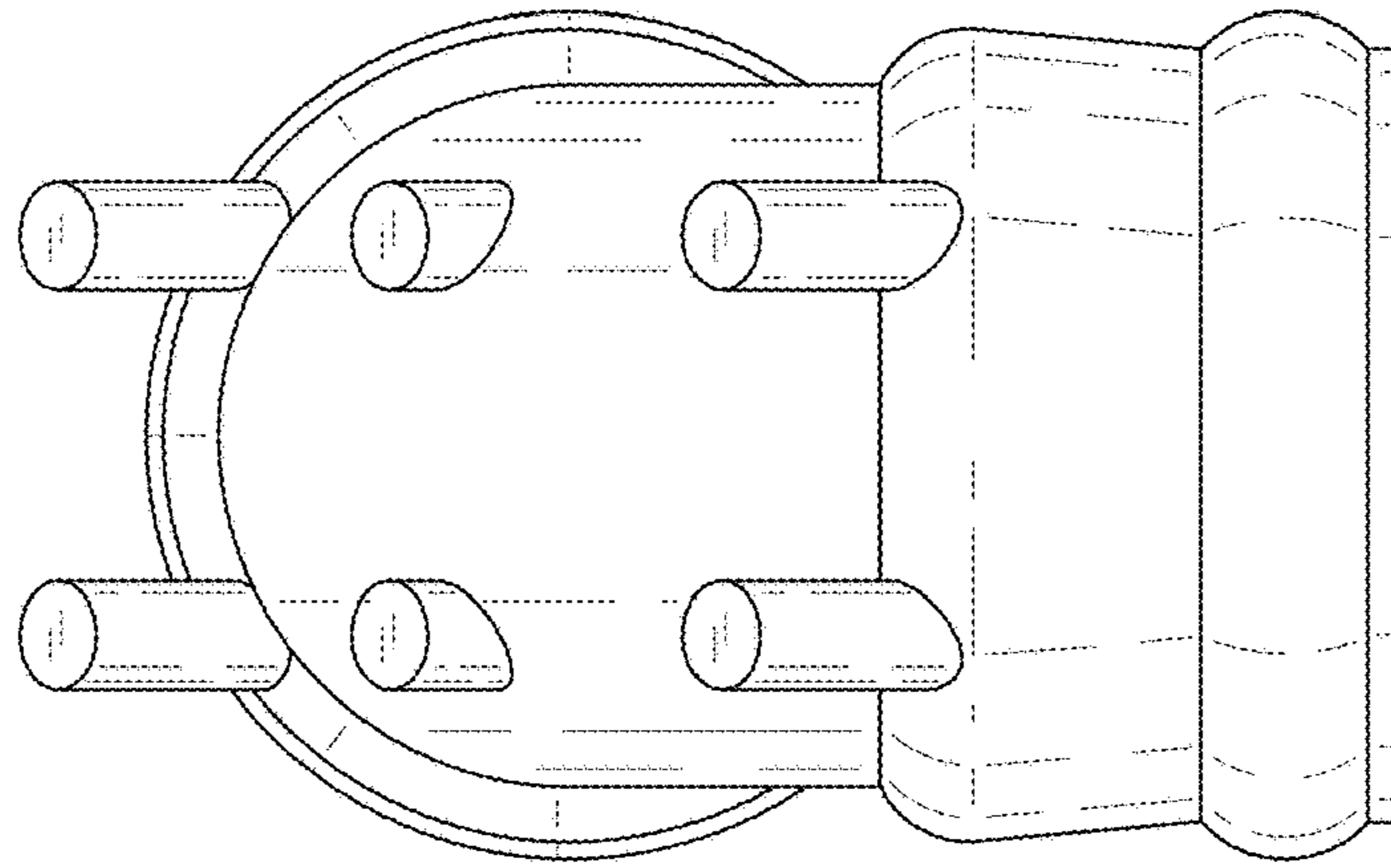


FIG. 5

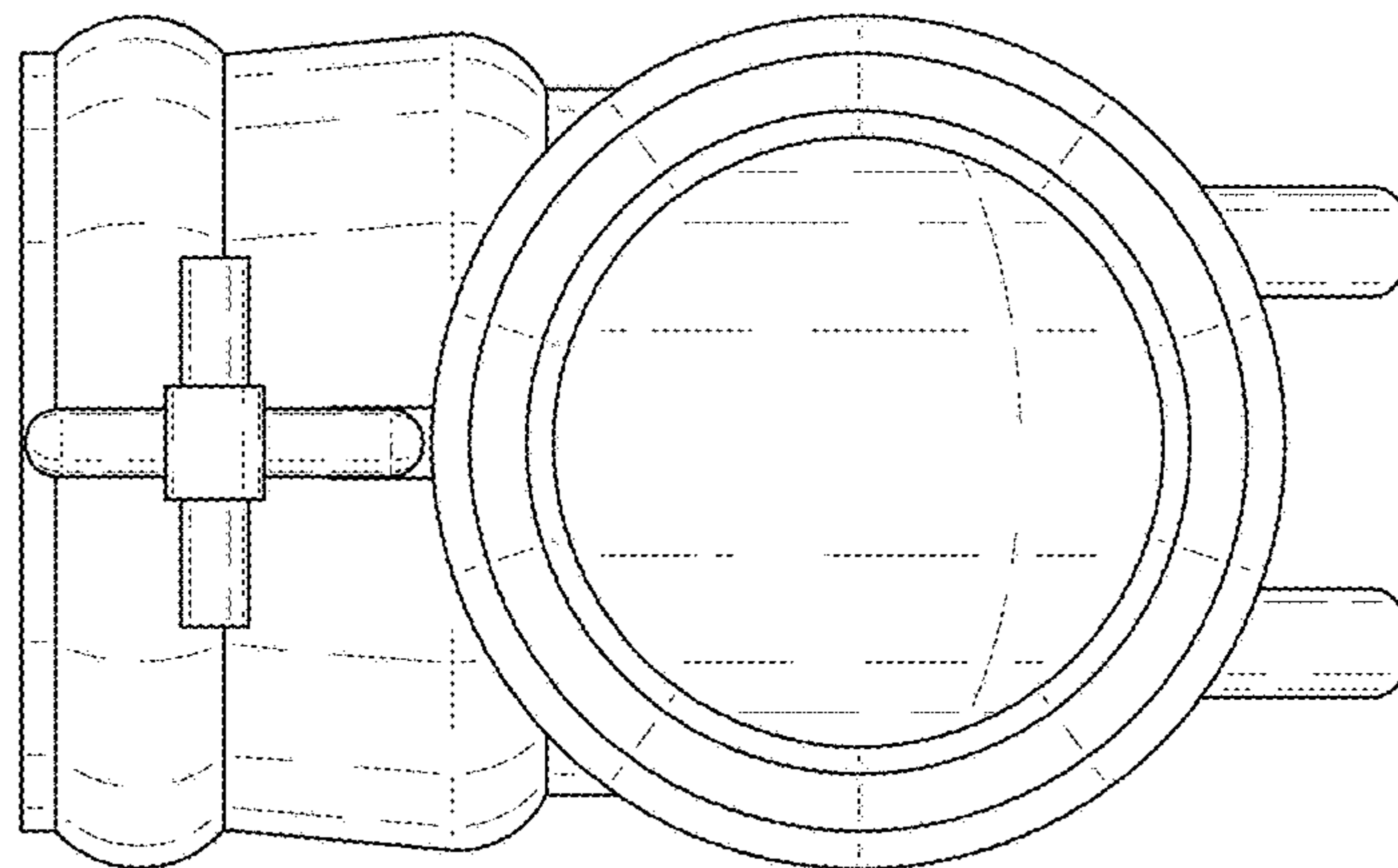


FIG. 6

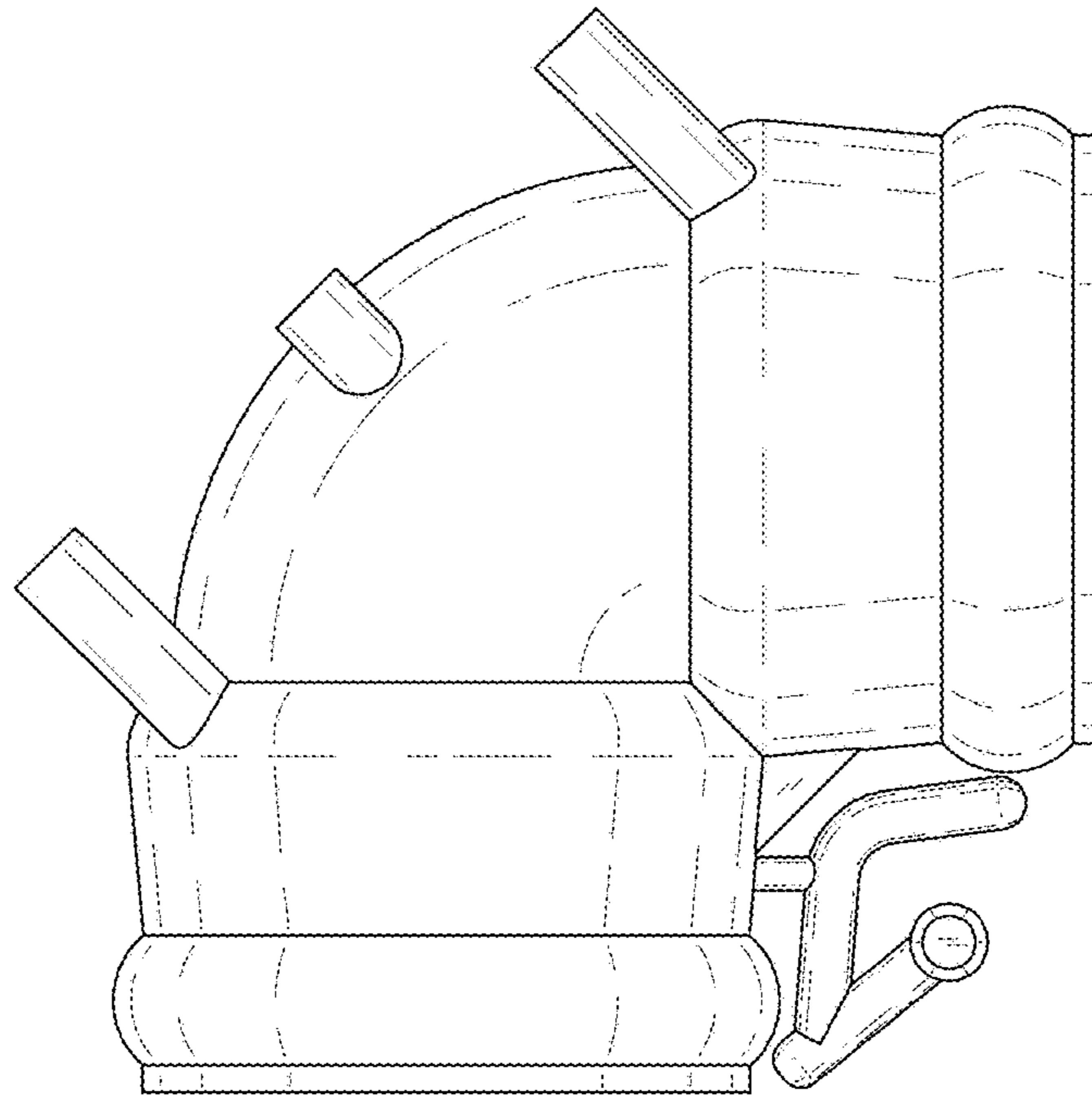


FIG. 7

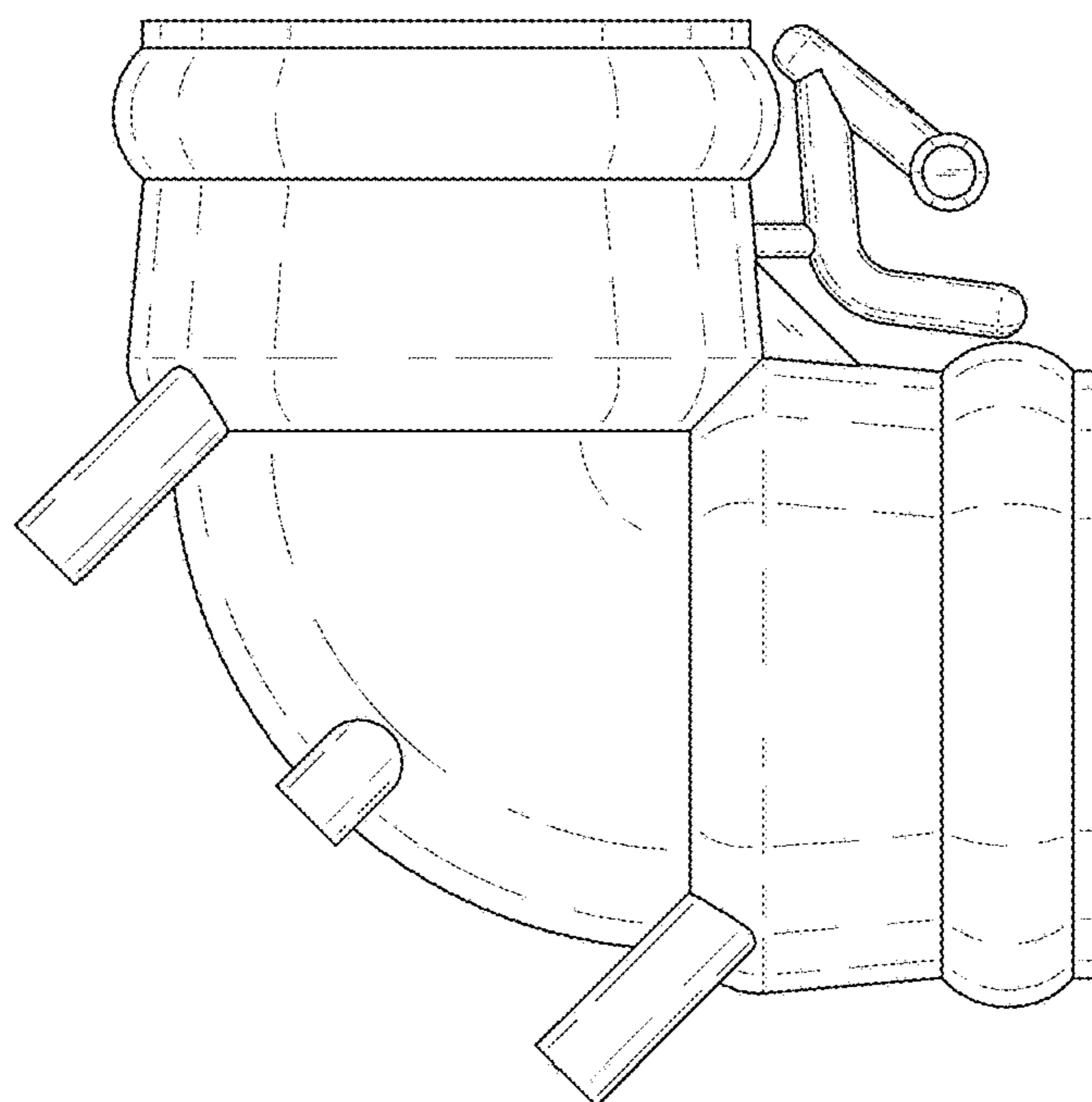


FIG. 8

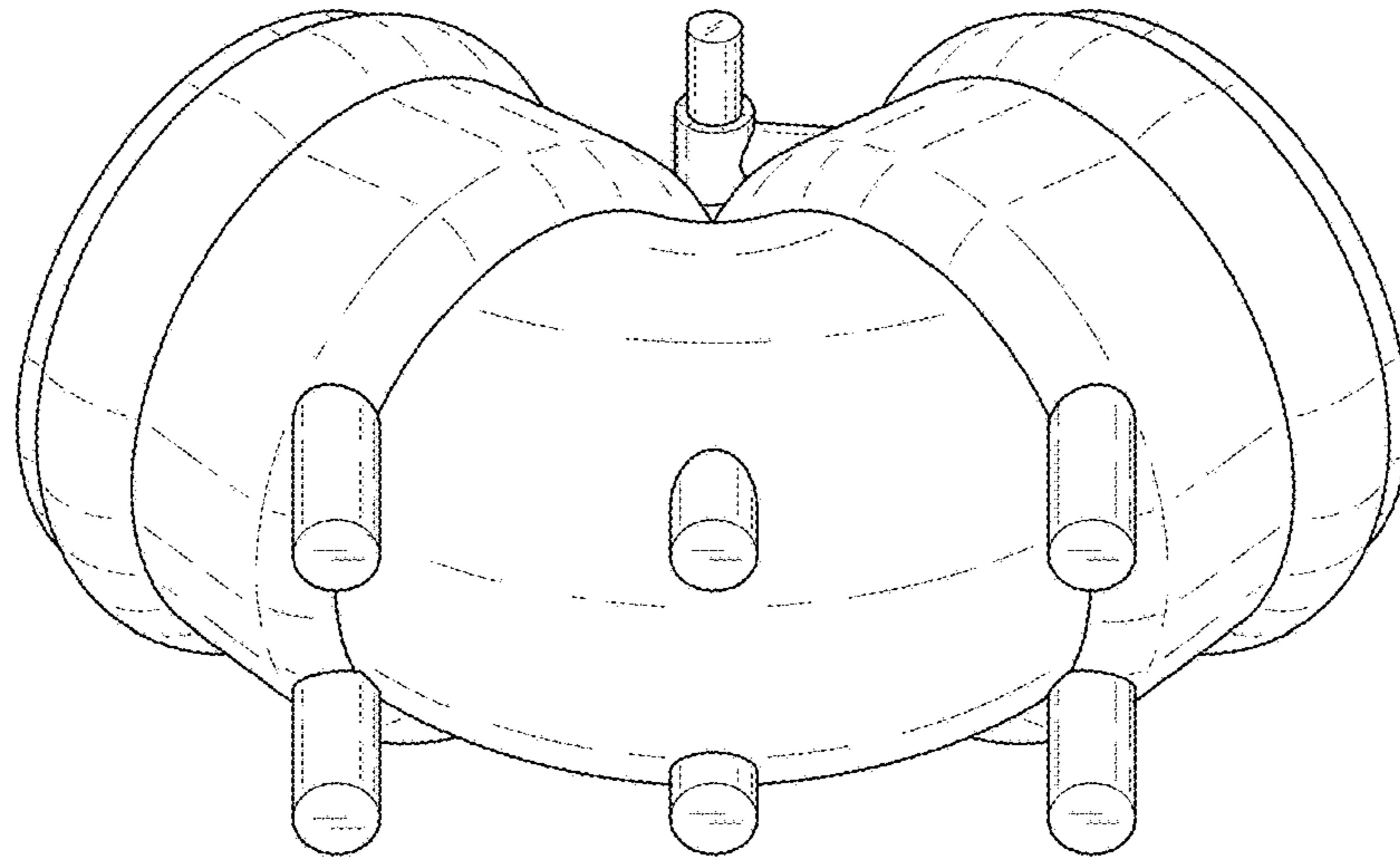


FIG. 9

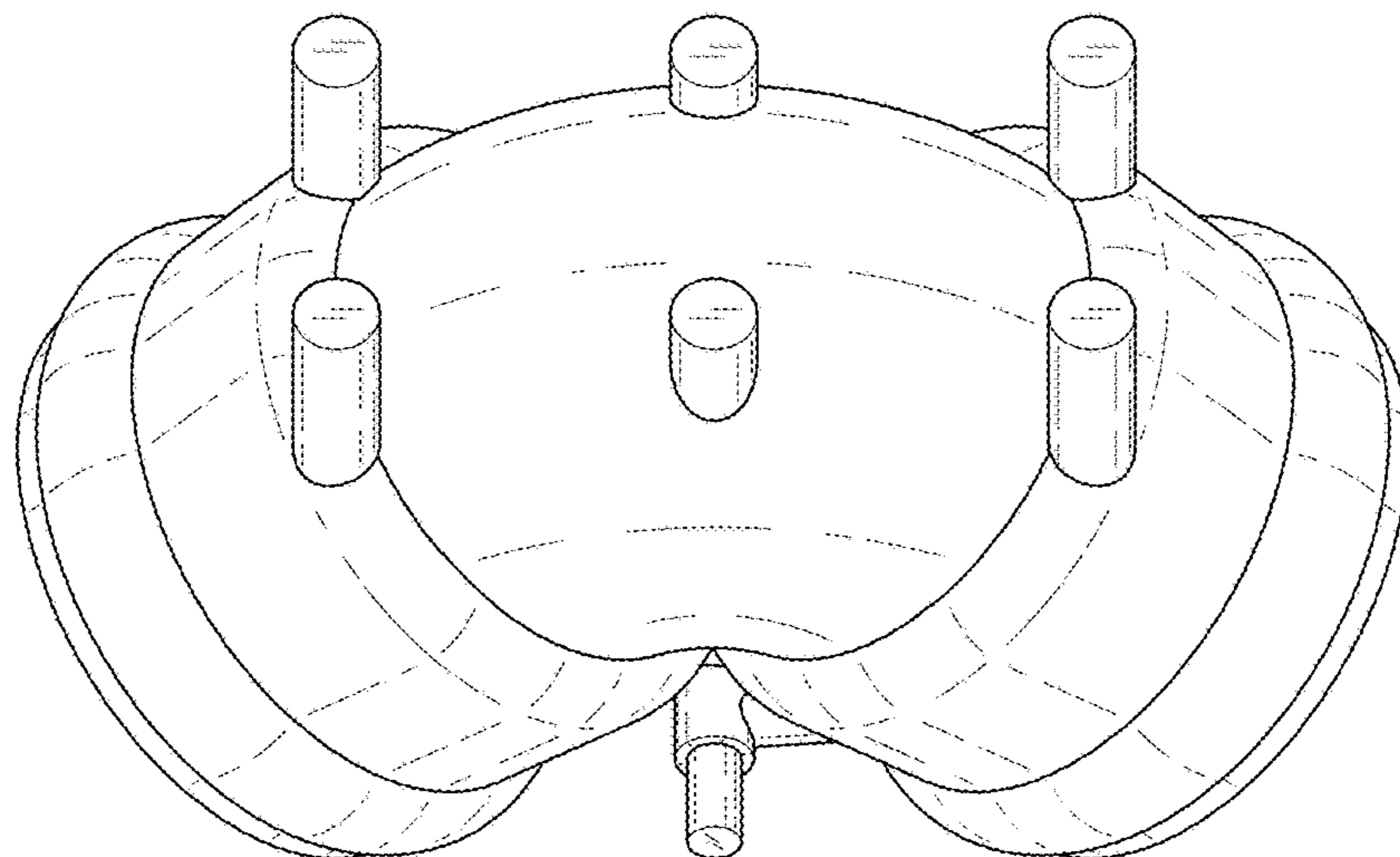


FIG. 10

