



US00D831171S

(12) **United States Design Patent**
Schluter

(10) **Patent No.:** **US D831,171 S**

(45) **Date of Patent:** **** Oct. 16, 2018**

(54) **DRAIN GRATE**

(71) Applicant: **Schluter Systems L.P.**, Plattsburgh, NY (US)

(72) Inventor: **Werner Schluter**, Plattsburgh, NY (US)

(73) Assignee: **Schluter Systems L.P.**, Plattsburgh, NY (US)

(**) Term: **15 Years**

(21) Appl. No.: **29/610,012**

(22) Filed: **Jul. 7, 2017**

(51) **LOC (11) Cl.** **23-01**

(52) **U.S. Cl.**
USPC **D23/261**

(58) **Field of Classification Search**
USPC D23/259–261, 267–268, 388, 397, 400, D23/406; 404/2–4; 210/163–164, 166; 454/275–277, 284, 289, 291; 4/613, 287, 4/679, 680–684, 689–694, 671–673
CPC E03C 1/12; E03C 1/20; E03C 1/23; E03C 1/26; E03C 1/262; E03C 1/284; E03C 1/2302; E03C 1/2306; E03C 1/2001; E03C 1/2413; E03C 2001/2413; E03F 5/0408; E03F 5/06; E03F 5/00407; E03F 5/052; A47K 1/14; A47K 3/405; A47K 3/40

See application file for complete search history.

(56) **References Cited**

U.S. PATENT DOCUMENTS

D15,618 S * 12/1884 Lighton D23/388
D274,210 S 6/1984 Haggard
D282,003 S 12/1985 Wermuth
4,592,165 A 6/1986 Sisk
D285,406 S 9/1986 Haggard
D291,049 S 7/1987 Haggard
5,130,016 A 7/1992 Gavin

5,984,776 A * 11/1999 Berger F24F 13/085
454/290
D492,425 S 6/2004 Johnson
D556,885 S * 12/2007 Suri D23/388
D575,881 S 8/2008 Diamond
D587,346 S * 2/2009 Diamond D23/261
8,096,002 B2 * 1/2012 Stimpson E03F 5/0408
210/163
D672,439 S 12/2012 Heiser et al.
D687,526 S 8/2013 Heiser
D687,527 S * 8/2013 Heiser D23/261
D689,989 S 9/2013 Vessels et al.
D689,990 S 9/2013 Vessels et al.
D689,991 S 9/2013 Vessels et al.
D689,992 S 9/2013 Vessels et al.
D694,863 S 12/2013 Brodey et al.
D701,293 S 3/2014 Mjelde

(Continued)

OTHER PUBLICATIONS

Kerdi-Drain-Style & Kerdi-Line-Style, https://www.schluter.com/schluter-us/en_US/kerdi-drain-line-style, Copyright 2017, [Visited Online Jun. 11, 2018].*

(Continued)

Primary Examiner — Eric L Goodman

Assistant Examiner — Amy C Wierenga

(74) *Attorney, Agent, or Firm* — Thorpe North & Western, LLP

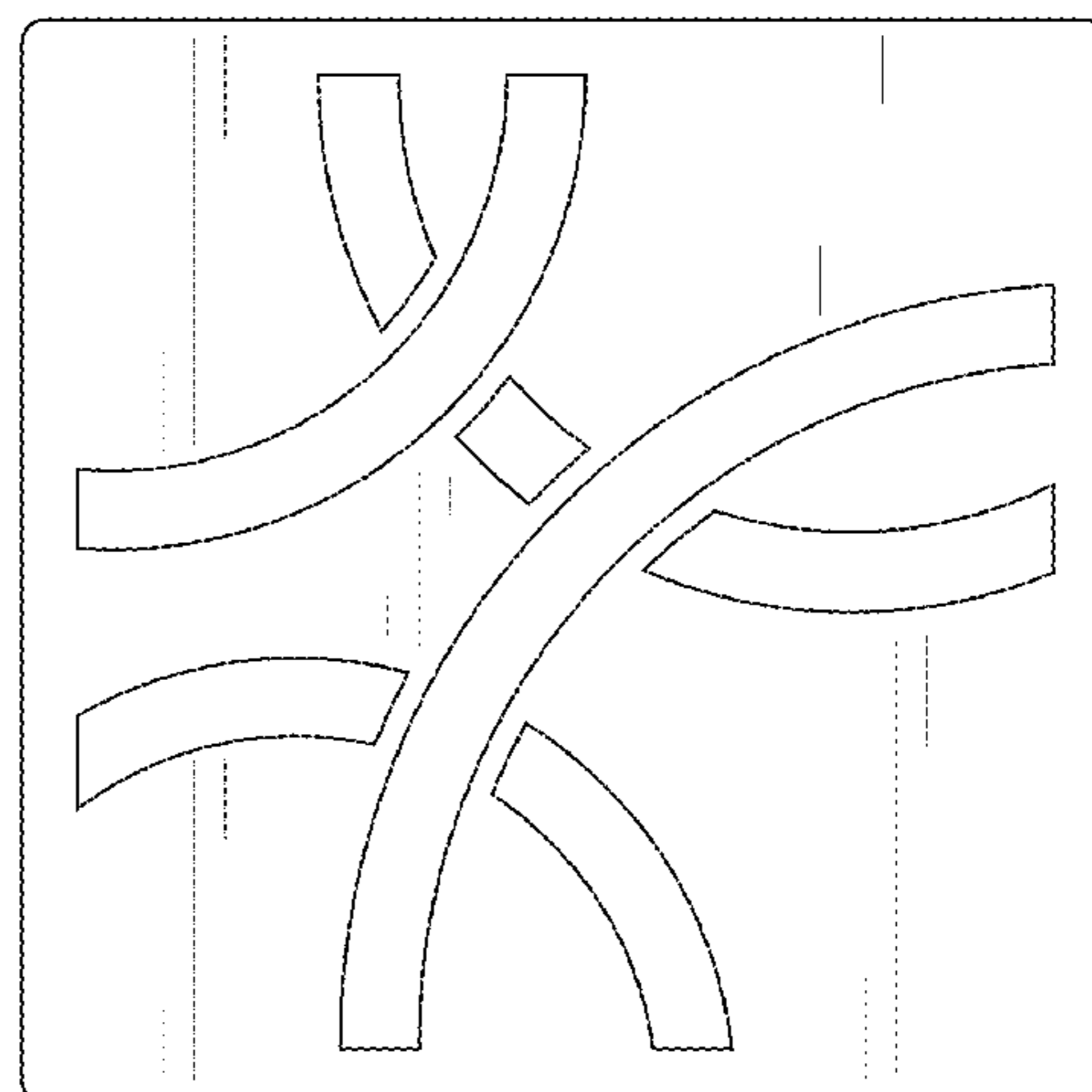
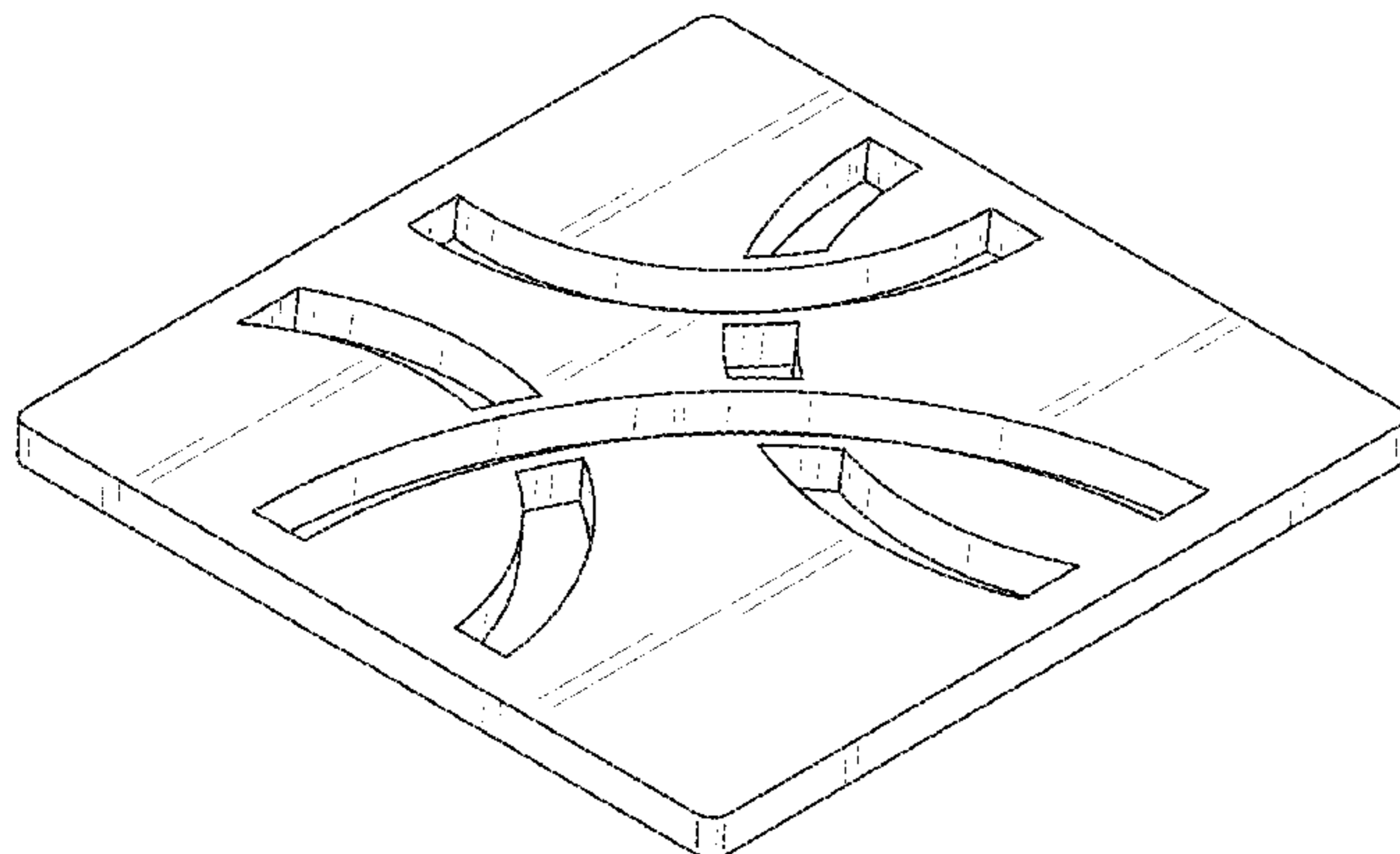
(57) **CLAIM**

The ornamental design for a drain grate, as shown and described.

DESCRIPTION

FIG. 1 is a perspective view of a drain grate embodying my new design;
FIG. 2 is a top view thereof; and,
FIG. 3 is a side view thereof, all other side views being mirror images thereof.

1 Claim, 2 Drawing Sheets



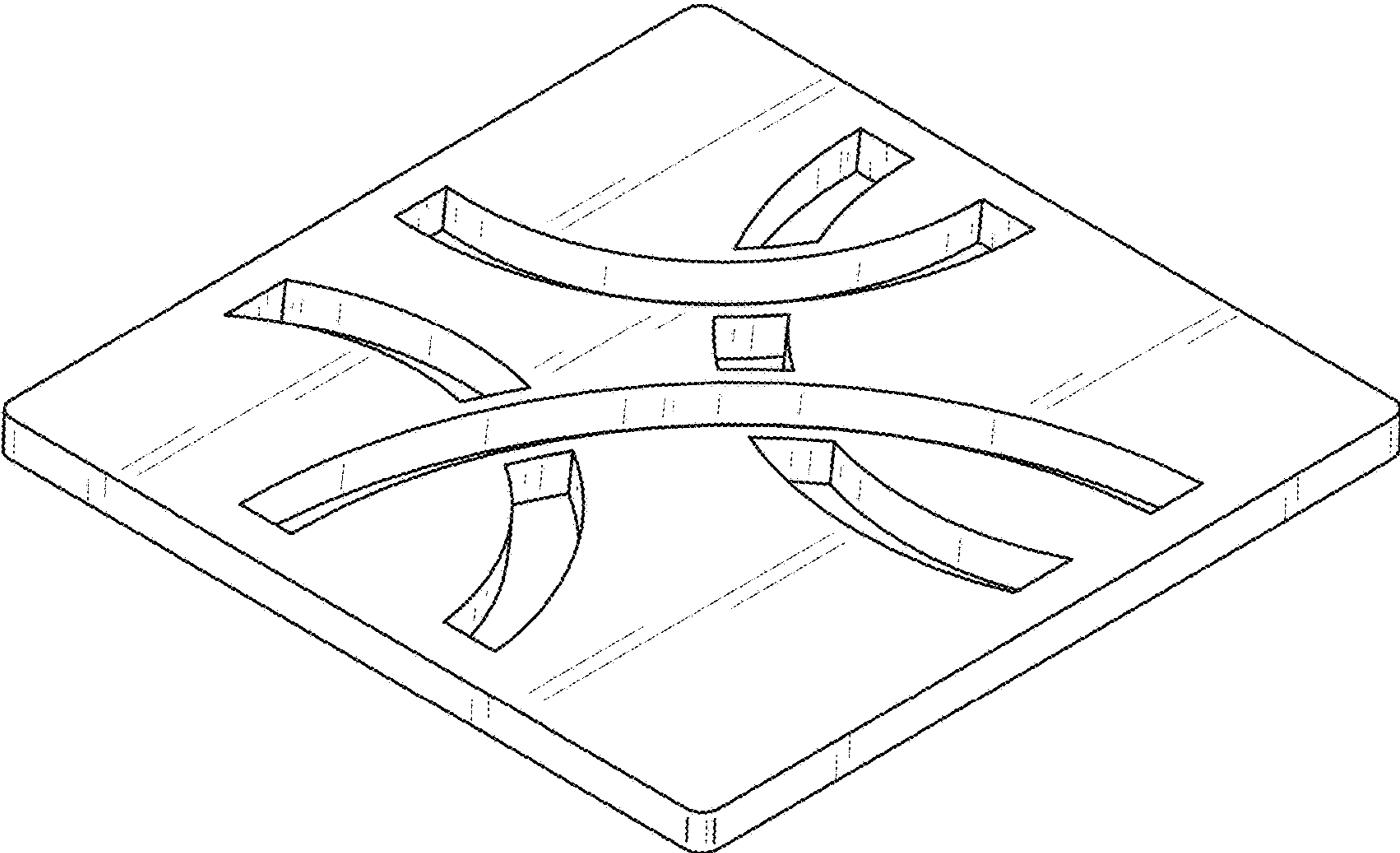


FIG. 1

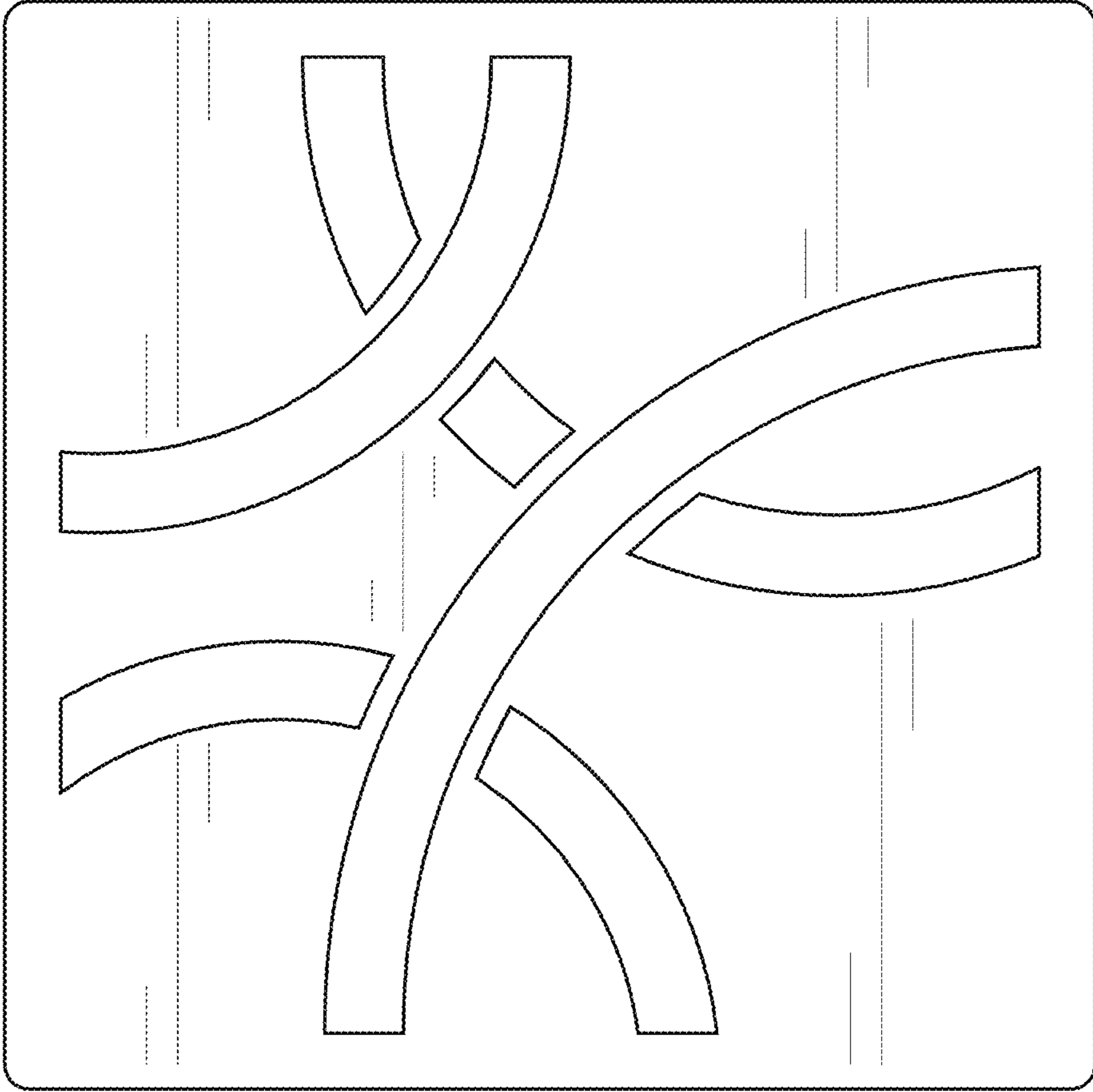


FIG. 2



FIG. 3