



US00D831166S

(12) **United States Design Patent**
Garuti et al.

(10) **Patent No.:** **US D831,166 S**

(45) **Date of Patent:** **** Oct. 16, 2018**

(54) **TAP**

(71) Applicant: **CRISTINA S.r.l.**, Gozzano (IT)

(72) Inventors: **Andrea Garuti**, Corsico (IT); **Manuela Busetti**, Corsico (IT); **Matteo Redaelli**, Inverigo (IT)

(73) Assignee: **CRISTINA, S.R.L.**, Gozanno (IT)

(**) Term: **15 Years**

(21) Appl. No.: **29/602,161**

(22) Filed: **Apr. 28, 2017**

(30) **Foreign Application Priority Data**

Oct. 31, 2016 (EM) 003441559-0009

(51) **LOC (11) Cl.** **23-01**

(52) **U.S. Cl.**
USPC **D23/255**

(58) **Field of Classification Search**

USPC D23/238-242, 249, 255, 257
CPC Y10T 137/9464
See application file for complete search history.

(56) **References Cited**

U.S. PATENT DOCUMENTS

D429,316 S * 8/2000 McKeone D23/238

D461,230 S * 8/2002 Ko D23/255
D520,121 S * 5/2006 Hoernig D23/255
D618,311 S * 6/2010 Gao D23/255

* cited by examiner

Primary Examiner — Robert A Delehanty

(74) *Attorney, Agent, or Firm* — Mark Malek; Widerman Malek, PL

(57) **CLAIM**

The ornamental design for a tap, as shown and described.

DESCRIPTION

FIG. 1 is a perspective view of a tap according to the present invention.

FIG. 2 is a front elevation view of the tap illustrated in FIG. 1.

FIG. 3 is a rear elevation view of the tap illustrated in FIG. 1.

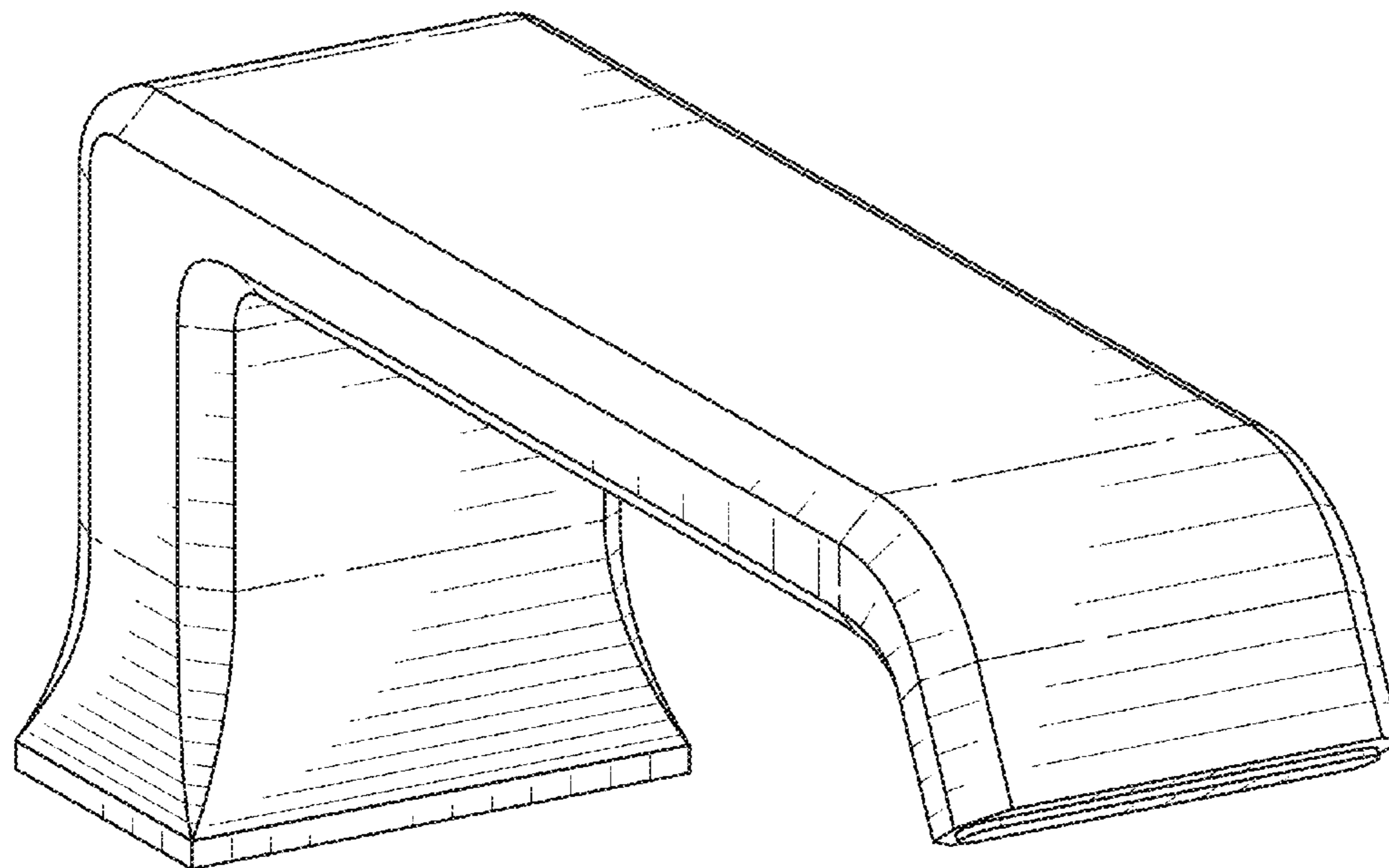
FIG. 4 is a left side elevation view of the tap illustrated in FIG. 1.

FIG. 5 is a right side elevation view of the tap illustrated in FIG. 1.

FIG. 6 is a top plan view of the tap illustrated in FIG. 1; and, FIG. 7 is a bottom plan elevation view of the tap illustrated in FIG. 1.

The broken lines in FIG. 7 represent unclaimed portions of the present invention.

1 Claim, 4 Drawing Sheets



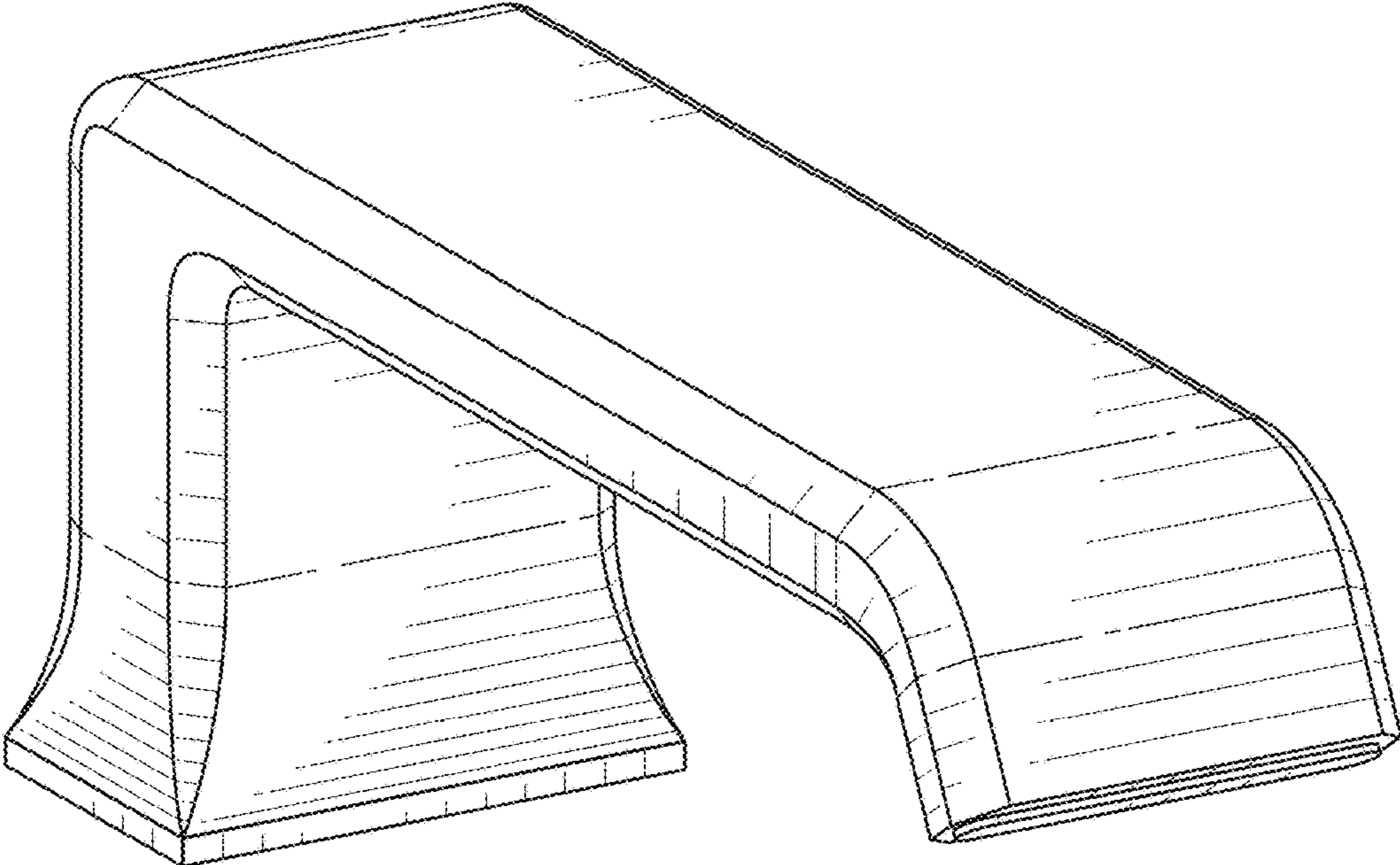


FIG. 1

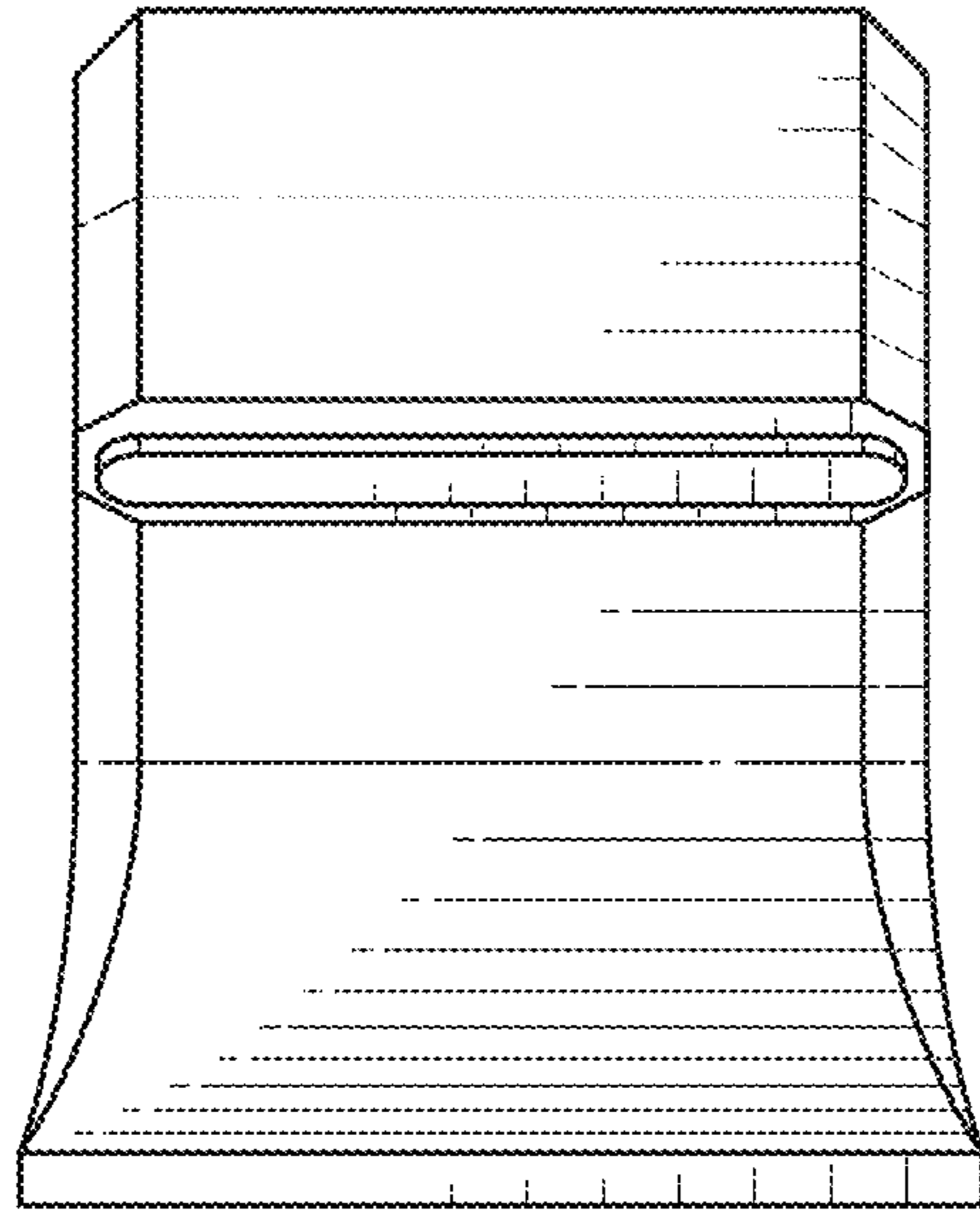


FIG. 2

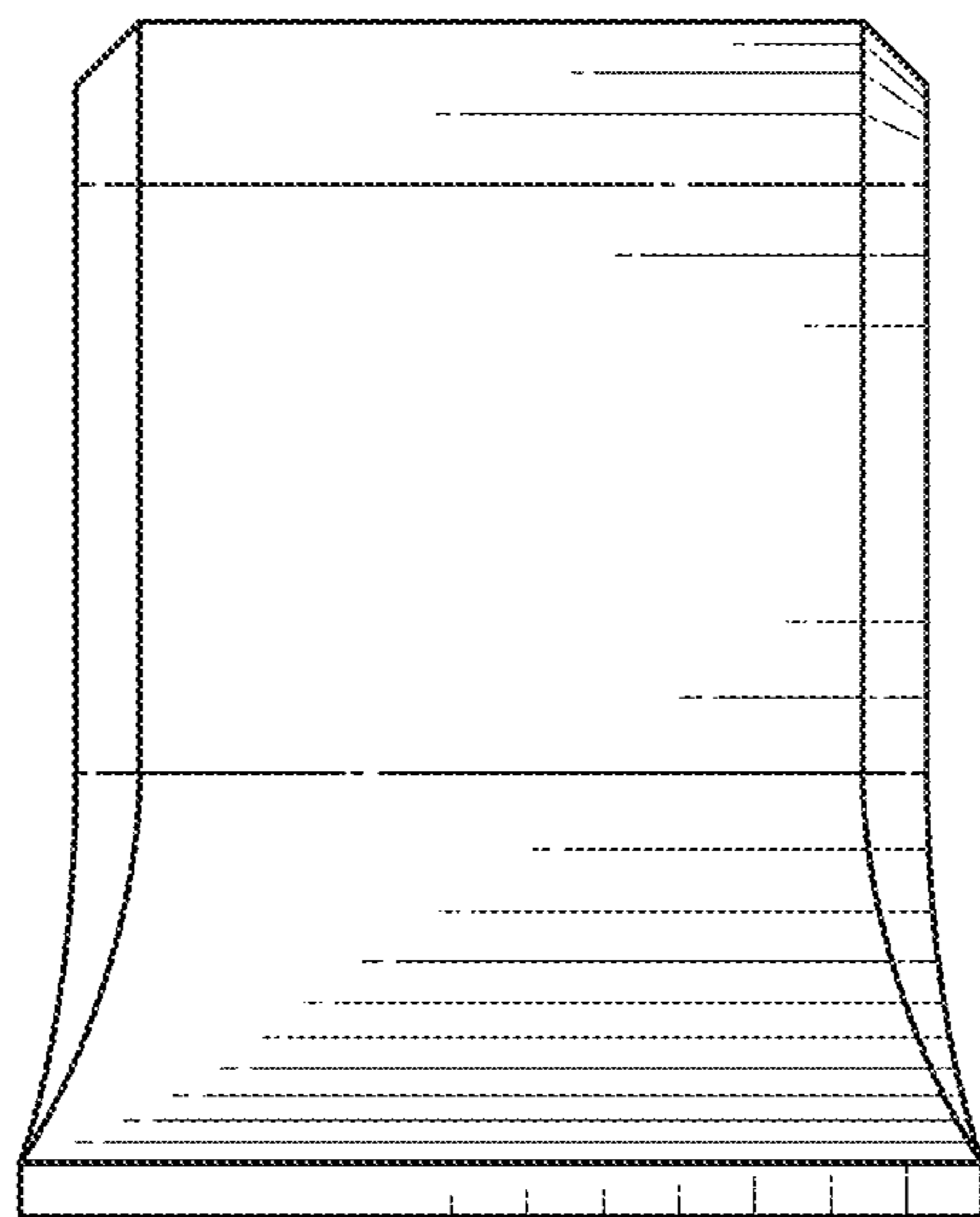


FIG. 3

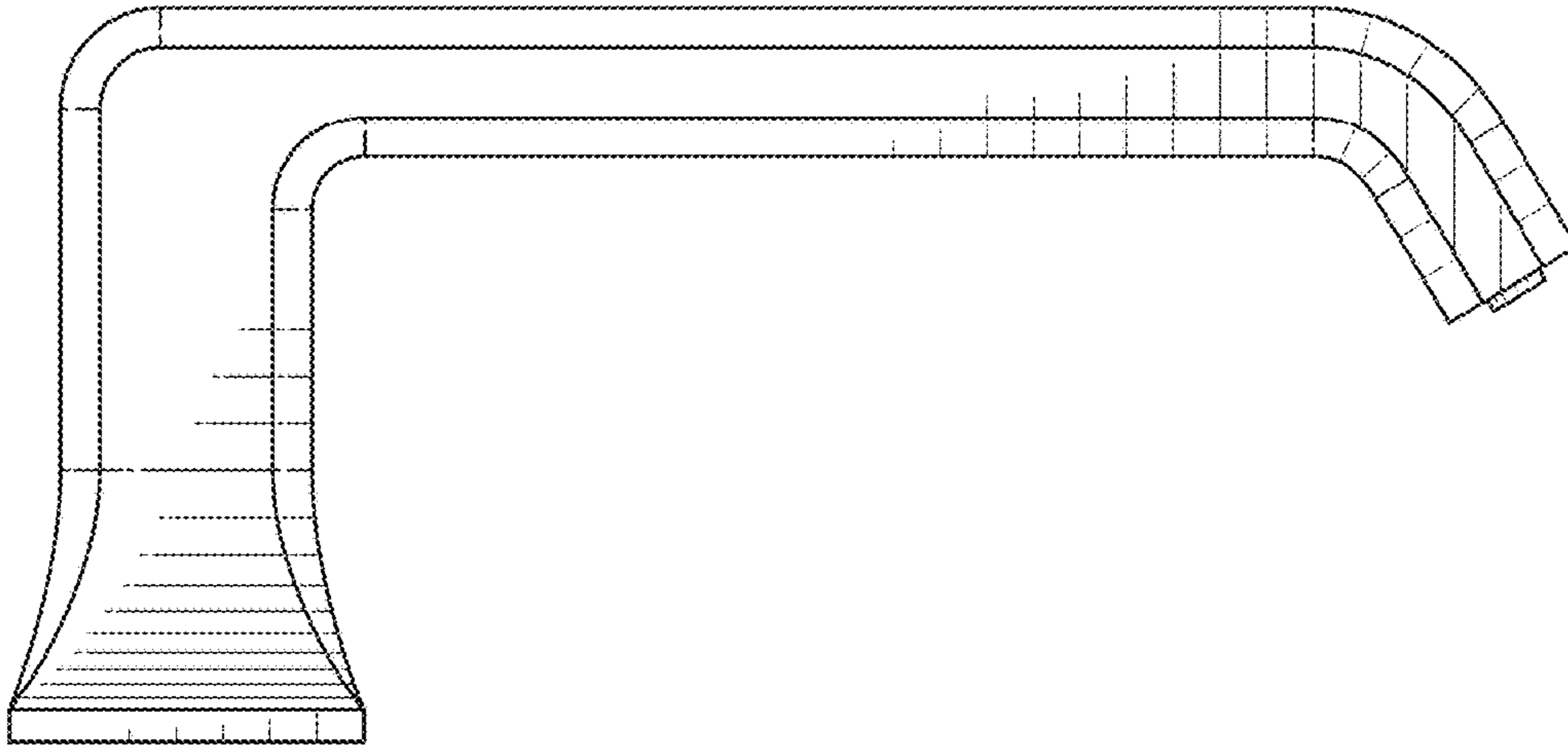


FIG. 4

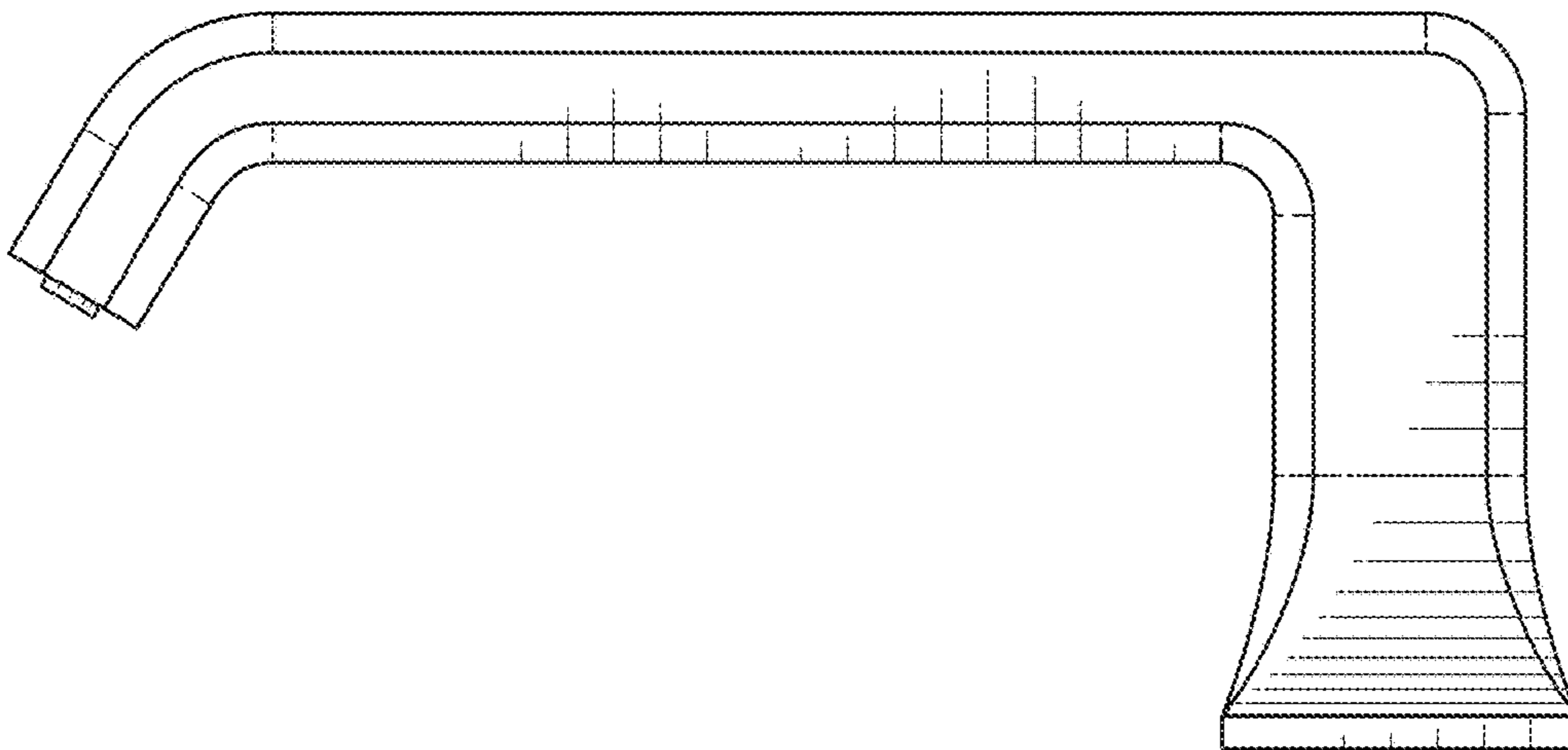


FIG. 5

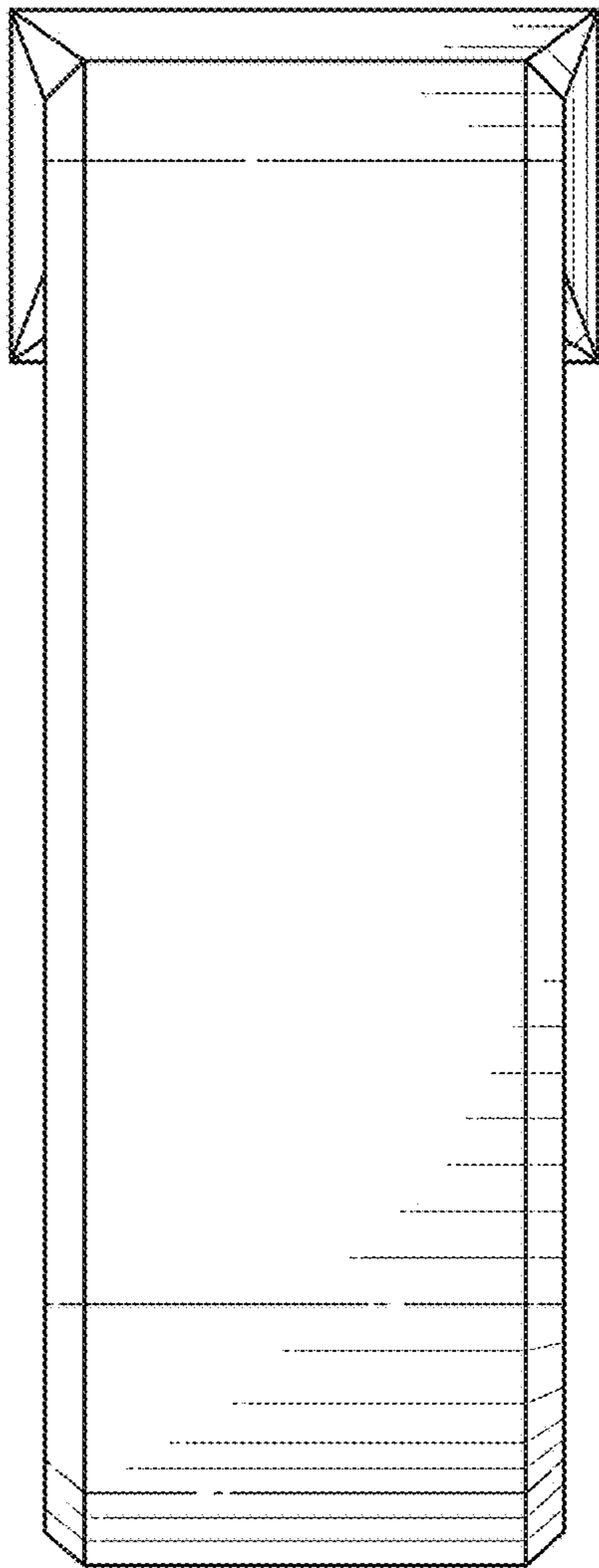


FIG. 6

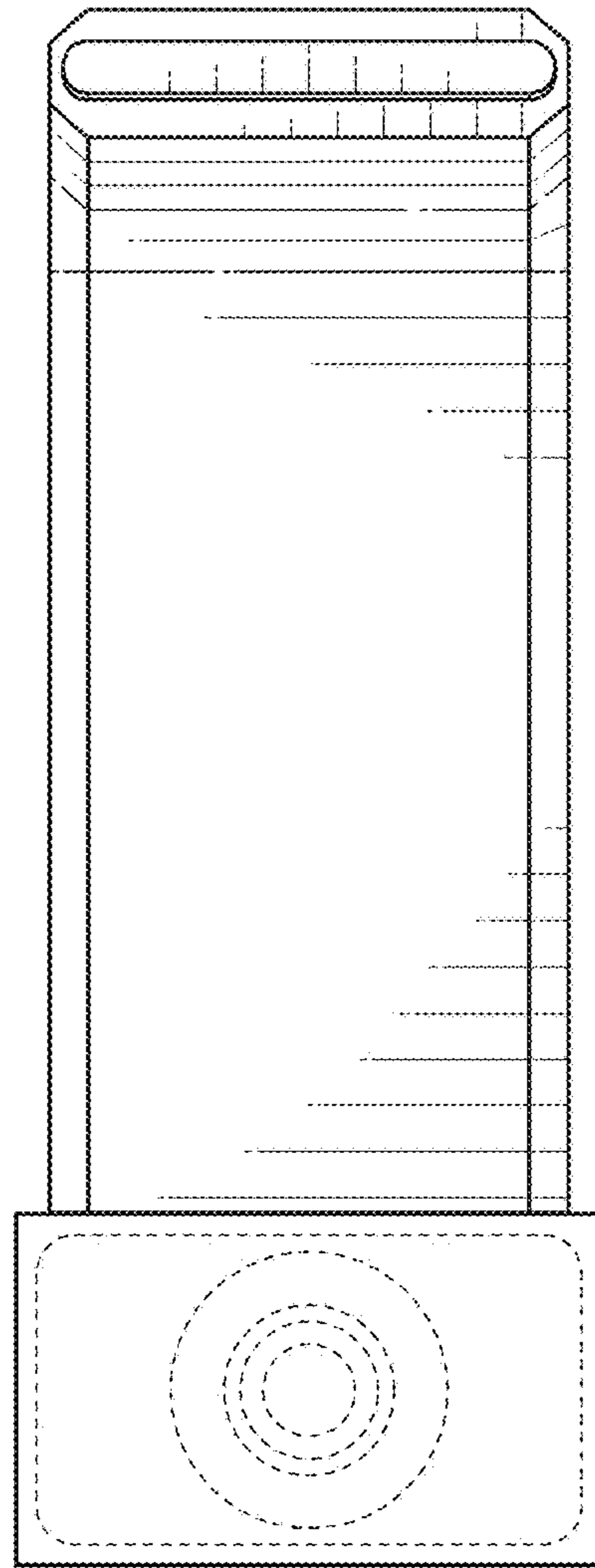


FIG. 7