



US00D831165S

(12) **United States Design Patent**
Garuti et al.

(10) **Patent No.:** **US D831,165 S**
(45) **Date of Patent:** **** Oct. 16, 2018**

- (54) **TAP**
- (71) Applicant: **CRISTINA S.r.l.**, Gozzano (IT)
- (72) Inventors: **Andrea Garuti**, Corsico (IT); **Manuela Busetti**, Corsico (IT); **Matteo Redaelli**, Inverigo (IT)
- (73) Assignee: **CRISTINA, S.R.L.**, Gozanno (IT)
- (**) Term: **15 Years**
- (21) Appl. No.: **29/602,001**
- (22) Filed: **Apr. 27, 2017**
- (30) **Foreign Application Priority Data**
Nov. 16, 2016 (EM) 003466226-0002
- (51) **LOC (11) Cl.** **23-01**
- (52) **U.S. Cl.**
USPC **D23/255**
- (58) **Field of Classification Search**
USPC D23/238-242, 249, 255, 257; D8/350, D8/353
CPC Y10T 137/9464
See application file for complete search history.

(56) **References Cited**
U.S. PATENT DOCUMENTS

- D461,230 S * 8/2002 Ko D23/255
- D488,539 S * 4/2004 McKeone D23/255

- D520,121 S * 5/2006 Hoernig D23/255
- D640,353 S * 6/2011 Gao D23/255

* cited by examiner

Primary Examiner — Robert A Delehanty
(74) *Attorney, Agent, or Firm* — Mark Malek; Widerman Malek, PL

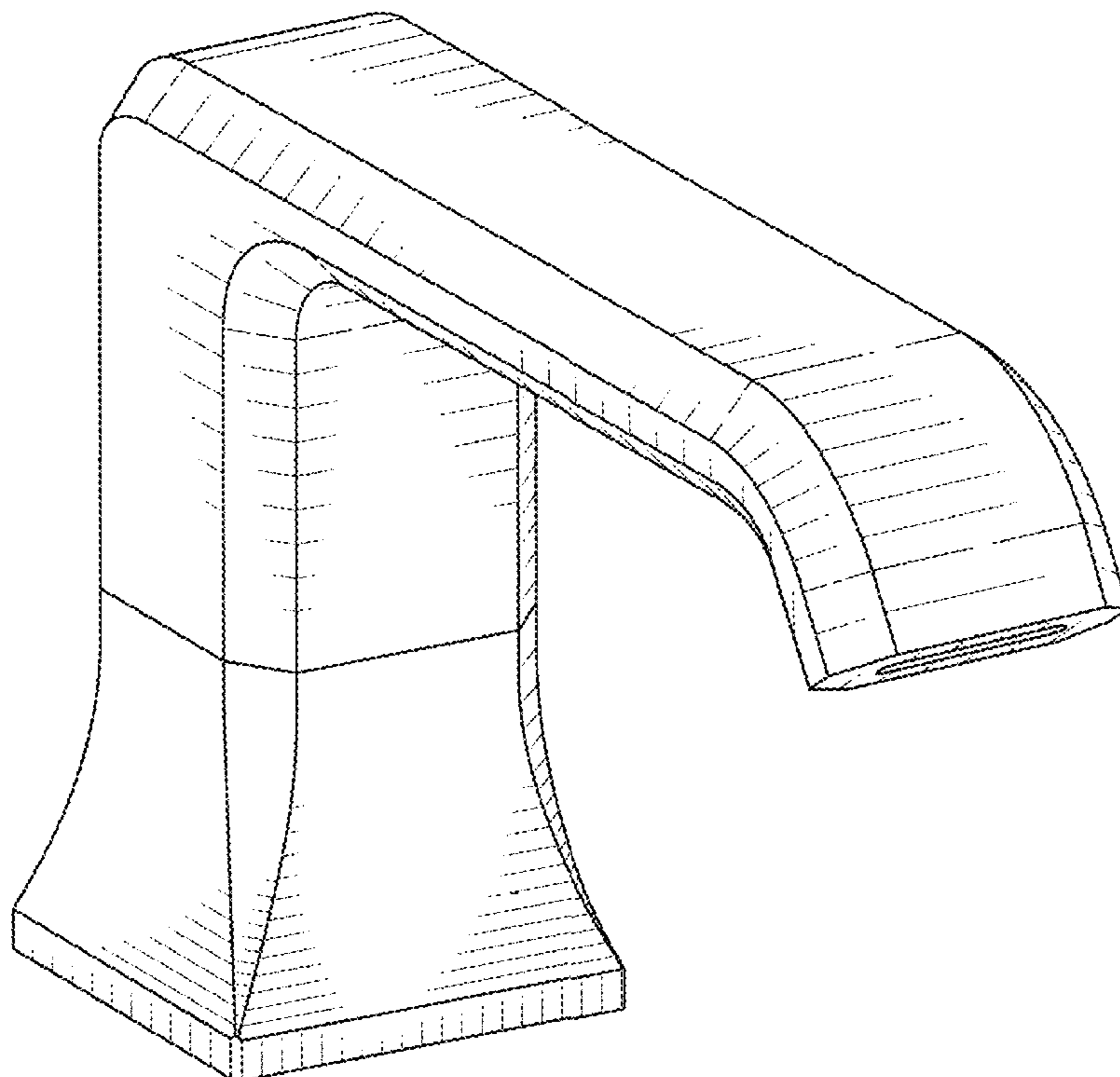
(57) **CLAIM**

The ornamental design for a tap, as shown and described.

DESCRIPTION

FIG. 1 is a perspective view of a tap according to the present invention.
 FIG. 2 is a front elevation view of the tap illustrated in FIG. 1.
 FIG. 3 is a rear elevation view of the tap illustrated in FIG. 1.
 FIG. 4 is a left side elevation view of the tap illustrated in FIG. 1.
 FIG. 5 is a right side elevation view of the tap illustrated in FIG. 1.
 FIG. 6 is a top plan view of the tap illustrated in FIG. 1; and,
 FIG. 7 is a bottom plan elevation view of the tap illustrated in FIG. 1.
 The broken lines in FIG. 7 represent unclaimed portions of the present invention.

1 Claim, 4 Drawing Sheets



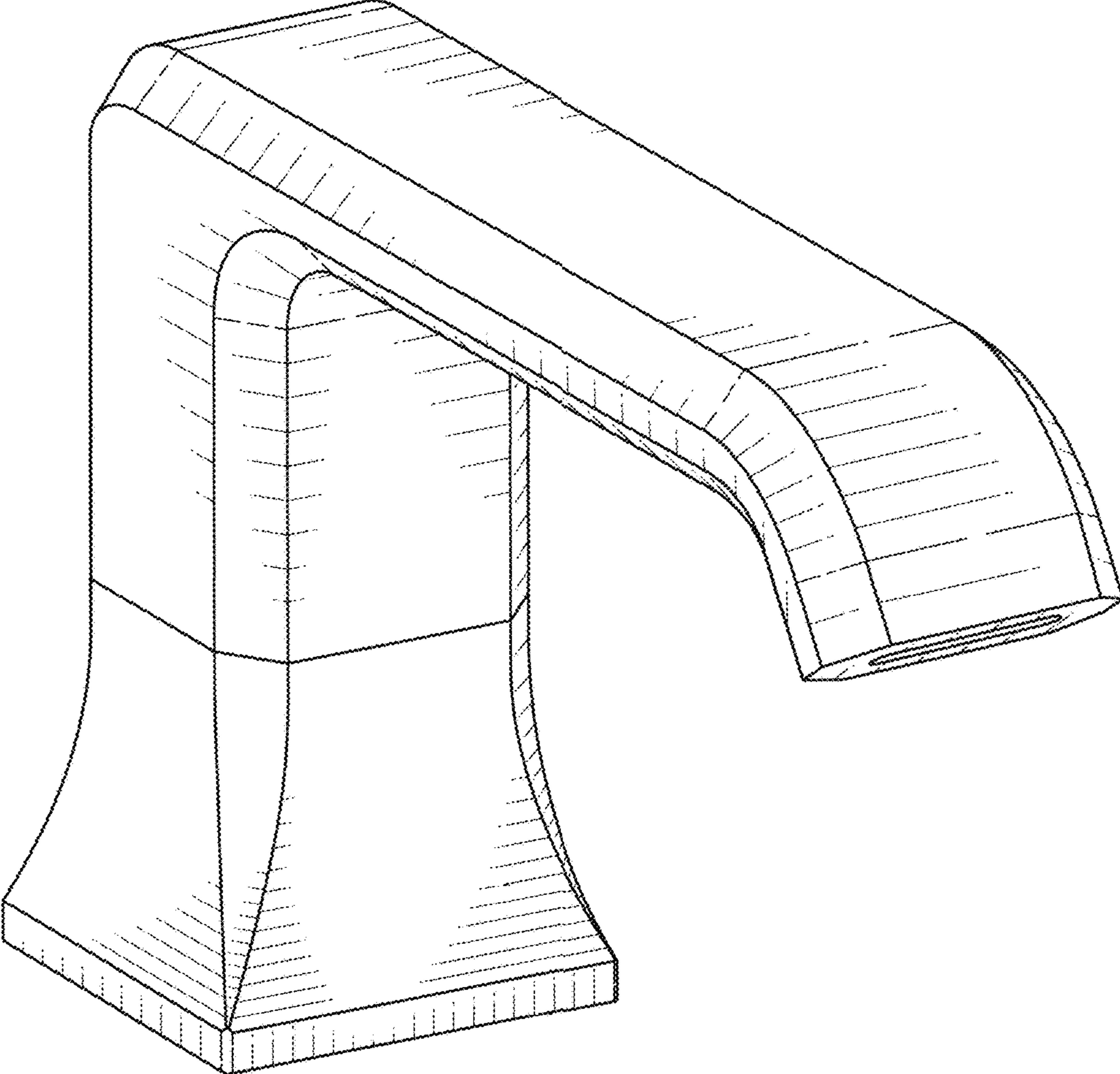


FIG. 1

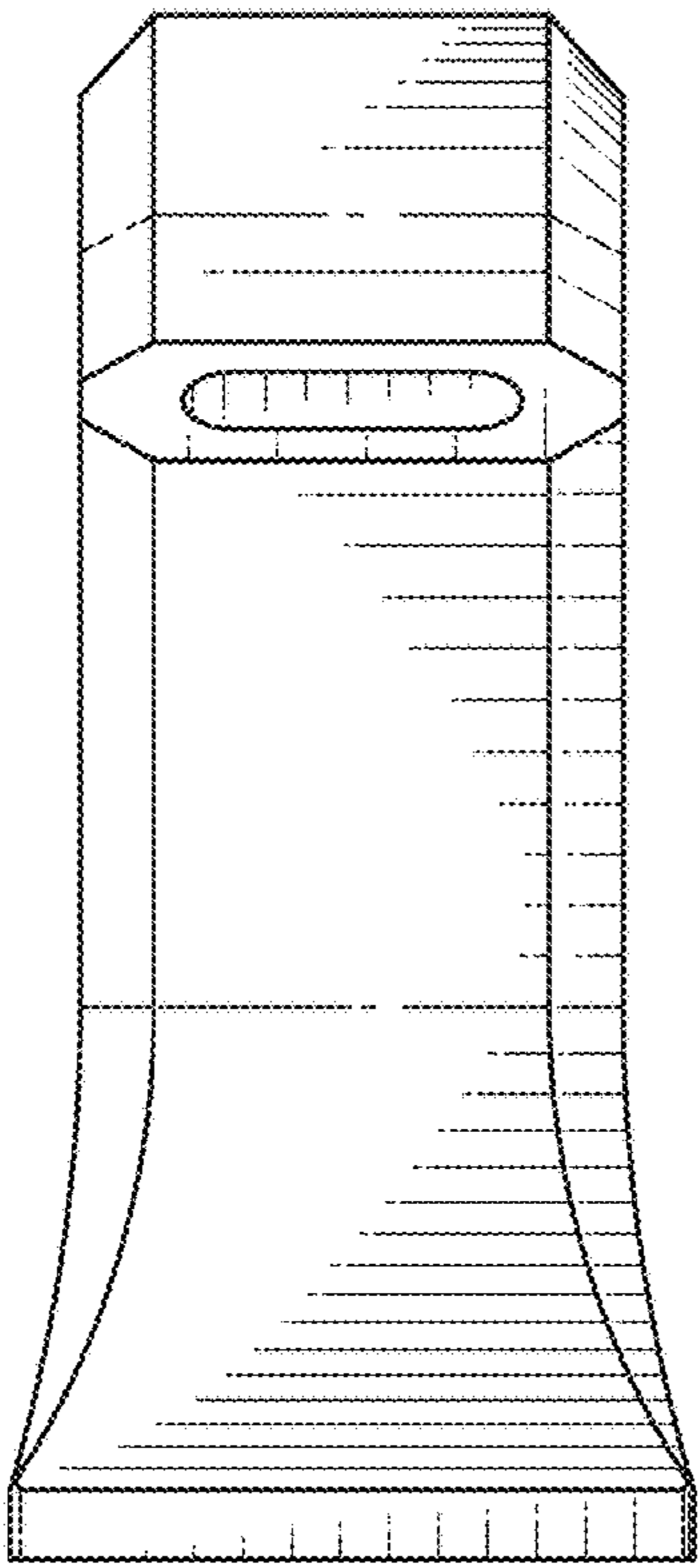


FIG. 2

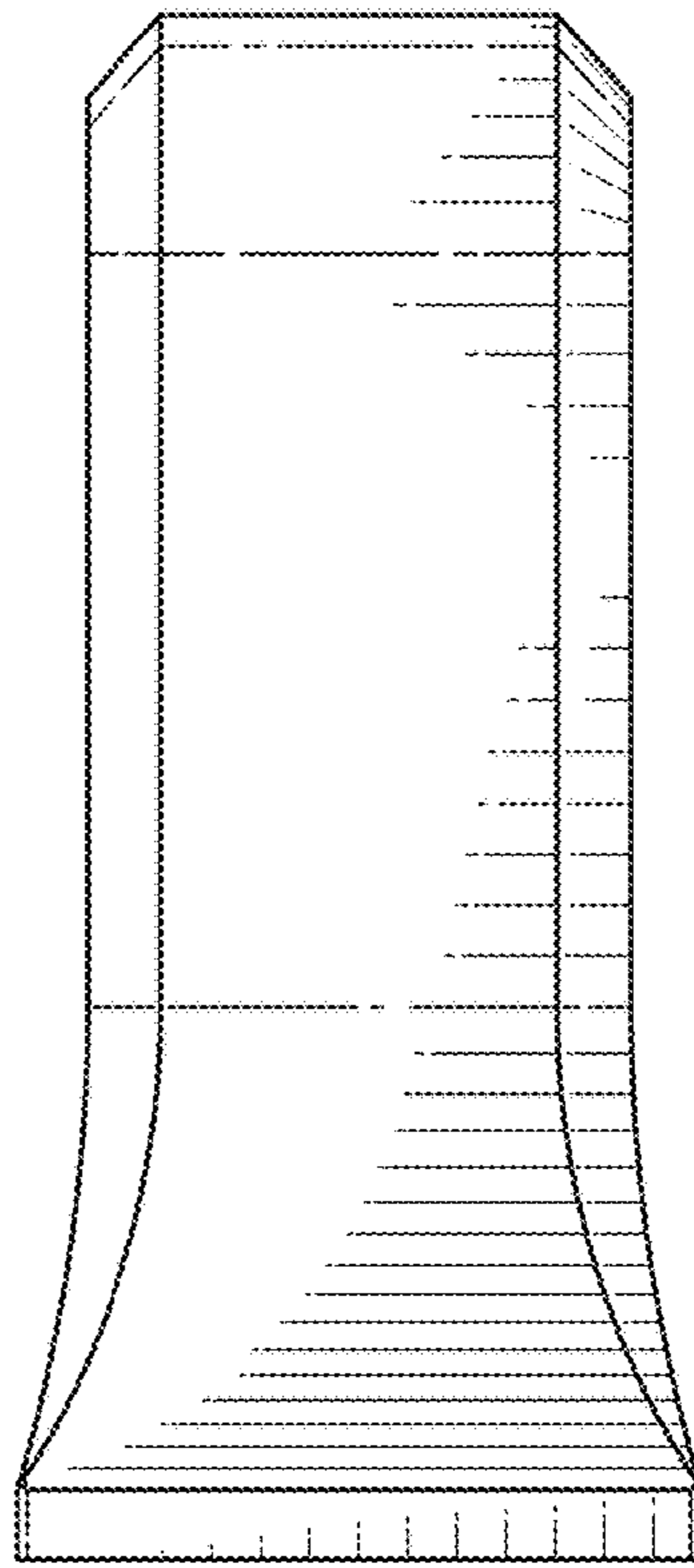


FIG. 3

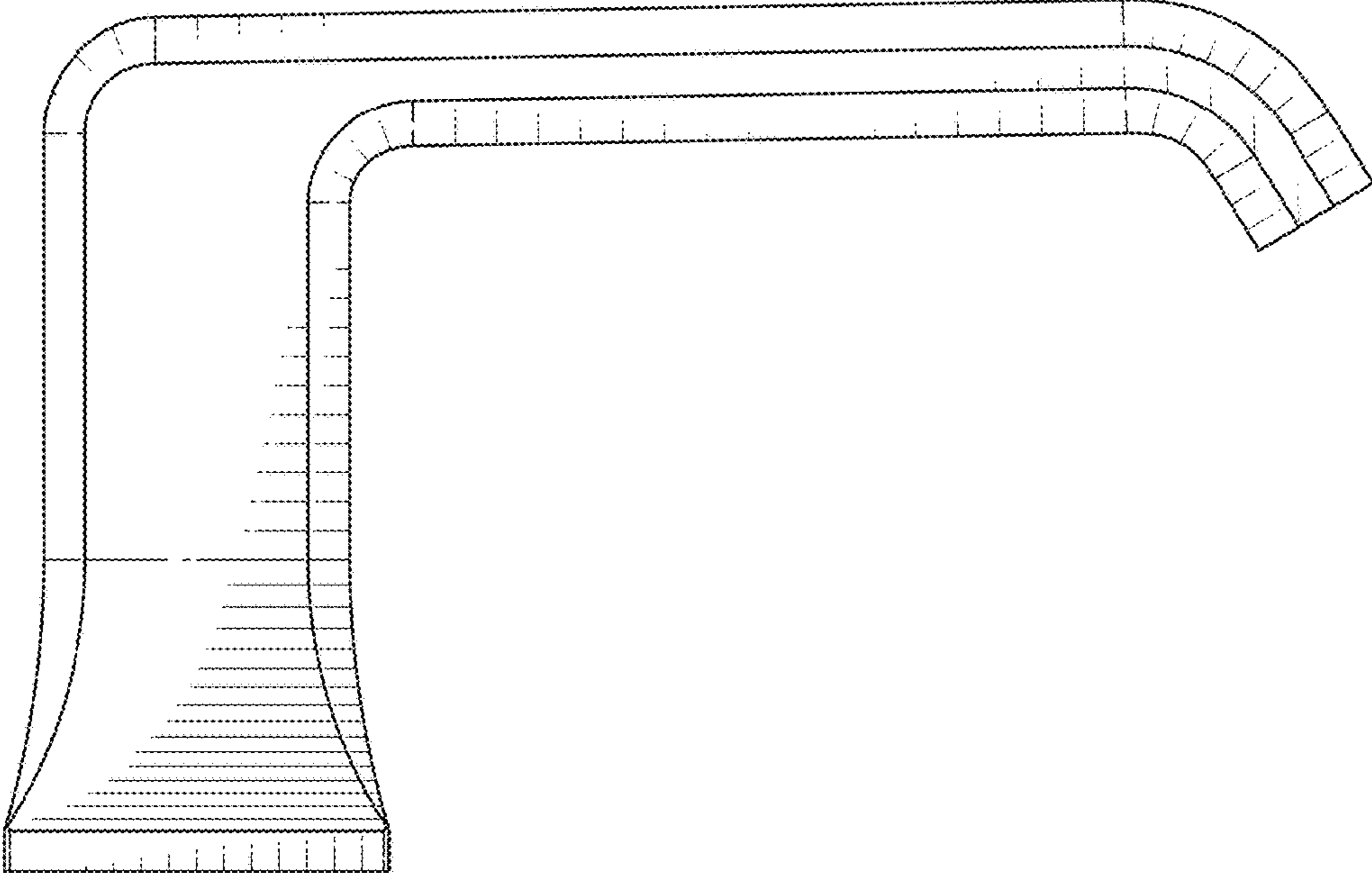


FIG. 4

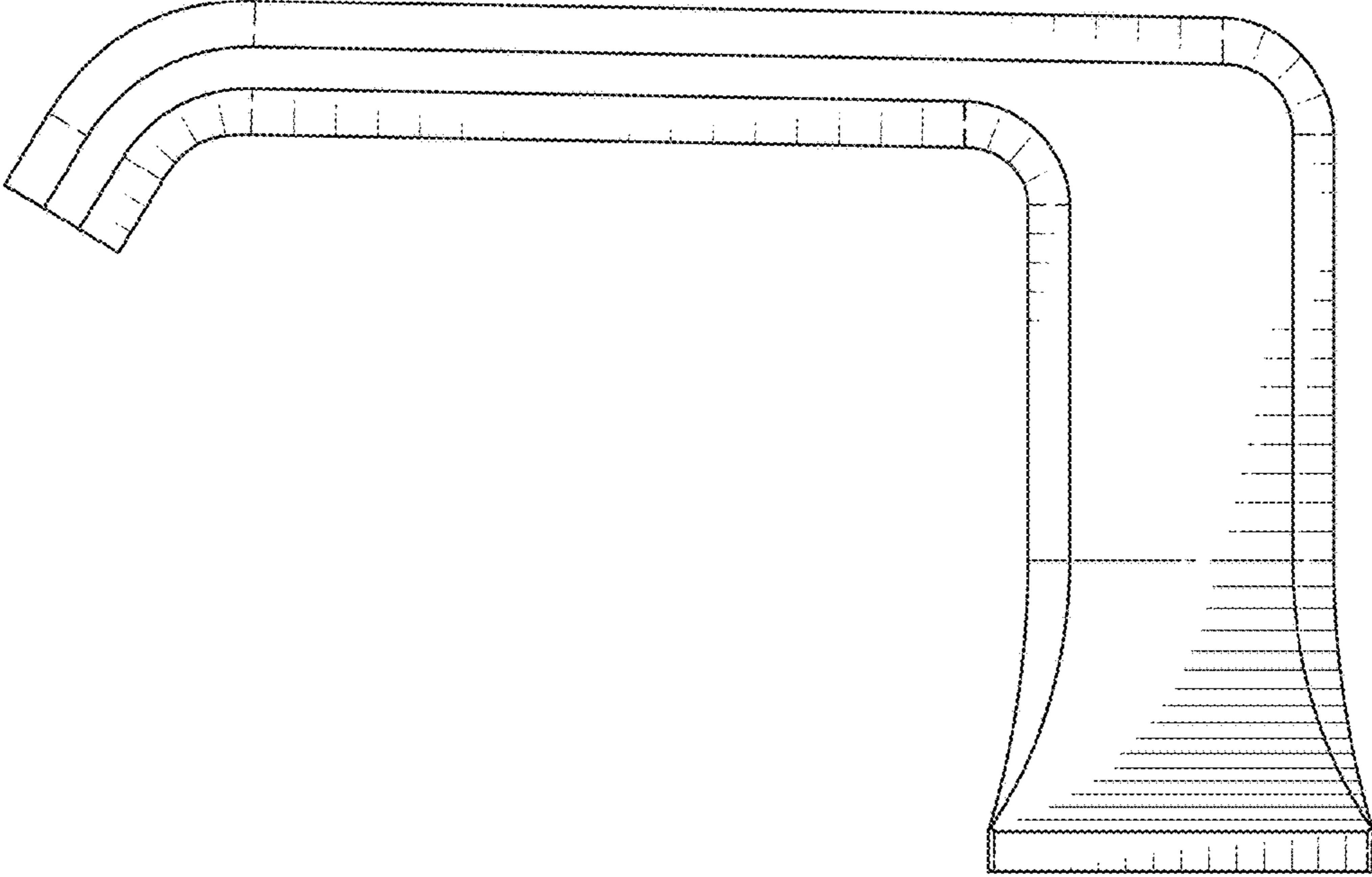


FIG. 5

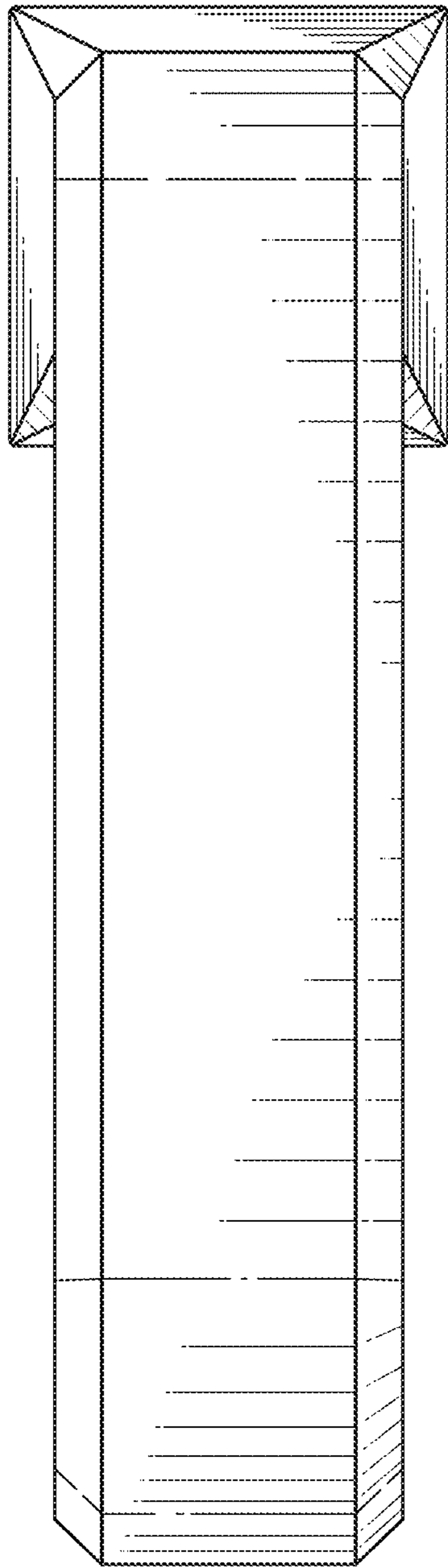


FIG. 6

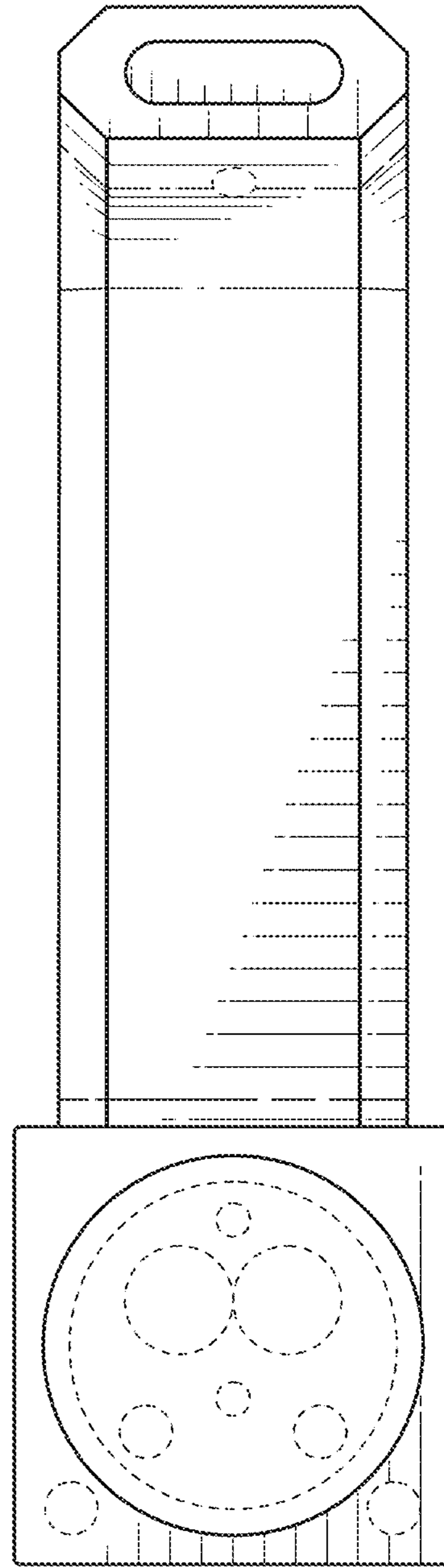


FIG. 7