



US00D831162S

(12) **United States Design Patent**
Garuti et al.

(10) **Patent No.:** **US D831,162 S**
(45) **Date of Patent:** **** Oct. 16, 2018**

- (54) **TAP**
- (71) Applicant: **CRISTINA S.r.l.**, Gozzano (IT)
- (72) Inventors: **Andrea Garuti**, Corsico (IT); **Manuela Busetti**, Corsico (IT); **Matteo Redaelli**, Inverigo (IT)
- (73) Assignee: **CRISTINA, S.R.L.**, Gozzano (IT)
- (**) Term: **15 Years**
- (21) Appl. No.: **29/602,142**
- (22) Filed: **Apr. 28, 2017**
- (30) **Foreign Application Priority Data**
Oct. 31, 2016 (EM) 003441559-0006
- (51) **LOC (11) Cl.** **23-01**
- (52) **U.S. Cl.**
USPC **D23/254**
- (58) **Field of Classification Search**
USPC D23/250, 254, 249; D8/300, 308,
D8/352-353, 312; D6/550
CPC Y10T 137/9464
See application file for complete search history.

- D663,805 S * 7/2012 Downey D23/252
- D677,758 S * 3/2013 Mendoza D23/252
- D707,056 S * 6/2014 Gilbert D6/550
- D799,645 S * 10/2017 Eads D23/254

* cited by examiner

Primary Examiner — Robert A Delehanty
(74) *Attorney, Agent, or Firm* — Mark Malek; Widerman Malek, PL

(57) **CLAIM**

The ornamental design for a tap, as shown and described.

DESCRIPTION

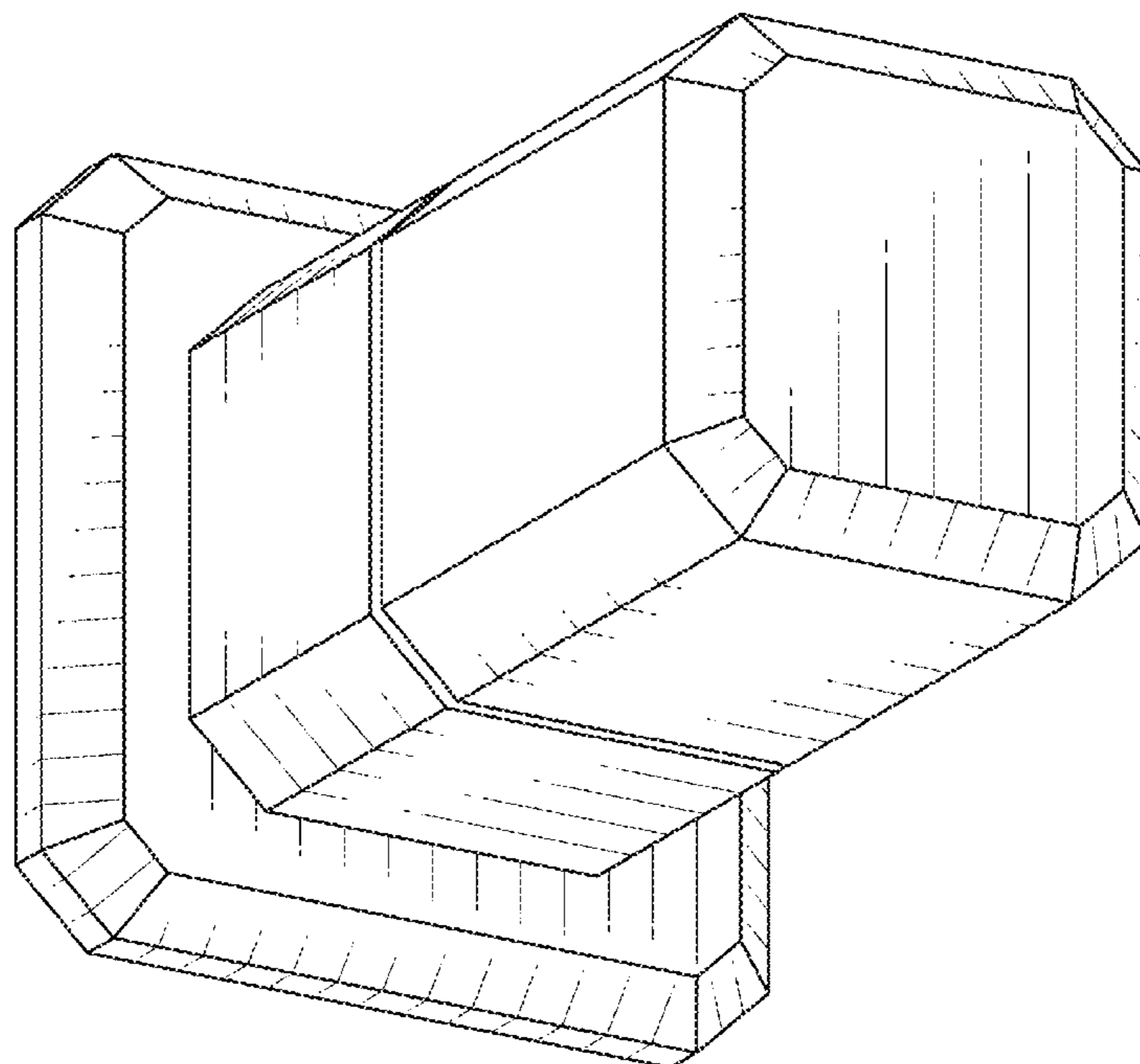
FIG. 1 is a perspective view of a tap according to the present invention.
 FIG. 2 is a front elevation view of the tap illustrated in FIG. 1.
 FIG. 3 is a rear elevation view of the tap illustrated in FIG. 1.
 FIG. 4 is a left side elevation view of the tap illustrated in FIG. 1.
 FIG. 5 is a right side elevation view of the tap illustrated in FIG. 1.
 FIG. 6 is a top plan view of the tap illustrated in FIG. 1; and,
 FIG. 7 is a bottom plan elevation view of the tap illustrated in FIG. 1.
 The broken lines in FIGS. 3 and 6 represent unclaimed portions of the present invention.

(56) **References Cited**

U.S. PATENT DOCUMENTS

- D621,478 S * 8/2010 Kulig D23/242
- D627,858 S * 11/2010 Hanna D23/250

1 Claim, 4 Drawing Sheets



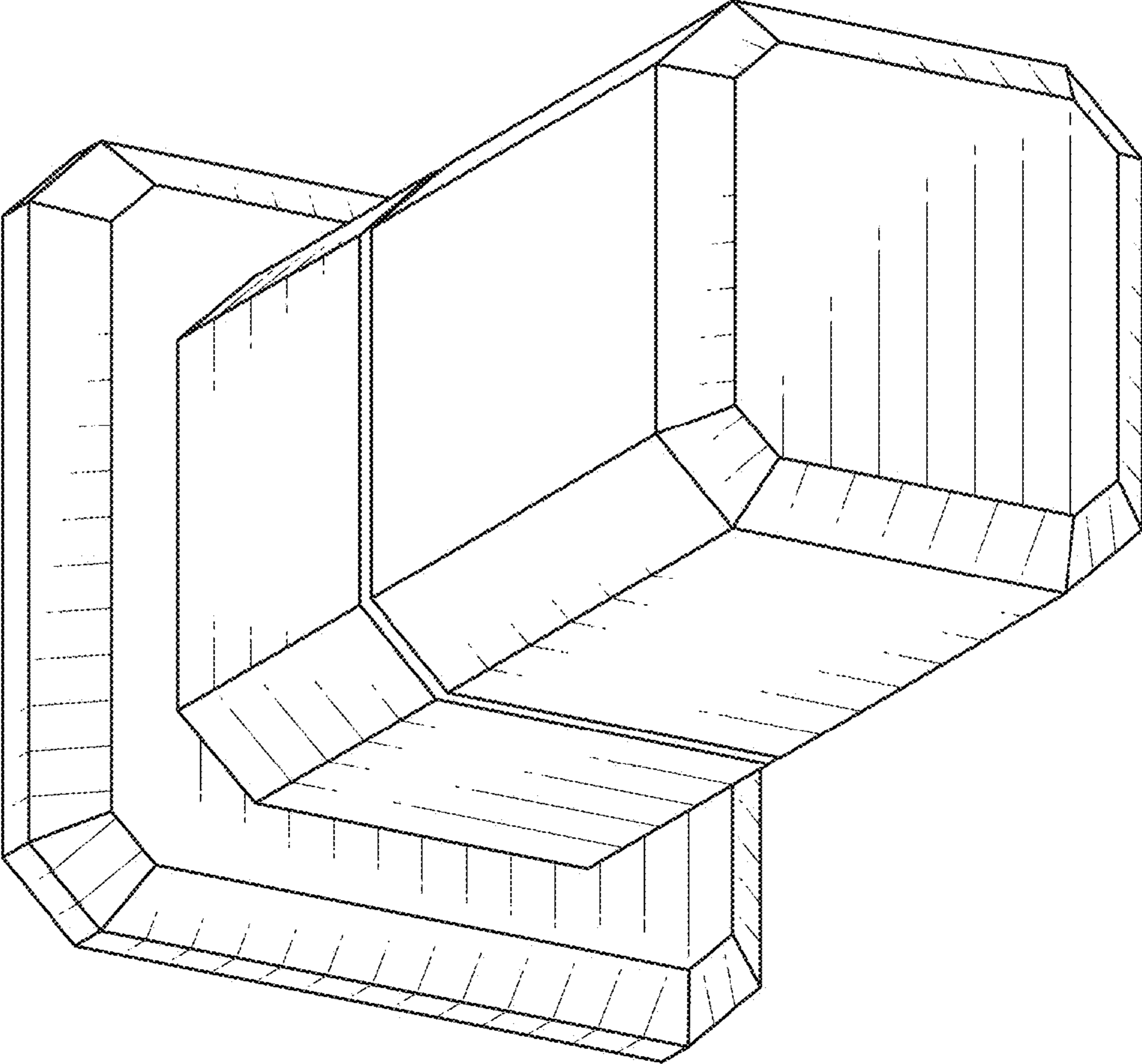


FIG. 1

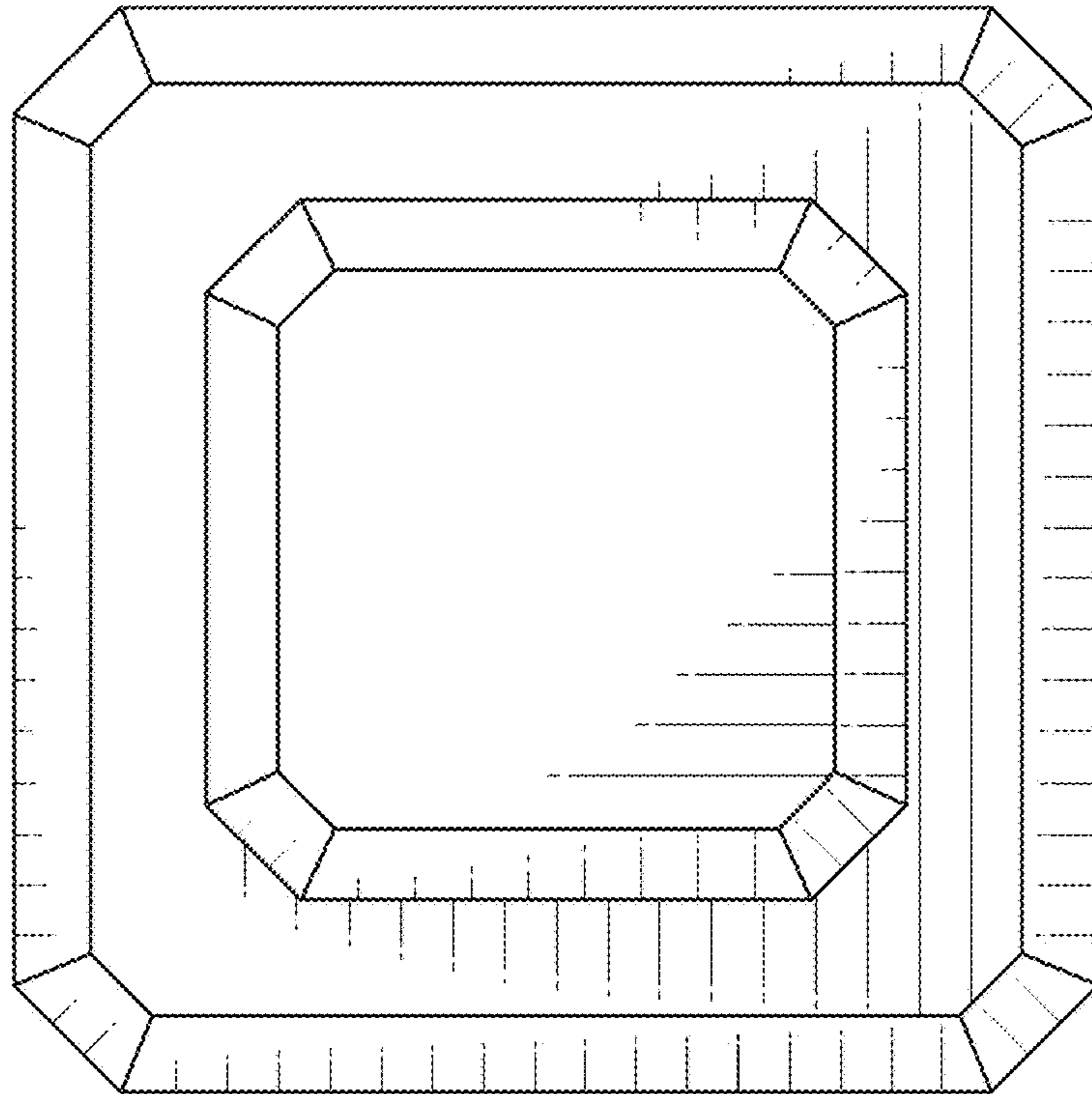


FIG. 2

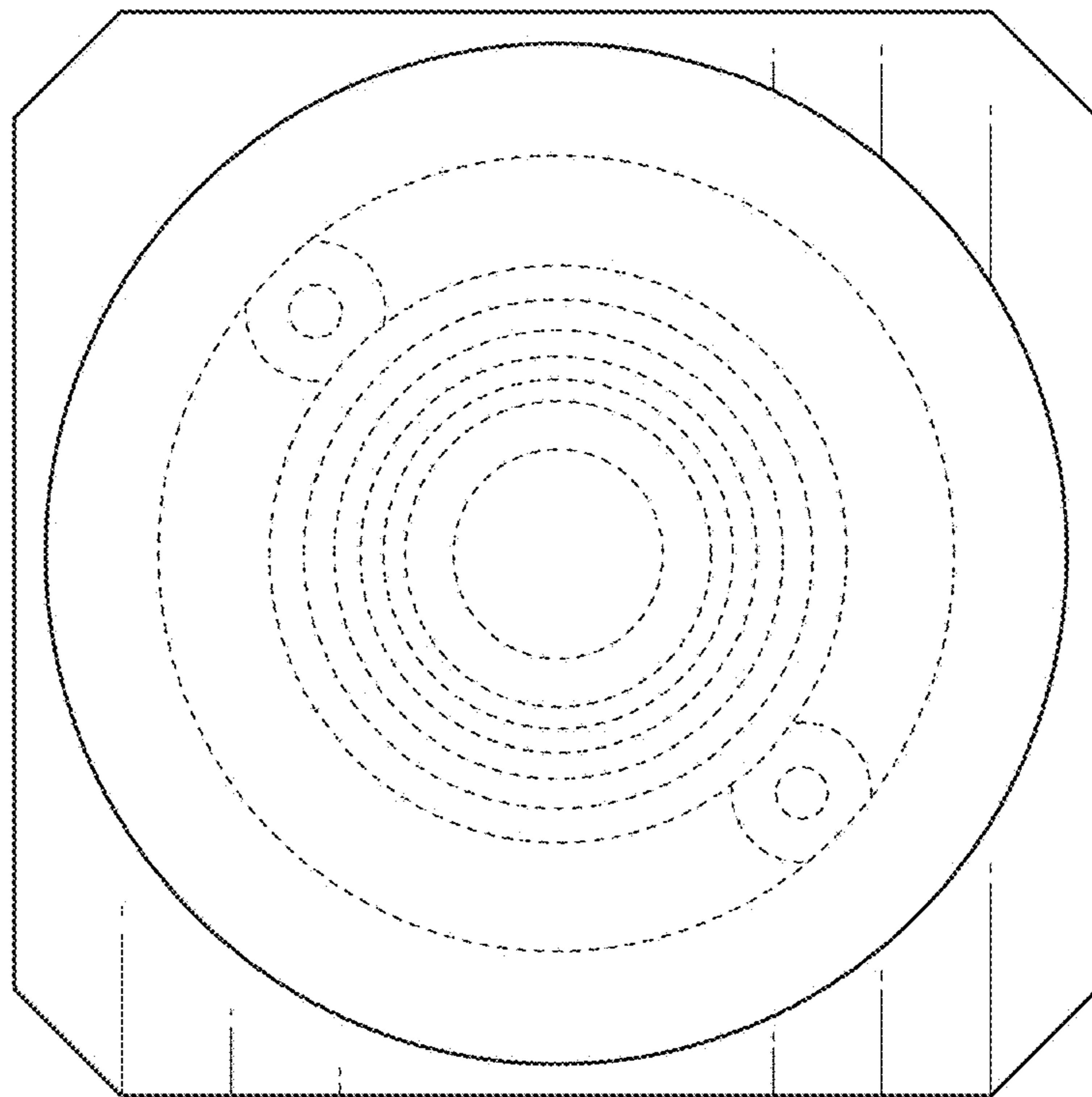


FIG. 3

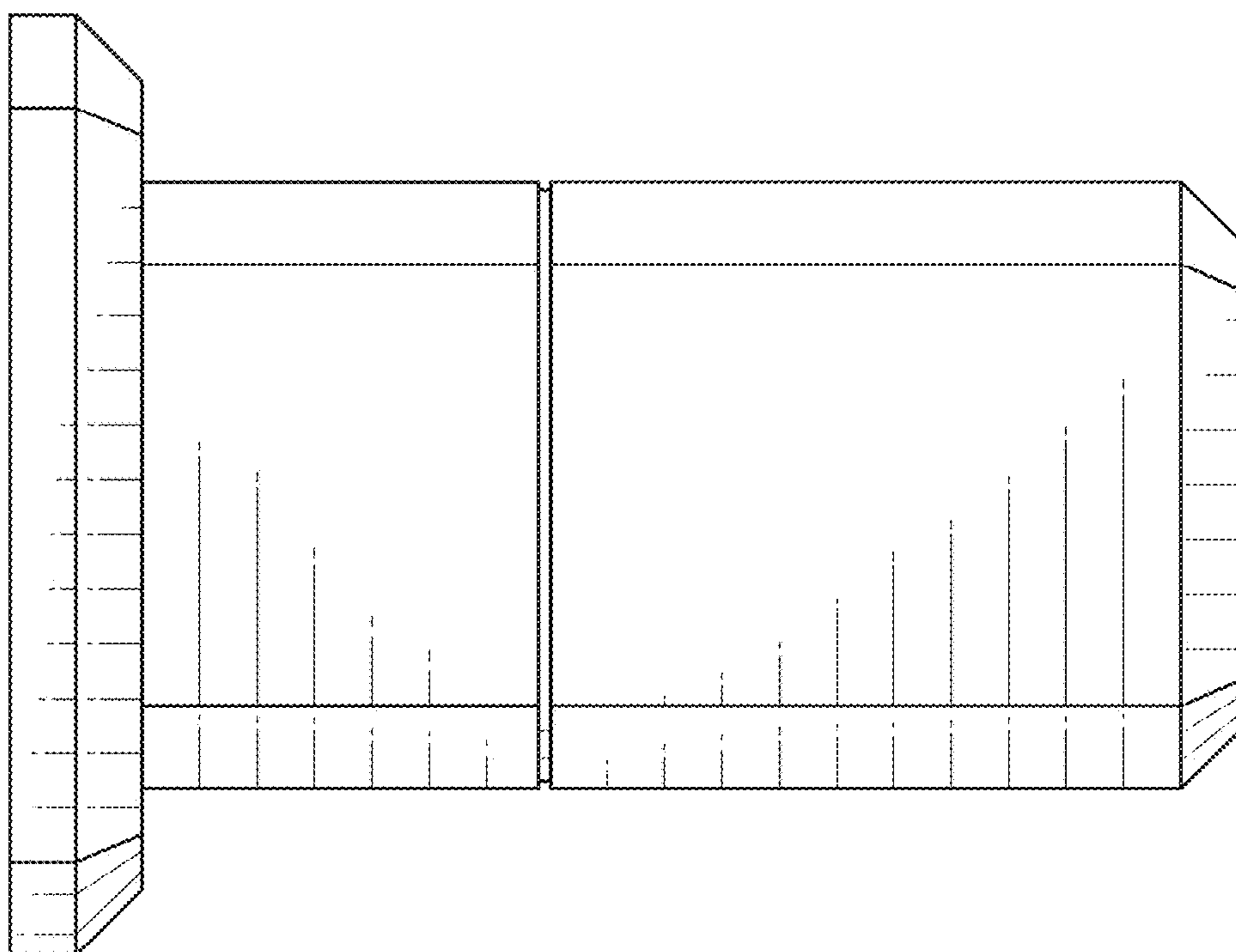


FIG. 4

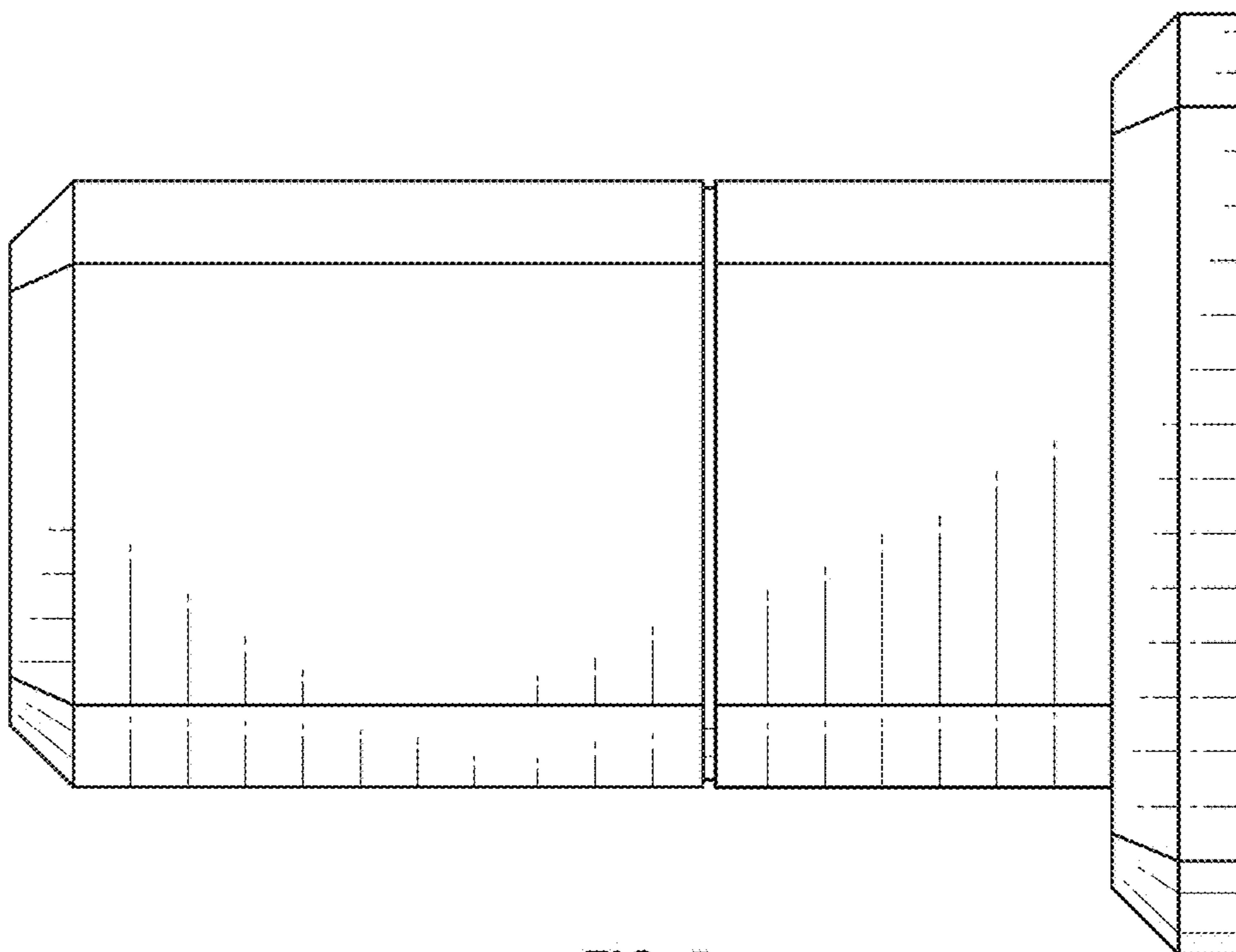


FIG. 5

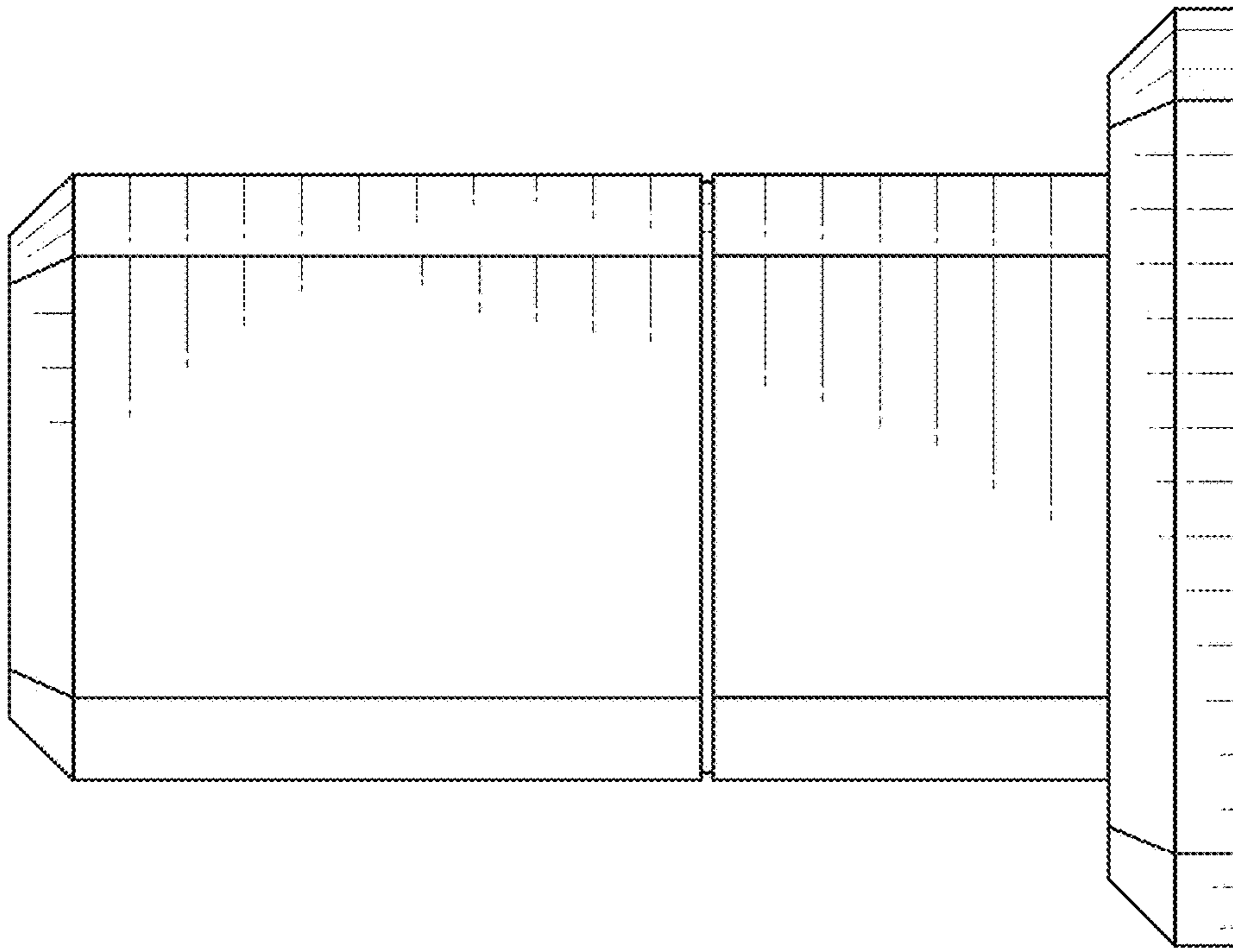


FIG. 7

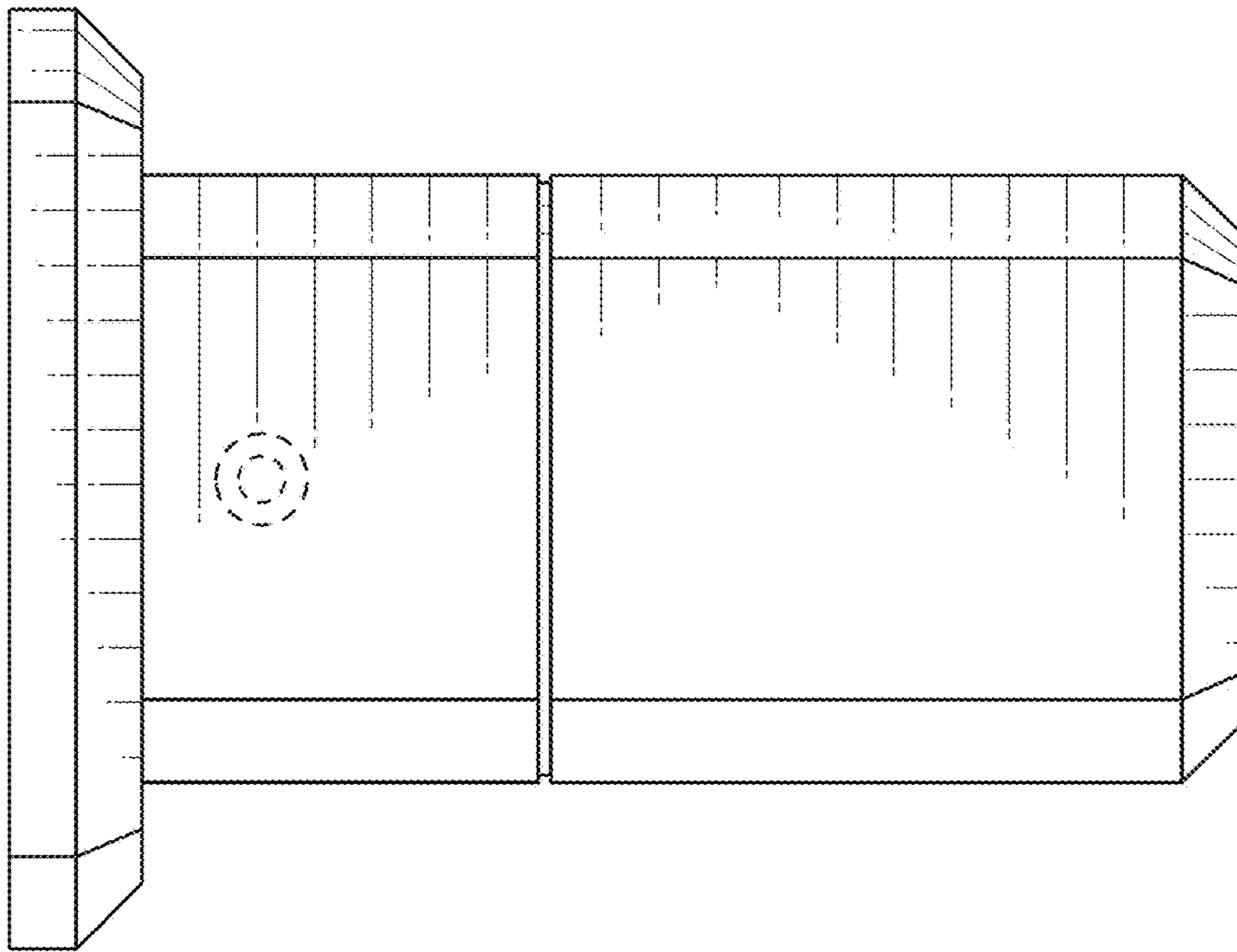


FIG. 6