



US00D831160S

(12) **United States Design Patent**  
**Garuti et al.**

(10) **Patent No.:** **US D831,160 S**

(45) **Date of Patent:** **\*\* Oct. 16, 2018**

(54) **TAP**

(71) Applicant: **CRISTINA S.r.l.**, Gozzano (IT)

(72) Inventors: **Andrea Garuti**, Corsico (IT); **Manuela Buseti**, Corsico (IT); **Matteo Redaelli**, Inverigo (IT)

(73) Assignee: **CRISTINA, S.R.L.**, Gozanno (IT)

(\*\*) Term: **15 Years**

(21) Appl. No.: **29/601,941**

(22) Filed: **Apr. 27, 2017**

(30) **Foreign Application Priority Data**

Oct. 31, 2016 (EM) ..... 003441559-0003

(51) **LOC (11) Cl.** ..... **23-01**

(52) **U.S. Cl.**  
USPC ..... **D23/254**

(58) **Field of Classification Search**  
USPC ..... D23/250, 254, 249; D8/300, 308,  
D8/352-353, 312

CPC ..... Y10T 137/9464  
See application file for complete search history.

(56) **References Cited**

**U.S. PATENT DOCUMENTS**

D595,812 S \* 7/2009 Williams ..... D23/254  
D620,562 S \* 7/2010 Hanna ..... D23/254

D620,563 S \* 7/2010 Hanna ..... D23/254  
D663,805 S \* 7/2012 Downey ..... D23/252  
D665,886 S \* 8/2012 Flowers ..... D23/254  
D677,758 S \* 3/2013 Mendoza ..... D23/252  
D789,493 S \* 6/2017 Dube ..... D23/254

\* cited by examiner

*Primary Examiner* — Robert A Delehanty

(74) *Attorney, Agent, or Firm* — Mark Malek; Widerman Malek, PL

(57) **CLAIM**

The ornamental design for a tap, as shown and described.

**DESCRIPTION**

FIG. 1 is a perspective view of a tap according to the present invention.

FIG. 2 is a front elevation view of the tap illustrated in FIG. 1.

FIG. 3 is a rear elevation view of the tap illustrated in FIG. 1.

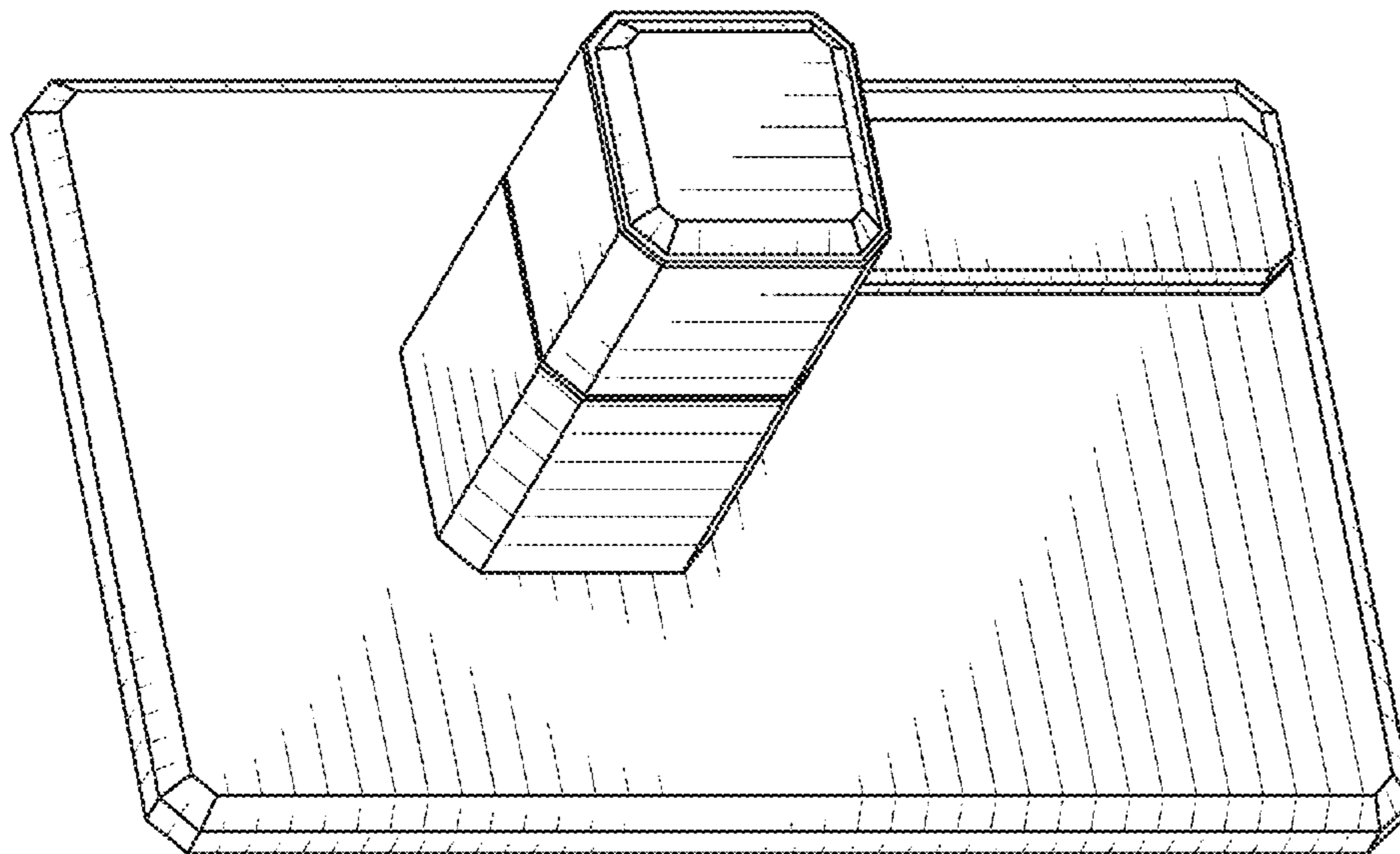
FIG. 4 is a left side elevation view of the tap illustrated in FIG. 1.

FIG. 5 is a right side elevation view of the tap illustrated in FIG. 1.

FIG. 6 is a top plan view of the tap illustrated in FIG. 1; and, FIG. 7 is a bottom plan elevation view of the tap illustrated in FIG. 1.

The broken lines in FIGS. 2, 3, 4, 5, and 7 represent unclaimed portions of the present invention.

**1 Claim, 4 Drawing Sheets**



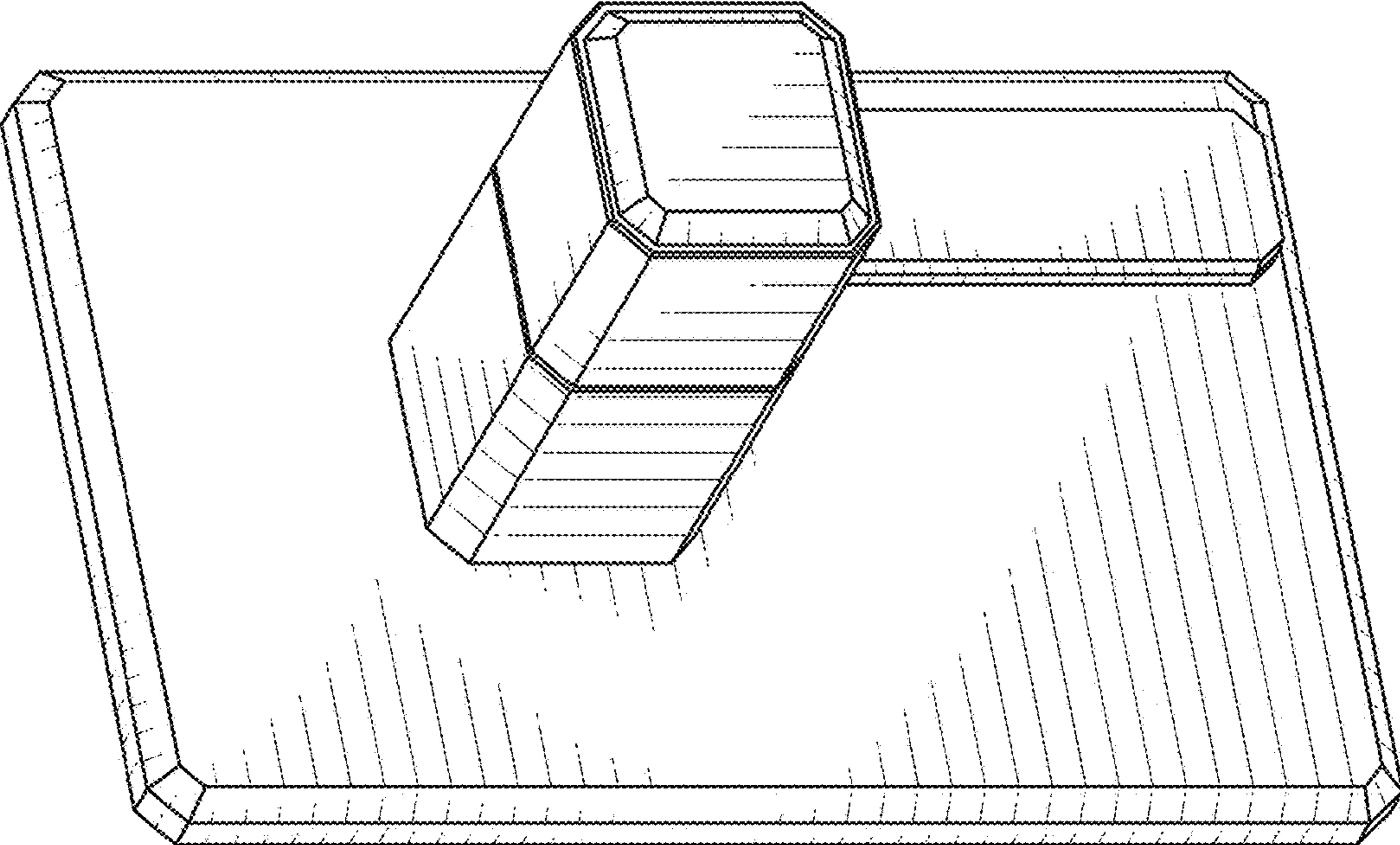


FIG. 1

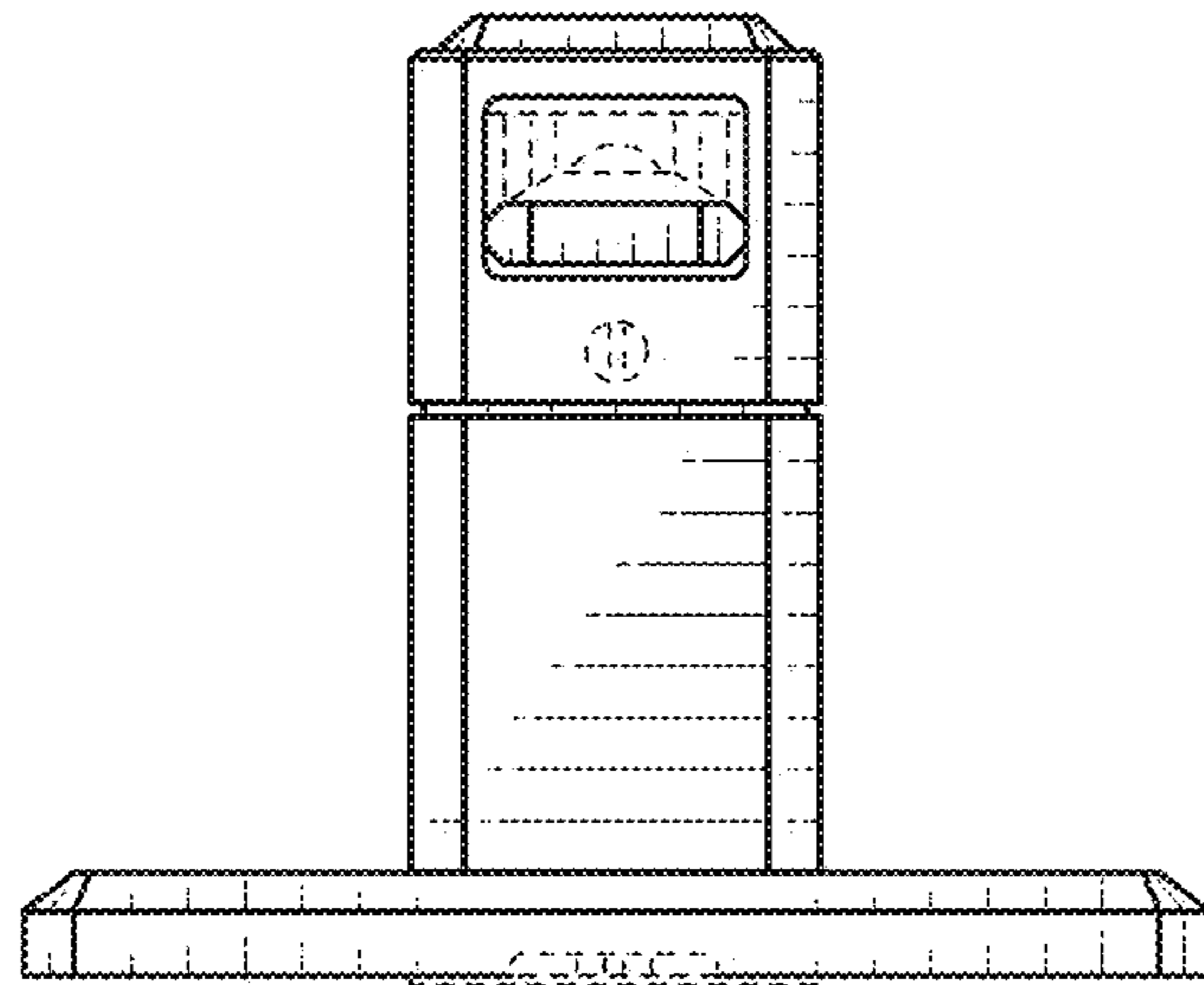


FIG. 2

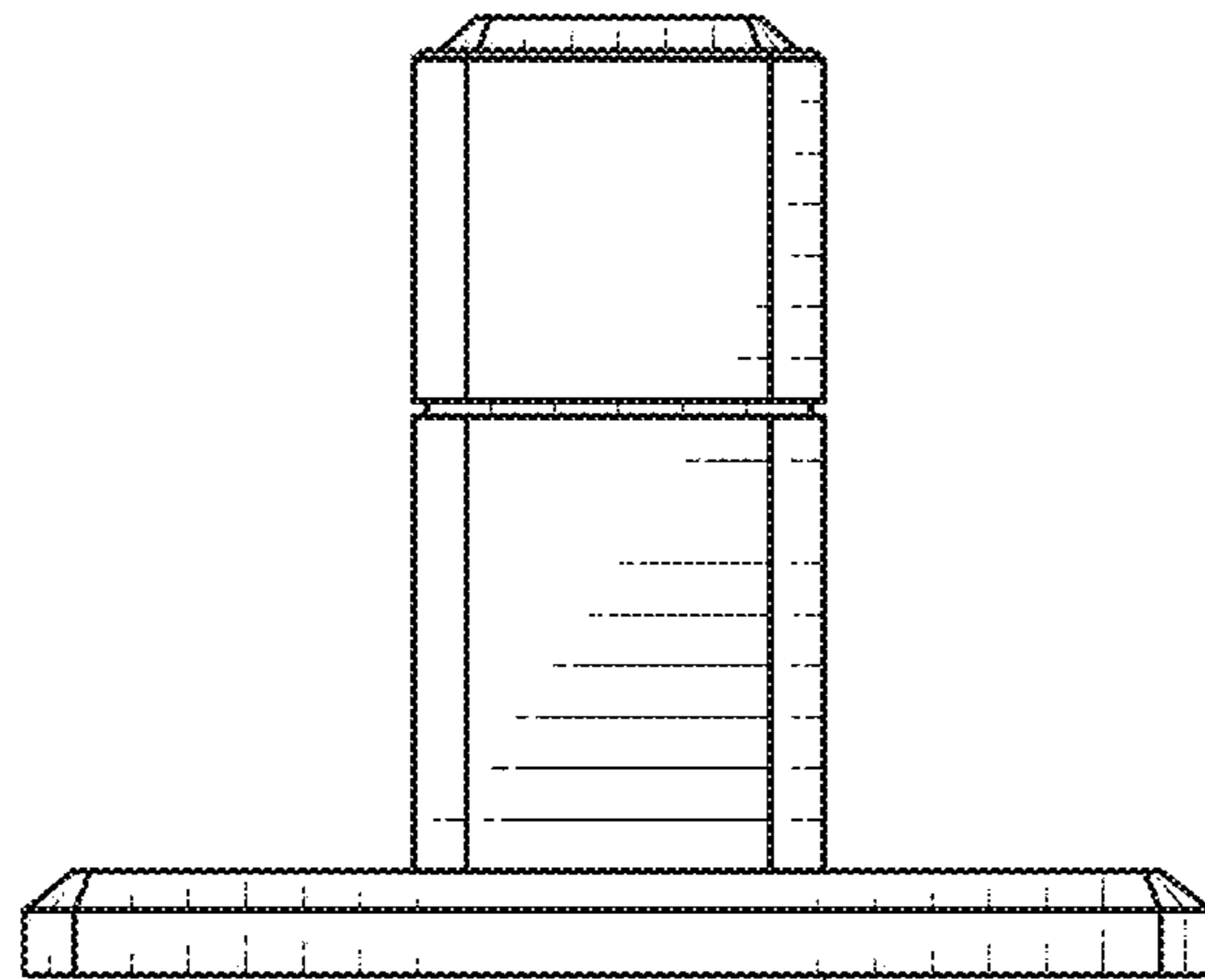


FIG. 3

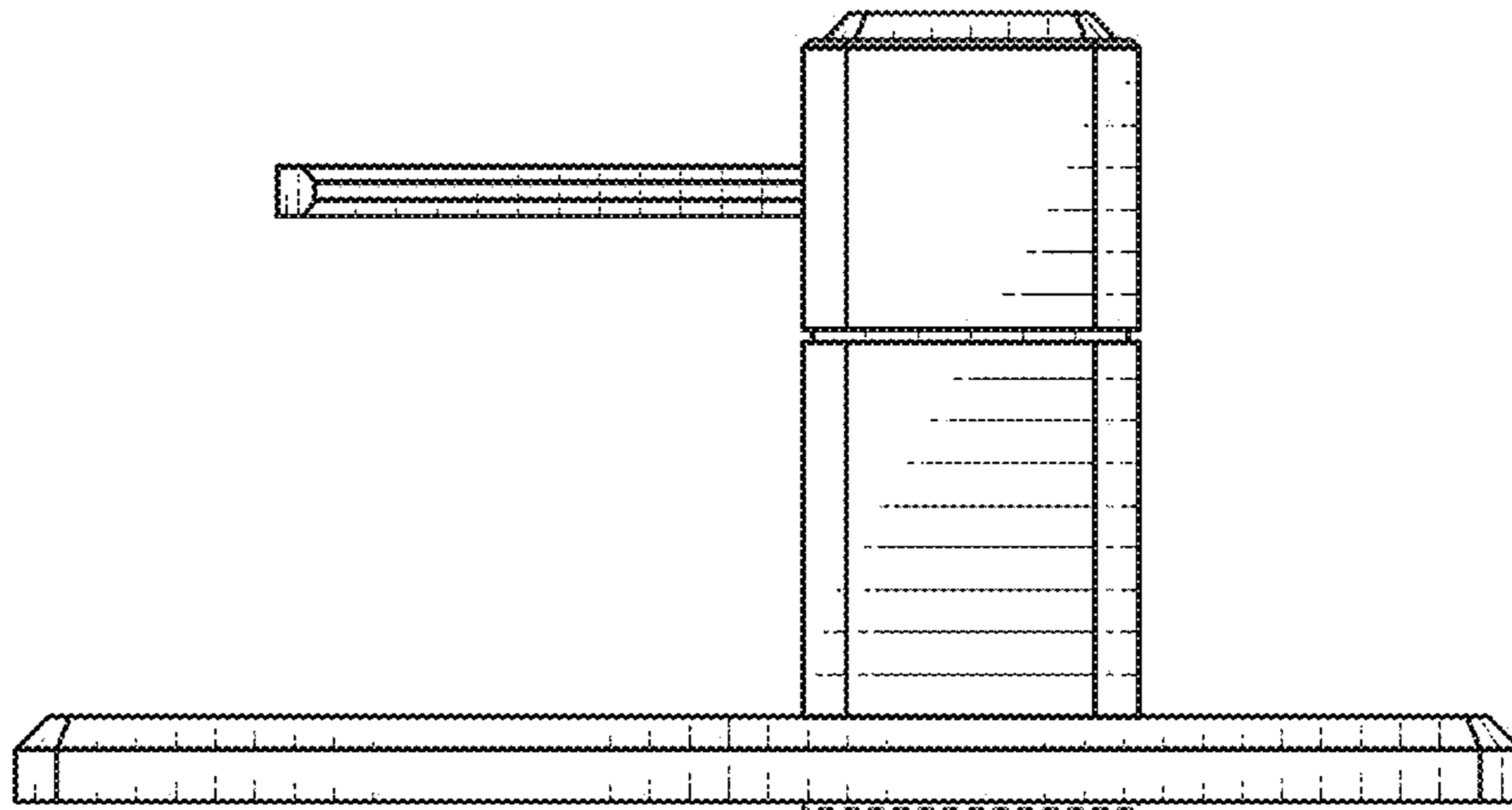


FIG. 4

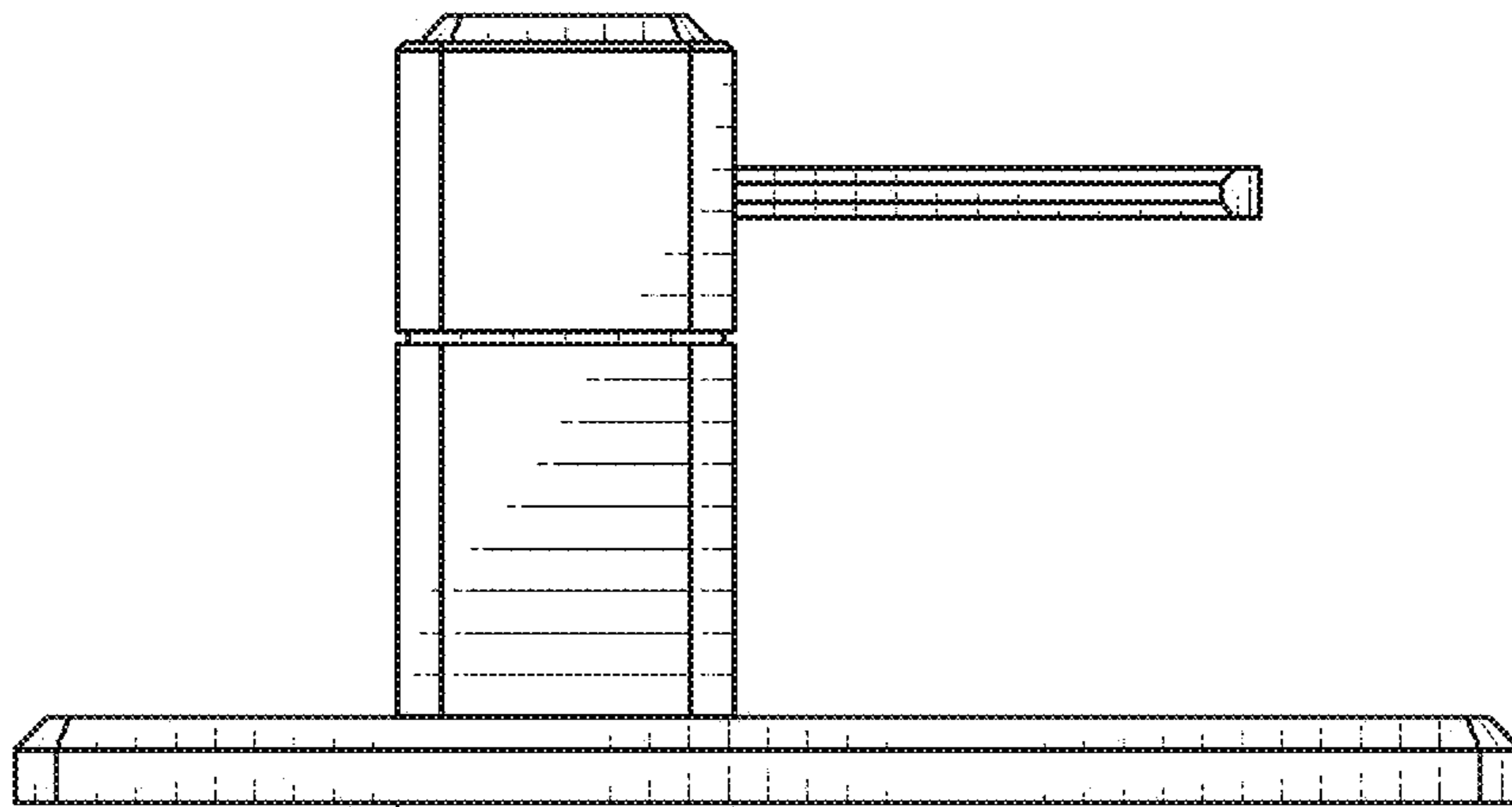


FIG. 5

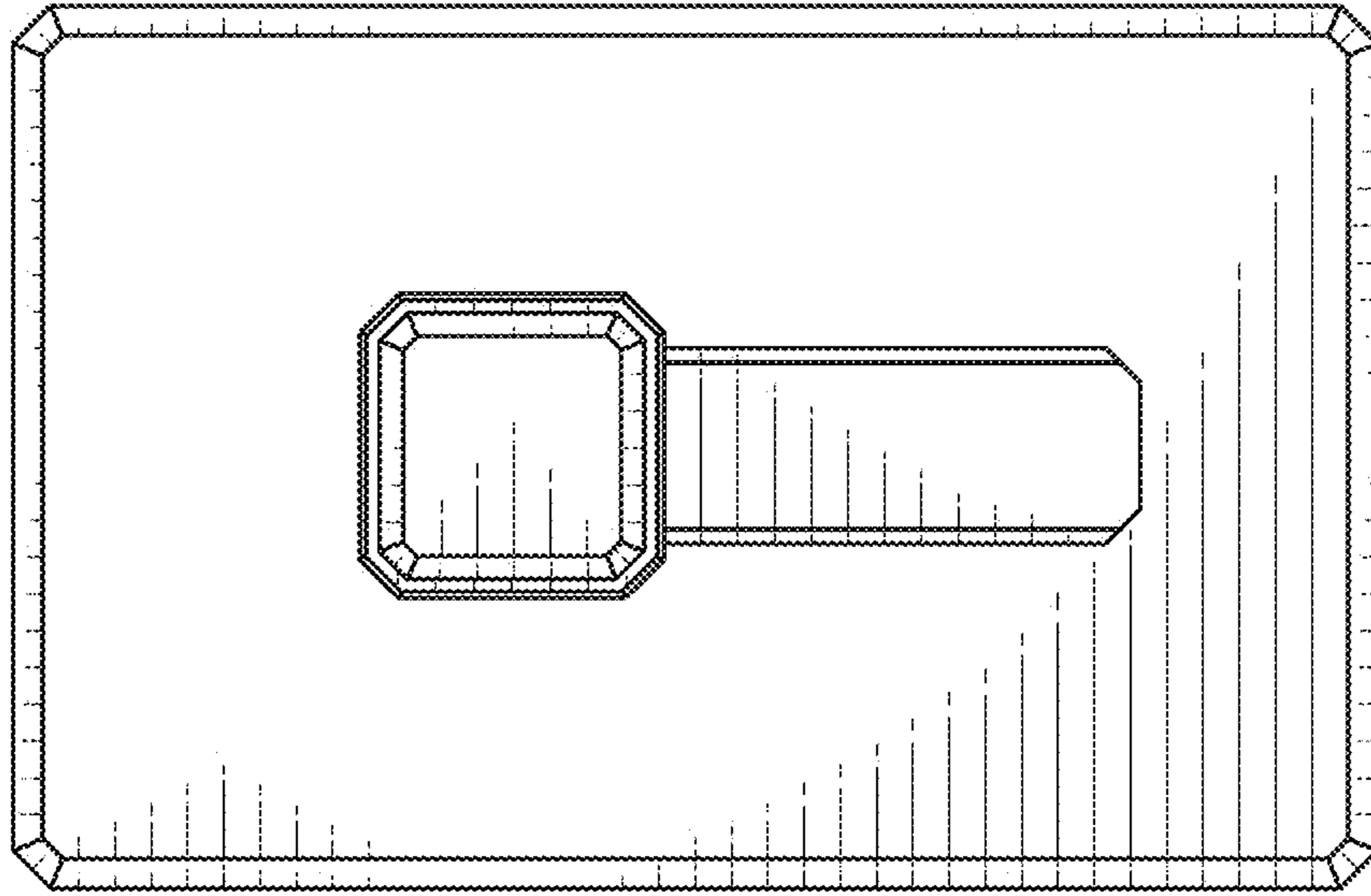


FIG. 6

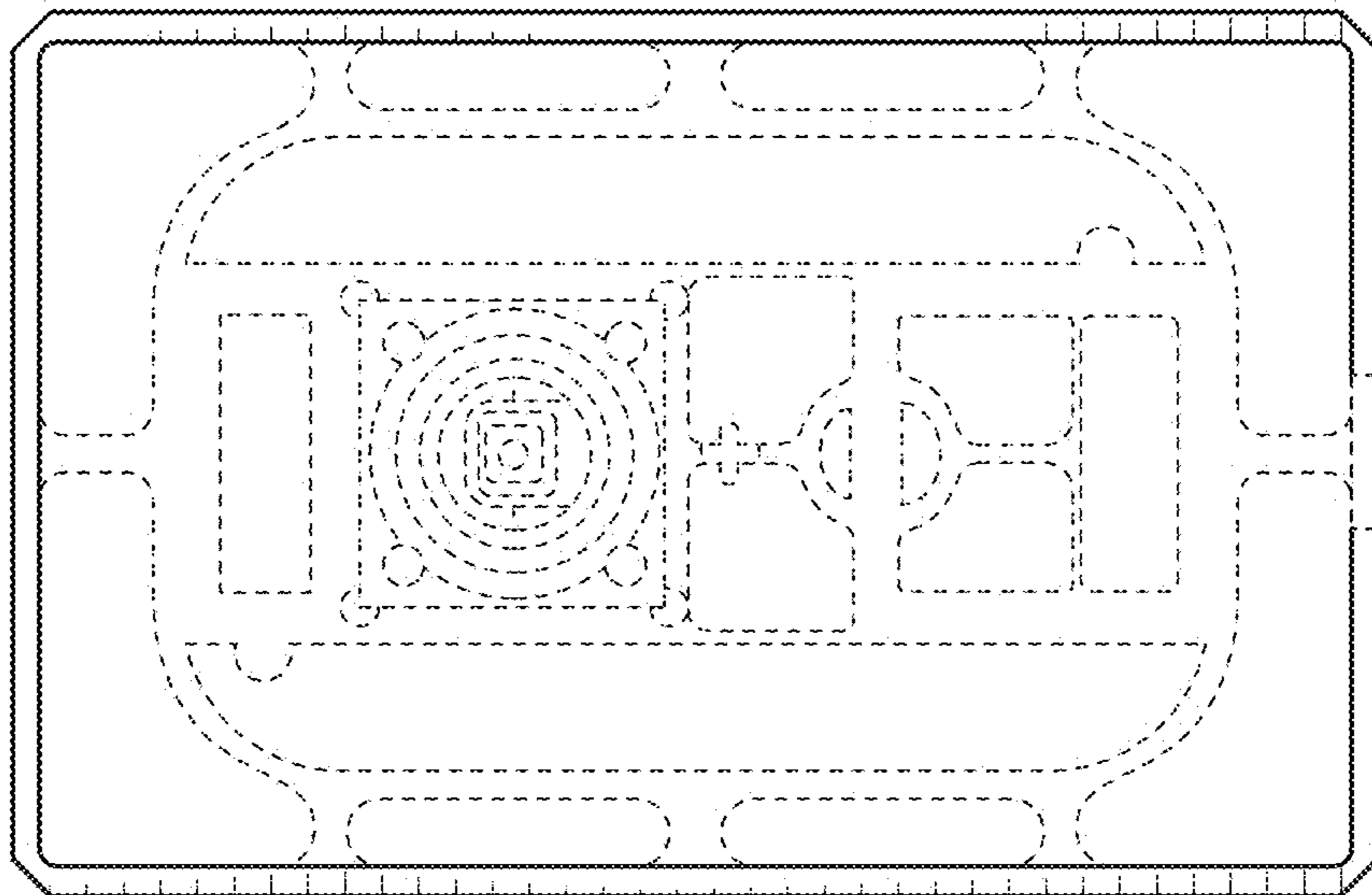


FIG. 7