



US00D831158S

(12) **United States Design Patent** (10) **Patent No.:** **US D831,158 S**  
**Weh et al.** (45) **Date of Patent:** **\*\* Oct. 16, 2018**

(54) **PIPE COUPLING**

(56) **References Cited**

(71) Applicants: **Wolfgang Weh**, Illertissen (DE); **Erwin Weh**, Illertissen (DE)

U.S. PATENT DOCUMENTS

(72) Inventors: **Wolfgang Weh**, Illertissen (DE); **Erwin Weh**, Illertissen (DE)

D219,214 S \* 11/1970 Eklund ..... D23/226  
D223,915 S \* 6/1972 Brown et al. .... D23/226  
D293,462 S \* 12/1987 Bower ..... D23/226  
D321,036 S \* 10/1991 Jacobs ..... D23/226  
7,255,142 B2 \* 8/2007 Carder, Sr. .... B67D 7/3236

(\*\*) Term: **15 Years**

141/392

(21) Appl. No.: **35/502,829**

D648,417 S \* 11/2011 Varini ..... D23/226

(22) Filed: **Mar. 16, 2017**

D684,664 S \* 6/2013 Gevers ..... D23/226

(80) **Hague Agreement Data**

2009/0167019 A1 \* 7/2009 Weh ..... B67D 7/50

Int. Filing Date: **Mar. 16, 2017**

285/313

Int. Reg. No.: **DM/095576**

\* cited by examiner

Int. Reg. Date: **Mar. 16, 2017**

*Primary Examiner* — Keli L Hill

Int. Reg. Pub. Date: **Apr. 21, 2017**

(57) **CLAIM**

The ornamental design for a pipe coupling, as shown and described.

(51) **LOC (11) Cl.** ..... **23-01**

**DESCRIPTION**

(52) **U.S. Cl.**

1. Pipe coupling

USPC ..... **D23/226**

1.1 : Left

(58) **Field of Classification Search**

USPC ..... D23/213, 223, 224, 226, 231, 262, 263,

1.2 : Right

D23/266

1.3 : Top

CPC ... B67D 5/37; B67D 7/50; F16L 37/46; F16L

1.4 : Bottom

37/00; F17C 13/12; F17C 2205/0376

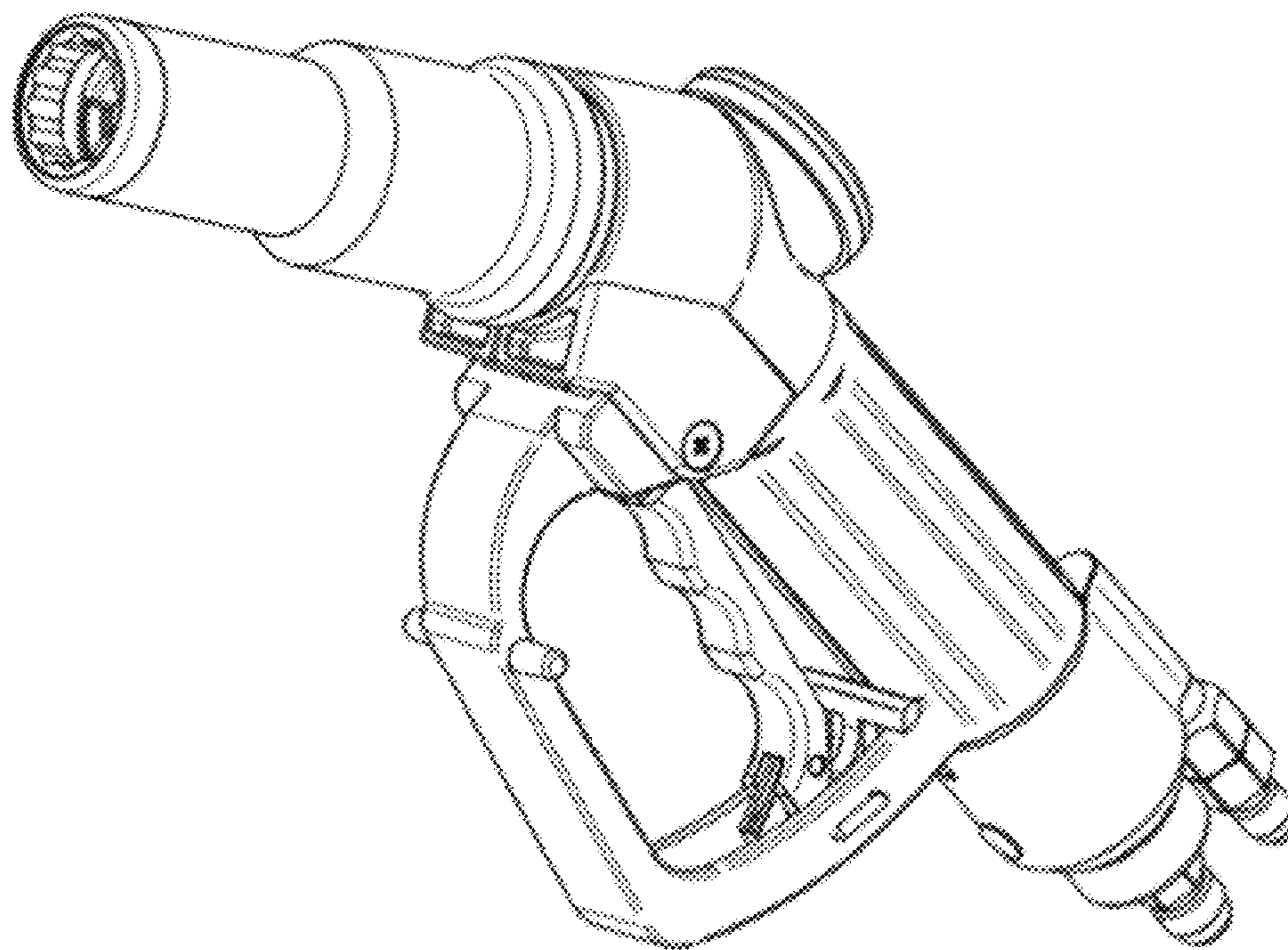
1.5 : Back

See application file for complete search history.

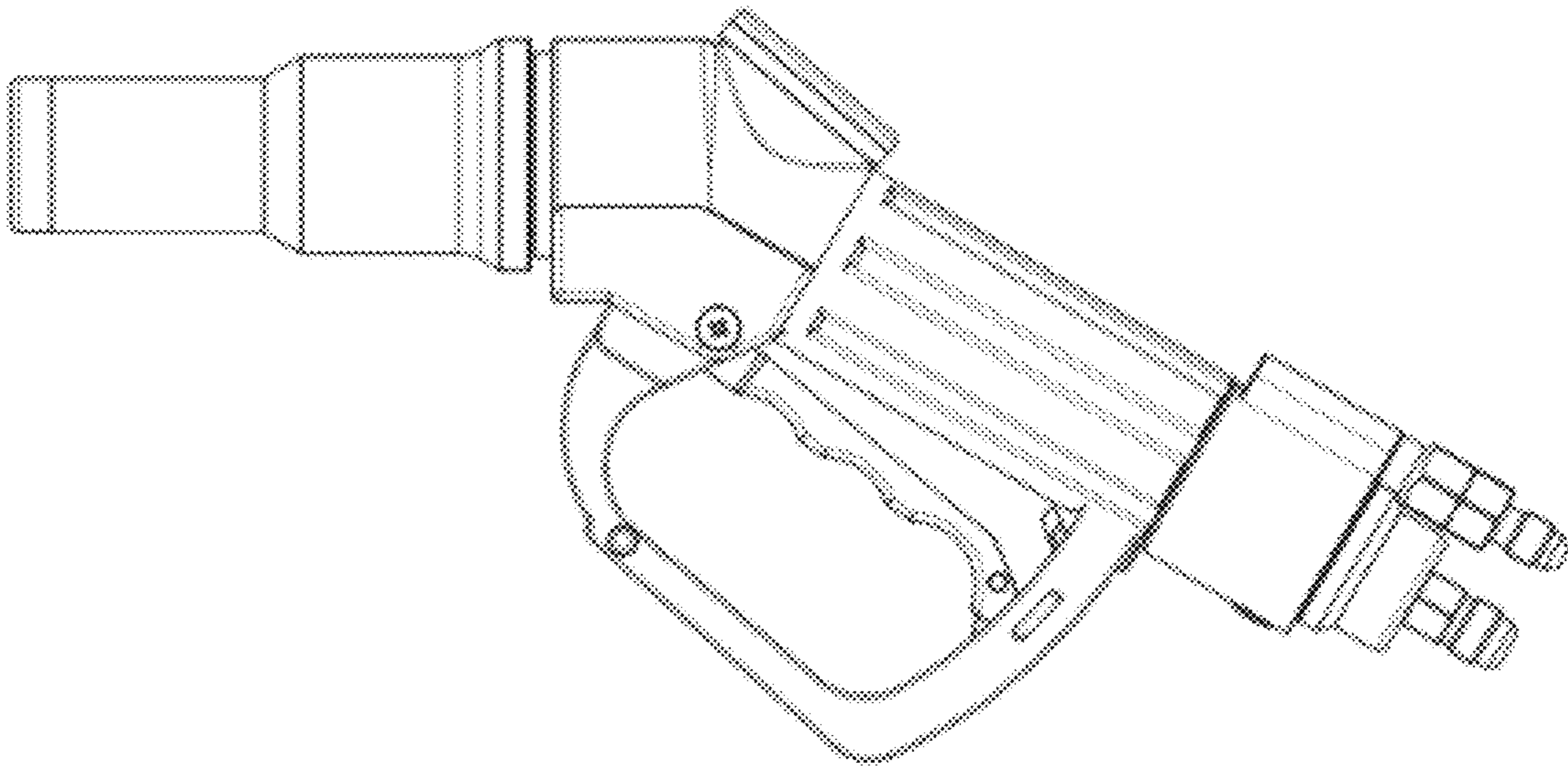
1.6 : Front

1.7 : Perspective

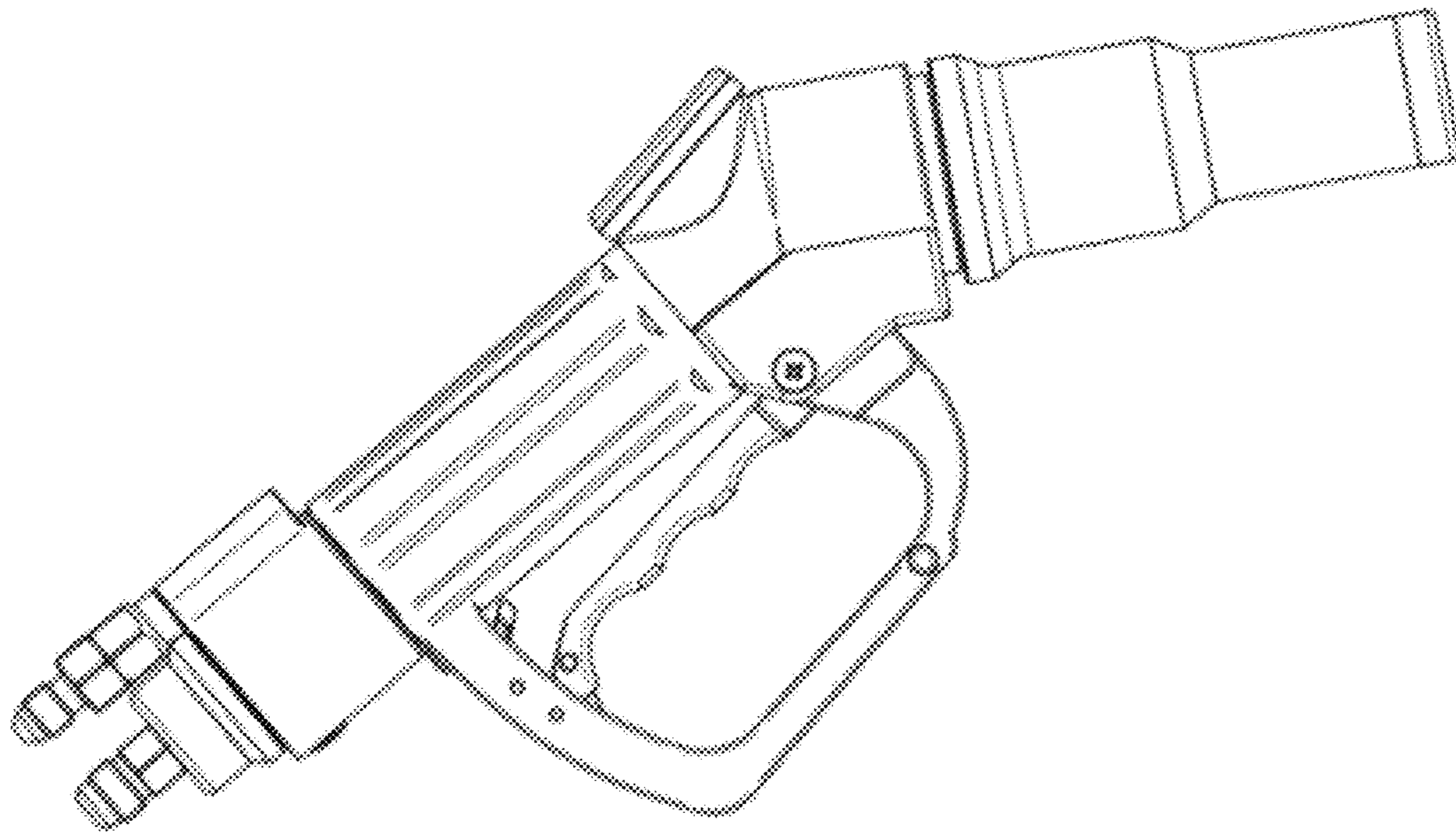
**1 Claim, 7 Drawing Sheets**



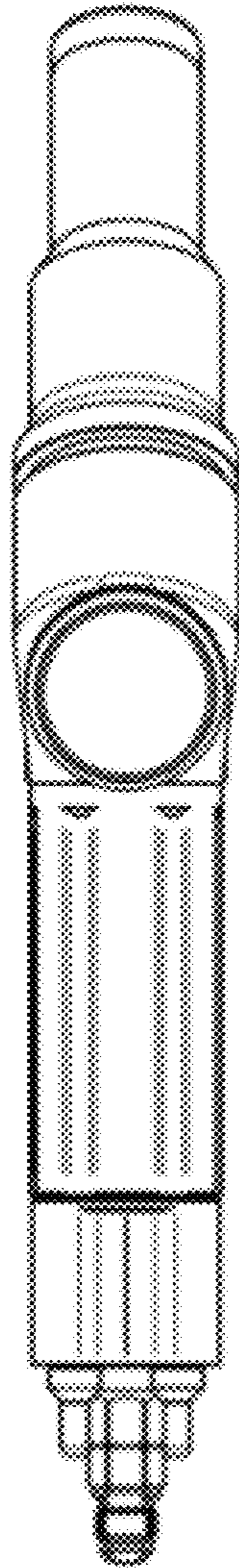
**1.1**



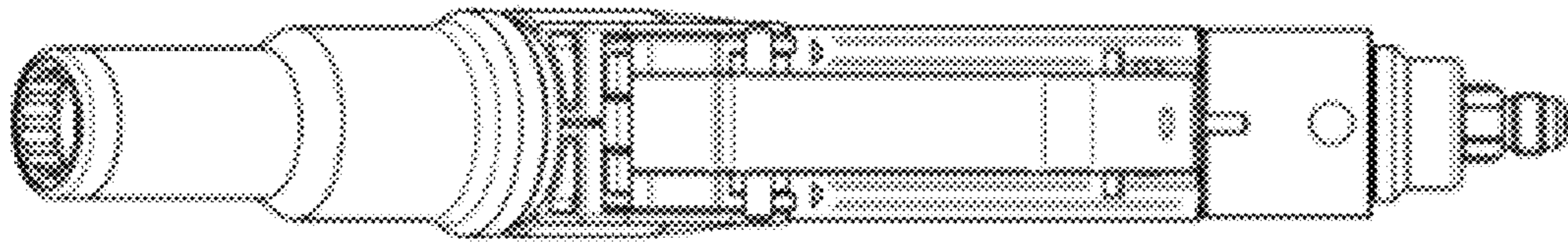
1.2



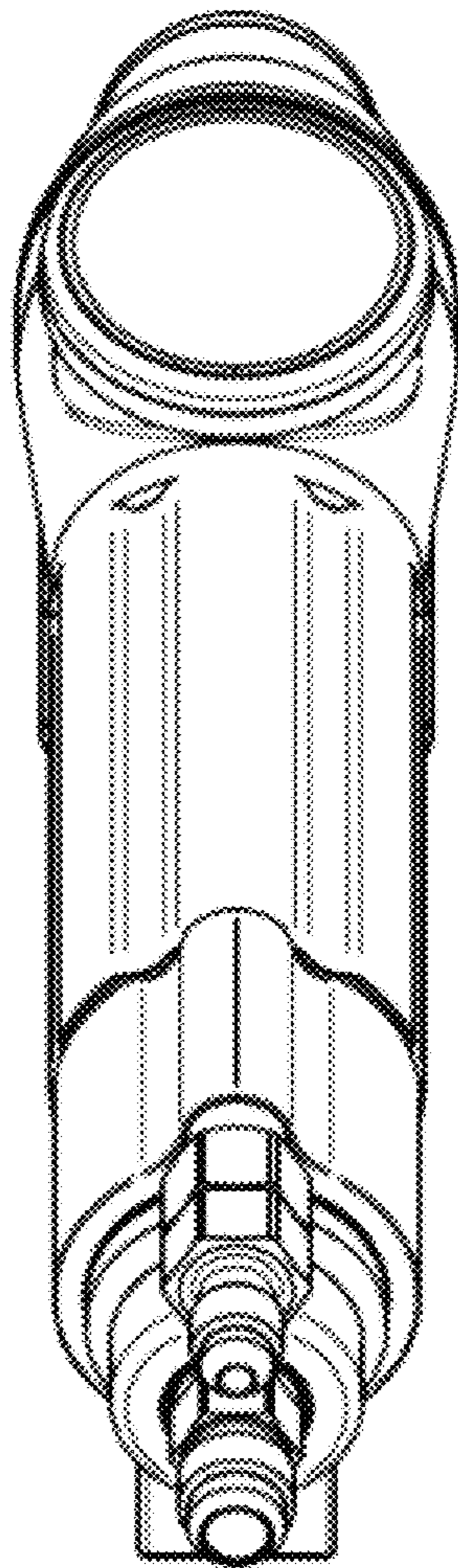
**1.3**



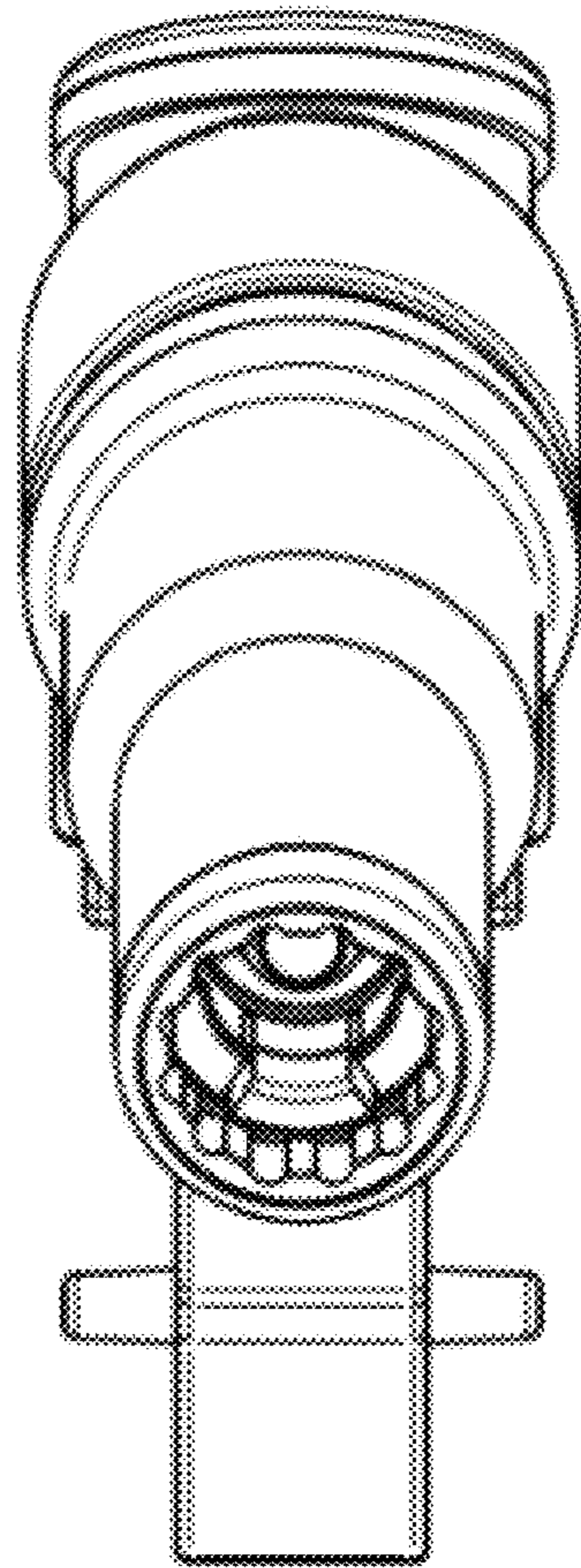
1.4



1.5



1.6



1.7

