



US00D831151S

(12) **United States Design Patent**
Zhang et al.

(10) **Patent No.:** **US D831,151 S**
(45) **Date of Patent:** **** Oct. 16, 2018**

(54) **ARTHROPOD TRAP**

(71) Applicant: **Sterling International Inc.**, Spokane, WA (US)

(72) Inventors: **Qing-He Zhang**, Greenacres, WA (US);
Marc Chapin, Spokane, WA (US);
Rodney G. Schneidmiller, Greenacres, WA (US)

(73) Assignee: **Sterling International Inc.**, Spokane, WA (US)

(**) Term: **15 Years**

(21) Appl. No.: **29/622,825**

(22) Filed: **Oct. 19, 2017**

(51) **LOC (11) Cl.** **22-06**

(52) **U.S. Cl.**
USPC **D22/122**

(58) **Field of Classification Search**
USPC D22/119–124; 43/58, 60, 107, 112, 121,
43/124, 131, 132.1

(Continued)

(56) **References Cited**

U.S. PATENT DOCUMENTS

4,709,504 A * 12/1987 Andric A01M 1/14
43/114
5,042,194 A * 8/1991 Cohen A01M 1/2011
43/107

(Continued)

Primary Examiner — Catherine R Oliver-Garcia

(74) *Attorney, Agent, or Firm* — Christensen O'Connor Johnson Kindness, PLLC; Ryan E. Dodge, Jr.; George E. Renzoni

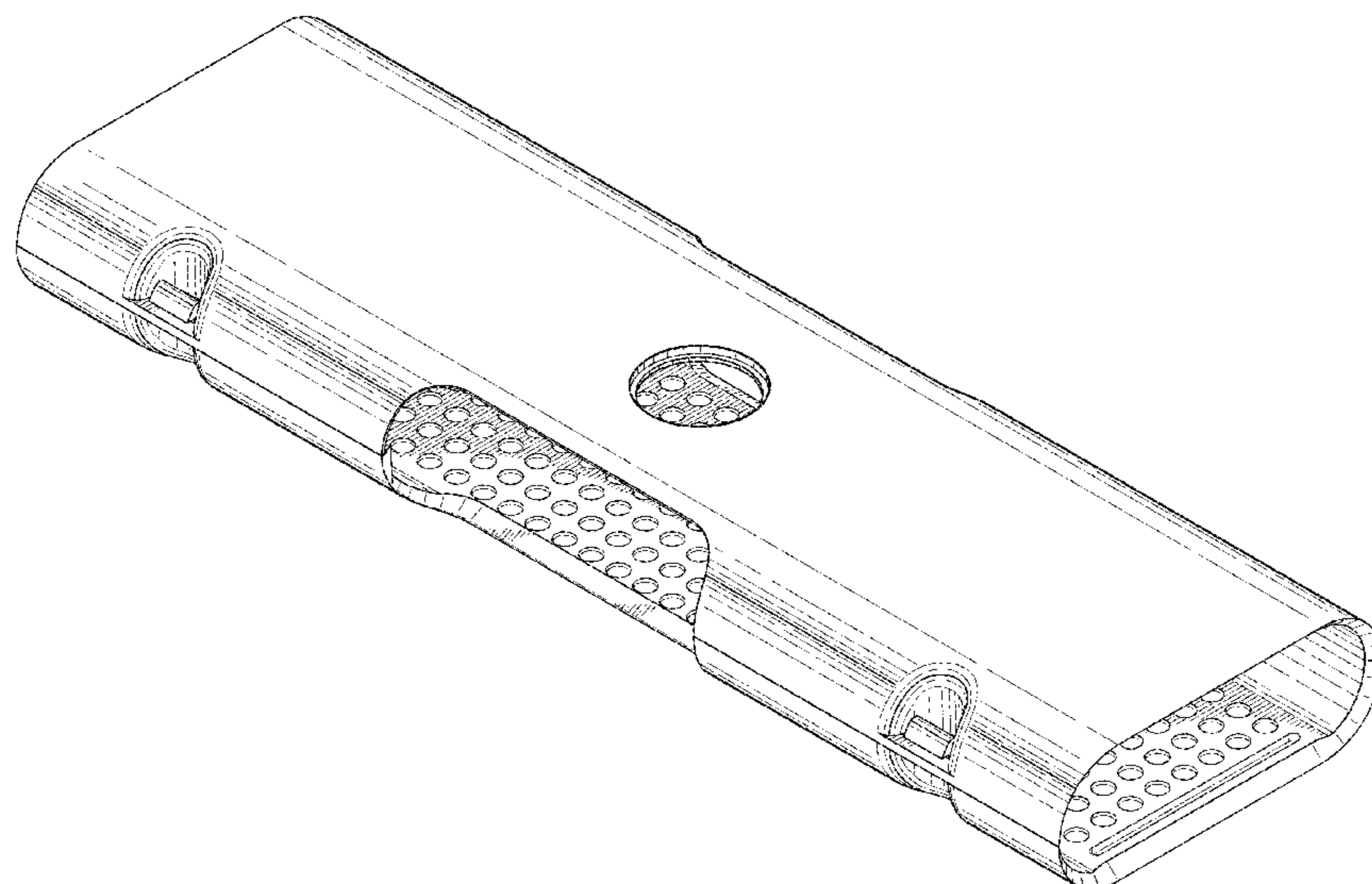
(57) **CLAIM**

The ornamental design for an arthropod trap, as shown and described.

DESCRIPTION

FIG. 1 is an upper-front-right perspective view of an arthropod trap, according to our new design;
FIG. 2 is a top plan view of the arthropod trap shown in FIG. 1;
FIG. 3 is a bottom plan view of the arthropod trap shown in FIG. 1;
FIG. 4 is a front view of the arthropod trap shown in FIG. 1;
FIG. 5 is a rear view of the arthropod trap shown in FIG. 1;
FIG. 6 is a left side view of the arthropod trap shown in FIG. 1;
FIG. 7 is a right side view of the arthropod trap shown in FIG. 1; and
FIG. 8 is an upper-front-right perspective view of the arthropod trap shown in FIG. 1, showing the arthropod trap in an open configuration;
FIG. 9 is an upper-front-right perspective view of an arthropod trap, according to a second embodiment of our new design;
FIG. 10 is a top plan view of the arthropod trap shown in FIG. 9;
FIG. 11 is a bottom plan view of the arthropod trap shown in FIG. 9;
FIG. 12 is a front view of the arthropod trap shown in FIG. 9;
FIG. 13 is a rear view of the arthropod trap shown in FIG. 9;
FIG. 14 is a left side view of the arthropod trap shown in FIG. 9;
FIG. 15 is a right side view of the arthropod trap shown in FIG. 9; and,
FIG. 16 is an upper-front-right perspective view of the arthropod trap shown in FIG. 9, showing the arthropod trap in an open configuration.
The broken line showing of interior surface features is for the purpose of illustrating portions of the arthropod trap and forms no part in the claimed design.

1 Claim, 12 Drawing Sheets



(58) **Field of Classification Search**

CPC A01M 1/14; A01M 1/026; A01M 1/2011;
A01M 1/2005; A01M 25/0004; A01M
31/00

See application file for complete search history.

(56) **References Cited**

U.S. PATENT DOCUMENTS

5,454,186 A * 10/1995 Gang A01M 1/02
43/114
5,572,825 A * 11/1996 Gehret A01M 1/02
43/114
D386,555 S * 11/1997 Krug D22/122
5,930,944 A 8/1999 Knuppel
6,370,814 B1 4/2002 Curtis et al.
D465,254 S * 11/2002 Vernon D22/122
6,618,983 B1 * 9/2003 Spragins A01M 1/14
43/107
D587,779 S 3/2009 Cink
D639,379 S 6/2011 Crouse et al.
D711,495 S * 8/2014 Metlen D22/119
D722,128 S 2/2015 Wang et al.
D761,931 S 7/2016 Zhang et al.

* cited by examiner

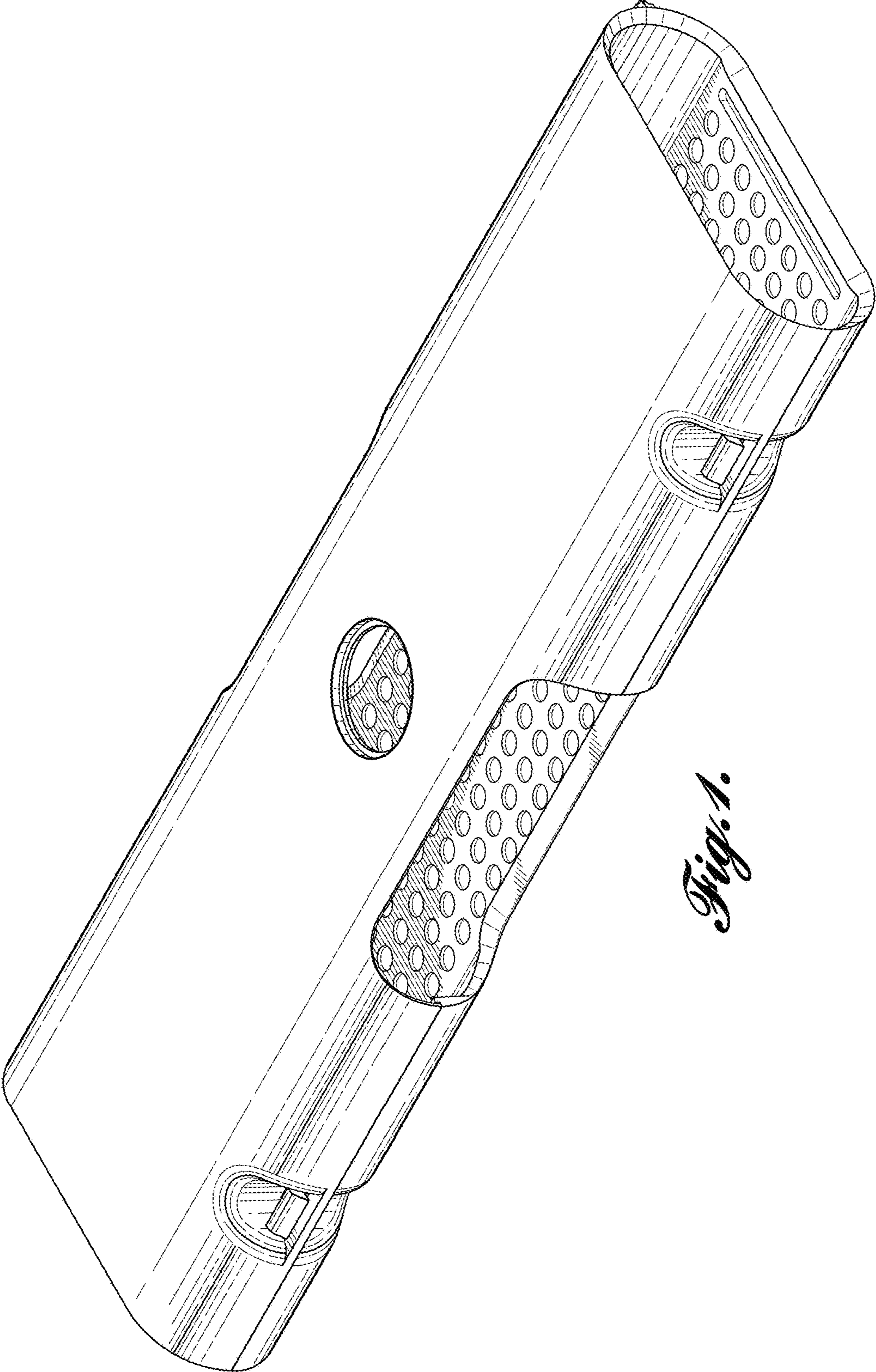


Fig. 1.

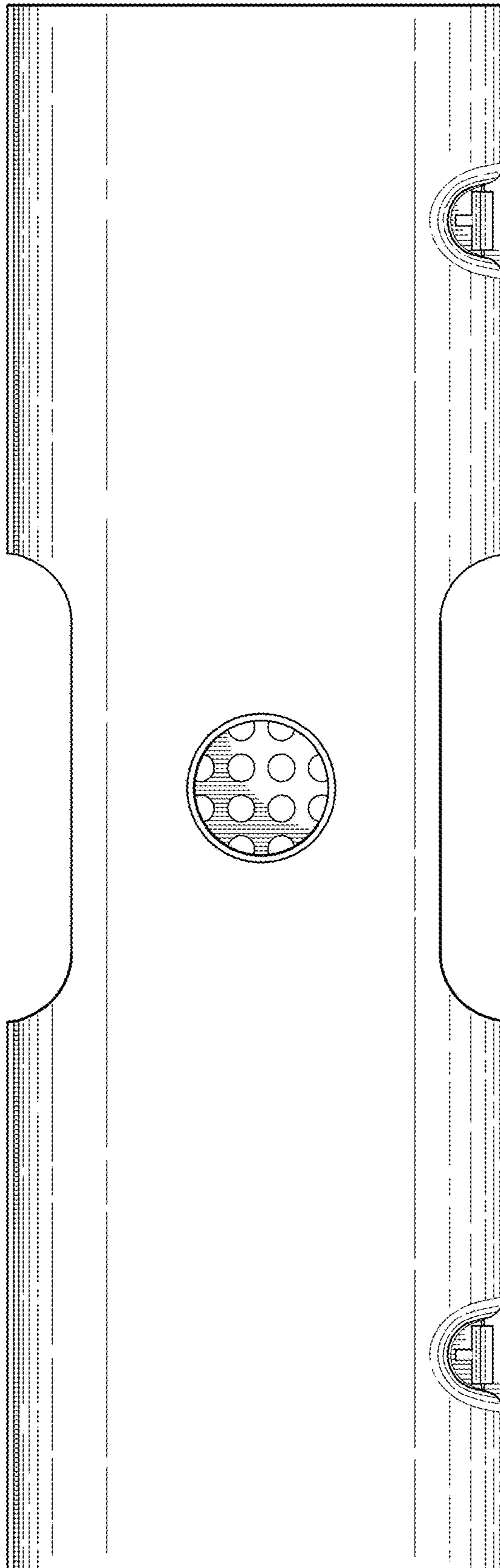


Fig. 2.

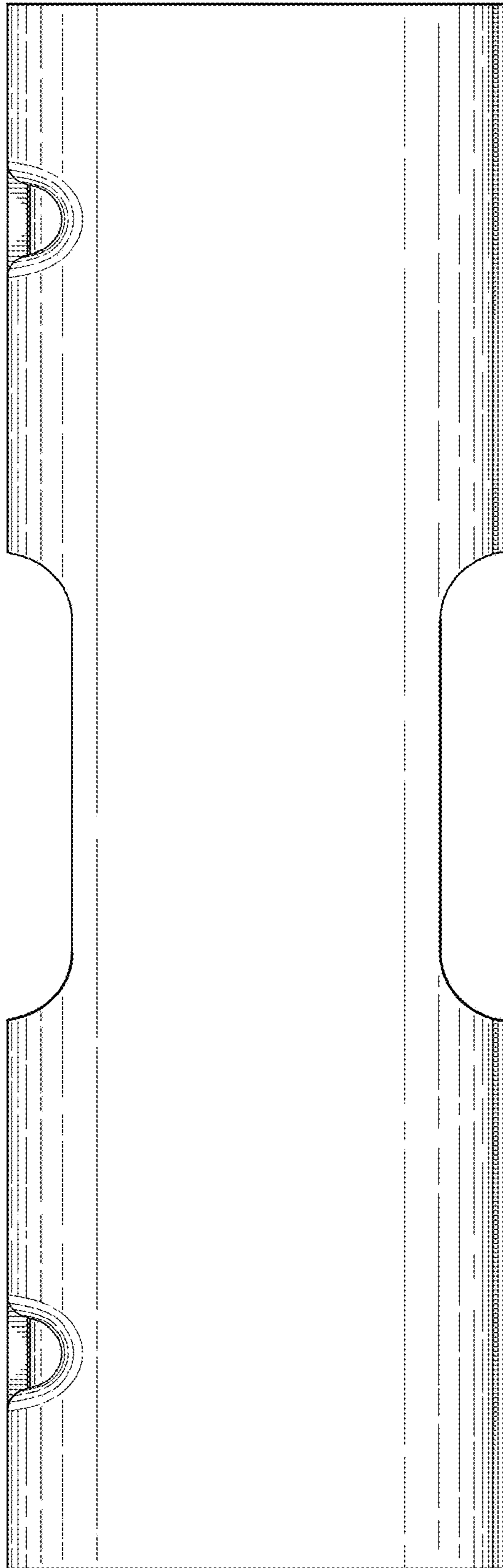


Fig. 3.

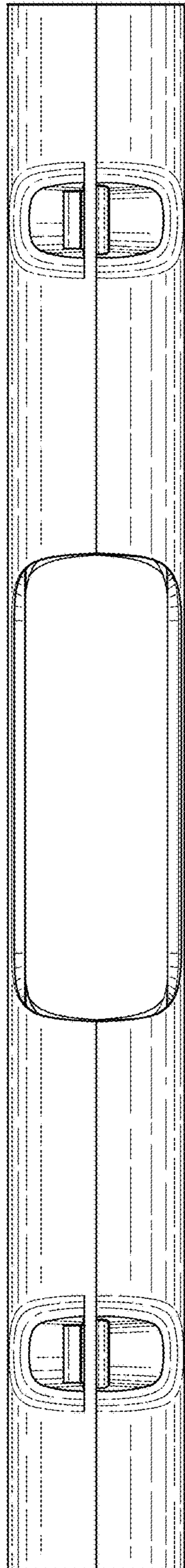


Fig. 4.

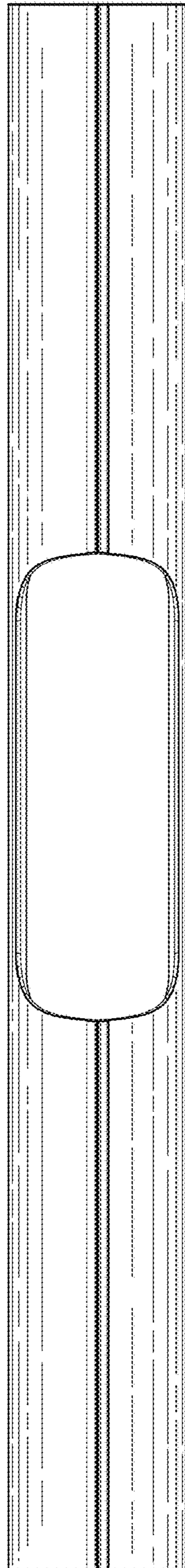


Fig. 5.

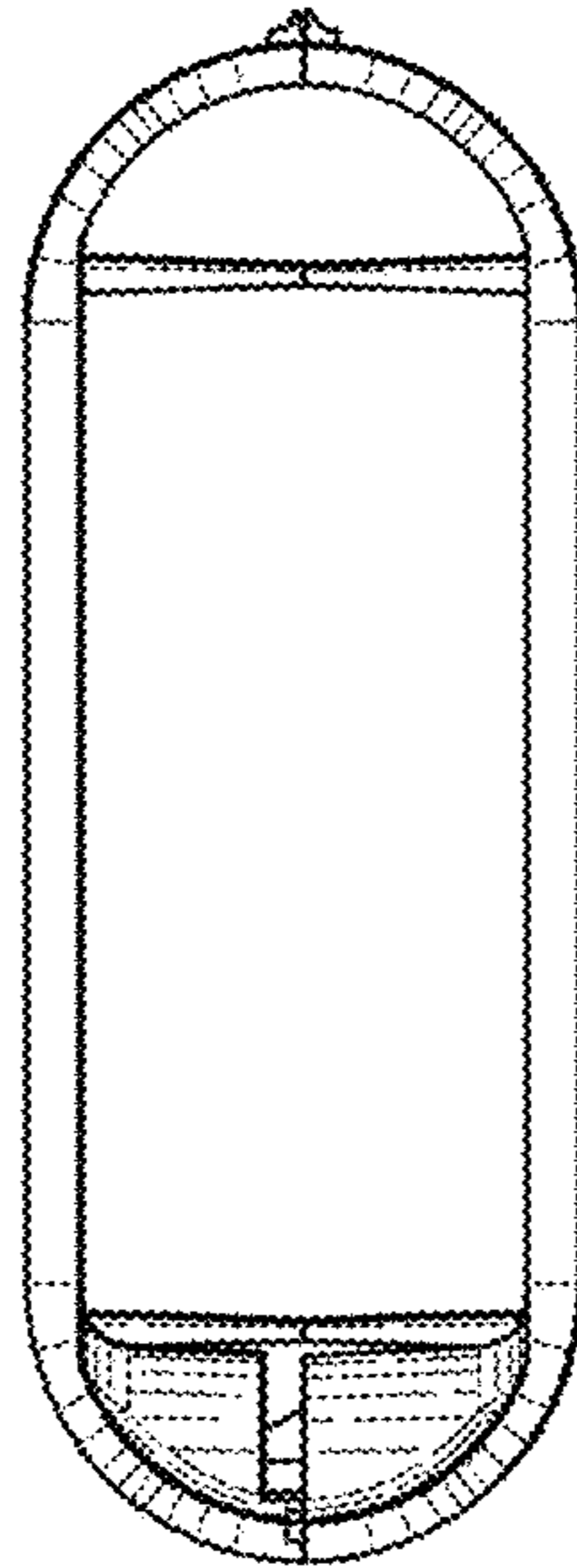


Fig. 7.

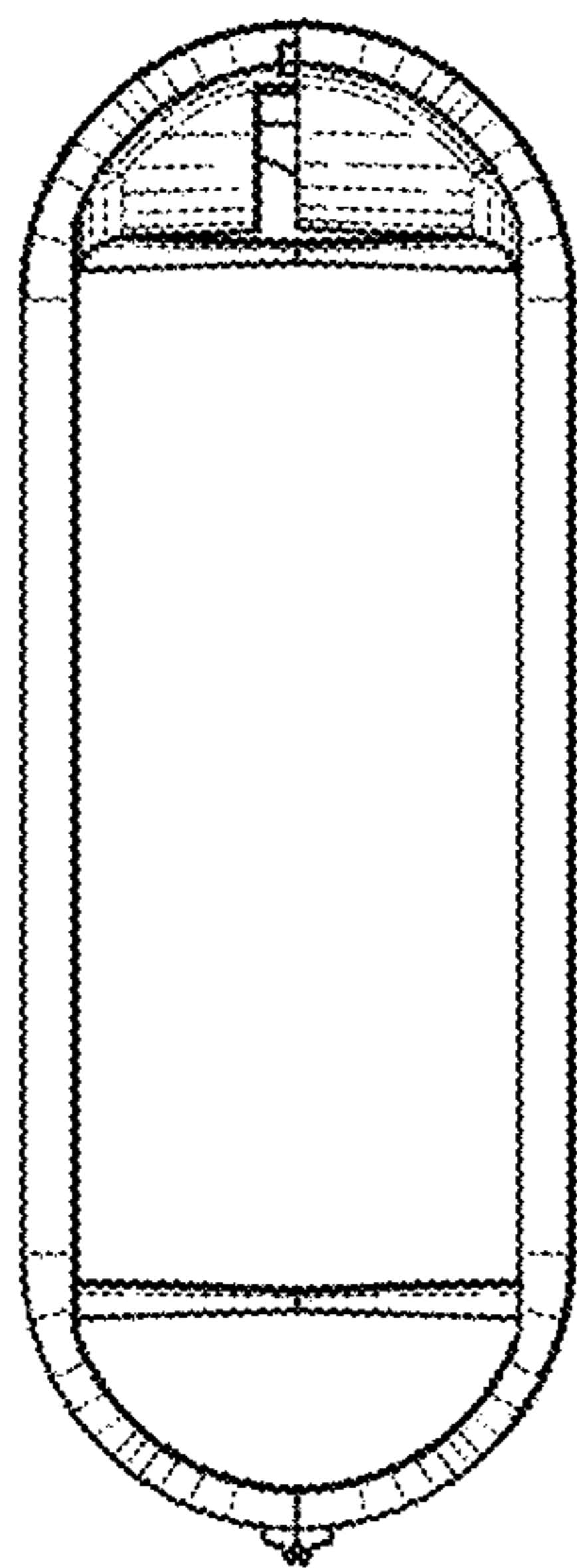


Fig. 6.

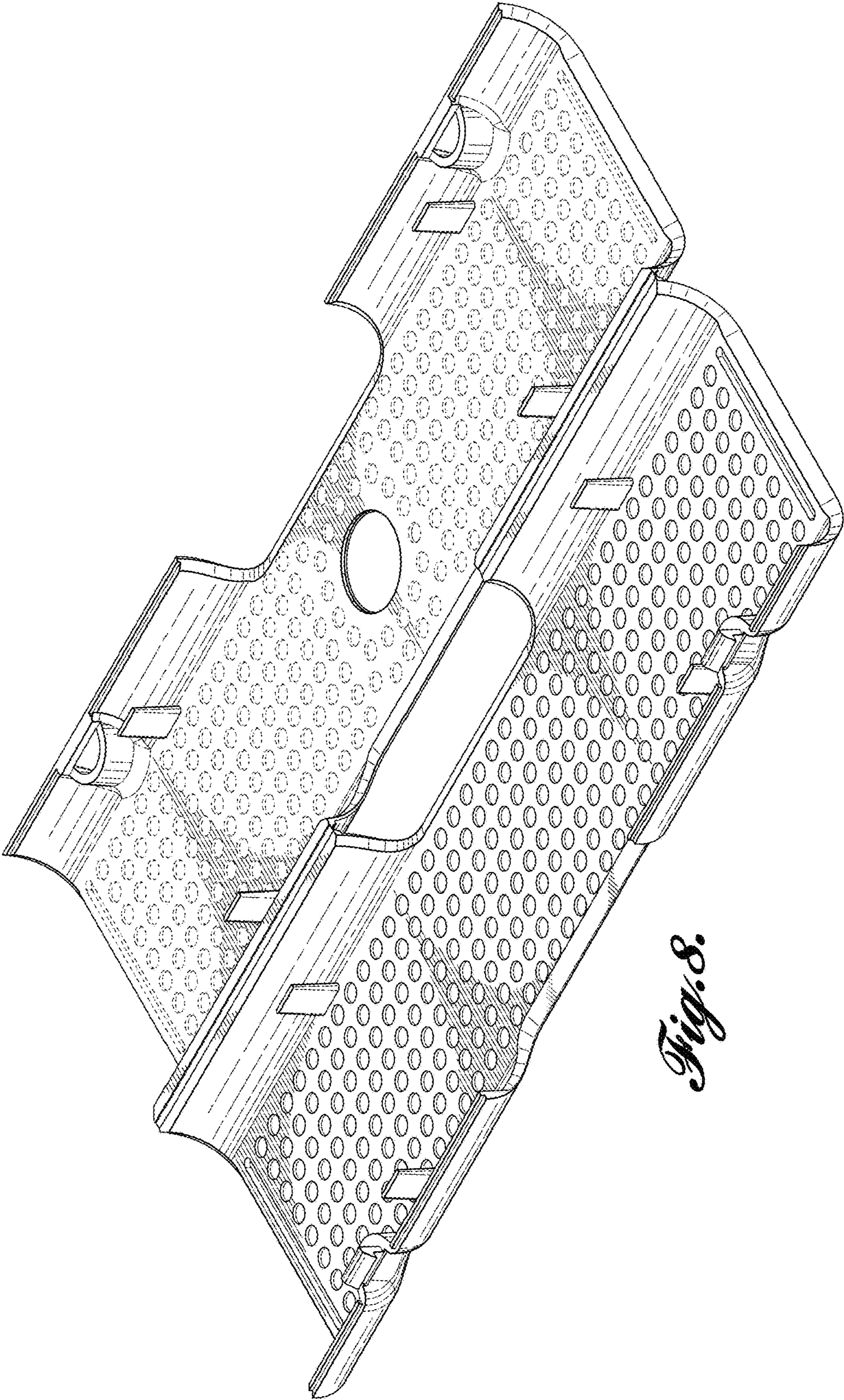


Fig. 8.

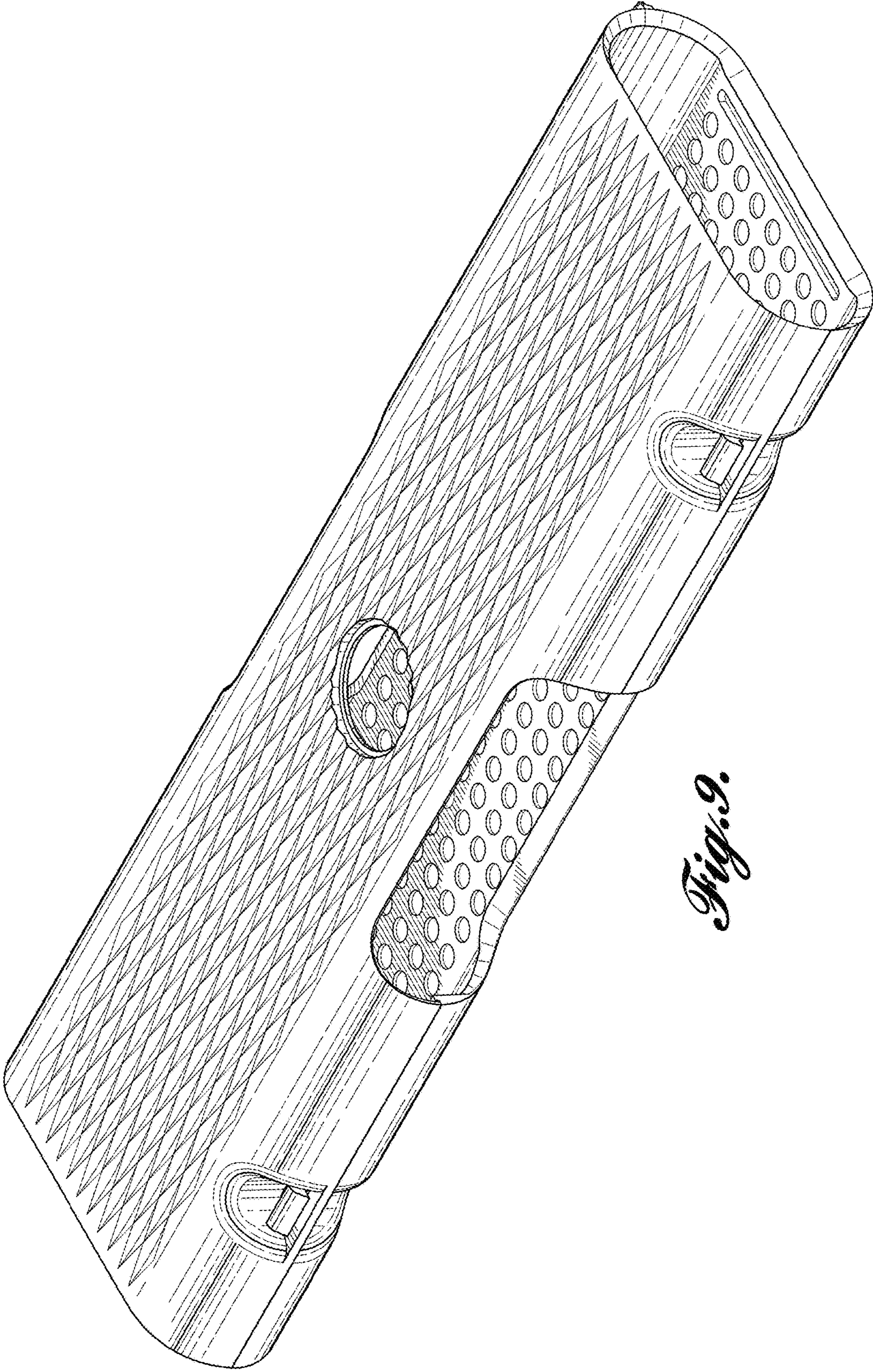


Fig. 9.

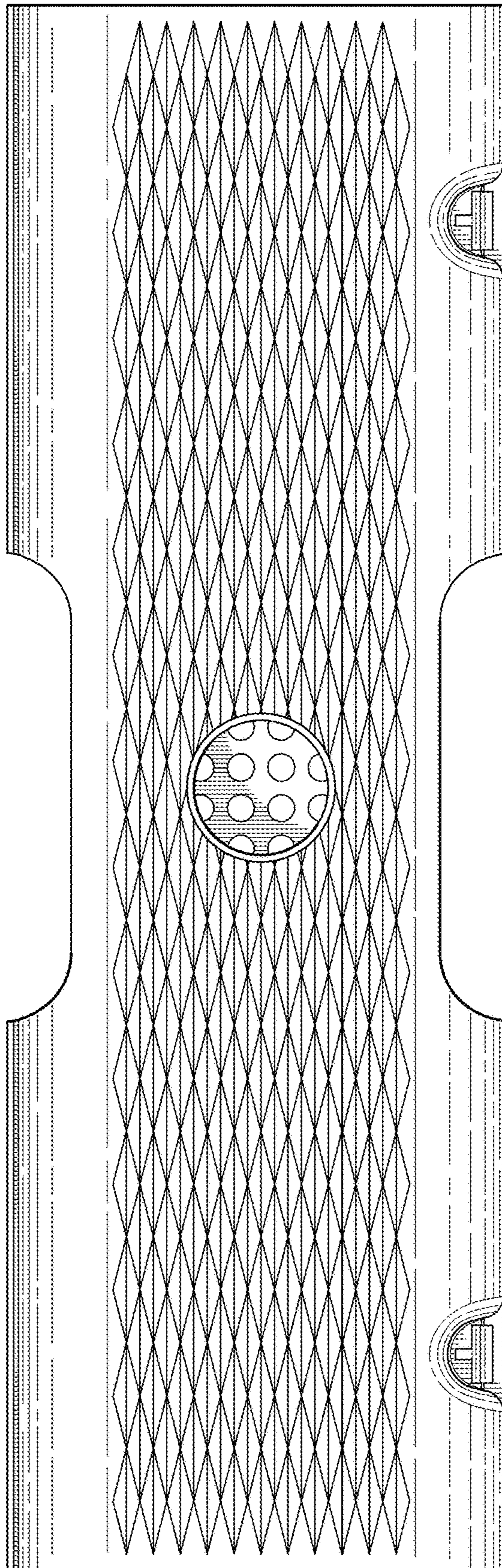


Fig. 10.

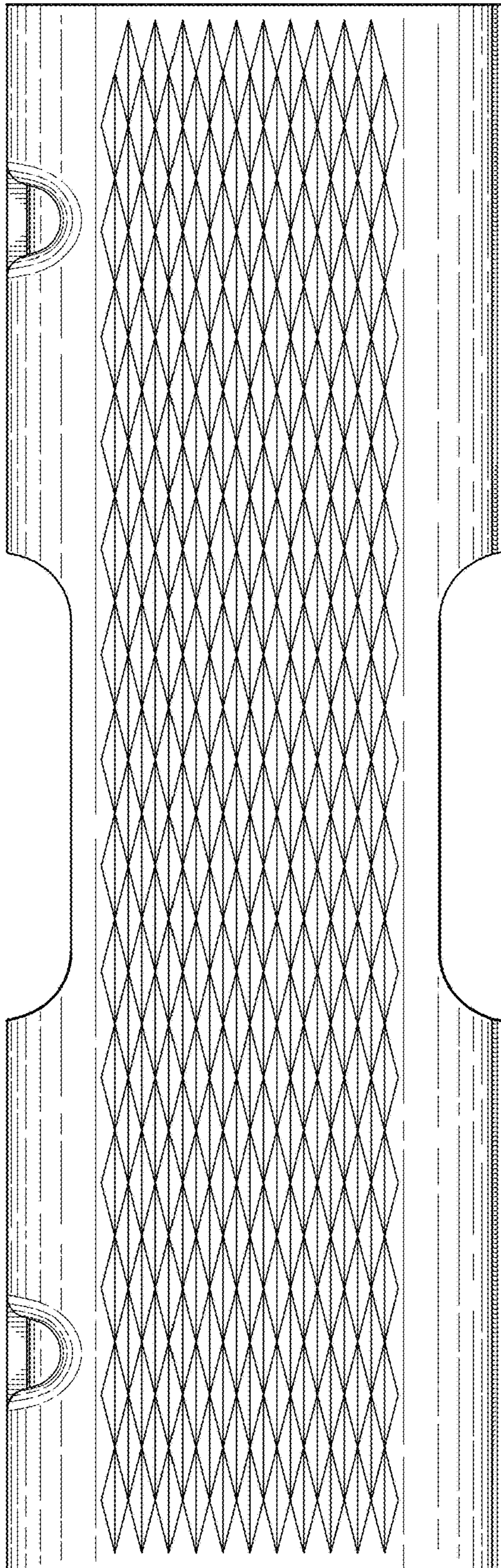


Fig. 11.

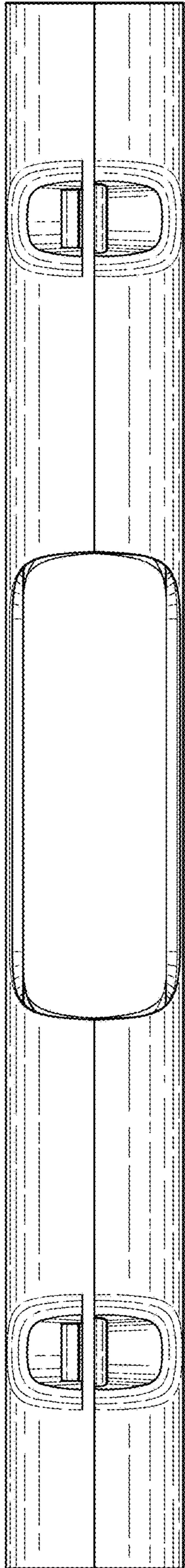


Fig. 12.

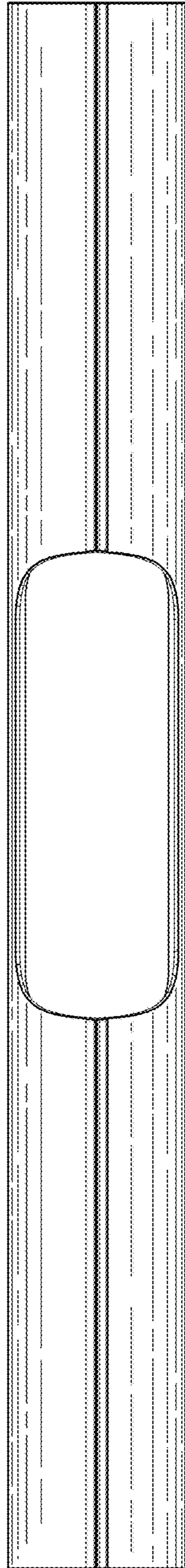


Fig. 13.

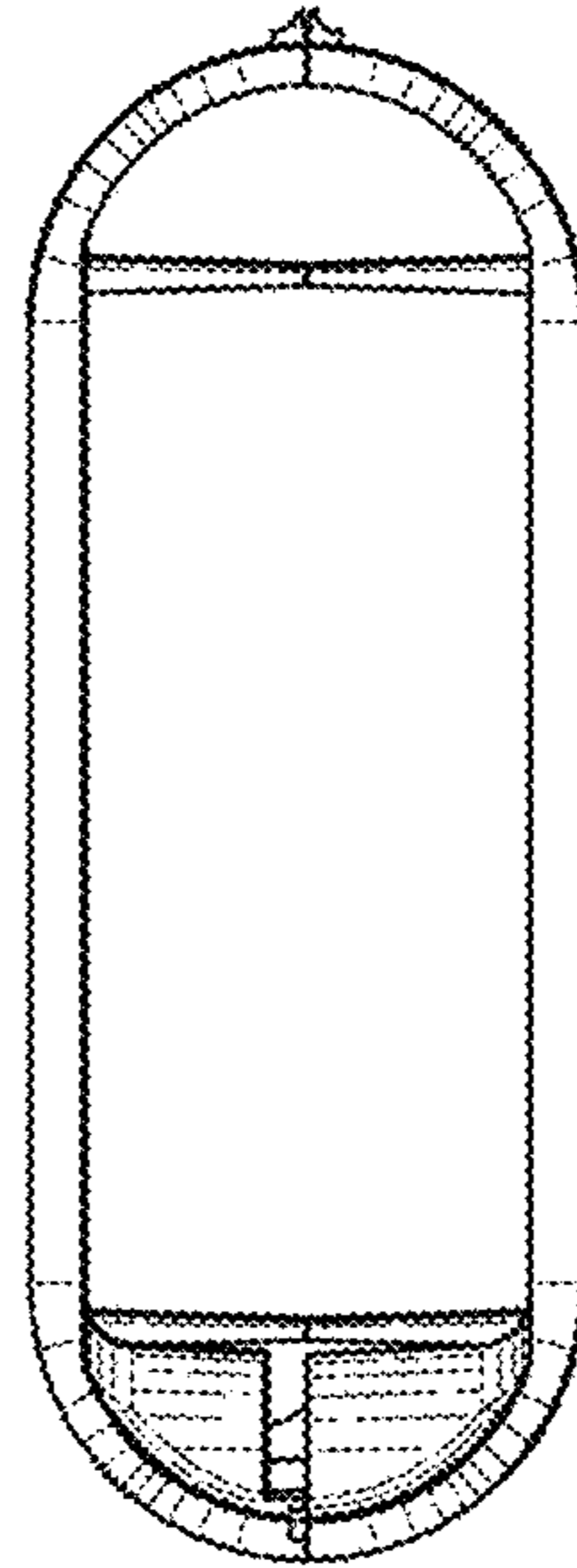


Fig. 15.

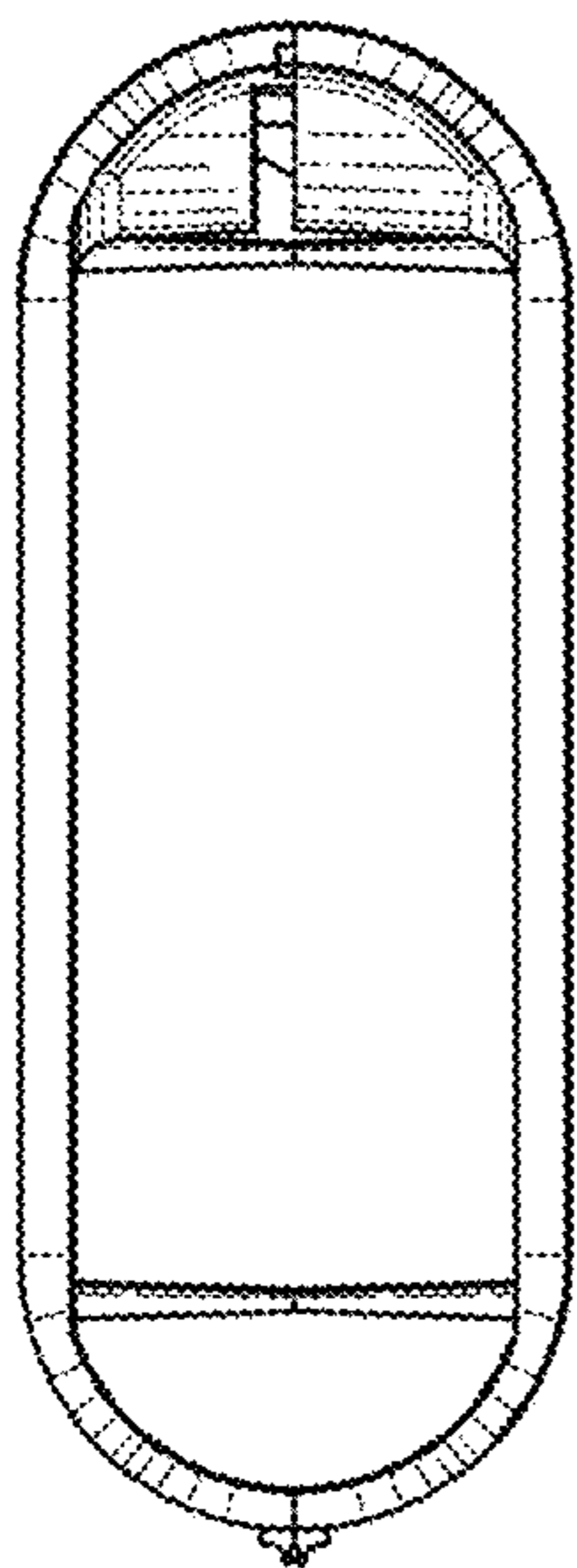


Fig. 14.

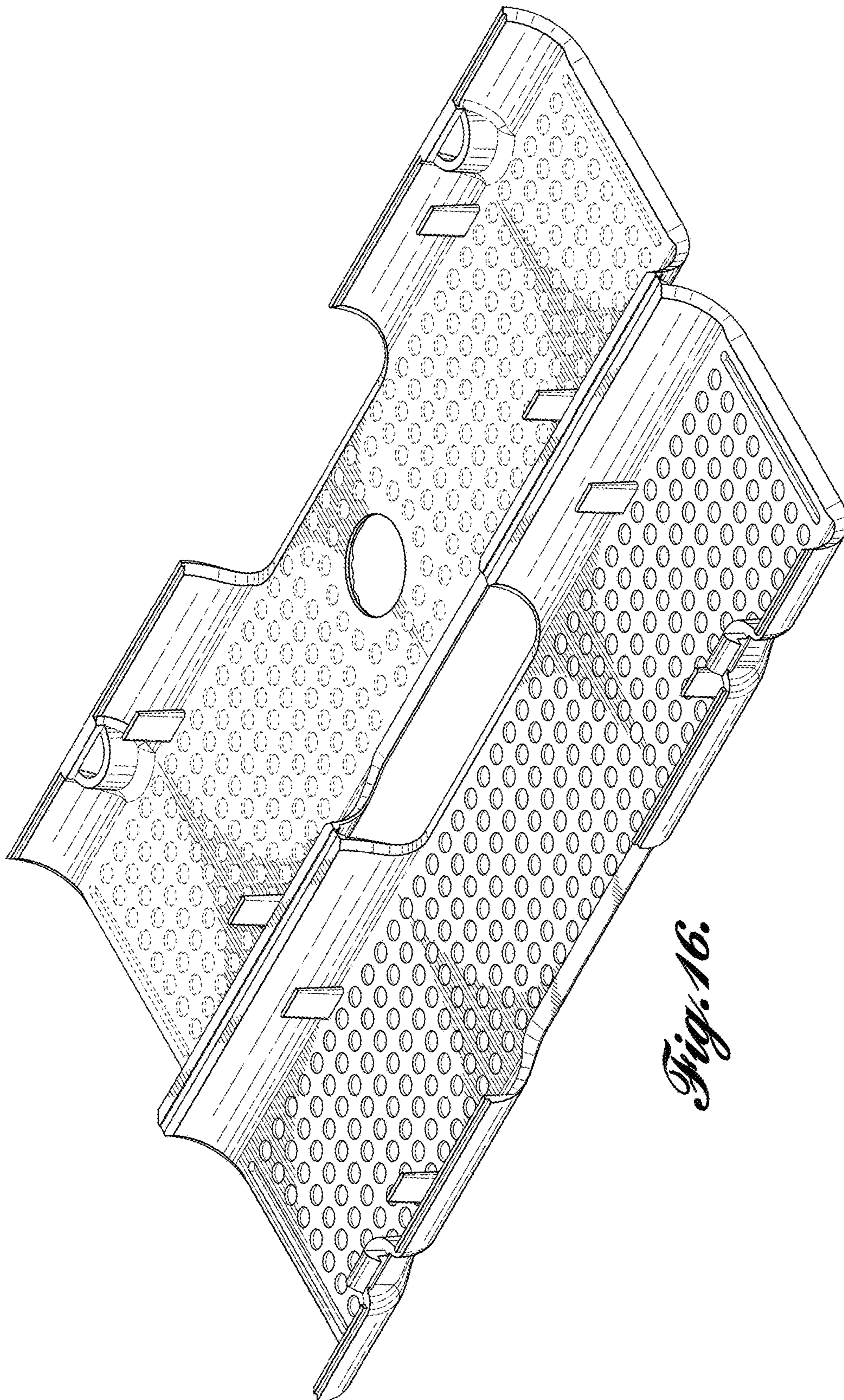


Fig. 16.