



US00D831150S

(12) **United States Design Patent**
Lelio

(10) **Patent No.:** **US D831,150 S**
(45) **Date of Patent:** **** Oct. 16, 2018**

- (54) **OUT ONLY RODENT BLOCKER**
- (71) Applicant: **Chester F. Lelio**, Lincoln, CA (US)
- (72) Inventor: **Chester F. Lelio**, Lincoln, CA (US)
- (**) Term: **15 Years**
- (21) Appl. No.: **29/648,164**
- (22) Filed: **May 18, 2018**
- (51) **LOC (11) Cl.** **22-06**
- (52) **U.S. Cl.**
USPC **D22/120**
- (58) **Field of Classification Search**
USPC D22/119-124; 43/58, 65, 78, 80, 121,
43/124, 131, 132.1
CPC A01M 23/00; A01M 23/08; A01M 23/24;
A01M 23/36; A01M 23/38
See application file for complete search history.

- D631,936 S * 2/2011 Wright A01M 23/30
D22/119
- 7,908,790 B2 * 3/2011 Mahony A01M 23/30
43/58
- D661,368 S * 6/2012 Leathers D22/119
- 8,413,369 B1 * 4/2013 Neymeyer A01M 29/30
43/124

* cited by examiner

Primary Examiner — Catherine R Oliver-Garcia
(74) *Attorney, Agent, or Firm* — Heisler & Associates

(57) **CLAIM**

The ornamental design for an out only rodent blocker, as shown and described.

DESCRIPTION

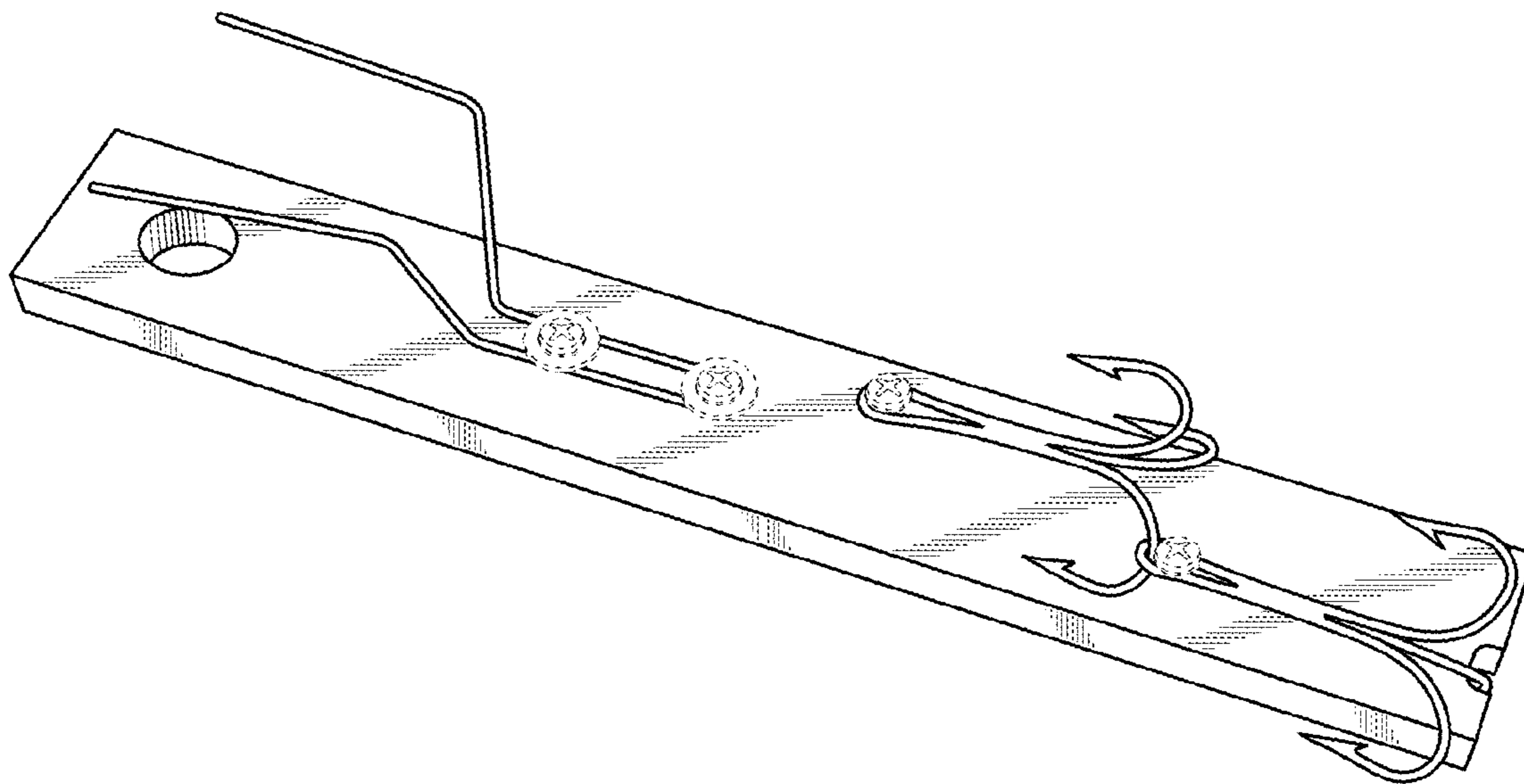
FIG. 1 is a front perspective view of the out only rodent blocker;
 FIG. 2 is a top plan view of the invention;
 FIG. 3 is a bottom plan view of the invention;
 FIG. 4 is a front elevation view of the invention;
 FIG. 5 is a rear elevation view of the invention;
 FIG. 6 is a right end elevation view of the invention;
 FIG. 7 is a left end elevation view of the invention; and,
 FIG. 8 is a front elevation view of the invention in use.
 The broken lines in the drawings represent unclaimed environmental subject matter and form no part of the claim.

1 Claim, 3 Drawing Sheets

(56) **References Cited**

U.S. PATENT DOCUMENTS

- 2,598,974 A * 6/1952 Conrad A01M 23/24
43/80
- 7,461,478 B2 * 12/2008 Schwartz A01M 23/24
43/78



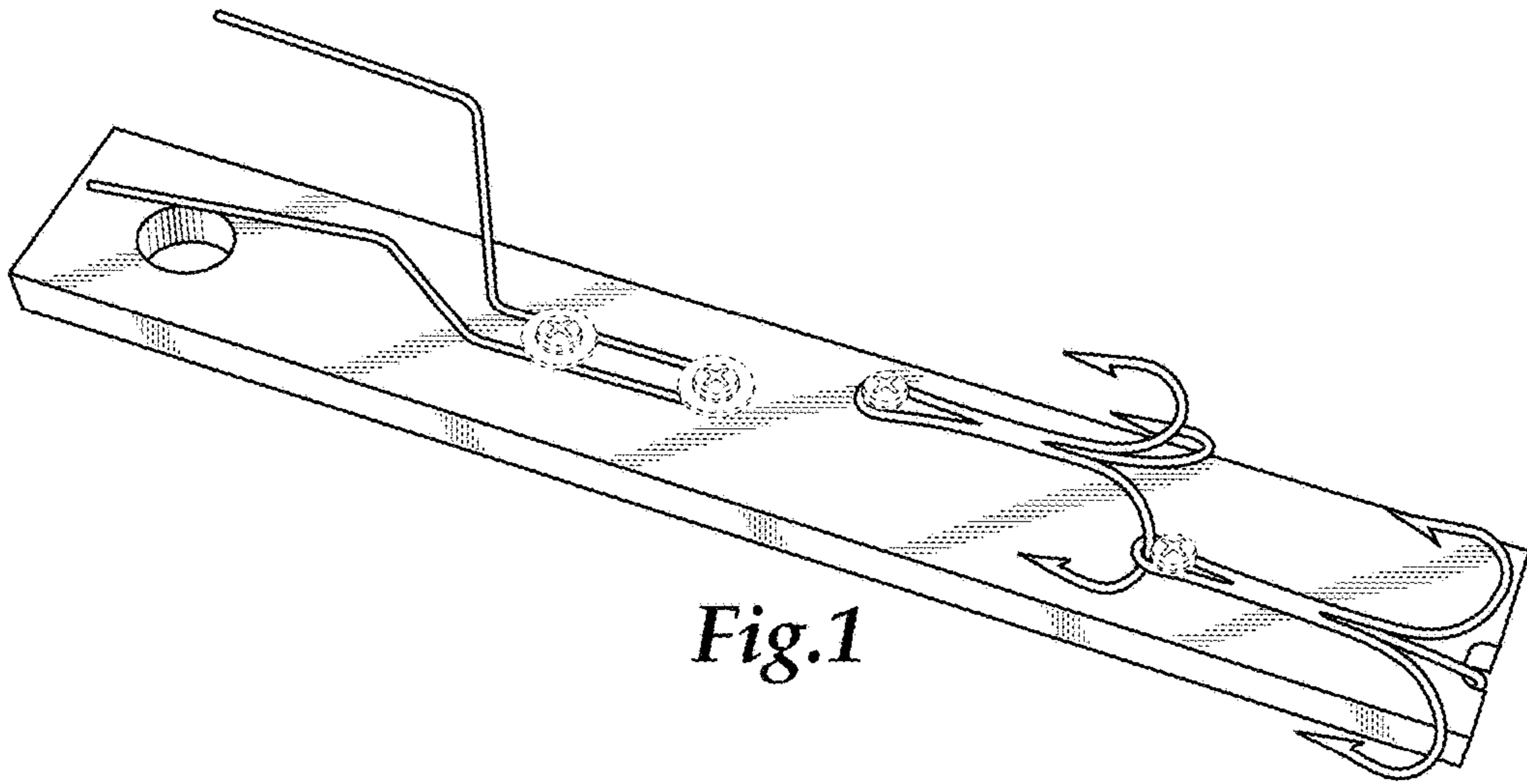


Fig.1

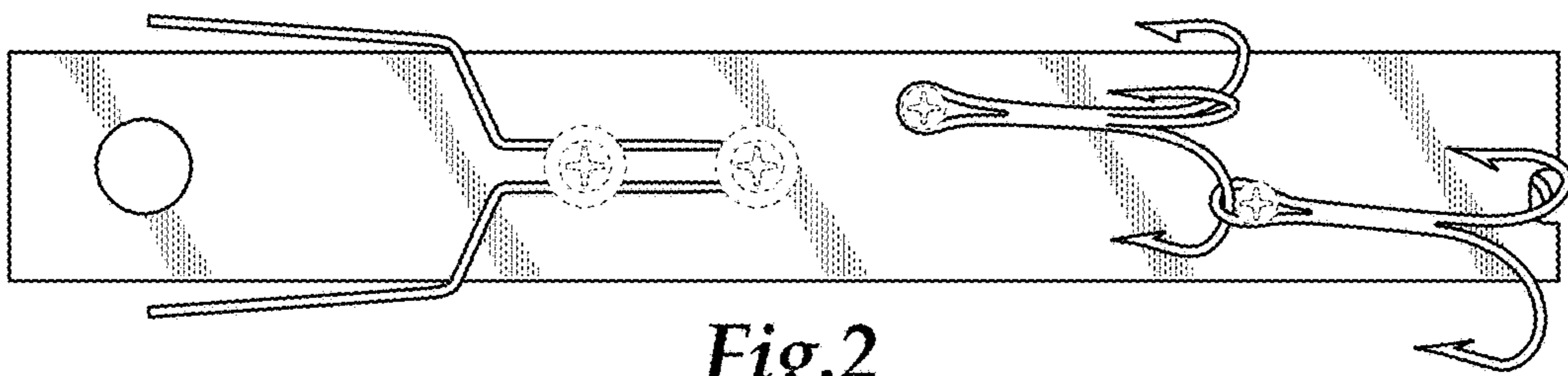


Fig.2

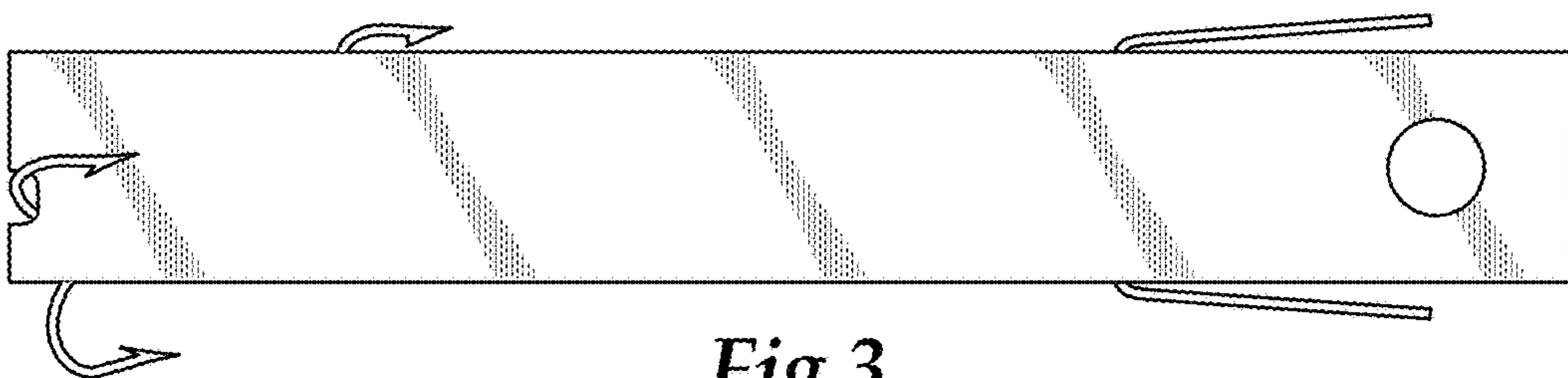


Fig.3

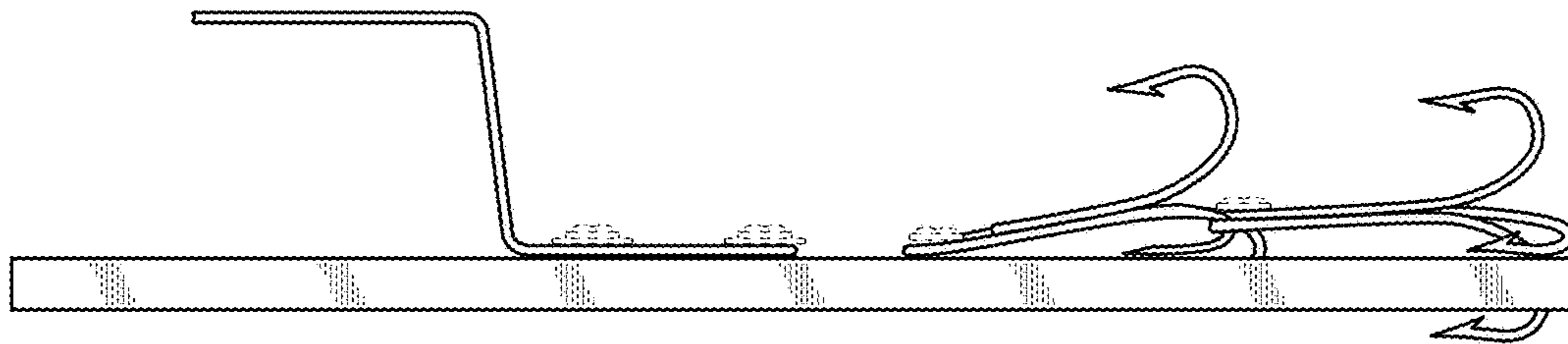


Fig.4

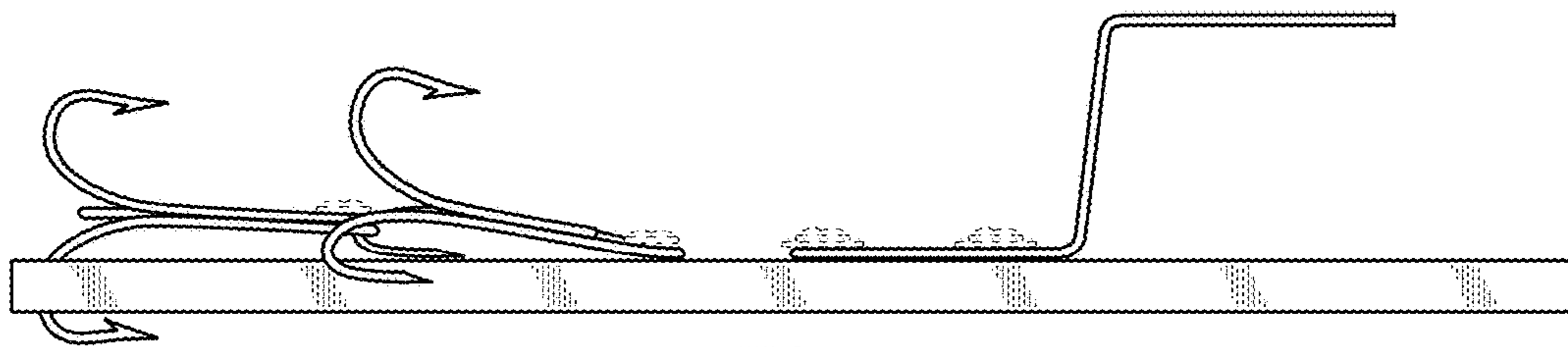


Fig.5

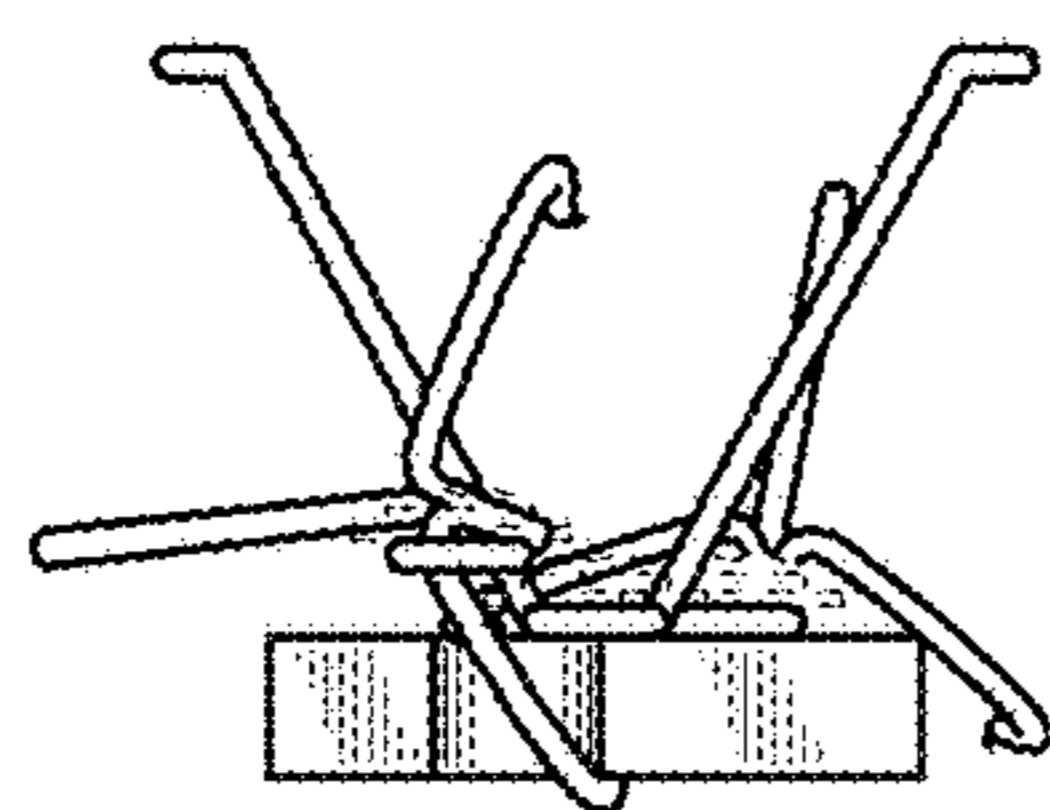


Fig.6

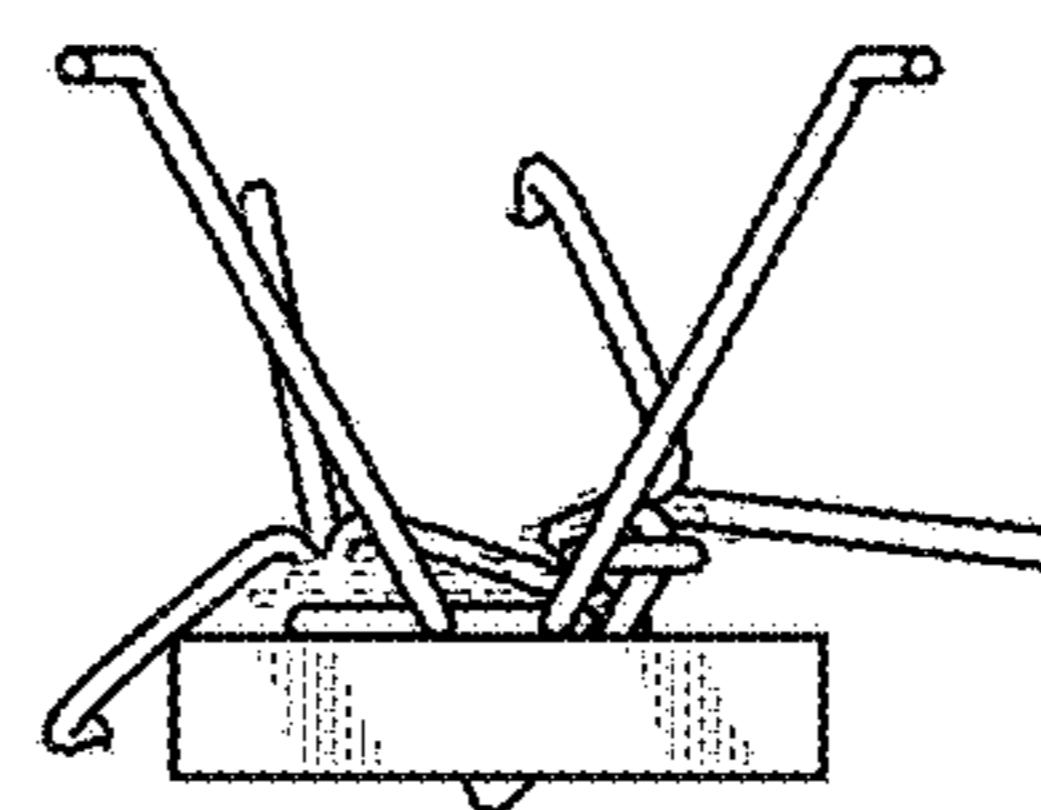


Fig.7

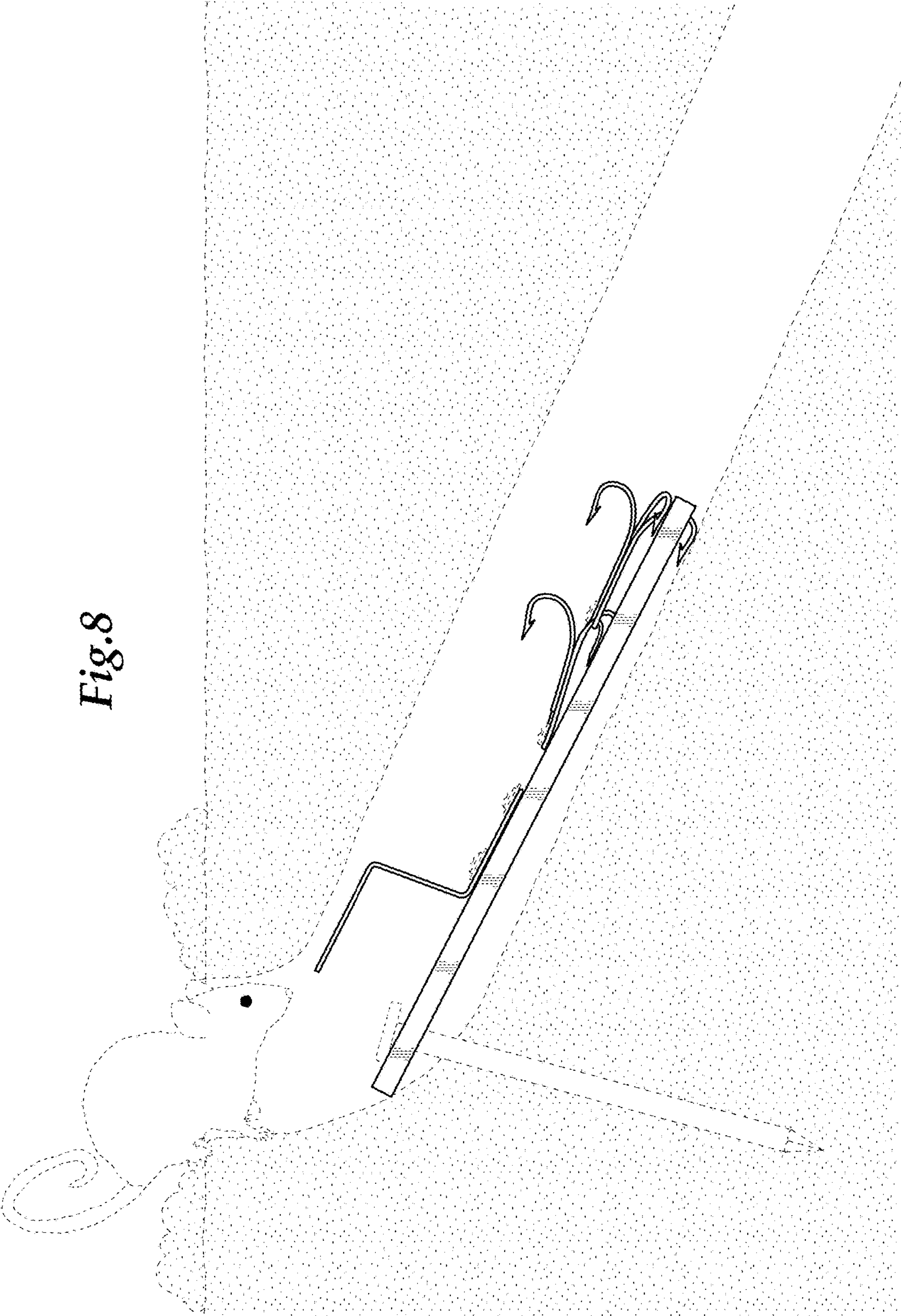


Fig.8