



US00D831149S

(12) **United States Design Patent** (10) **Patent No.:** **US D831,149 S**
Barfoot et al. (45) **Date of Patent:** **** Oct. 16, 2018**

(54) **FIREARM STOCK**

- (71) Applicant: **Magpul Industries Corp.**, Austin, TX (US)
- (72) Inventors: **Grady Barfoot**, Denver, CO (US); **Timothy Eric Roberts**, Broomfield, CO (US); **Michael T. Mayberry**, Denver, CO (US)
- (73) Assignee: **Magpul Industries Corp.**, Austin, TX (US)
- (**) Term: **15 Years**
- (21) Appl. No.: **29/623,772**
- (22) Filed: **Oct. 26, 2017**

Related U.S. Application Data

(62) Division of application No. 29/551,313, filed on Jan. 12, 2016, now Pat. No. Des. 804,602.

(51) **LOC (11) Cl.** **22-01**

(52) **U.S. Cl.**
USPC **D22/108**

(58) **Field of Classification Search**
 USPC D22/108, 103, 109, 100, 101, 104, 105, D22/110; D21/401, 461, 567, 568, D21/570-575; 124/16, 26, 27, 28, 29, 124/54, 73-77; 222/78, 79; 42/54, 57, 42/58, 71.01, 72, 73, 74, 75.03, 90; 446/23, 182, 192, 401, 403, 405-407, 446/473, 475

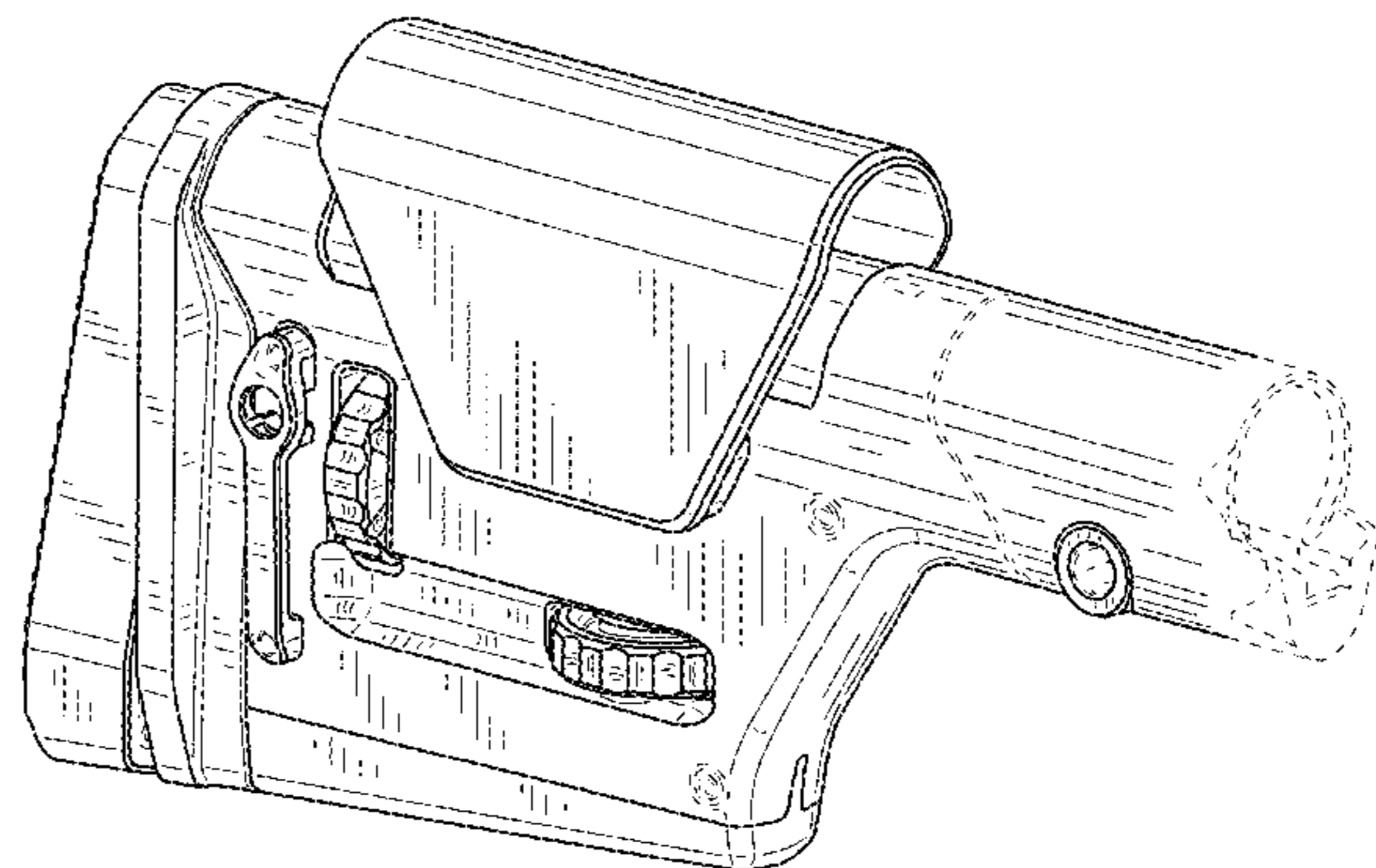
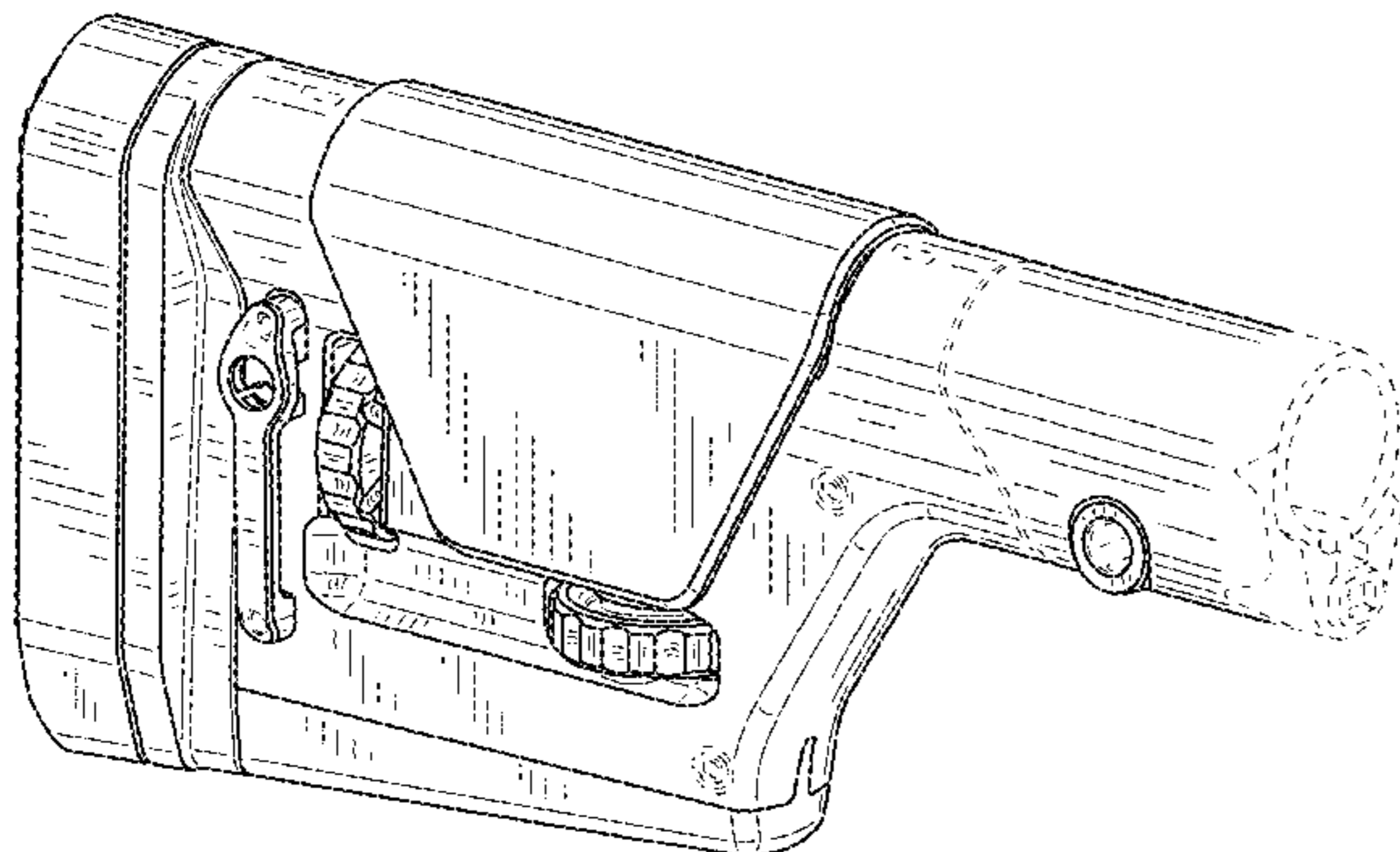
CPC F41C 23/00; F41C 23/02; F41C 23/04; F41C 23/06; F41C 23/08; F41C 23/10; F41C 23/12; F41C 23/14; F41C 23/16; F41C 23/18; F41C 23/20; F41C 23/22; F41C 7/02; F41C 7/04; F41C 7/06; F41C 7/11; F41C 7/12; F41C 27/00; F41C 27/06

See application file for complete search history.

(56) **References Cited**

U.S. PATENT DOCUMENTS

5,367,812 A	11/1994	Lautrec	
5,375,360 A	12/1994	Vatterott	
5,933,997 A	8/1999	Barrett	
5,970,642 A	10/1999	Martin	
6,012,246 A	1/2000	Robinson et al.	
6,457,273 B2	10/2002	Beretta	
6,553,707 B1	4/2003	Tseng	
6,594,935 B2	7/2003	Beretta	
6,598,329 B1	7/2003	Alexander	
6,651,371 B2	11/2003	Fitzpatrick et al.	
6,684,549 B2	2/2004	Bragg	
6,874,267 B2	4/2005	Fitzpatrick et al.	
6,889,461 B2	5/2005	Vignaroli et al.	
6,925,743 B1	8/2005	DiGiovanna	
6,925,744 B2	8/2005	Kincel	
7,104,001 B1	9/2006	DiGiovanna	
7,104,002 B2	9/2006	Rotundo	
7,152,355 B2	12/2006	Fitzpatrick et al.	
7,162,822 B1	1/2007	Heayn et al.	
7,337,573 B1	3/2008	DiGiovanna	
7,386,952 B1	6/2008	Henretty	
7,398,616 B1	7/2008	Weir	
7,418,797 B1	9/2008	Crose	
7,428,794 B2	9/2008	Oz	
7,478,495 B1	1/2009	Alzamora et al.	
7,523,579 B2	4/2009	Al-Mulla	
7,536,819 B2	5/2009	Popikow	
7,640,688 B2	1/2010	Oz	
7,647,719 B2	1/2010	Fitzpatrick et al.	
7,743,544 B2	6/2010	Laney et al.	
7,762,018 B1	7/2010	Fitzpatrick et al.	
7,805,873 B2	10/2010	Bentley	
7,849,626 B2	12/2010	Fluhr	
7,930,849 B2	4/2011	Abraham et al.	
7,984,580 B1	7/2011	Giauque et al.	
8,087,193 B2	1/2012	Kincel	
8,191,299 B2	6/2012	Faifer	
8,296,984 B2	10/2012	Kincel	
8,341,868 B2	1/2013	Zusman	
8,381,427 B2	2/2013	Nill	
8,387,298 B2	3/2013	Kincel	
8,397,414 B2	3/2013	Walters	
8,429,844 B2	4/2013	Dextraze et al.	
8,453,365 B1	6/2013	Ballard	
8,464,458 B2	6/2013	Chvala	
D688,768 S *	8/2013	Fitzpatrick D22/108	
8,499,483 B2	8/2013	Quaedpeerdes et al.	
8,505,226 B2	8/2013	Vesligaj	
8,522,465 B2	9/2013	Jarboe et al.	



D692,087	S *	10/2013	Fitzpatrick	D22/108
8,555,541	B2	10/2013	Ingram		
8,601,736	B2	12/2013	Andersson		
D704,294	S *	5/2014	Jarboe	D22/108
8,720,099	B1	5/2014	Sisk		
8,763,296	B1	7/2014	Chvala		
8,776,423	B2	7/2014	Paquette		
8,782,941	B2	7/2014	Zusman		
8,789,306	B1	7/2014	Mazzoni		
8,815,138	B2	8/2014	Howe et al.		
8,844,185	B2	9/2014	Jarboe		
8,955,245	B2	2/2015	Chvala		
D724,168	S *	3/2015	Alis	D22/103
D733,223	S *	6/2015	Chu	D21/573
9,052,155	B2	6/2015	Fluhr et al.		
D736,336	S *	8/2015	Mayberry	D22/108
9,109,855	B1	8/2015	Kincel		
D738,981	S *	9/2015	Zusman	D22/108
9,121,663	B2	9/2015	Troy et al.		
D745,627	S *	12/2015	Kielsmeier	D22/108
D748,216	S *	1/2016	Zusman	D22/108
D760,326	S *	6/2016	Chu	D21/573
9,404,708	B1 *	8/2016	Chow	F41C 23/06
9,464,863	B2 *	10/2016	Mather	F41C 23/14
D779,018	S *	2/2017	Zayatz	D22/108
D785,122	S *	4/2017	Mather	D22/104
9,612,084	B2 *	4/2017	Barfoot	F41C 23/16
9,651,325	B1 *	5/2017	Gant	F41A 17/06
9,664,479	B1 *	5/2017	Robinson	F41C 23/14
D804,602	S *	12/2017	Barfoot	D22/108
D808,486	S *	1/2018	Kafka	D22/103
9,885,529	B2 *	2/2018	Lewis	F41A 3/26
2006/0254111	A1	11/2006	Giauque et al.		
2007/0101631	A1	5/2007	Bentley		
2010/0115817	A1	5/2010	Faifer		
2010/0229444	A1	9/2010	Faifer		
2010/0242334	A1	9/2010	Kincel		
2010/0307042	A1	12/2010	Jarboe et al.		
2011/0173863	A1	7/2011	Ingram		
2012/0036751	A1	2/2012	Wang et al.		
2012/0036757	A1	2/2012	LaRue		
2012/0186124	A1	7/2012	Kincel		
2013/0036645	A1	2/2013	Chvala		
2013/0097911	A1	4/2013	LaRue		
2013/0326924	A1	12/2013	Jarboe et al.		
2014/0115938	A1 *	5/2014	Jarboe	F41A 21/485 42/71.01
2014/0137456	A1	5/2014	Chiang		
2014/0190055	A1	7/2014	Warburton		
2014/0190056	A1	7/2014	Troy et al.		
2014/0196343	A1	7/2014	Wilson et al.		
2014/0245649	A1	9/2014	Fluhr et al.		
2014/0259848	A1	9/2014	Chvala		
2015/0052795	A1	2/2015	Burke et al.		
2015/0267979	A1 *	9/2015	Miller	F41A 3/00 89/191.01
2015/0330728	A1 *	11/2015	McGinty	F41A 3/84 89/198
2015/0338186	A1	11/2015	Hopkins		
2016/0202016	A1	7/2016	Mather et al.		
2017/0122684	A1 *	5/2017	Drake	F41A 11/02
2017/0205162	A1 *	7/2017	Beaty	F41A 3/66
2017/0284761	A1 *	10/2017	Lewis	F41A 3/66
2017/0299290	A1 *	10/2017	Beaty	F41A 3/60
2017/0350664	A1 *	12/2017	Karagias	F41A 3/22
2018/0058802	A1 *	3/2018	Hall	F41C 7/11
2018/0080726	A1 *	3/2018	Smith	F41A 3/72
2018/0087860	A1 *	3/2018	Sullivan	F41A 17/46

FOREIGN PATENT DOCUMENTS

DE	29621379	U1	1/1997
DE	29721931	U1	1/1998
DE	202005001766	U1	6/2006
DE	202011052542	U1	2/2012
RU	2088881	C1	8/1997

OTHER PUBLICATIONS

PRS GEN3 Precision—Adjustable Stock, Magpul.com, [online], [site visited May 22, 2018]. <URL: <https://www.magpul.com/products/prs-gen3-precision-adjustable-stock>> (Year: 2018).*

Magpul PRS Precision—Adjustable Stock—AR15/M16 Unbox Review, YouTube.com, Checkmate Armament, Published on Jul. 3, 2016, [online], [site visited May 22, 2018]. <URL: <https://www.youtube.com/watch?v=aMryaQJ90XA>> (Year: 2016).*

TacStar AR-15 AMRS—Adjustable Match Rifle Stock Black, OpticsPlanet.com, [online], [site visited May 22, 2018]. <URL: <https://www.opticsplanet.com/lyman-tacstar-ar-15-amrs-adjustable-match-rifle-stock-black-1081123.html>> (Year: 2018).*

Han, Jonathan J., “Office Action Re U.S. Appl. No. 29/551,313”, Mar. 28, 2017, p. 8, Published in: US.

Han, Jonathan J. “Office Action Re U.S. Appl. No. 29/551,313”, Dec. 12, 2016, p. 11, Published in: US.

Otero, Vanessa, “Response to Quayle Action Re U.S. Appl. No. 29/551,313”, Jul. 28, 2017, p. 4, Published in: US.

Otero, Vanessa, “Response to Office Action Re U.S. Appl. No. 29/551,313”, p. 8, Published in: US.

Otero, Vanessa, “Response to Office Action Re U.S. Appl. No. 29/551,313”, May 30, 2017, p. 7, Published in: US.

Han, Jonathan J., “Quayle Action Re U.S. Appl. No. 29/551,313”, filed Jun. 12, 2017, p. 8 Published in: US.

Modular Driven Technologies Corp., “Adjustable Recoil Pad Assembly for PRS”, Website located at <http://mdttac.com/adjustable-prs.html>, Known to exist as early as Dec. 17, 2015, p. 3.

Modular Driven Technologies Corp., “Adjustable Recoil Pad Assembly for UBR”, Website located at <http://mdttac.com/adjustable-ubr.html>, Known to exist as early as Dec. 17, 2015, p. 2.

BGALLAHER77, “AR-15 A2 Stock Install”, Website located at <https://www.youtube.com/watch?v=FyTfkd157e8>, Jan. 4, 2013, p. 2.

Brownells, Inc., “AR-15/M16 Mil-Spec Buffer Tube”, Website located at <http://www.brownells.com/rifle-parts/receiver-parts/buffer-tube-parts/buffer-tubes/ar-15-m16-mil-spec-buffer-tube-sku080001046-5706>, Known to exist as early as Feb. 2, 2015, p. 2.

Brownells, Inc., “AR15/M16 A1 Rifle Buffer Tube Assembly”, Website located at <http://www.brownells.com/rifle-parts/receiver-parts/buffer-tube-parts/buffer-tubes/ar-15-m16-stock-completion-kits-prod27315.aspx>, Known to exist as early as Feb. 2, 2015, p. 2.

Brownells, Inc., “Changing Standard Butt Stock to Collapsible”, Website located at <http://www.brownells.com.aspx/lid=10364/GunTechdetail/Changing-Standard-Butt-Stock-To-Collapsible>, Known to exist as early as Feb. 2, 2015, p. 4.

Lewis Machine & Tool Company, Inc., “DMR556”, Website located at <http://www.lmtstore.com/dmr556.html>, Known to exist as early as Dec. 17, 2015, p. 1.

Fulton Armory, “Fulton Armory M14 EBR-RI”, Website located at <http://www.fulton-armory.com/fultonarmoryusrifecal762mmm14-1-1-1-1-1-2.aspx>, Known to exist as early as Dec. 17, 2015, p. 2.

Fulton Armory, “Fulton Armory M25 Peerless Sniper Rifle”, Website located at <http://www.fulton-armory.com/fultonarmoryusrifecal762mmm14-1-1-1-1-2-2-2.aspx>, Known to exist as early as Dec. 17, 2015, p. 2.

Fulton Armory, “Fulton Armory M39 EMR”, Website located at <http://www.fulton-armory.com/fultonarmoryusrifecal762mmm14-1-1-1-1-1-2-1.aspx>, Known to exist as early as Dec. 17, 2015, p. 2.

Fulton Armory, “Fulton Armory MK 14 Mod 0 EBR”, Website located at <http://www.fulton-armory.com/fultonarmoryusrifecal762mmm14-1-1-1-1-1-1-1.aspx>, Known to exist as early as Dec. 17, 2015, p. 2.

Fulton Armory, “Fulton Armory MK 14 Mod 2”, Website located at <http://www.fulton-armory.com/fultonarmoryusrifecal762mmm14-1-1-1-1-1-3.aspx>, Known to exist as early as Dec. 17, 2015, p. 2.

Fulton Armory, “Stock, Sage Tactical Chassis, Complete M14 EBR”, Website located at <http://www.fulton-armory.com/stocksagetacticalcompletenoclipguidemount.aspx>, Known to exist as early as Dec. 17, 2015, p. 2.

Graco Corporation, “Adjustable Pad Plate”, Website located at <http://graco-corp.com/t/adjustable-pad-plate>, Known to exist as early as Dec. 17, 2015, p. 2.

Wikipedia, “Heckler & Koch PSG1”, Website located at https://en.wikipedia.org/wiki/Heckler_%26_Koch_PSG1, Known to exist as early as Dec. 17, 2015, p. 7.

JP Enterprises, “JP Adjustable Buttplate for Magpul PRS”, Website located at http://jprifles.com/1.1_feature.php, Known to exist as early as Dec. 17, 2015, p. 1.

DUSTYATTICX, “Magpul Fixed Carbine Stock Quickview”, “Website located at <https://www.youtube.com/watch?v=inIH090KdpA>”, Nov. 8, 2013, p. 2.

LUTH-AR, “The MBA/MBA-1 MOdular Buttstock Assembly”, Website located at <http://www.luth-ar.com/product/the-mba-modular-buttstock-assembly/>, Known to exist as early as Dec. 17, 2015, p. 3.

Magpul Industries, Corp., “MOE Fixed Carbine Stock”, Website located at <https://www.magpul.com/products/moe-fixed-carbine-stock-commercial-spec>, Known to exist as early as Feb. 2, 2015, p. 5.

Magpul Industries, Corp., “PRS Precision-Adjustable Stock—AR15/M16”, Website located at <https://www.magpul.com/products/prs-precision-adjustable-stock-ar15-m16>, Known to exist as early as Dec. 17, 2015, p. 5.

Rock River Arms, Inc., “RRA Operator A2 Stock”, Website located at http://www.rockriverarms.com/index.cfm?fuseaction=category.display&category_id=540, Known to exist as early as Dec. 17, 2015, p. 2.

Star Gun Supply, “Sierra Precision AR 15 Adjustable Buttplate”, “Website located at <http://www.stargunsupply.com/store/sierra-precision-ar-15-adjustable-buttplate-usa-canada.html>”, Known to exist as early as Apr. 15, 2016, p. 6.

* cited by examiner

Primary Examiner — T Chase Nelson

Assistant Examiner — Jonathan J. Han

(74) *Attorney, Agent, or Firm* — Neugeboren O’Dowd PC

(57)

CLAIM

The ornamental design for a firearm stock, as shown and described.

DESCRIPTION

FIG. 1 is a left, top, front perspective view of a firearm stock showing our new design;

FIG. 2 is another left, top, front perspective view of the firearm stock of FIG. 1, but showing different environmental structure;

FIG. 3 is a left, top, front perspective view of the firearm stock of FIG. 1 with the cheek rest extended and the rear pad repositioned;

FIG. 4 is a left, top, front perspective view of the firearm stock of FIG. 1 attached to a rifle;

FIG. 5 is a left side elevation view of the firearm stock of FIG. 1;

FIG. 6 is a right side elevation view of the firearm stock of FIG. 1;

FIG. 7 is a rear elevation view of the firearm stock of FIG. 1;

FIG. 8 is a front elevation view of the firearm stock of FIG. 1;

FIG. 9 is a top view of the firearm stock of FIG. 1; and,

FIG. 10 is a bottom view of the firearm stock of FIG. 1.

The shade lines in the Figures show contour and not surface ornamentation.

The dashed broken lines in all figures are used to illustrate unclaimed features and also unclaimed environment in FIG. 4 and form no part of the claimed design. Broken lines are also used for the purpose of showing a boundary to areas marked with surface shading and forms no part of the claimed design.

1 Claim, 8 Drawing Sheets

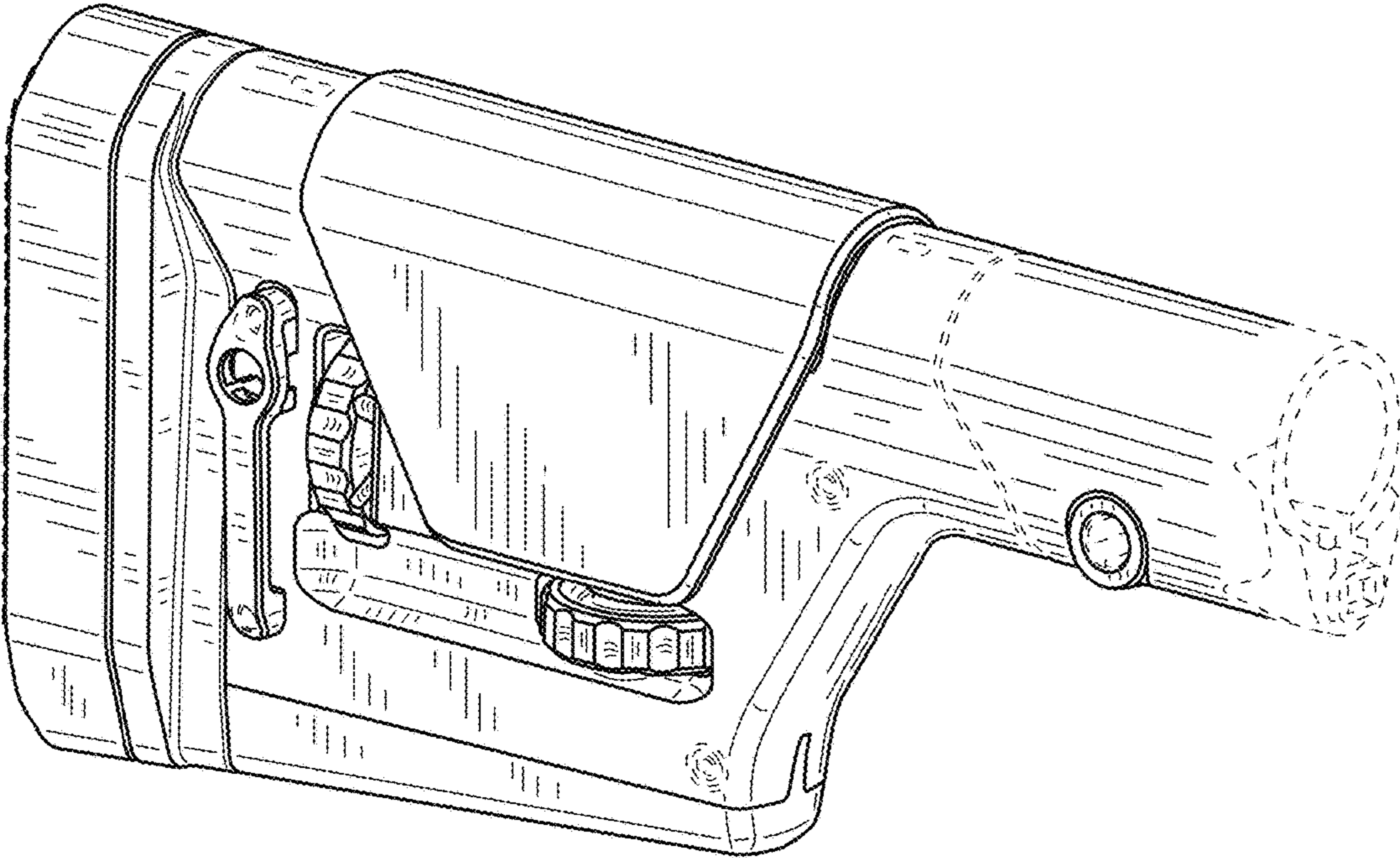


FIG.1

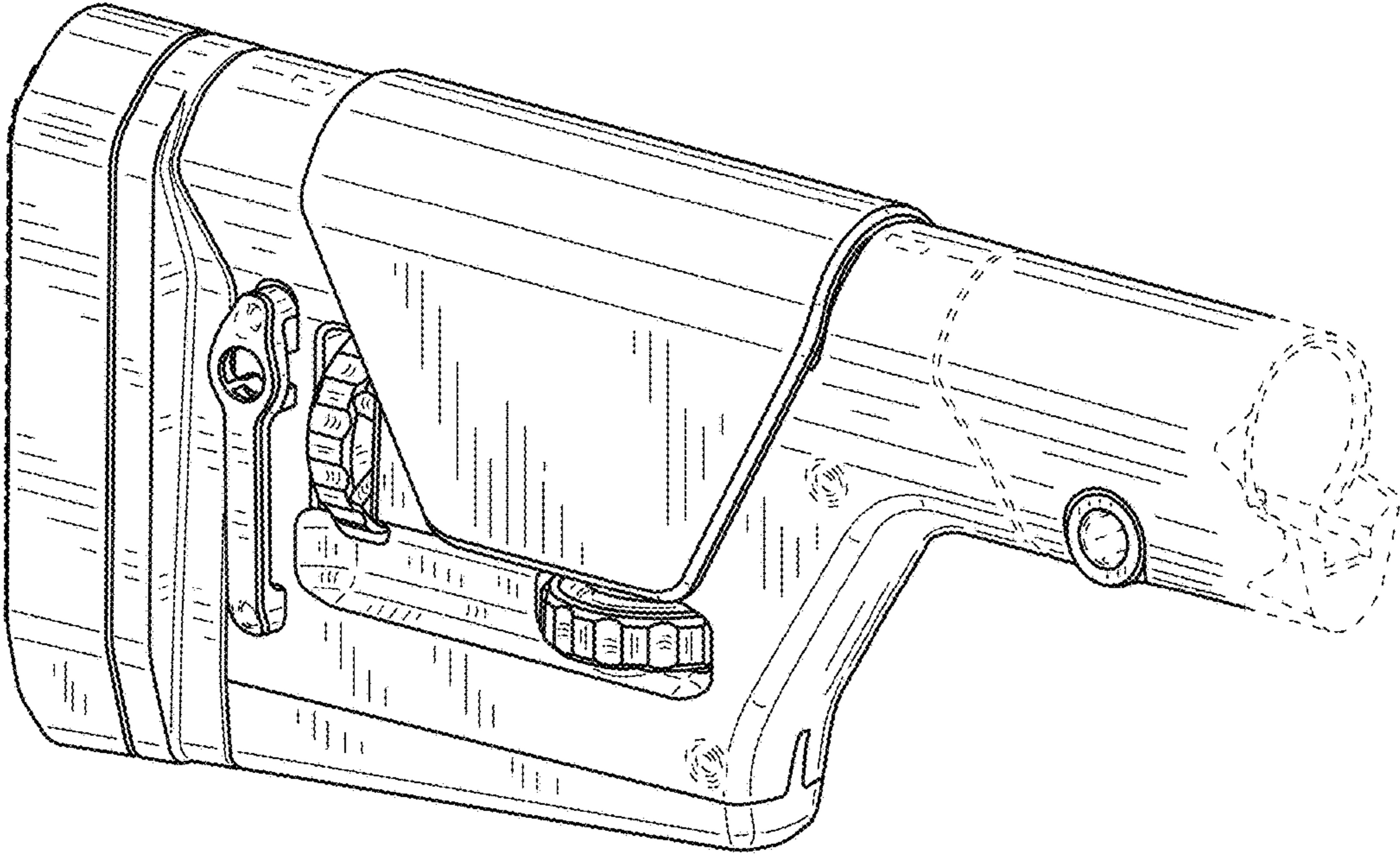


FIG.2

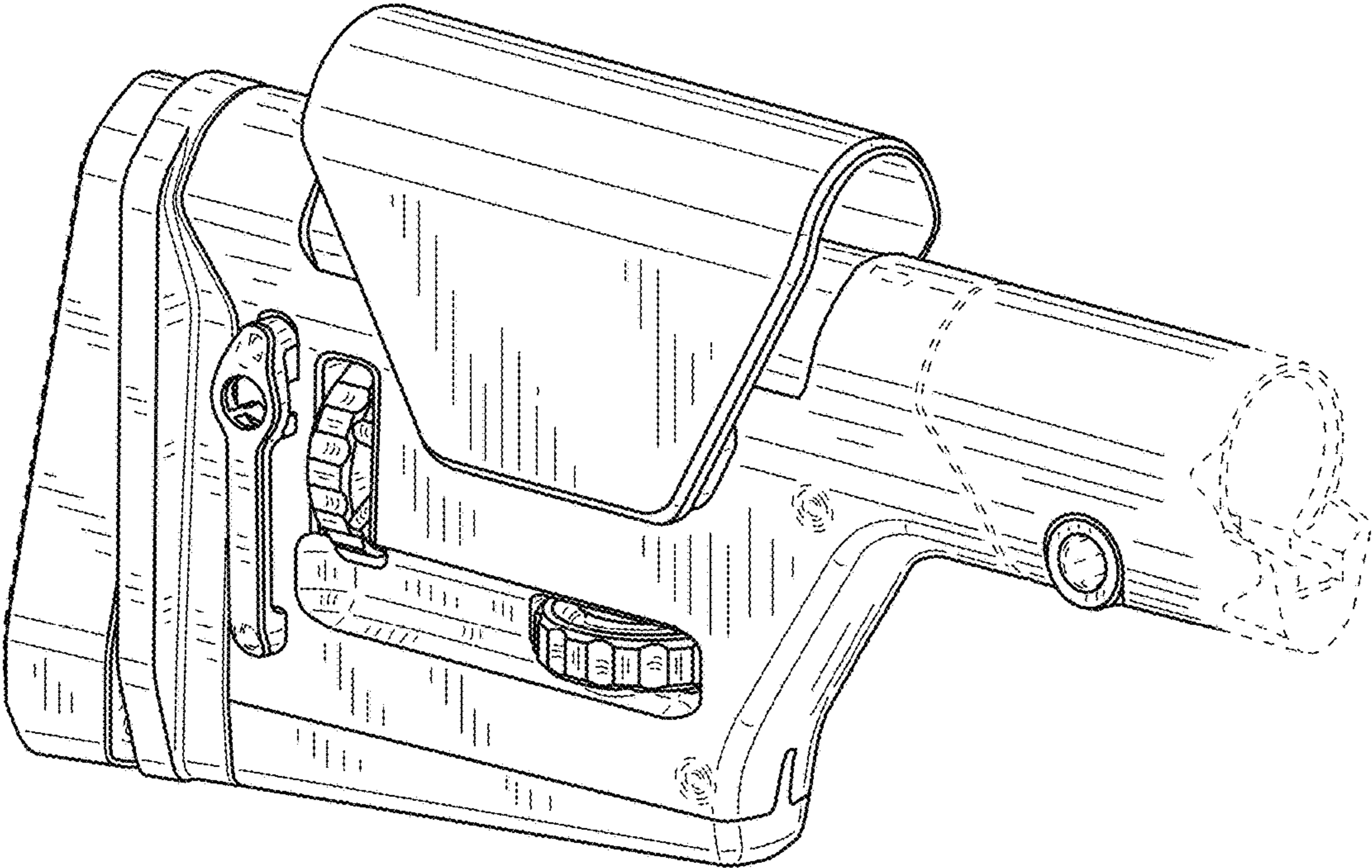


FIG.3

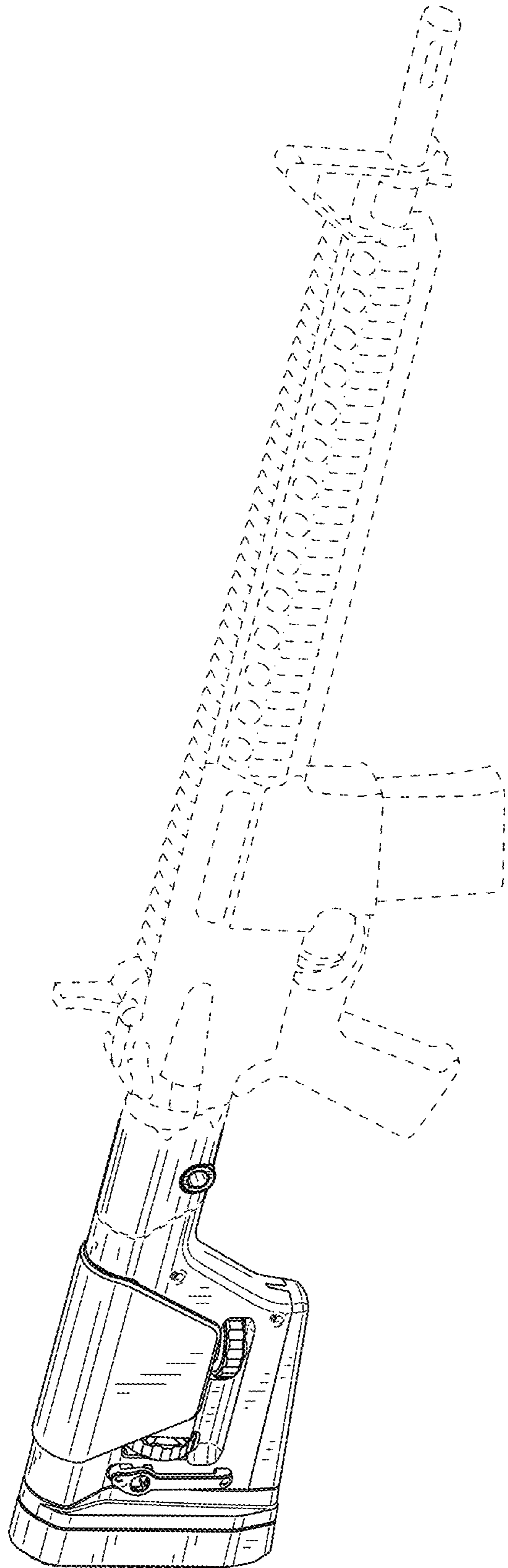


FIG.4

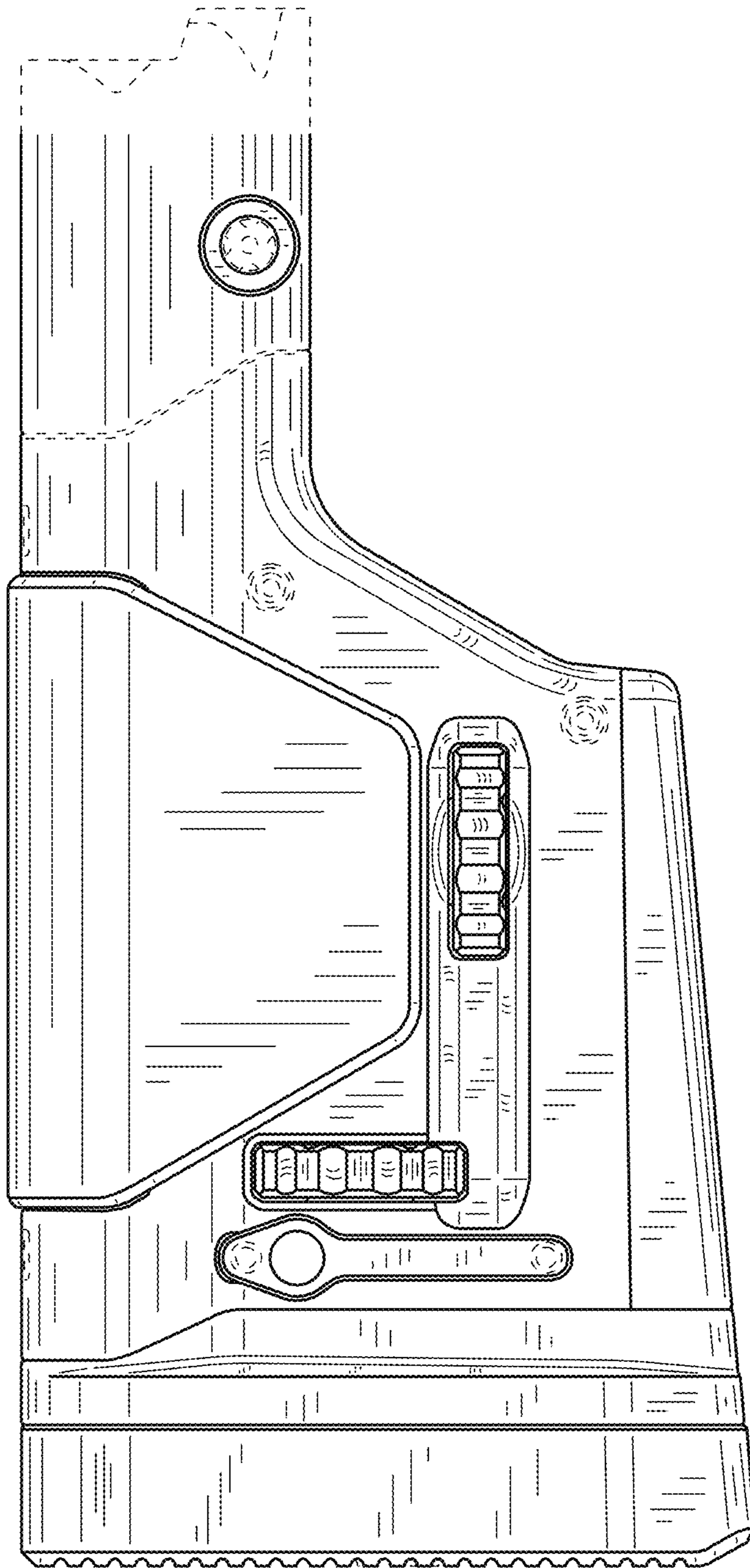


FIG. 5

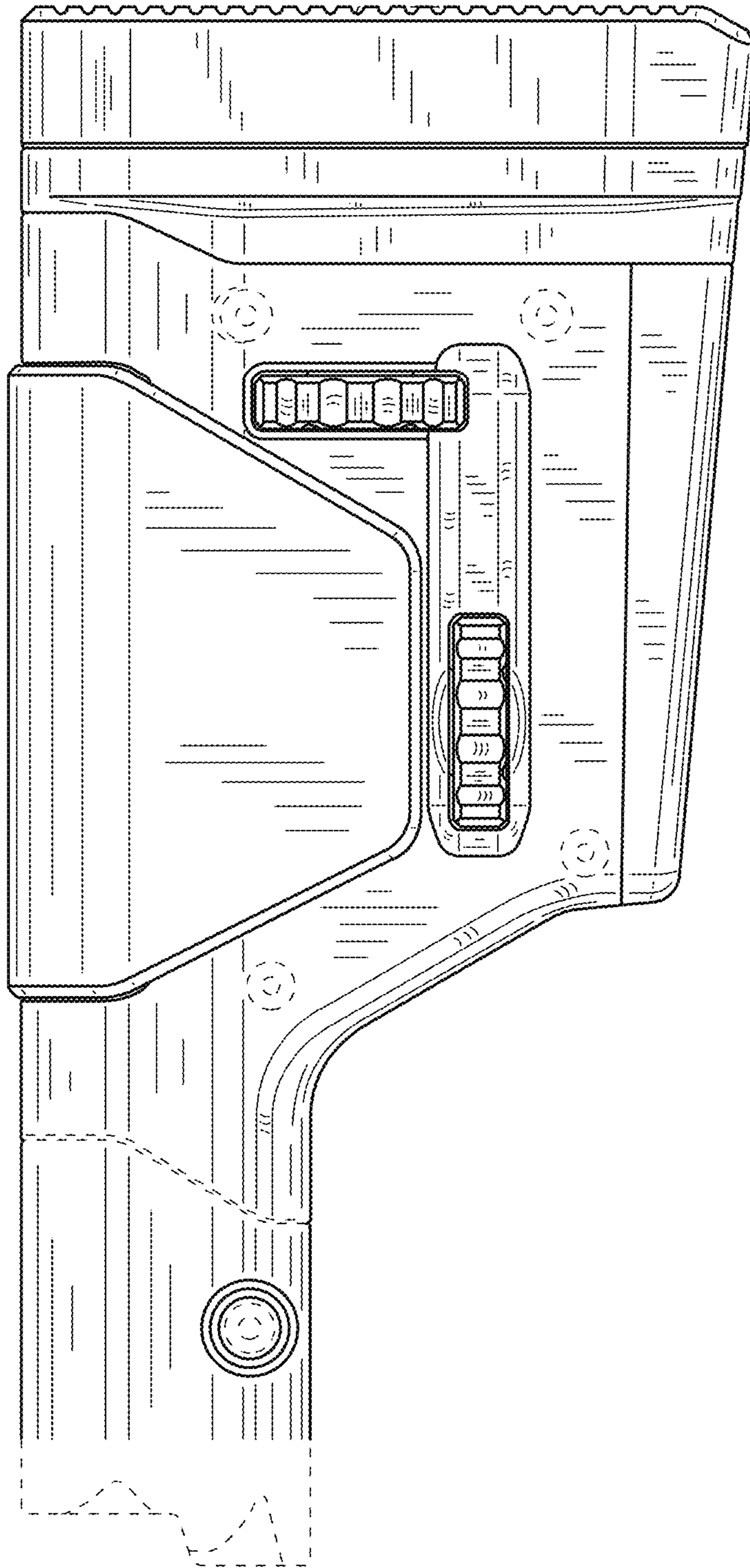


FIG.6

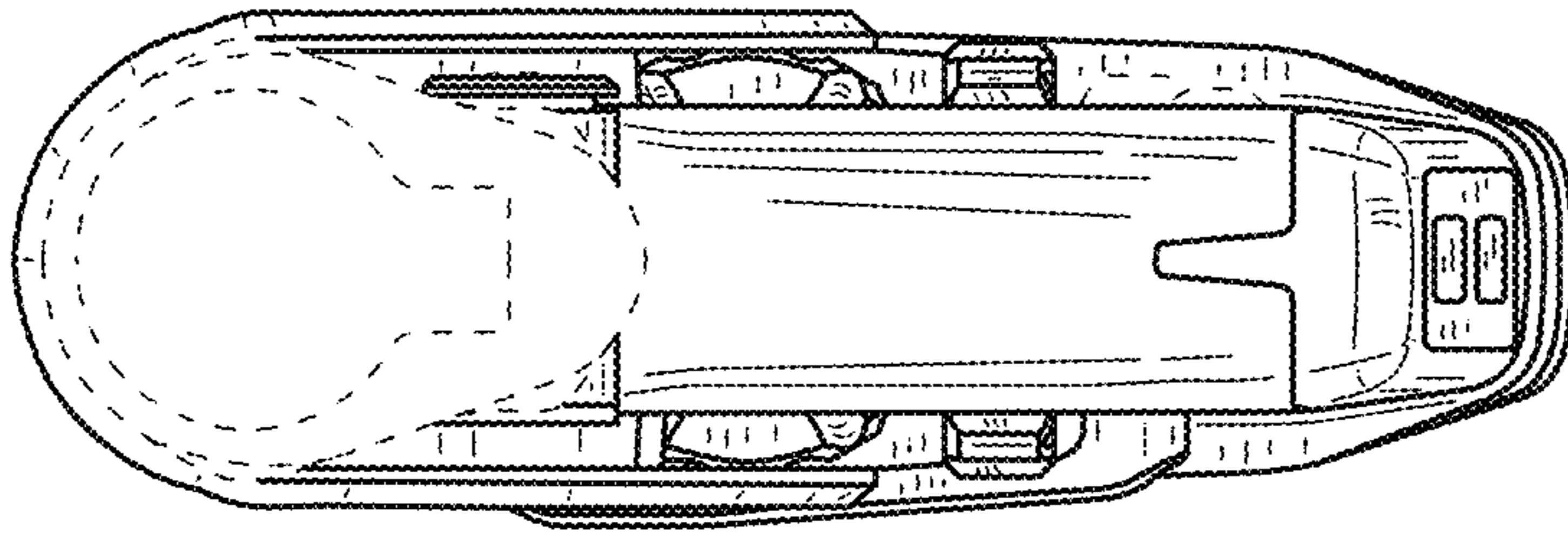


FIG. 7

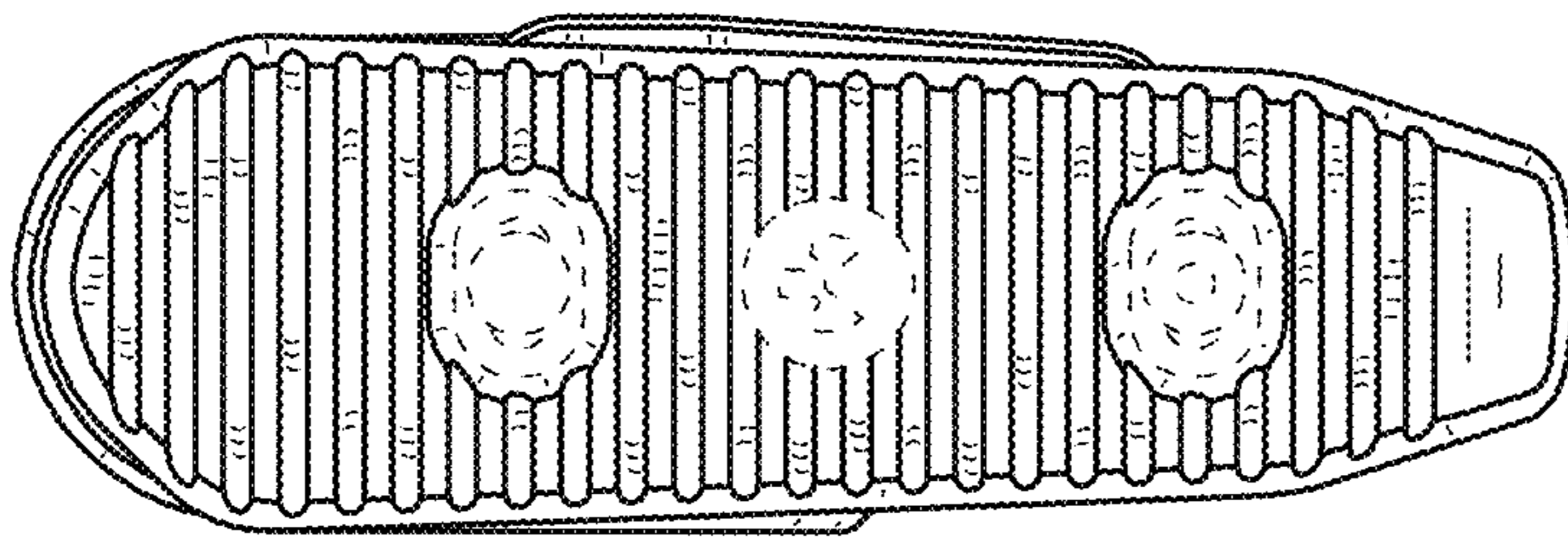


FIG. 8

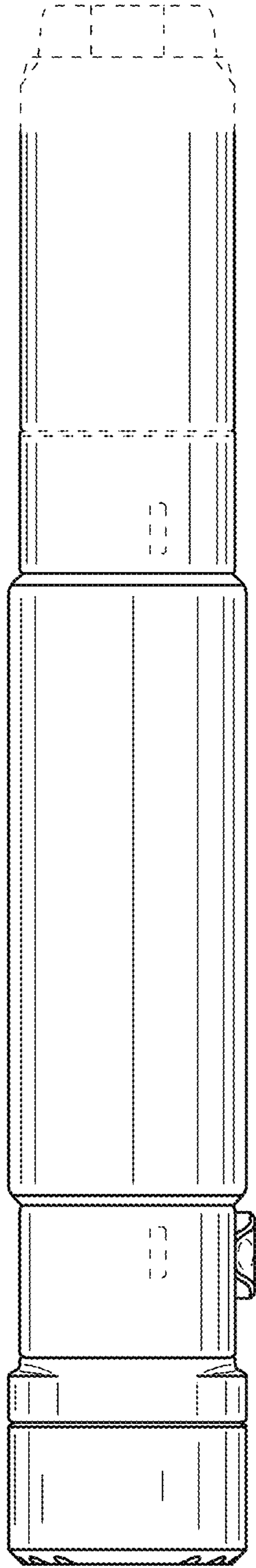


FIG. 9

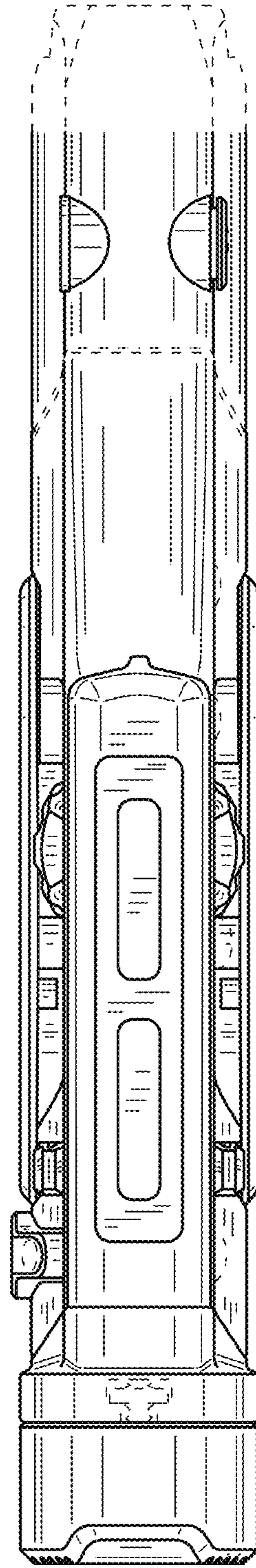


FIG. 10