



US00D831145S

(12) **United States Design Patent** (10) **Patent No.:** **US D831,145 S**  
**Kuo** (45) **Date of Patent:** **\*\* Oct. 16, 2018**

(54) **CLIP FOR SECURING A GOLF BALL MARKER**

(71) Applicant: **Stanley Kuo**, Taipei (TW)

(72) Inventor: **Stanley Kuo**, Taipei (TW)

(\*\*) Term: **15 Years**

(21) Appl. No.: **29/594,384**

(22) Filed: **Feb. 17, 2017**

(51) **LOC (11) Cl.** ..... **21-02**

(52) **U.S. Cl.**  
USPC ..... **D21/796; D21/759**

(58) **Field of Classification Search**  
USPC ..... D21/789, 793, 794, 756-758, 796, 759  
CPC ..... A63B 57/353; A63B 57/207; A63B 57/00;  
A63B 57/30; A63B 57/35; A63B 57/50;  
A63B 60/06-60/34; A63B 60/00; A63B  
60/46; A63B 59/20; A63B 59/40; A63B  
59/60-59/80; A63B 49/00-49/14; A63B  
53/00-53/14

See application file for complete search history.

(56) **References Cited**

**U.S. PATENT DOCUMENTS**

- 4,239,216 A \* 12/1980 Bauer ..... A63B 57/00  
224/918
- D266,445 S \* 10/1982 Yokotaki ..... D21/718
- D530,767 S \* 10/2006 Davis ..... D21/794

- 7,828,670 B1 \* 11/2010 Schroader ..... A63B 57/353  
473/285
- D652,101 S \* 1/2012 Ward ..... D21/794
- D760,853 S \* 7/2016 Wallin ..... D21/759
- D763,378 S \* 8/2016 Wallin ..... D21/759
- 2010/0203979 A1 \* 8/2010 Hyman ..... A63B 53/14  
473/285

\* cited by examiner

*Primary Examiner* — Mitchell I. Siegel  
(74) *Attorney, Agent, or Firm* — WPAT, PC

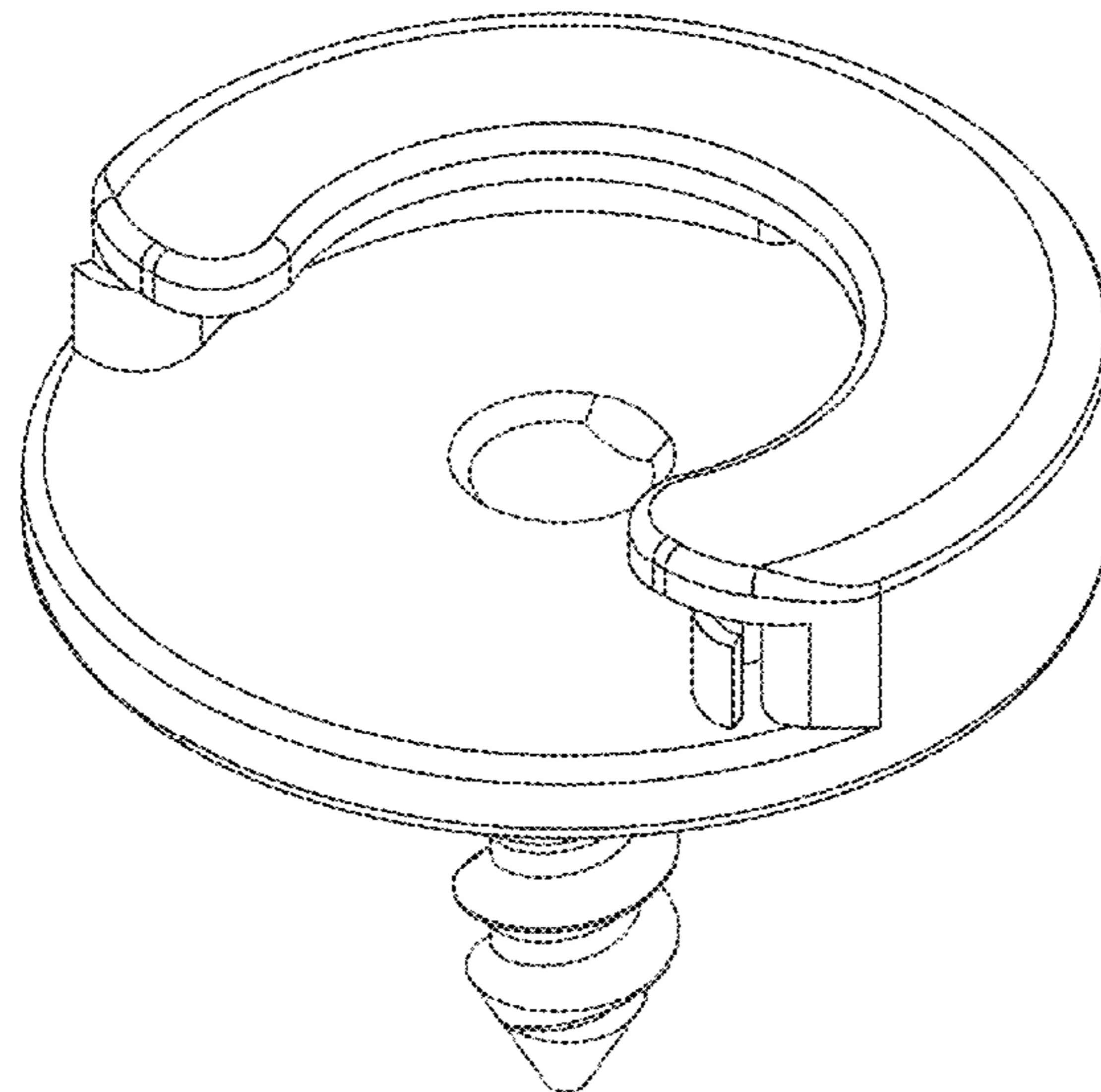
(57) **CLAIM**

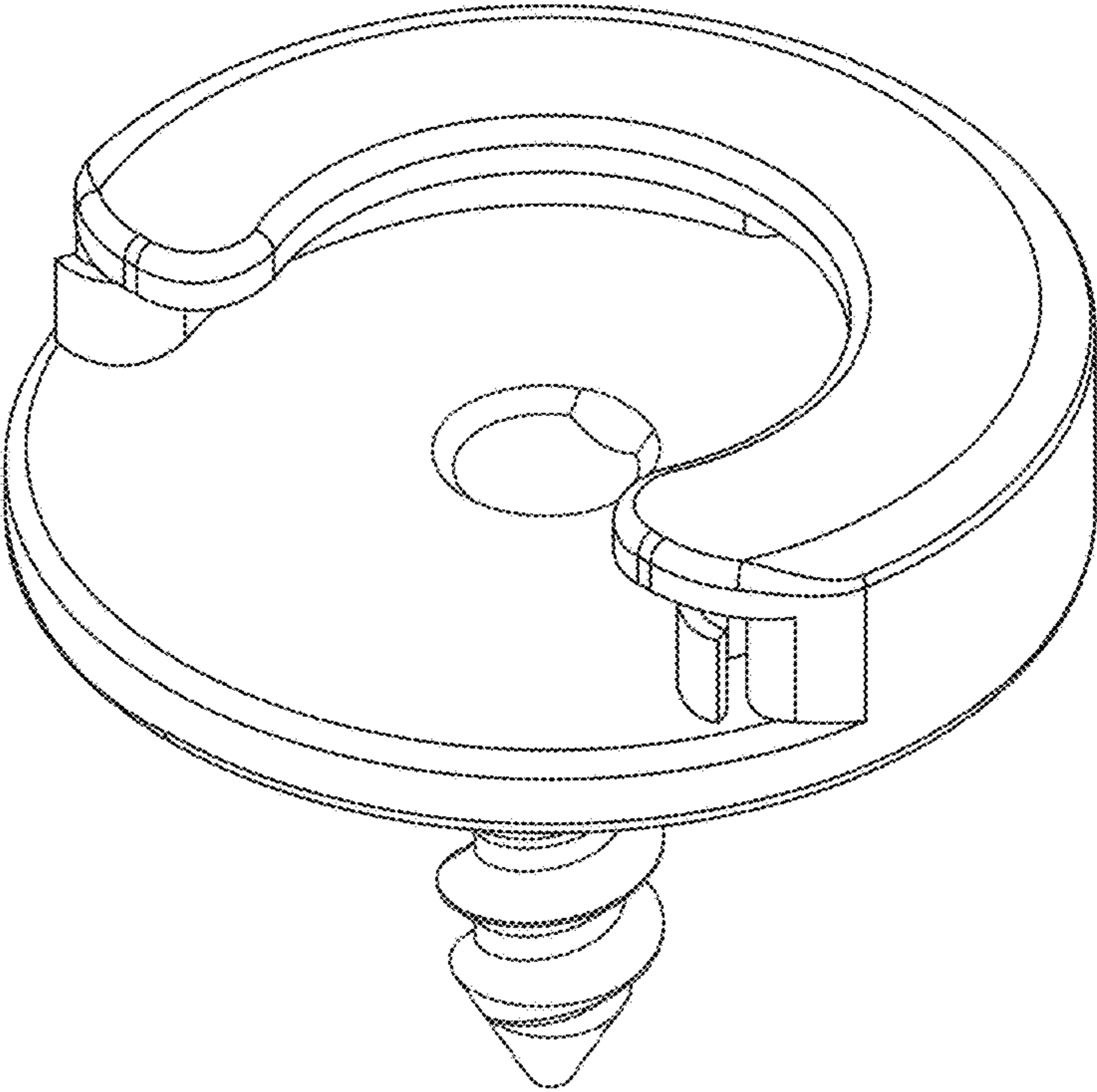
The ornamental design for a clip for securing a golf ball marker, as shown and described.

**DESCRIPTION**

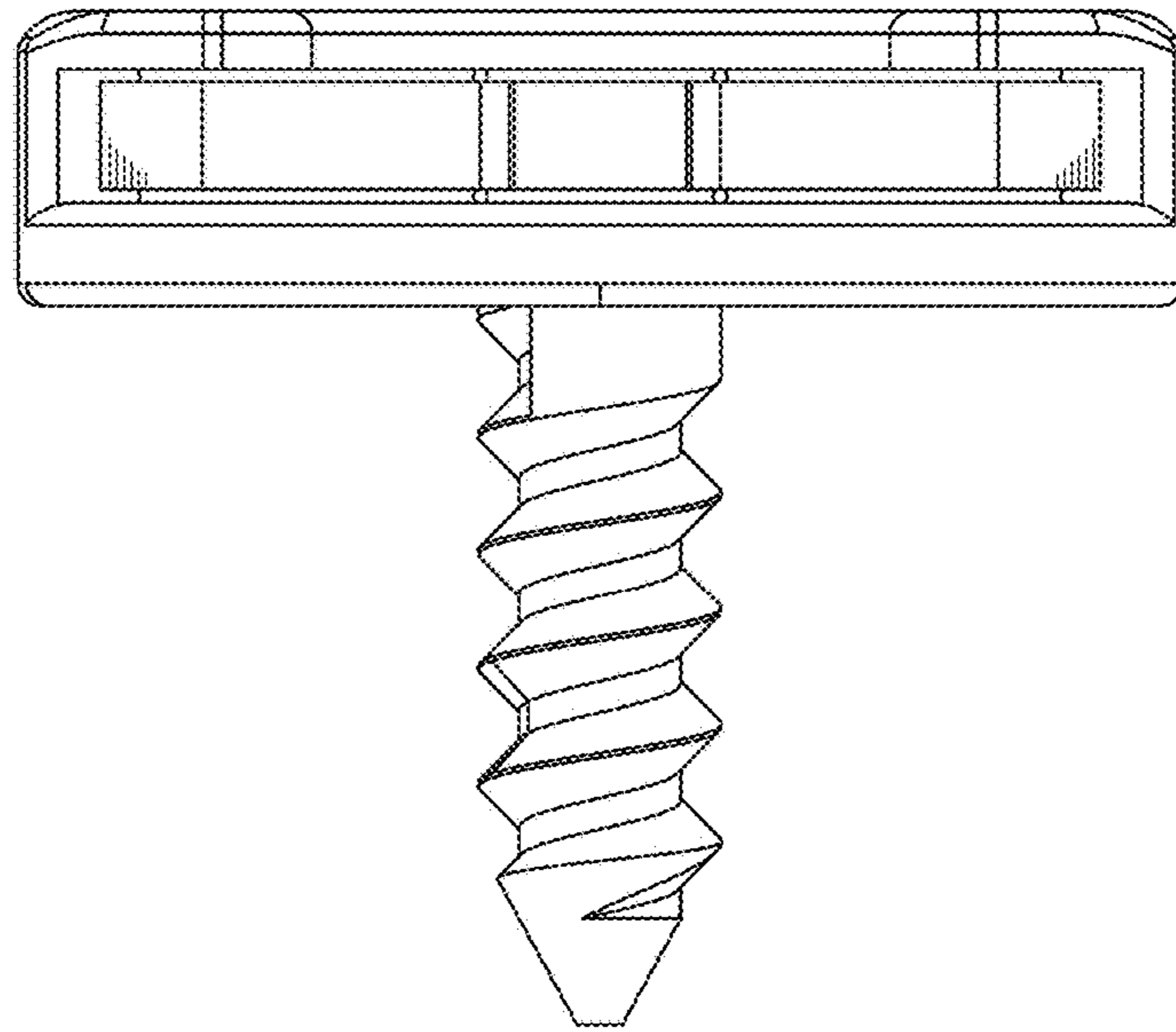
FIG. 1 is a perspective view of a clip for securing a golf ball marker, showing this new design;  
FIG. 2 is a front view thereof;  
FIG. 3 is a rear view thereof;  
FIG. 4 is a left side view thereof;  
FIG. 5 is a right side view thereof;  
FIG. 6 is a top plane view thereof;  
FIG. 7 is a bottom plane view thereof; and,  
FIG. 8 is a perspective view of FIG. 1; shown with an unclaimed ball marker.  
The broken line showing of a ball marker is included for the purpose of illustrating and forms no part of the claimed design.

**1 Claim, 8 Drawing Sheets**

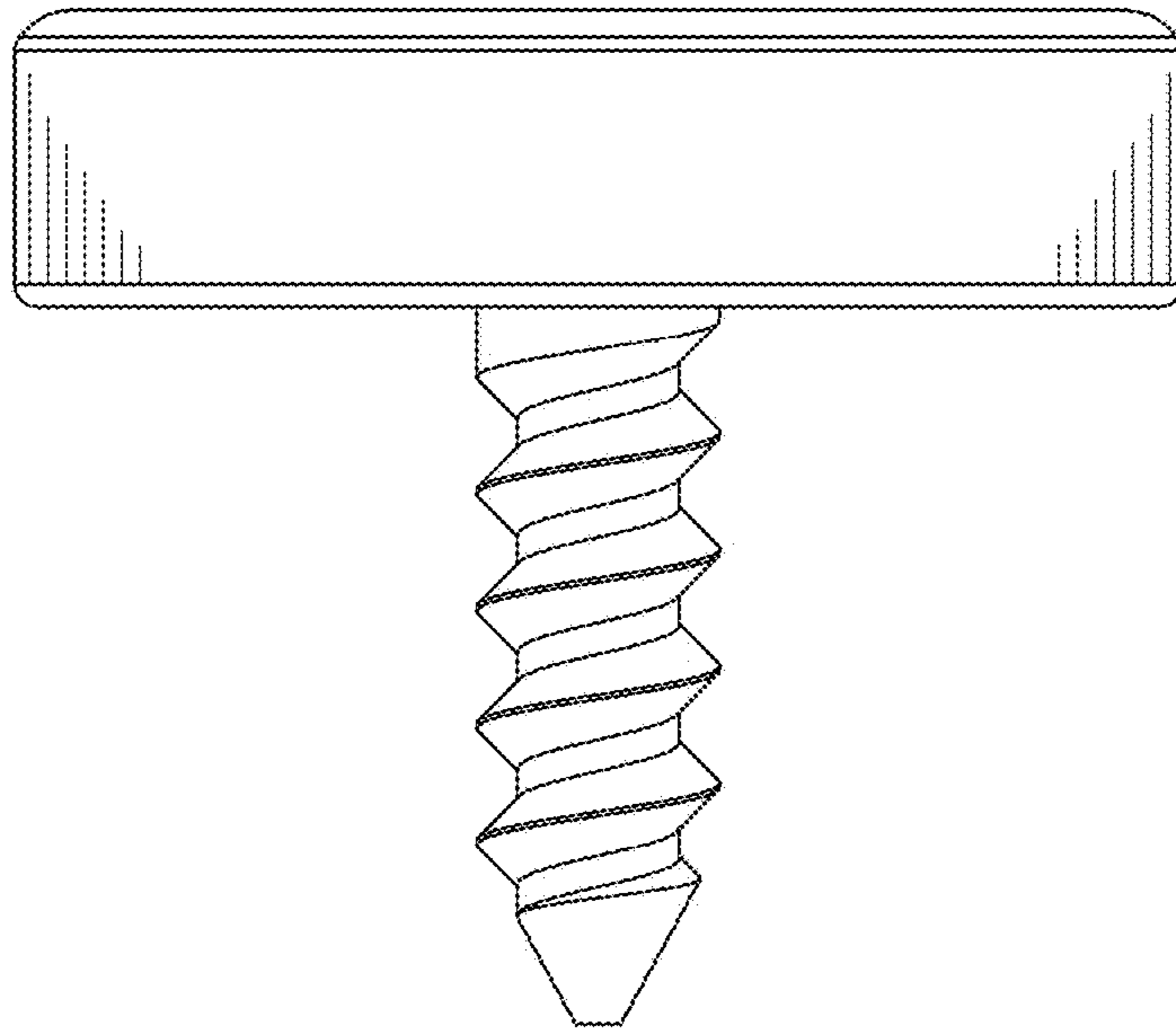




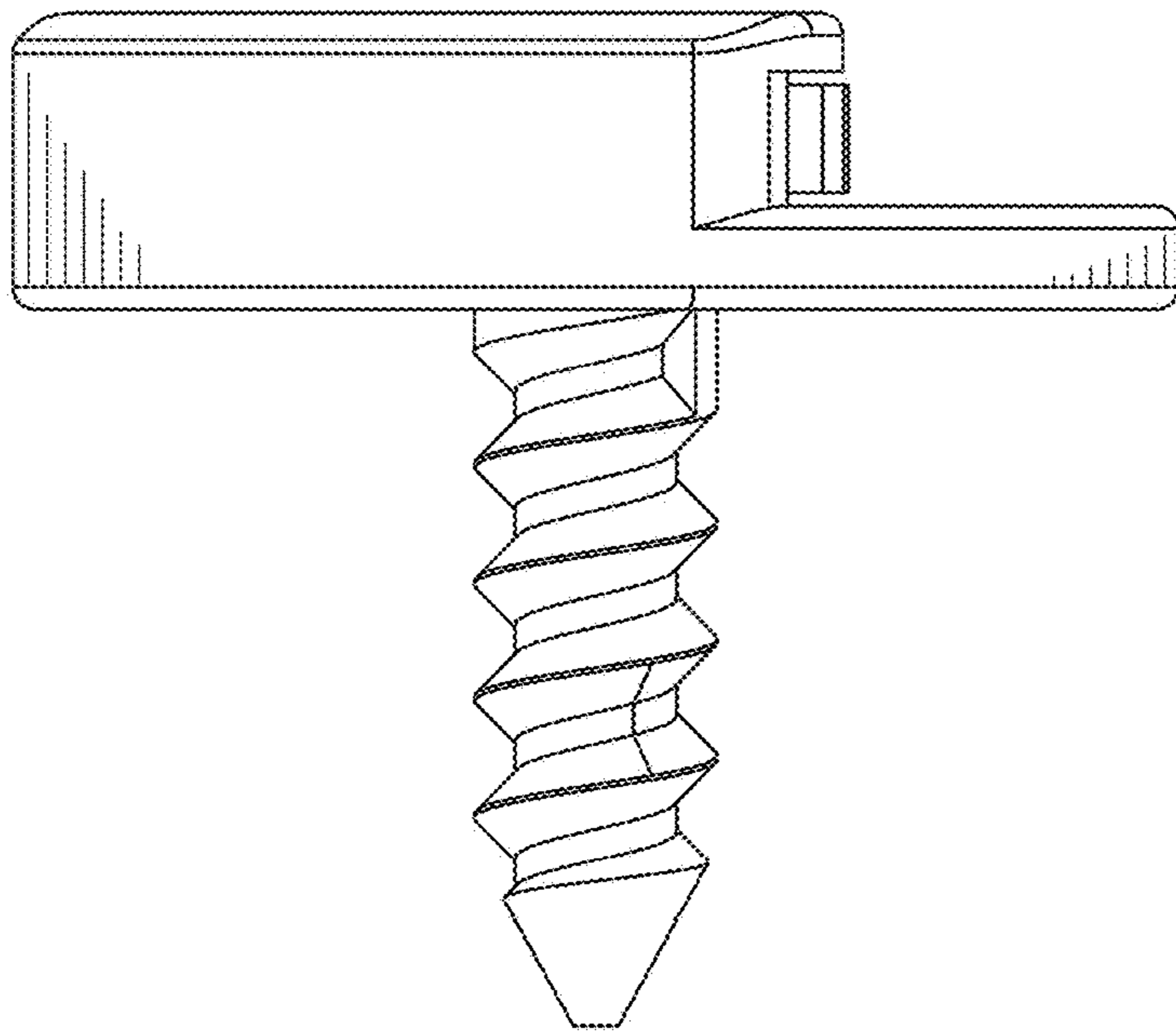
**FIG. 1**



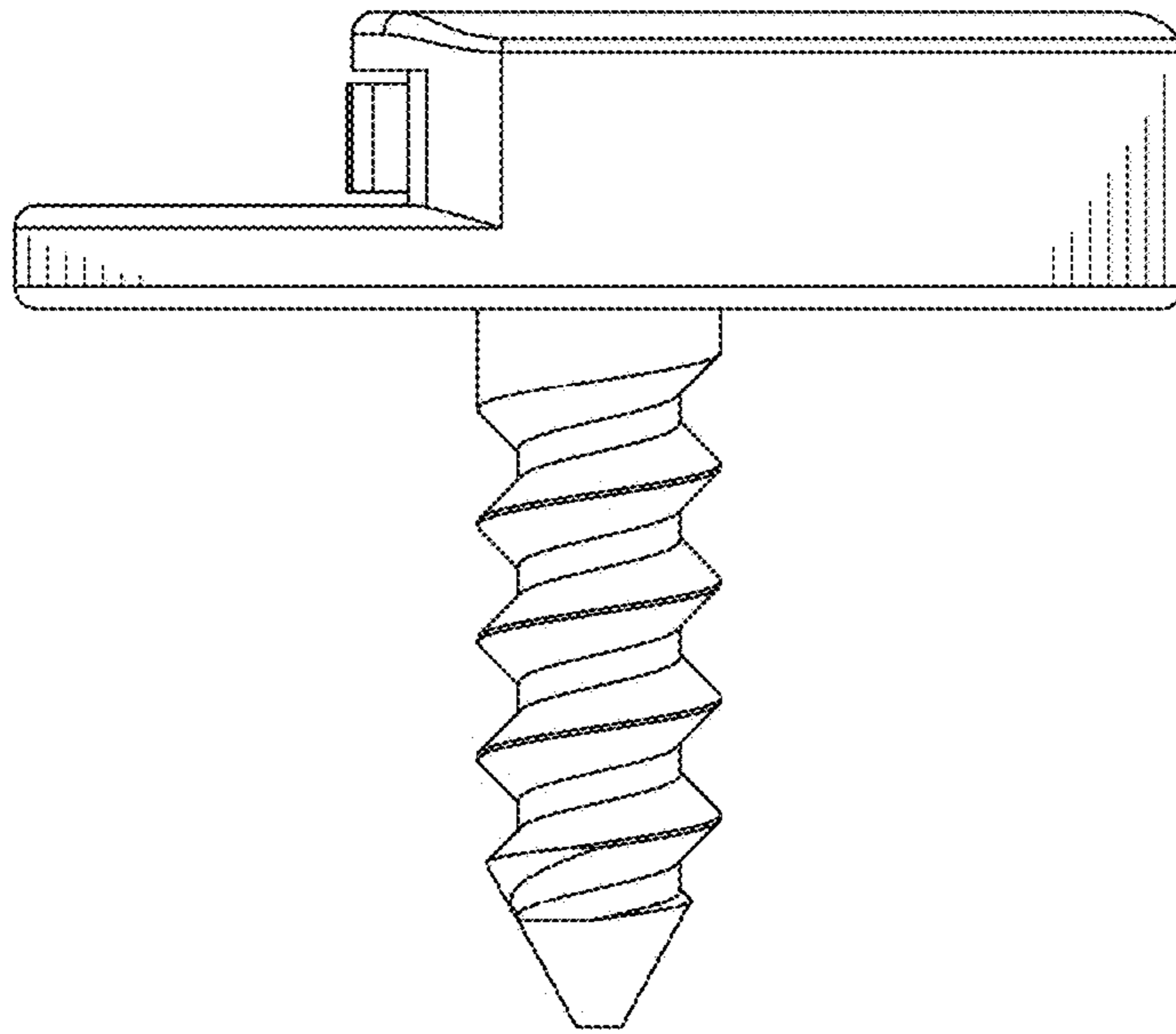
**FIG. 2**



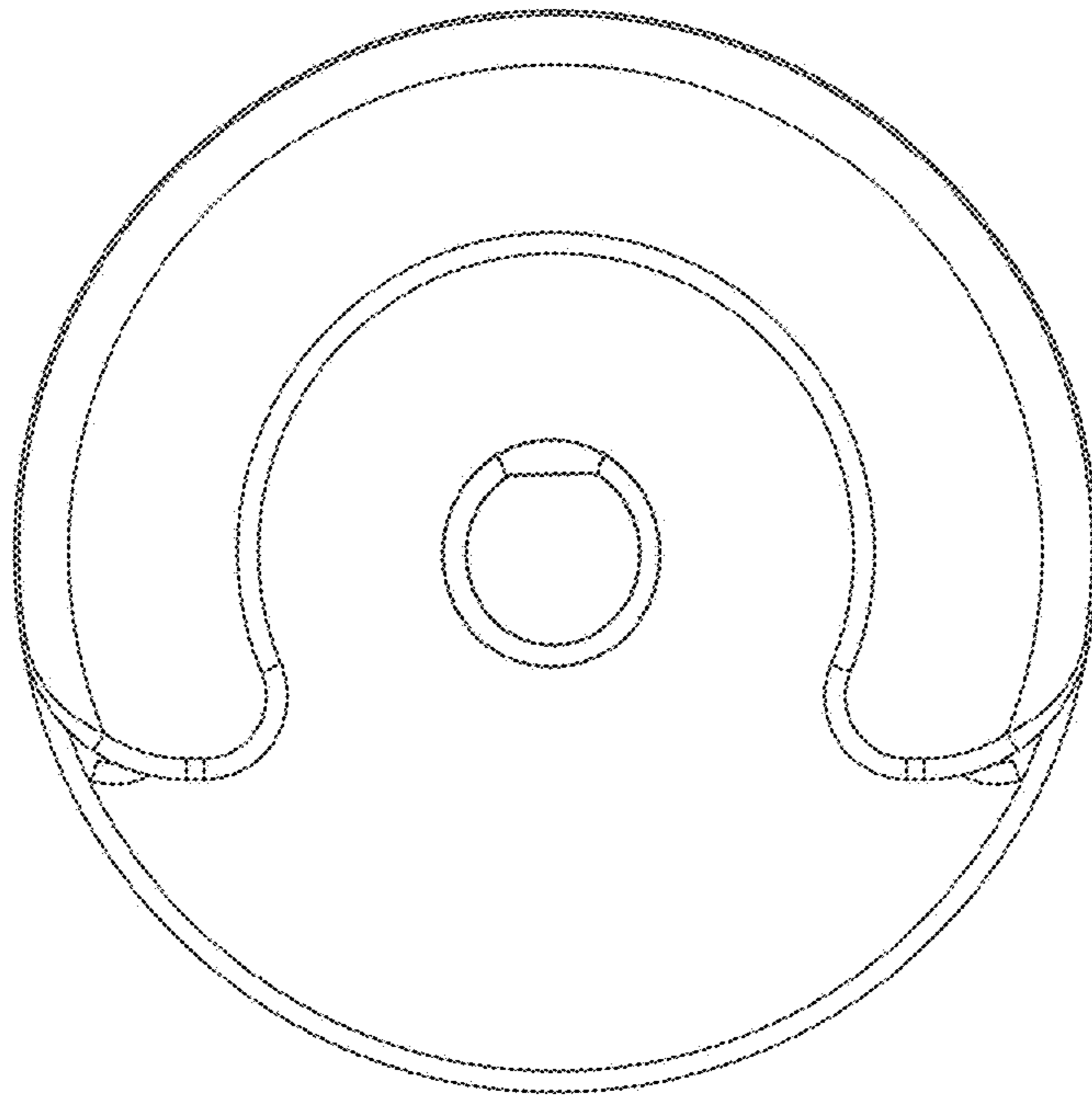
**FIG. 3**



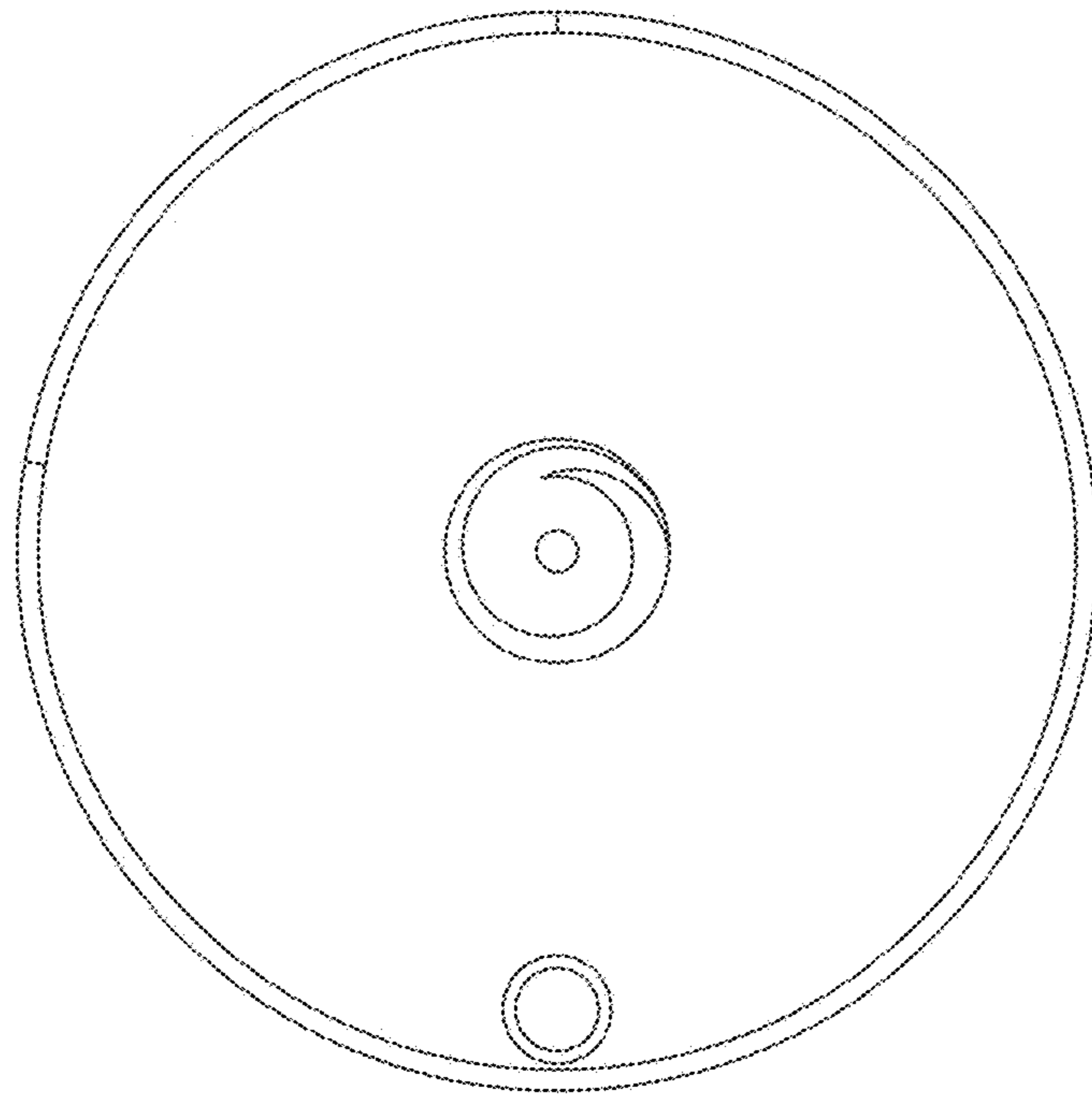
**FIG. 4**



**FIG. 5**

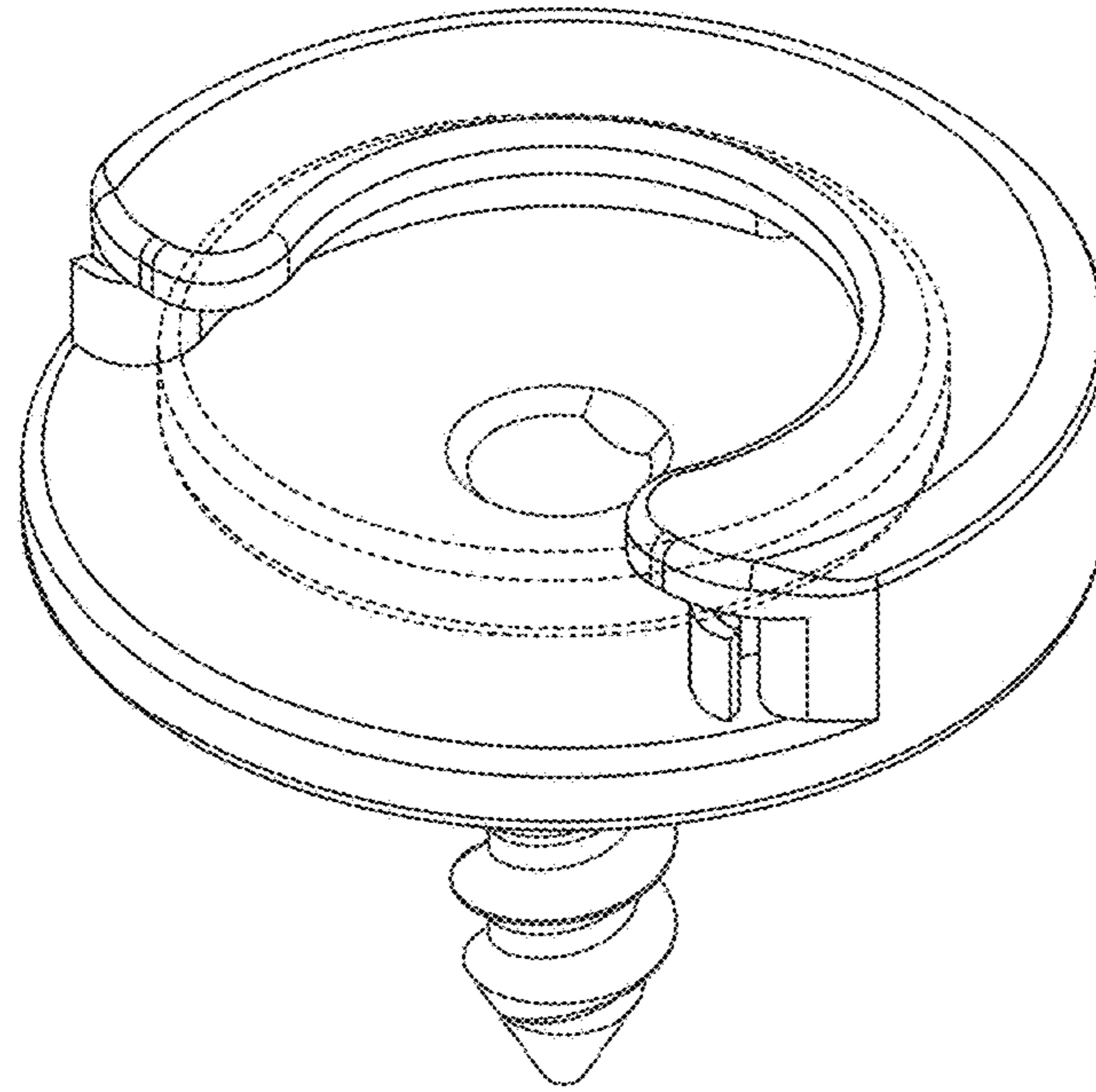


**FIG. 6**



**FIG. 7**





**FIG. 8**