



US00D831144S

(12) **United States Design Patent**
Schuster

(10) **Patent No.:** **US D831,144 S**

(45) **Date of Patent:** **** Oct. 16, 2018**

(54) **FIN PLUG**

(71) Applicant: **Jason Schuster**, Venice, CA (US)

(72) Inventor: **Jason Schuster**, Venice, CA (US)

(**) Term: **15 Years**

(21) Appl. No.: **29/560,086**

(22) Filed: **Apr. 1, 2016**

(51) **LOC (11) Cl.** **21-02**

(52) **U.S. Cl.**
USPC **D21/778**

(58) **Field of Classification Search**
USPC D21/684-685, 760-761, 765-766,
D21/768-777, 778; D12/5, 6, 316
CPC B63B 35/79; B63B 35/73; B63B 1/00
See application file for complete search history.

(56) **References Cited**

U.S. PATENT DOCUMENTS

6,793,548	B2 *	9/2004	Jolly	B63B 35/793 441/79
7,025,645	B1 *	4/2006	Hsieh	B63B 35/793 441/79
7,285,031	B2 *	10/2007	Mair	B63B 35/793 114/140
D621,464	S *	8/2010	Durante	D21/771

D635,630	S *	4/2011	Durante	D21/771
D663,000	S *	7/2012	Trotter	D21/771
D746,930	S *	1/2016	Durante	D21/778

* cited by examiner

Primary Examiner — Zenia I Bennett
(74) *Attorney, Agent, or Firm* — Cisló & Thomas, LLP;
Kelly W. Cunningham

(57) **CLAIM**

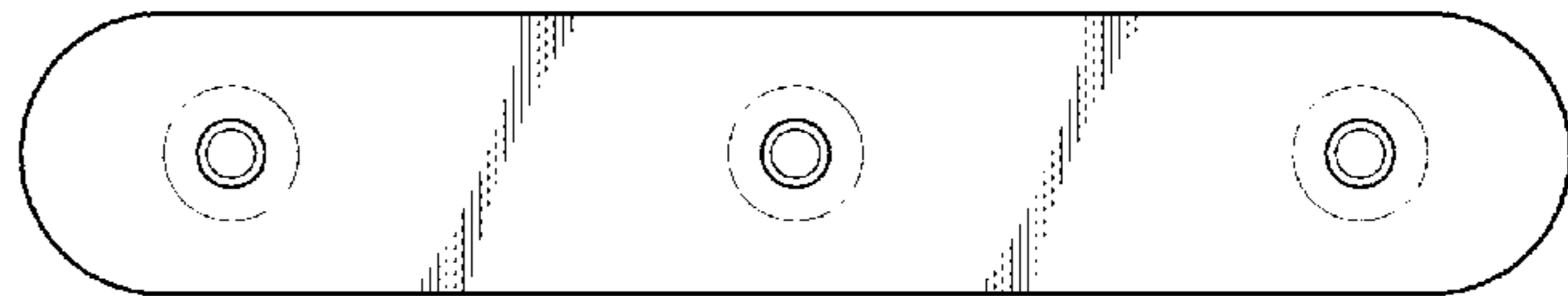
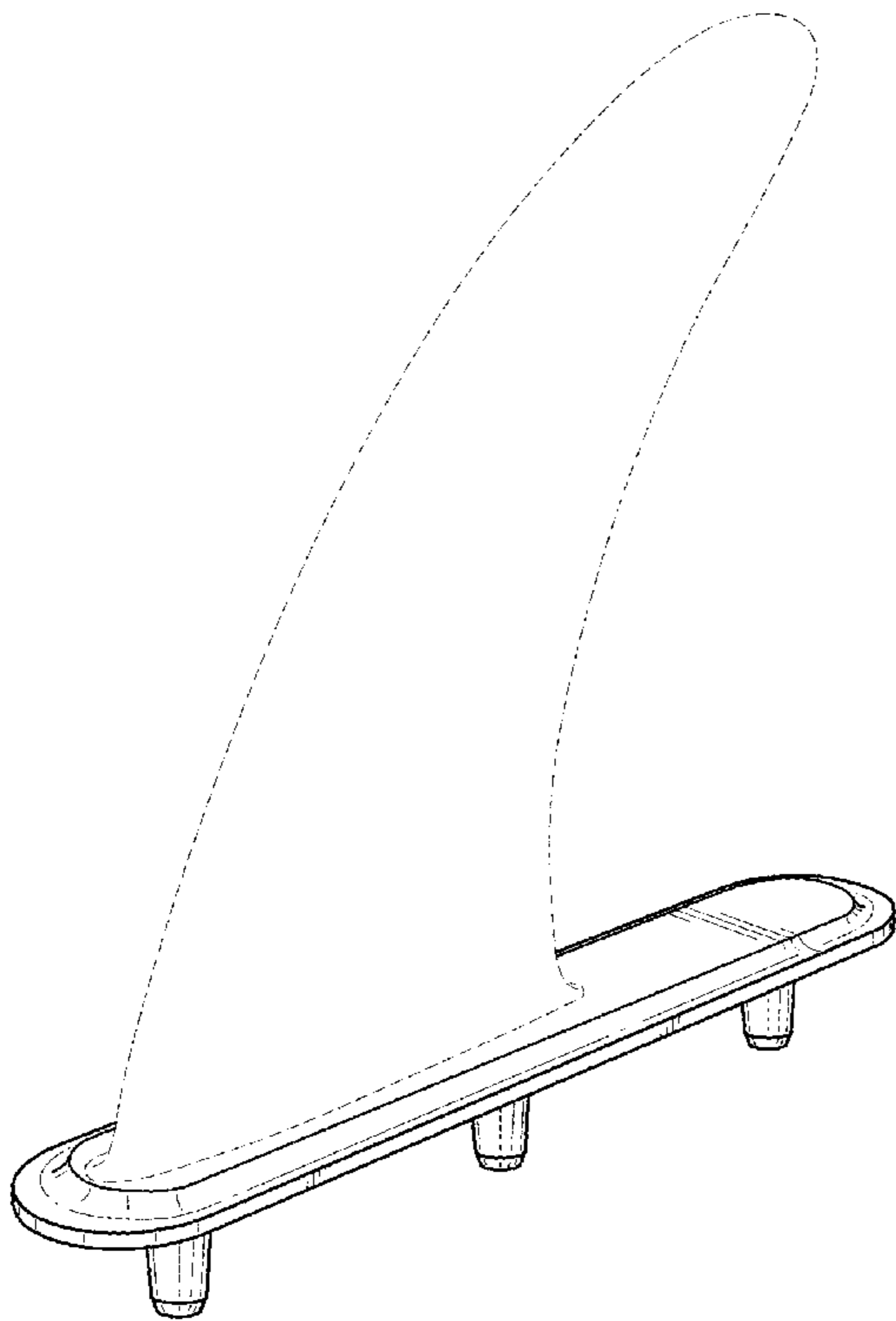
I claim the ornamental design for a fin plug, as shown and described herein.

DESCRIPTION

FIG. 1. Is a perspective view of my fin plug;
FIG. 2. Is a close-up perspective view of my fin plug;
FIG. 3. Is a left side view thereof, the right side view being a mirror image thereof;
FIG. 4. Is a top view thereof;
FIG. 5. Is a bottom view thereof; and,
FIG. 6. Is a front view thereof, the rear view being a mirror image thereof.

The broken lines in the drawings show environment that forms no part of the claimed design. Applicant makes no claim as to color with regards to the present invention.

1 Claim, 5 Drawing Sheets



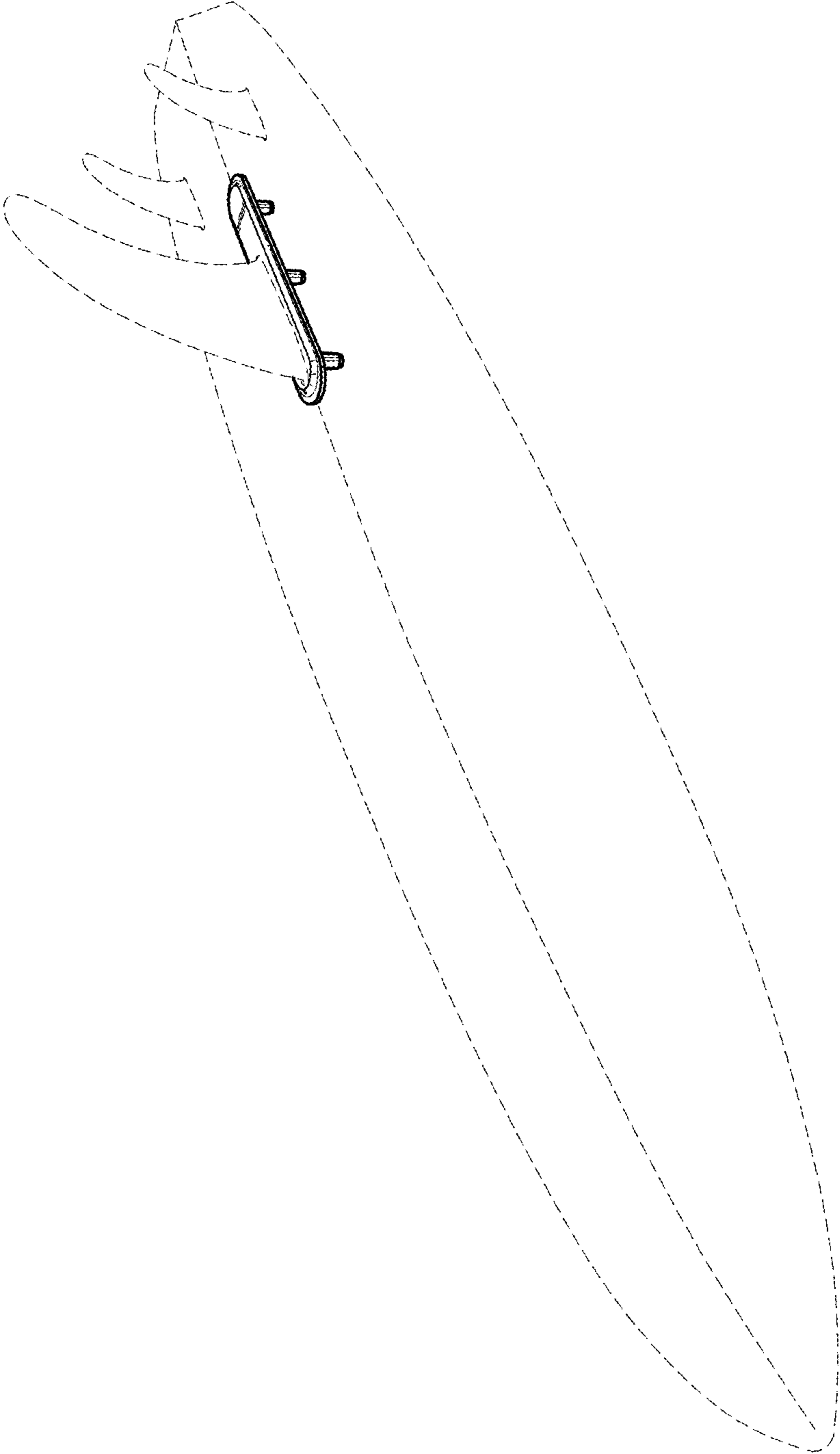


FIG. 1

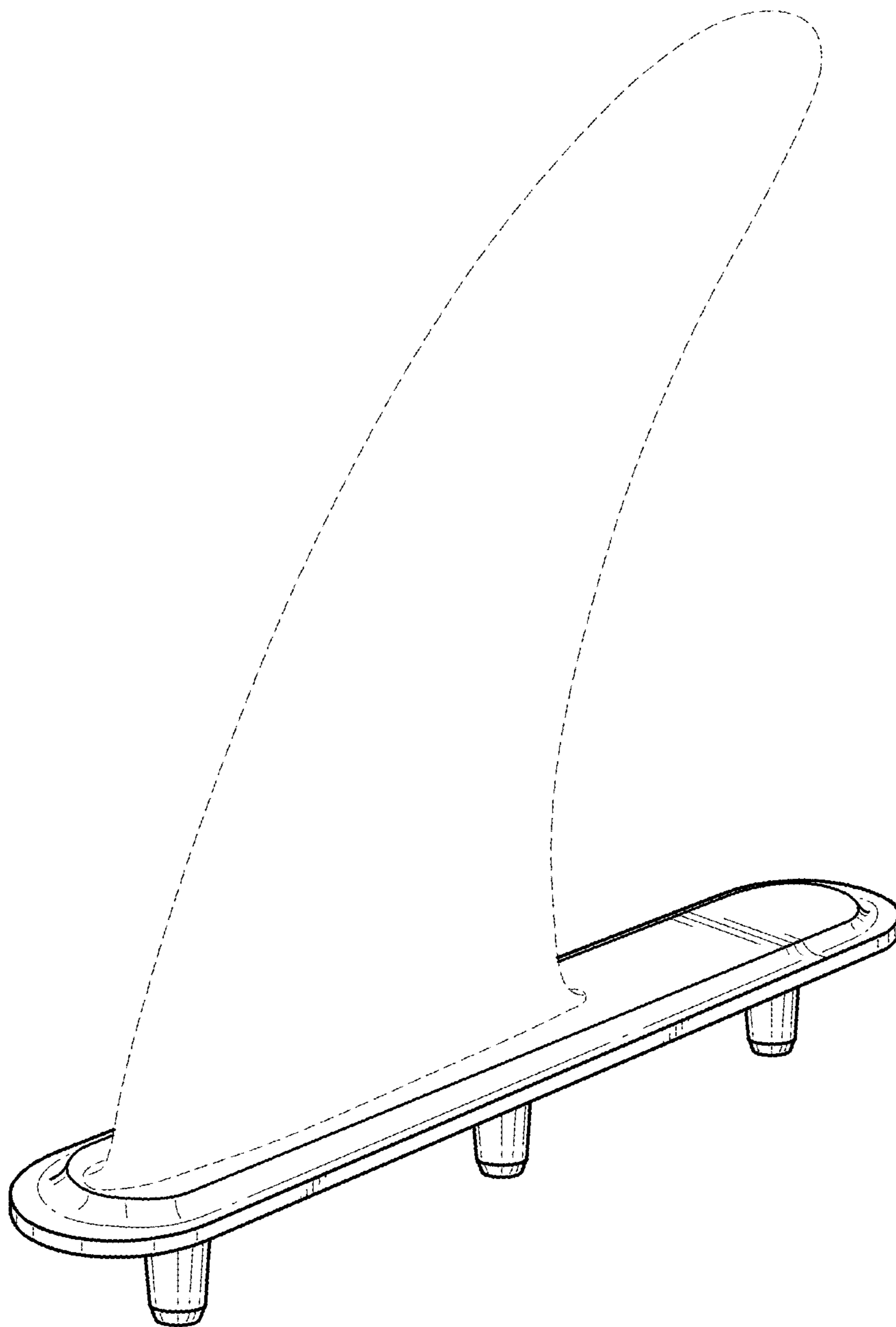


FIG. 2

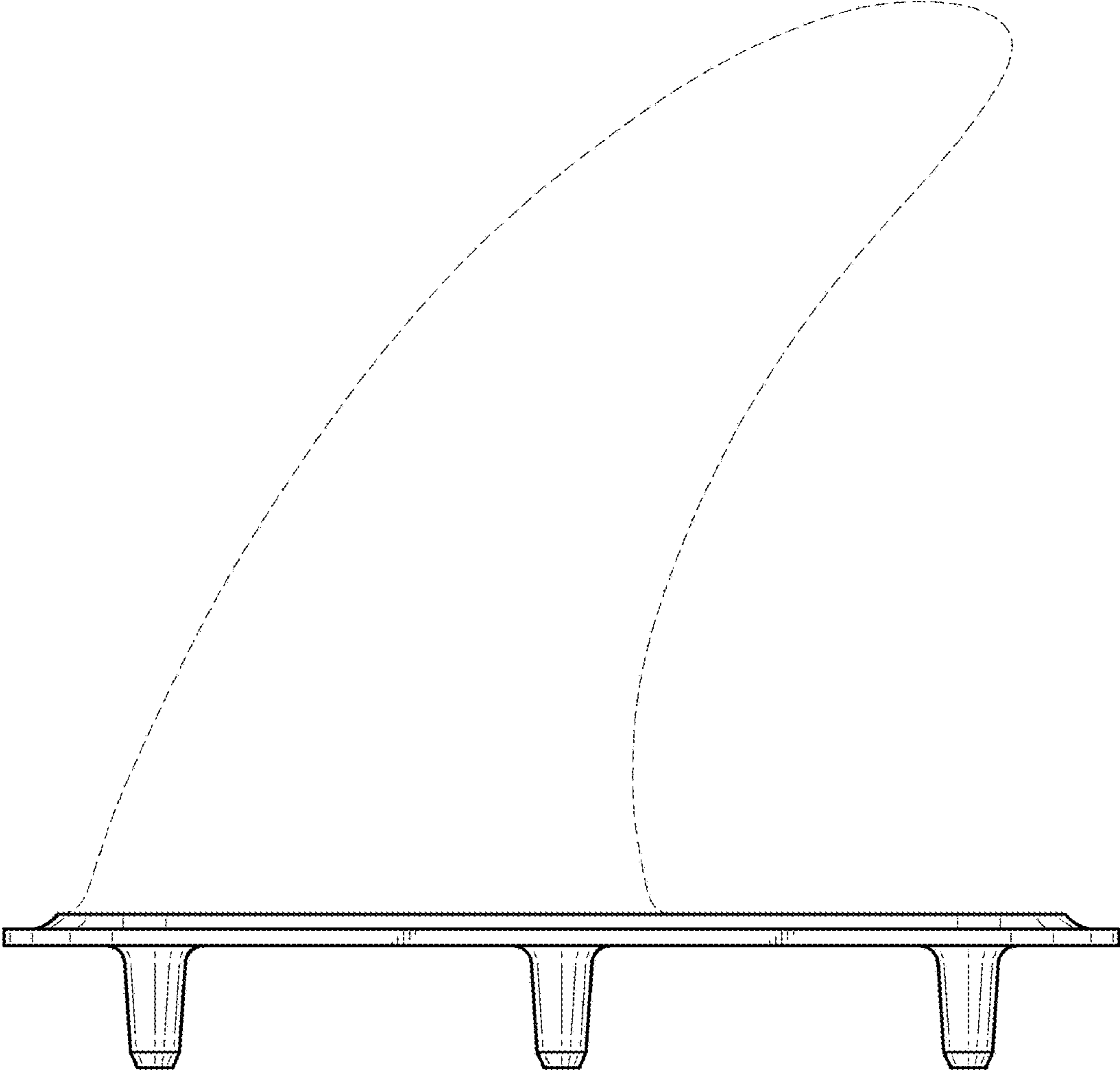


FIG. 3

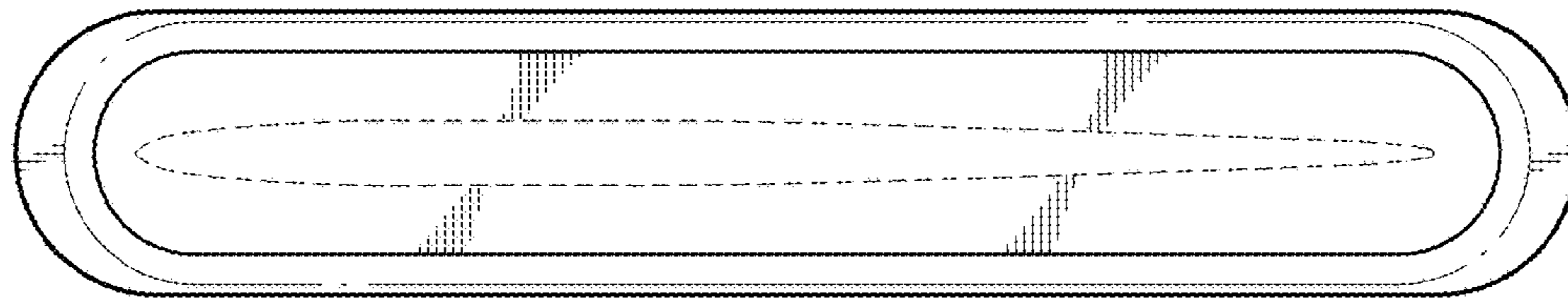


FIG. 4

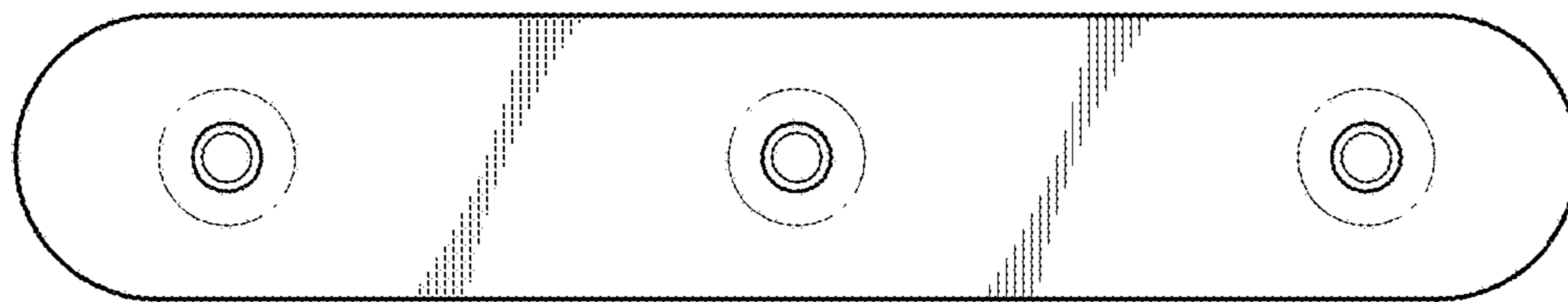


FIG. 5

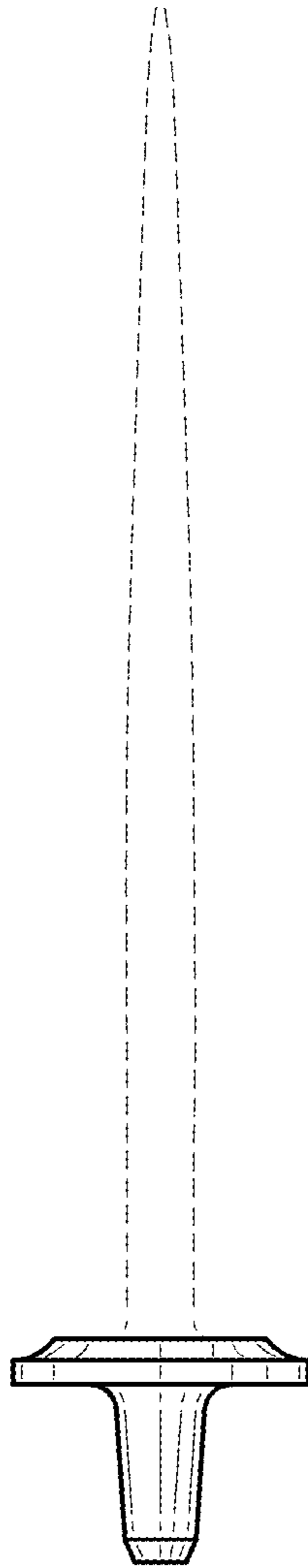


FIG. 6