



US00D831133S

(12) **United States Design Patent** (10) **Patent No.:** **US D831,133 S**
Goldmon (45) **Date of Patent:** **** Oct. 16, 2018**

(54) EXERCISE MAT	5,651,753 A * 7/1997 Wilkinson A63B 23/0458 482/51
(71) Applicant: DCG Projects, LLC , Pine Bluff, AR (US)	D413,989 S * 9/1999 Dupont D25/62 6,146,588 A * 11/2000 Deighton A01N 25/00 15/104.92
(72) Inventor: Debra C. Goldmon , Pine Bluff, AR (US)	D554,208 S * 10/2007 Palaszek D21/662 D701,062 S * 3/2014 Kinsella D6/582 8,794,975 B2 * 8/2014 Davey A63B 23/0244 434/236
(73) Assignee: DCG Projects, LLC , Pine Bluff, AR (US)	D770,201 S * 11/2016 Dieckhaus D6/582 D790,879 S * 7/2017 Maggard D6/601 D803,958 S * 11/2017 Clark D21/687
(**) Term: 15 Years	9,889,339 B2 * 2/2018 Douglass A63B 23/0405 2013/0023392 A1 * 1/2013 Glickfield A63B 17/04 482/142

(21) Appl. No.: **29/594,322**

(22) Filed: **Feb. 17, 2017**

(51) **LOC (11) Cl.** **21-02**

(52) **U.S. Cl.**
USPC **D21/686**

(58) **Field of Classification Search**
USPC D21/686, 662, 671, 688, 694, 333, 698,
D21/699, 689, 687; D6/582, 591, 583,
D6/588, 589, 592, 685, 707.22, 587, 608,
D6/604, 601; 482/30, 52, 74, 23, 909,
482/148, 139, 146, 34, 93, 51, 66, 79,
482/132, 141, 172; D25/138, 62; 5/417;
D30/118; D19/9, 10; D24/188, 125
CPC A63B 21/4037; A63B 23/0458; A63B
2210/50; A63B 22/0664; A63B 22/001;
A63B 2208/0204; A63B 6/00; A47G
27/0237

See application file for complete search history.

(56) **References Cited**

U.S. PATENT DOCUMENTS

D355,226 S *	2/1995	Wadley	D21/686
5,470,292 A *	11/1995	Simon	A63B 23/0458 482/51
5,540,638 A *	7/1996	Wilkinson	A47C 3/20 482/51

* cited by examiner

Primary Examiner — Philip S Hyder
Assistant Examiner — Ryan P Harvey
(74) *Attorney, Agent, or Firm* — Rashauna Norment

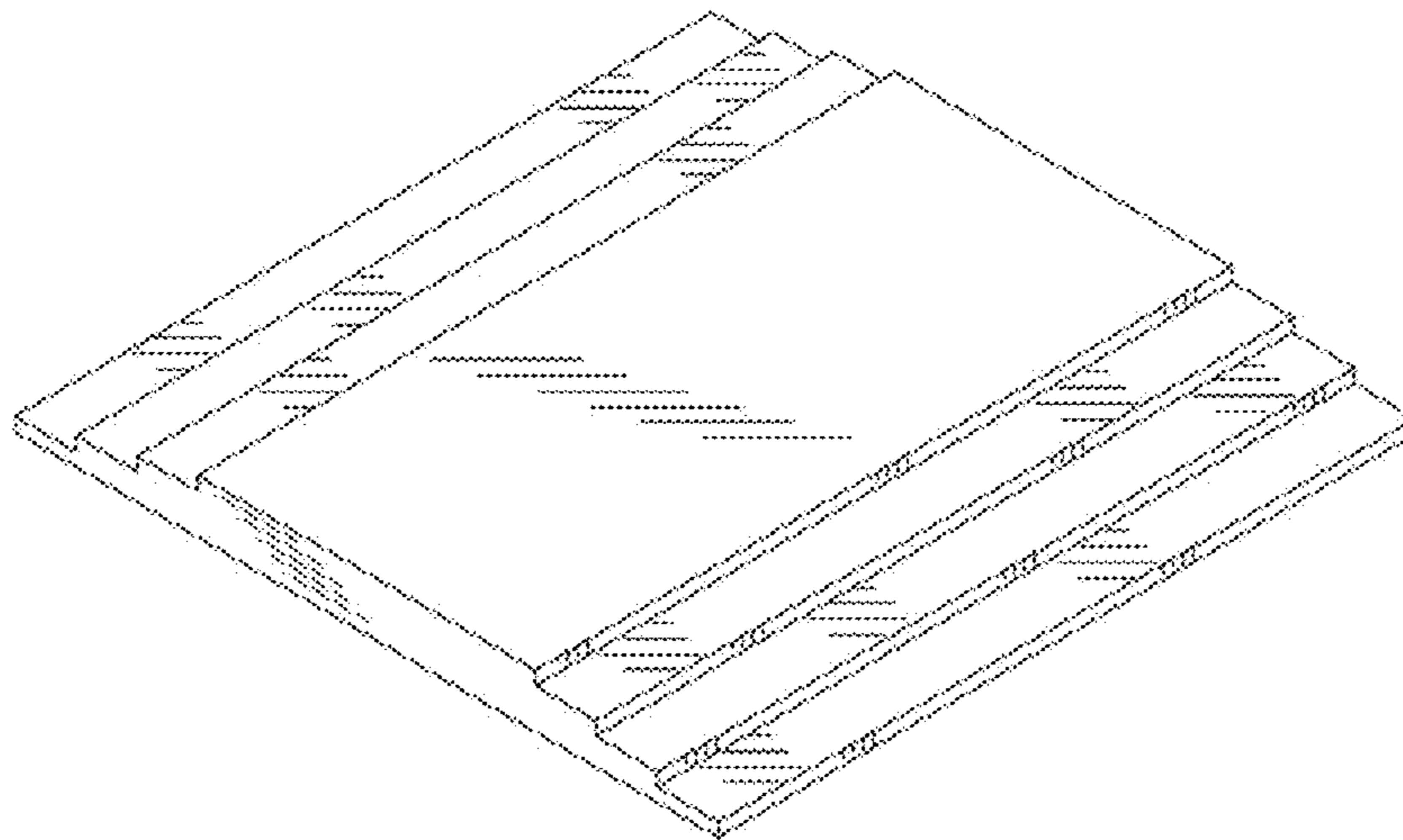
(57) **CLAIM**

The ornamental design for an exercise mat, as shown and described.

DESCRIPTION

FIG. 1 is a perspective view of an exercise mat, showing my new design;
FIG. 2 is a top plan view of FIG. 1 thereof;
FIG. 3 is a bottom plan view of FIG. 1 thereof;
FIG. 4 is a front elevation view of FIG. 1 thereof, with the rear elevation view being a mirror image;
FIG. 5 is a left side elevation view of FIG. 1, with a right side elevation view being a mirror image; and,
FIG. 6 is another perspective view of FIG. 1 thereof, showing the exercise mat in use.
The broken lines depict environmental subject matter and form no part of the claimed design.

1 Claim, 5 Drawing Sheets



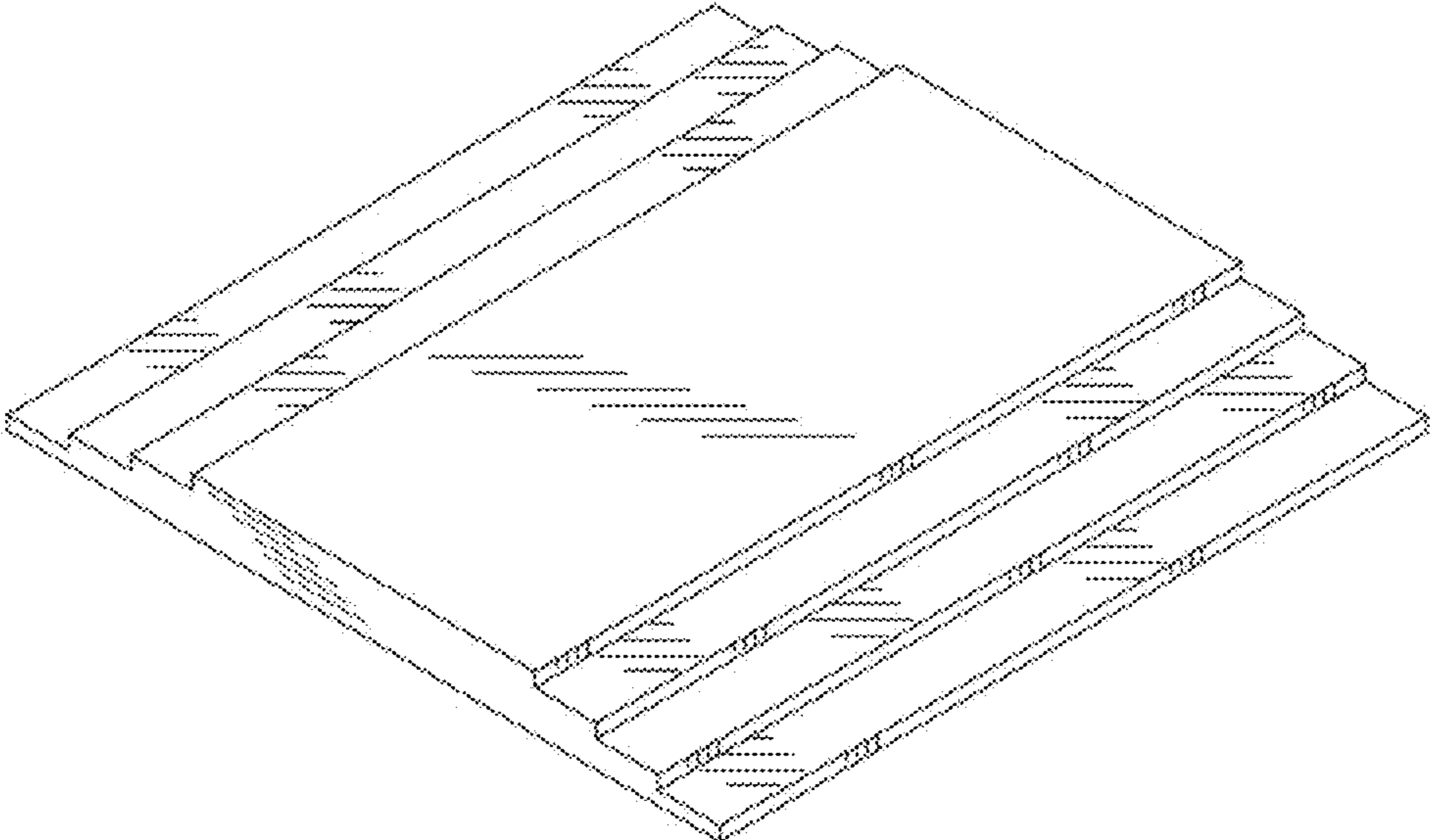


FIG. 1

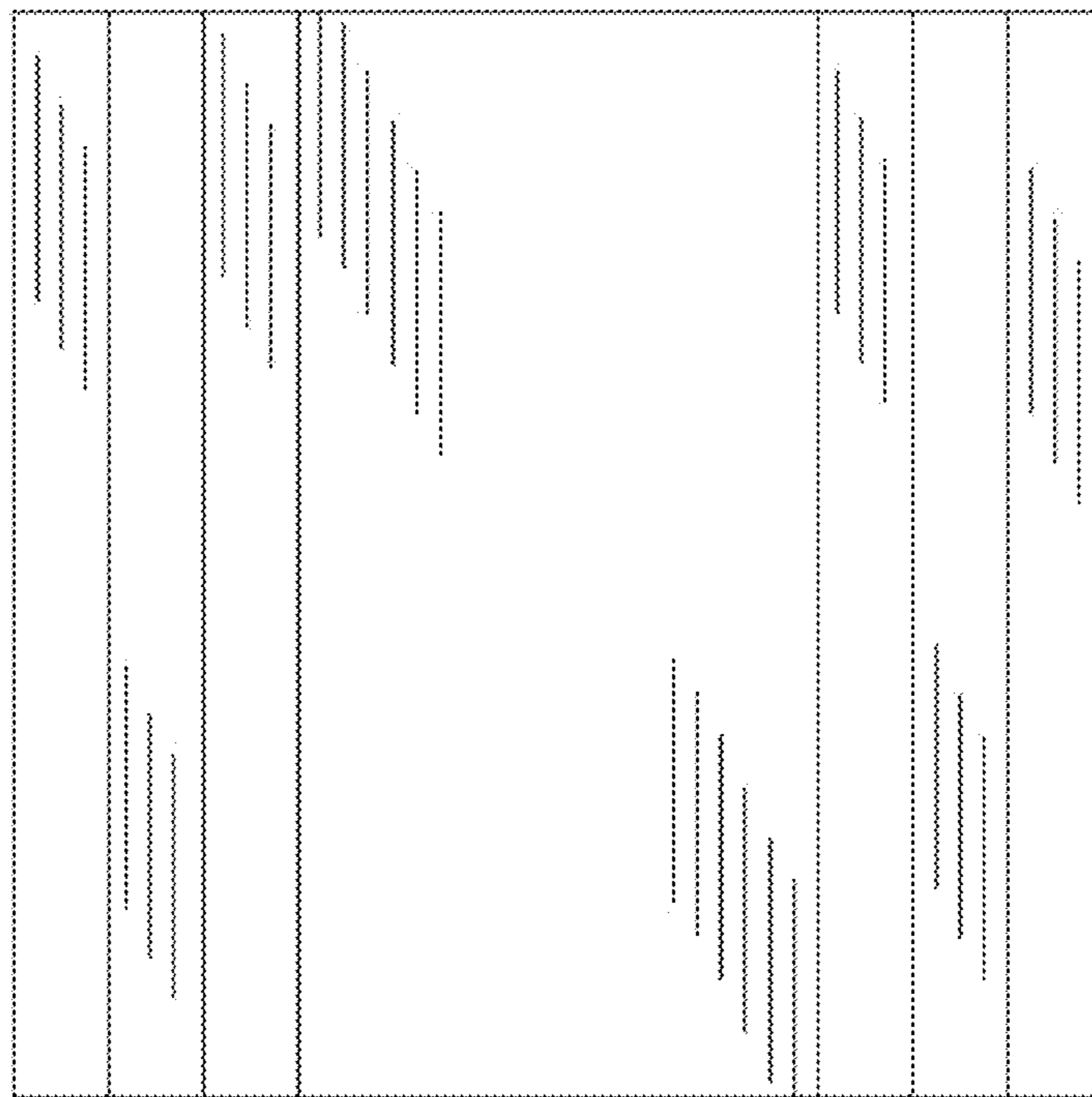


FIG. 2

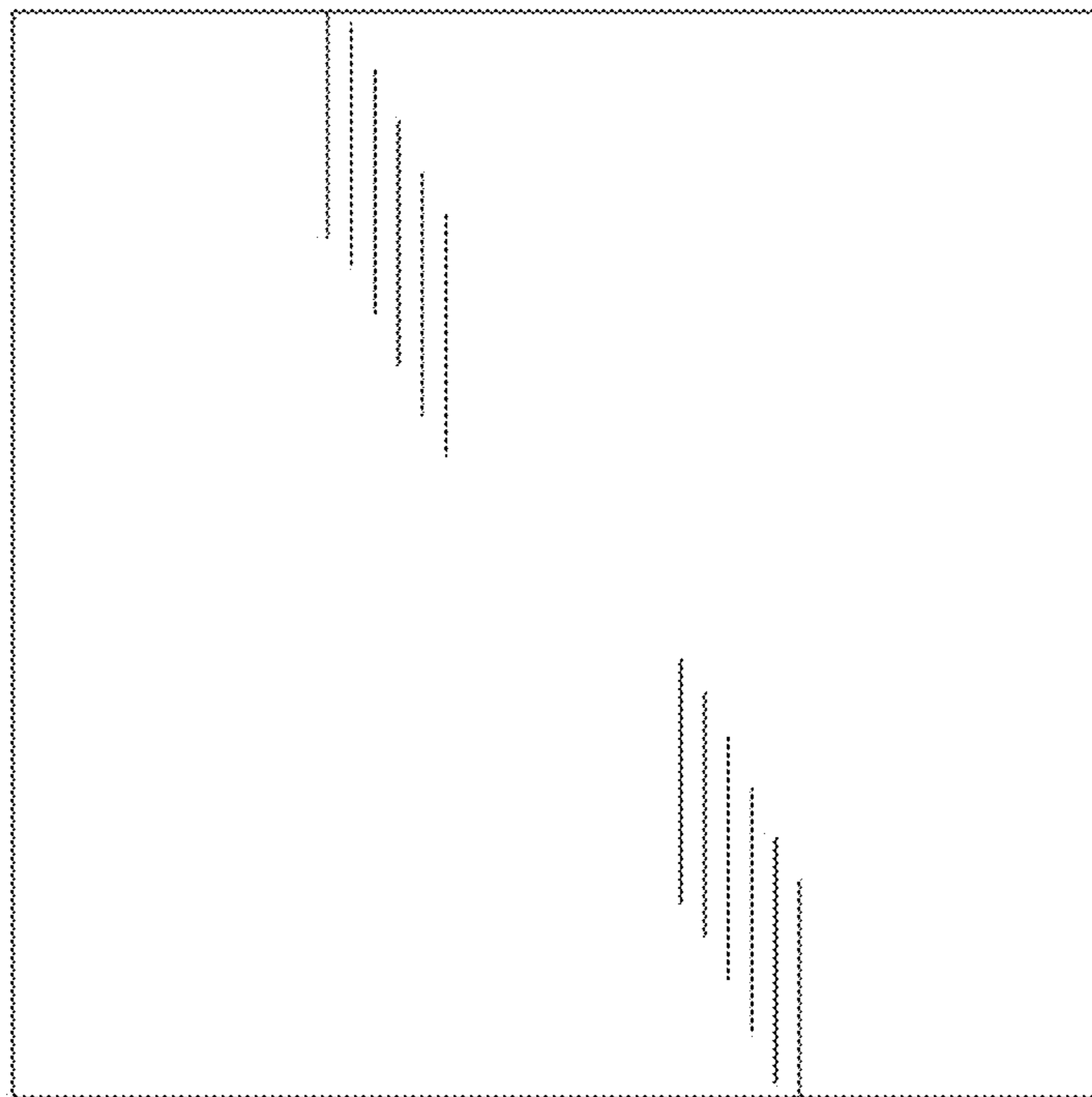


FIG. 3

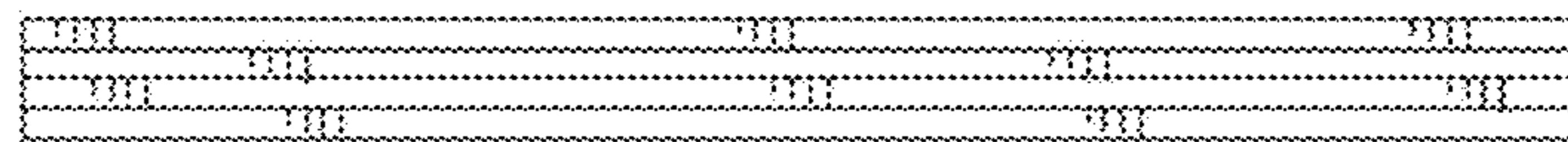


FIG. 4

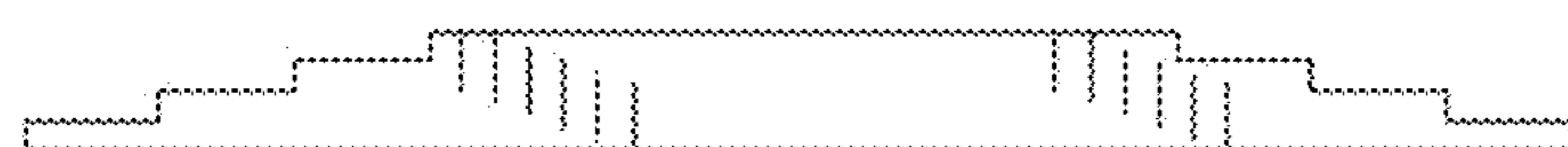


FIG. 5

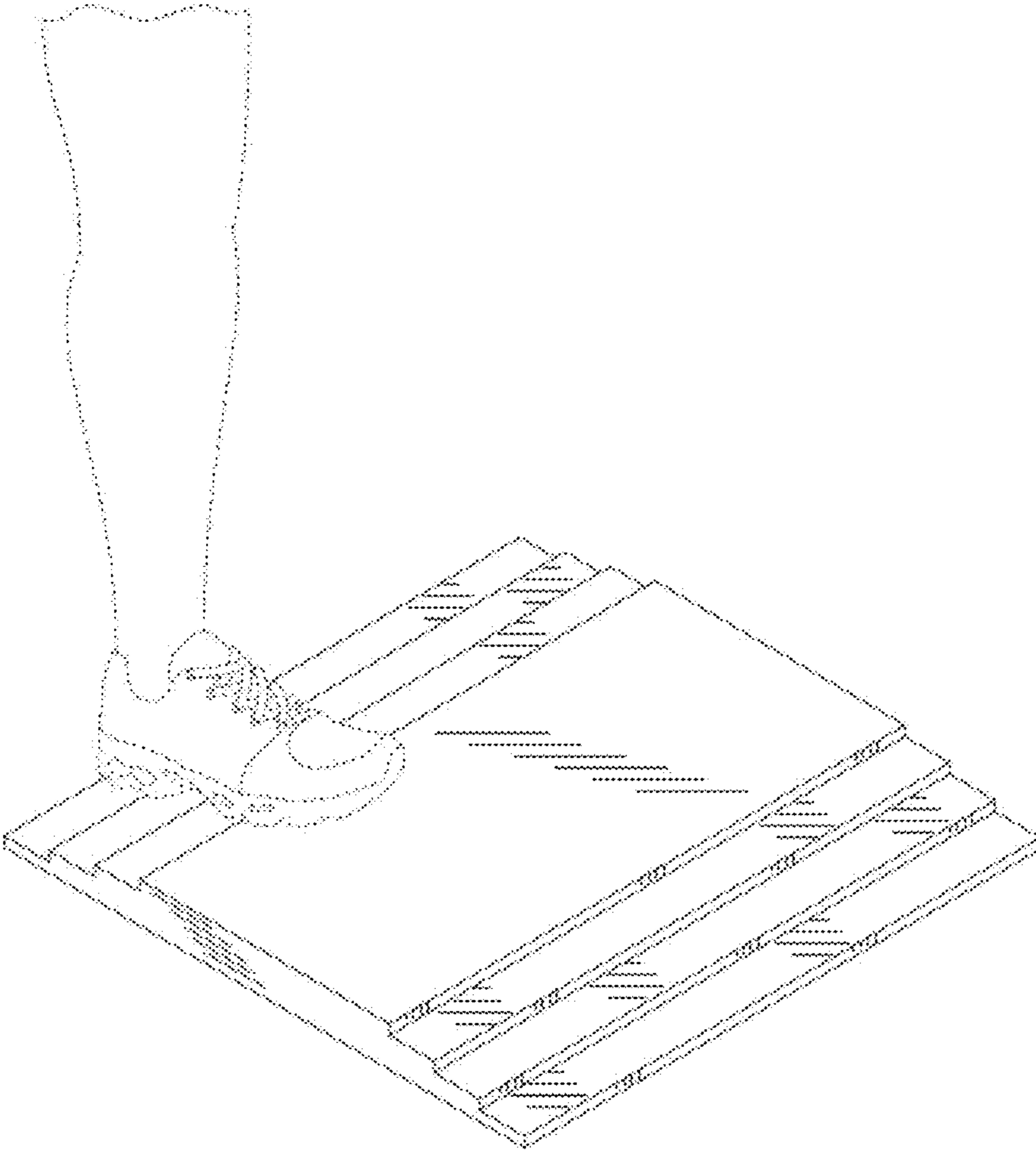


FIG. 6