



US00D831132S

(12) **United States Design Patent** (10) **Patent No.:** **US D831,132 S**
Fairchild et al. (45) **Date of Patent:** **** Oct. 16, 2018**

(54) **MULTIPURPOSE WORKOUT BAR**

(71) Applicant: **Jamie Brandon Fairchild**, Sudbury (CA)

(72) Inventors: **Jamie Brandon Fairchild**, Sudbury (CA); **Mark Simmons**, Toronto (CA)

(73) Assignee: **JAMIE BRANDON FAIRCHILD**, Sudbury (CA)

(**) Term: **15 Years**

(21) Appl. No.: **29/555,289**

(22) Filed: **Feb. 19, 2016**

(51) **LOC (11) Cl.** **21-02**

(52) **U.S. Cl.**
USPC **D21/679**

(58) **Field of Classification Search**
USPC ... 482/93, 106, 109, 110, 139, 38, 126, 108, 482/104, 49, 141, 41, 88, 44, 45, 51, 52, 482/105; D21/692, 662, 680, 684, 686, D21/679, 682, 691, 688, 814, 681, 694, D21/713, 398, 707, 693; D3/262, 276, D3/282, 294, 905; D1/120; D30/160; D9/524; 52/650.2; D12/110, 114, 117, D12/123
CPC A63B 21/0728; A63B 21/075; A63B 21/0724; A63B 21/0726; A63B 21/072; A63B 21/00065; A63B 1/00; A63B 21/0783; A63B 21/0004; A63B 23/12
See application file for complete search history.

(56) **References Cited**

U.S. PATENT DOCUMENTS

D174,430 S * 4/1955 Horowitz D21/814
D276,062 S * 10/1984 Dennis D21/688
D478,195 S * 8/2003 McGinty D30/160
D496,706 S * 9/2004 Auberger D21/814

D497,679 S * 10/2004 Soika D25/119
D502,231 S * 2/2005 Auberger D21/688
D508,097 S * 8/2005 Perez D21/662
D513,297 S * 12/2005 Bourget D21/814
D520,366 S * 5/2006 Fannesbeck D9/524
D706,890 S * 6/2014 Scheffer D21/699
D706,891 S * 6/2014 Scheffer D21/699
D728,039 S * 4/2015 Groshek D21/679
D734,407 S * 7/2015 Gangemi D21/680
2003/0130096 A1 * 7/2003 LaCroce A63B 21/0724
482/106
2012/0283073 A1 * 11/2012 Zabel A63B 21/0603
482/93
2015/0148197 A1 * 5/2015 Lentz A63B 1/00
482/40

OTHER PUBLICATIONS

The Composite Yoak by the yoak dated no date given. Found online [Aug. 2, 2017] <https://theyoak.com/products/the-composite-yoak>.*

* cited by examiner

Primary Examiner — Philip S Hyder
Assistant Examiner — Ryan Harvey
(74) *Attorney, Agent, or Firm* — Norton Rose Fulbright Canada LLP; Niall Cooney

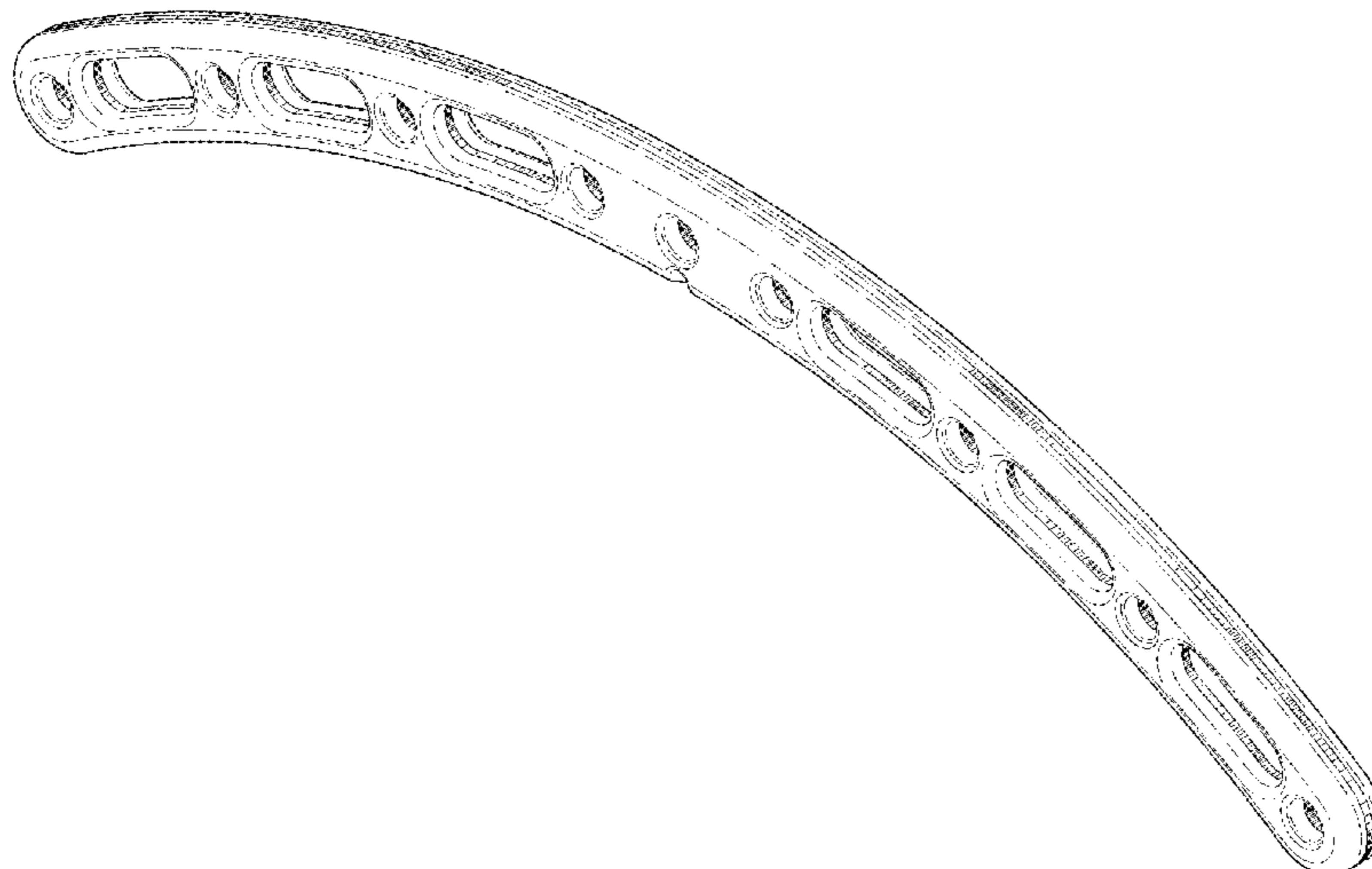
(57) **CLAIM**

We claim the ornamental design for a multipurpose workout bar, as shown and described.

DESCRIPTION

FIG. 1 is an isometric view of a multipurpose workout bar showing our new design.
FIG. 2 is a front view thereof.
FIG. 3 is a rear view thereof.
FIG. 4 is a top view thereof.
FIG. 5 is a bottom view thereof.
FIG. 6 is a left view thereof; and,
FIG. 7 is a right view thereof.

1 Claim, 7 Drawing Sheets



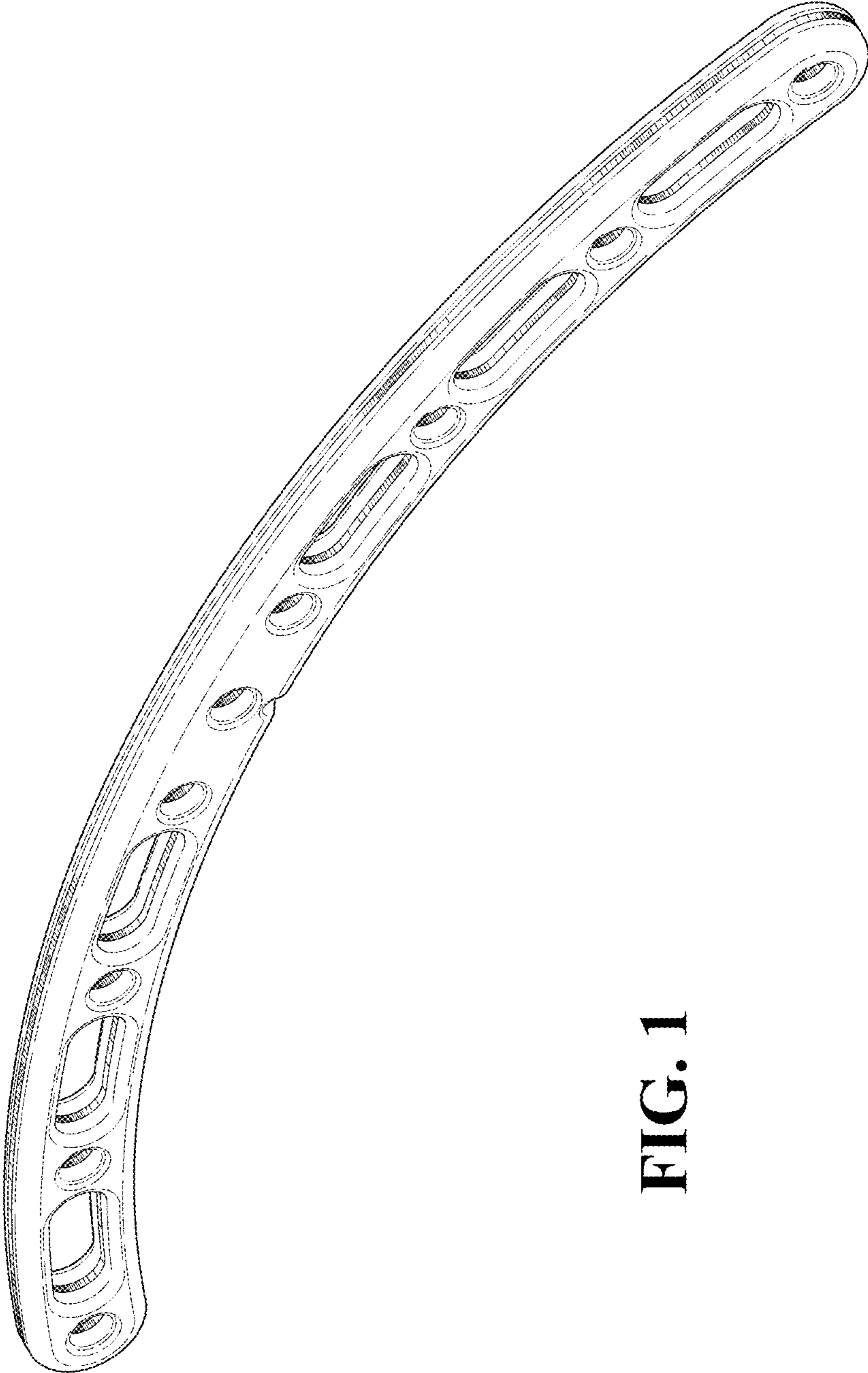


FIG. 1

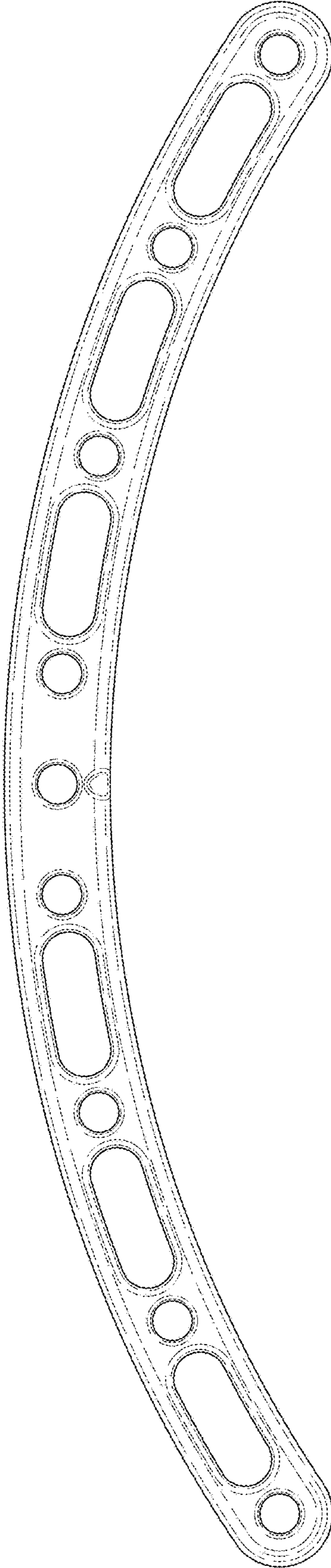


FIG. 2

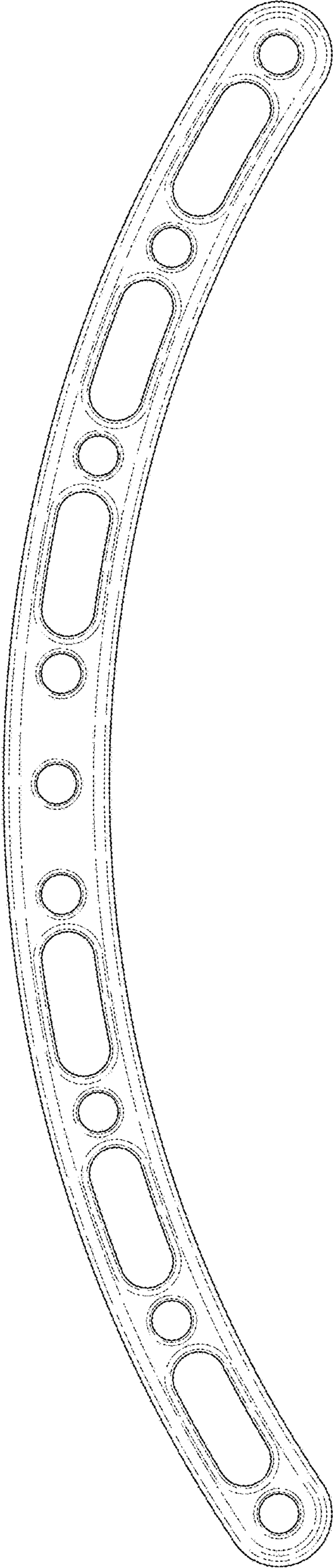


FIG. 3

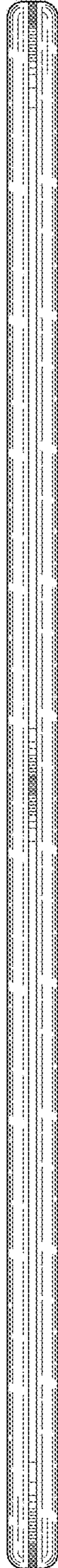


FIG. 4

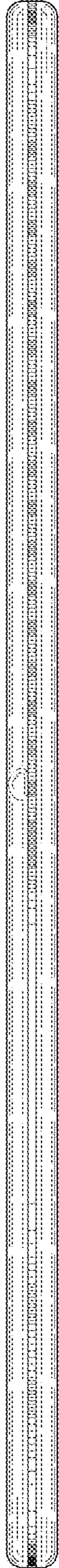


FIG. 5

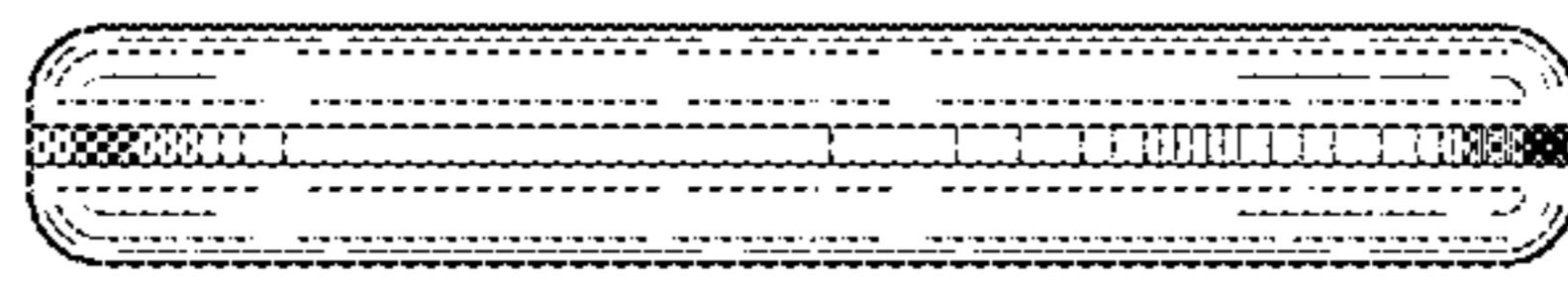


FIG. 6

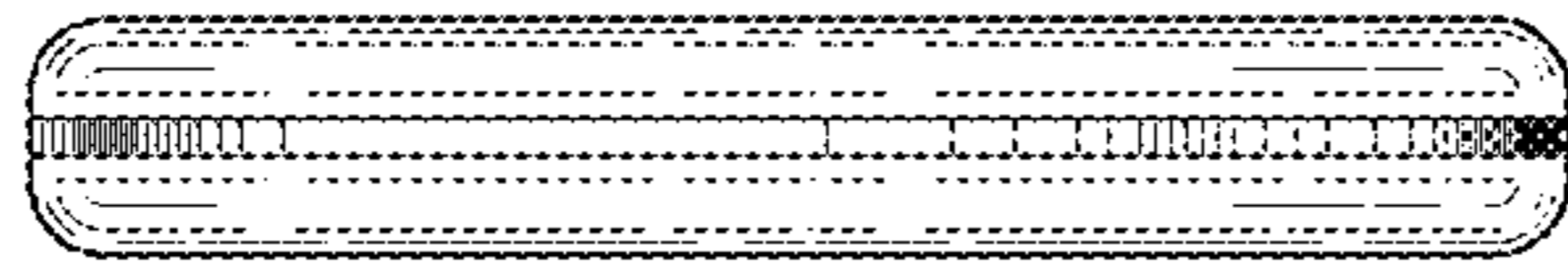


FIG. 7