



US00D831131S

(12) **United States Design Patent** (10) **Patent No.:** **US D831,131 S**
Zha (45) **Date of Patent:** **** Oct. 16, 2018**

(54) **TREADMILL FRAME**
(71) Applicant: **Yifei Zha**, Oconomowoc, WI (US)
(72) Inventor: **Yifei Zha**, Oconomowoc, WI (US)
(73) Assignee: **Johnson Health Tech Co., Ltd.**,
Taichung (TW)
(**) Term: **15 Years**
(21) Appl. No.: **29/555,643**
(22) Filed: **Feb. 24, 2016**
(51) **LOC (11) Cl.** **21-02**
(52) **U.S. Cl.**
USPC **D21/669**
(58) **Field of Classification Search**
USPC D21/662, 668, 669, 670, 671, 673, 679,
D21/686, 694; D3/7; D12/8, 128, 129,
D12/130, 131, 132, 133
CPC A63B 24/0062; A63B 24/0087; A63B
24/0075; A63B 22/0605; A63B
2024/0065; A63B 21/225; A63B 21/4034;
A63B 21/4035; A63B 2220/12; A63B
22/02; A63B 22/0664; A63B 71/0622;
A63B 2024/0068; A63B 2024/0093
See application file for complete search history.

(56) **References Cited**
U.S. PATENT DOCUMENTS
D136,745 S * 11/1943 Simms D12/130
D280,922 S * 10/1985 Sieder D21/690
D291,821 S * 9/1987 Kiiski D21/669

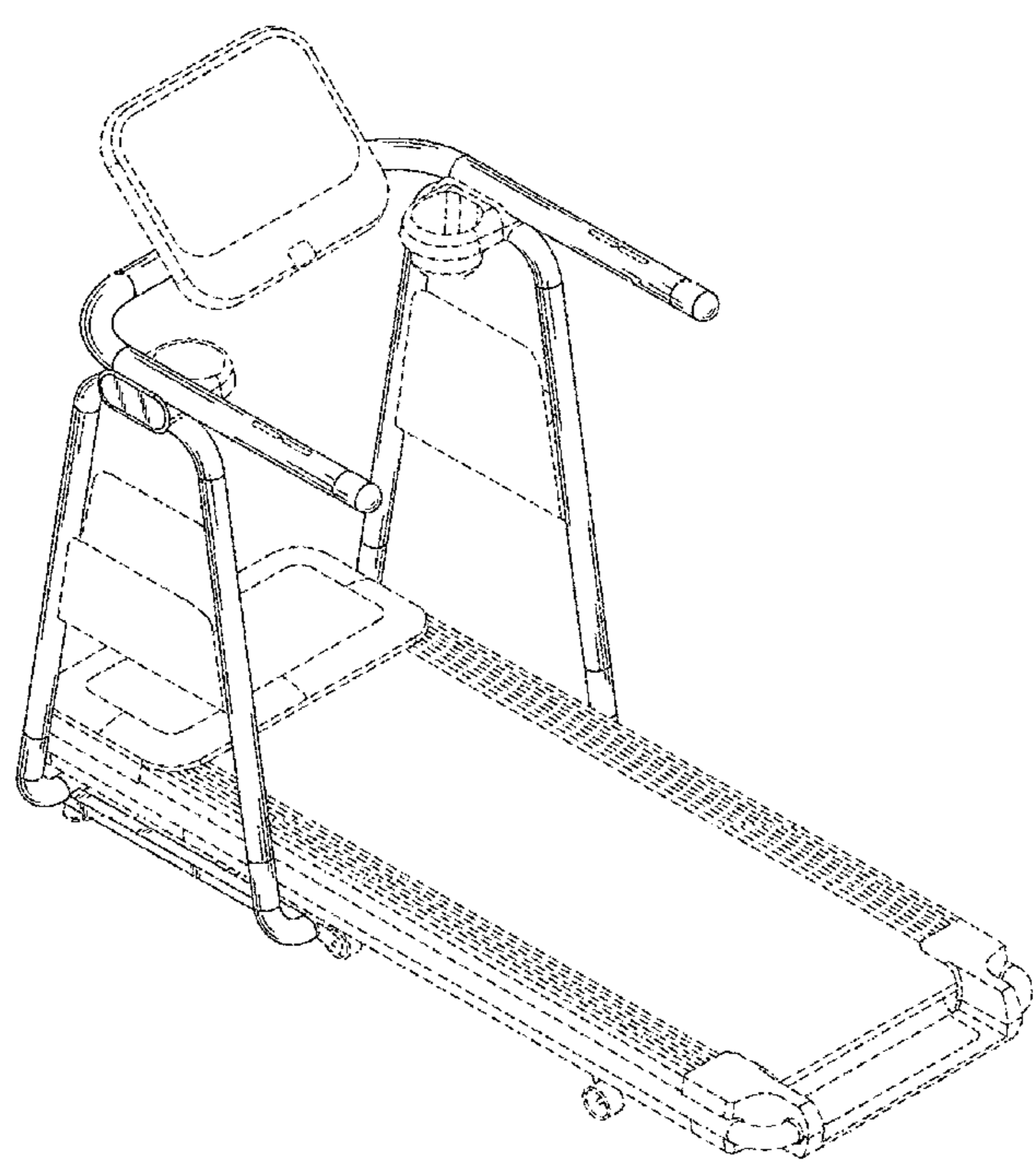
D321,734 S * 11/1991 Dunham D21/669
5,188,139 A * 2/1993 Garelick A61H 3/00
135/67
D447,780 S * 9/2001 Arnold D21/669
D450,792 S * 11/2001 Kuo D21/669
D480,773 S * 10/2003 Suchanek D21/686
D496,699 S * 9/2004 Dobson D21/669
D503,757 S * 4/2005 Sjurdagardi D21/686
D521,577 S * 5/2006 Wu D21/669
D701,581 S * 3/2014 Heitzman D21/686
D704,778 S * 5/2014 Decommer D21/669
2014/0121066 A1 * 5/2014 Huang A63B 22/02
482/54
2016/0184625 A1 * 6/2016 Chang A63B 22/0214
482/54

* cited by examiner
Primary Examiner — Caron D Veynar
Assistant Examiner — Katrina N Gonzalez

(57) **CLAIM**
The ornamental design for a treadmill frame, as shown and described.

DESCRIPTION
FIG. 1 is a perspective view of a treadmill frame showing my new design;
FIG. 2 is a front elevational view thereof;
FIG. 3 is a rear elevational view thereof;
FIG. 4 is a left side view thereof;
FIG. 5 is a right side view thereof; and,
FIG. 6 is a top plan view thereof.
The broken lines depict parts of treadmill frame that form no part of the claimed design.

1 Claim, 6 Drawing Sheets



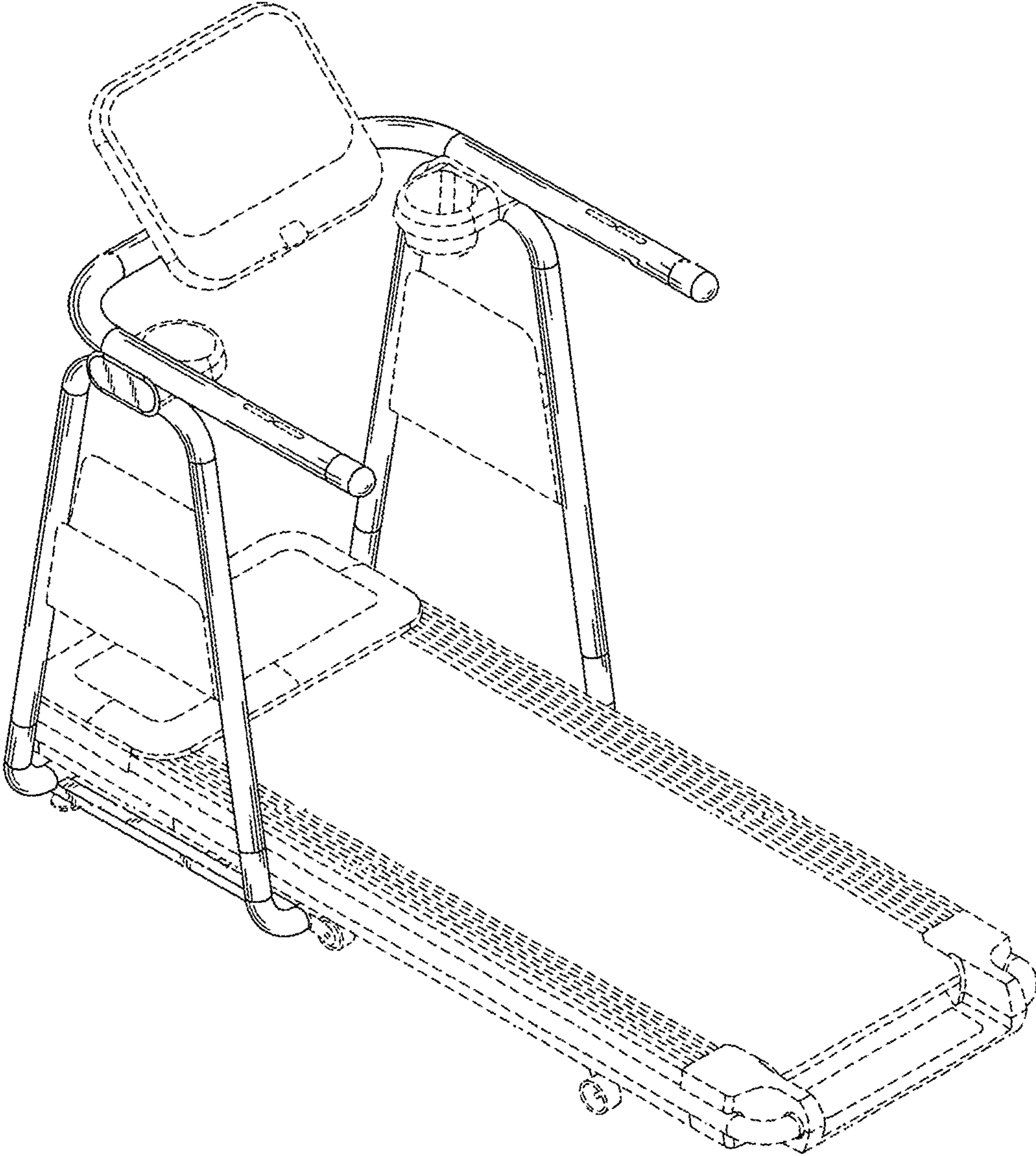


FIG. 1

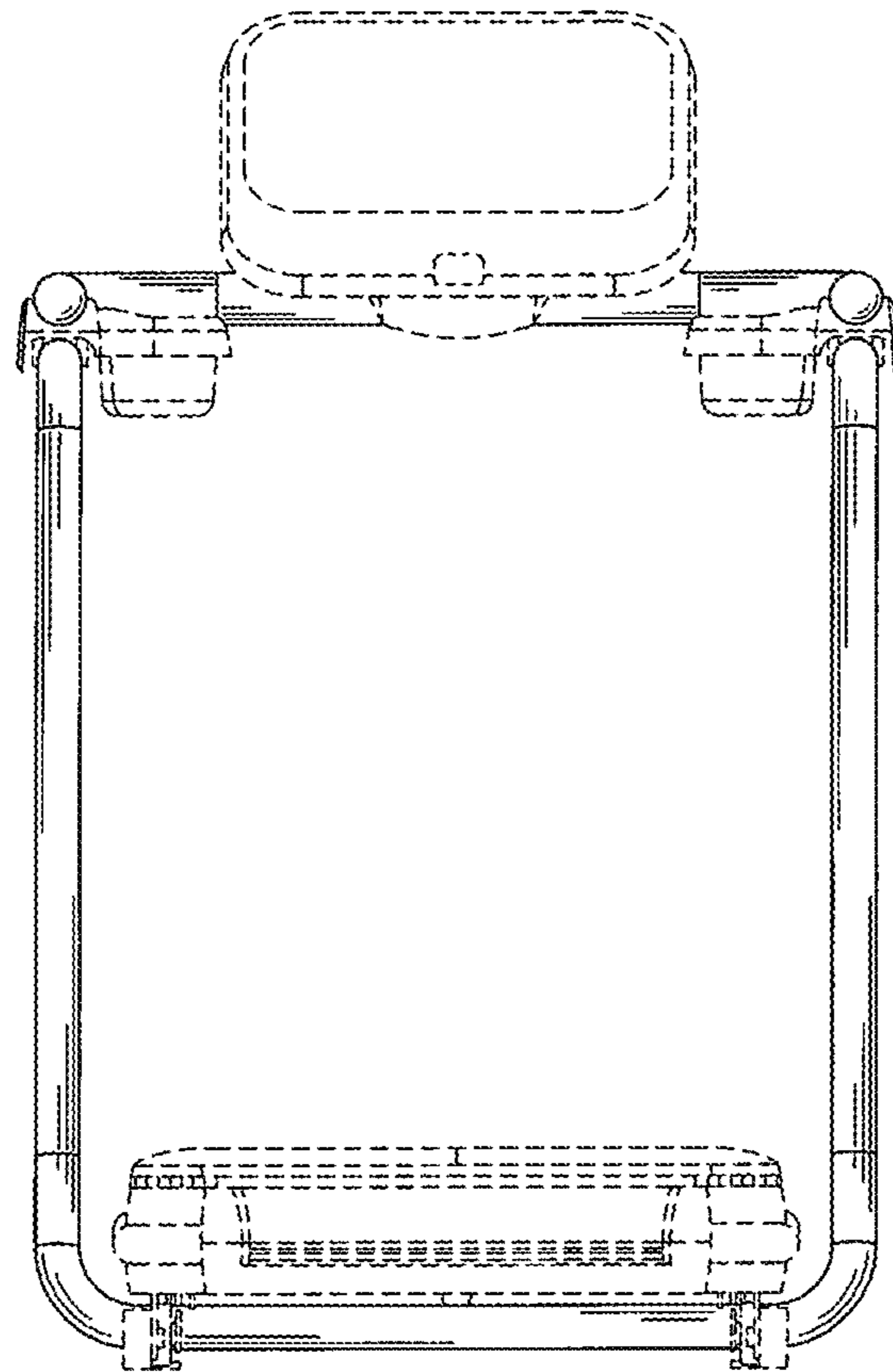


FIG. 2

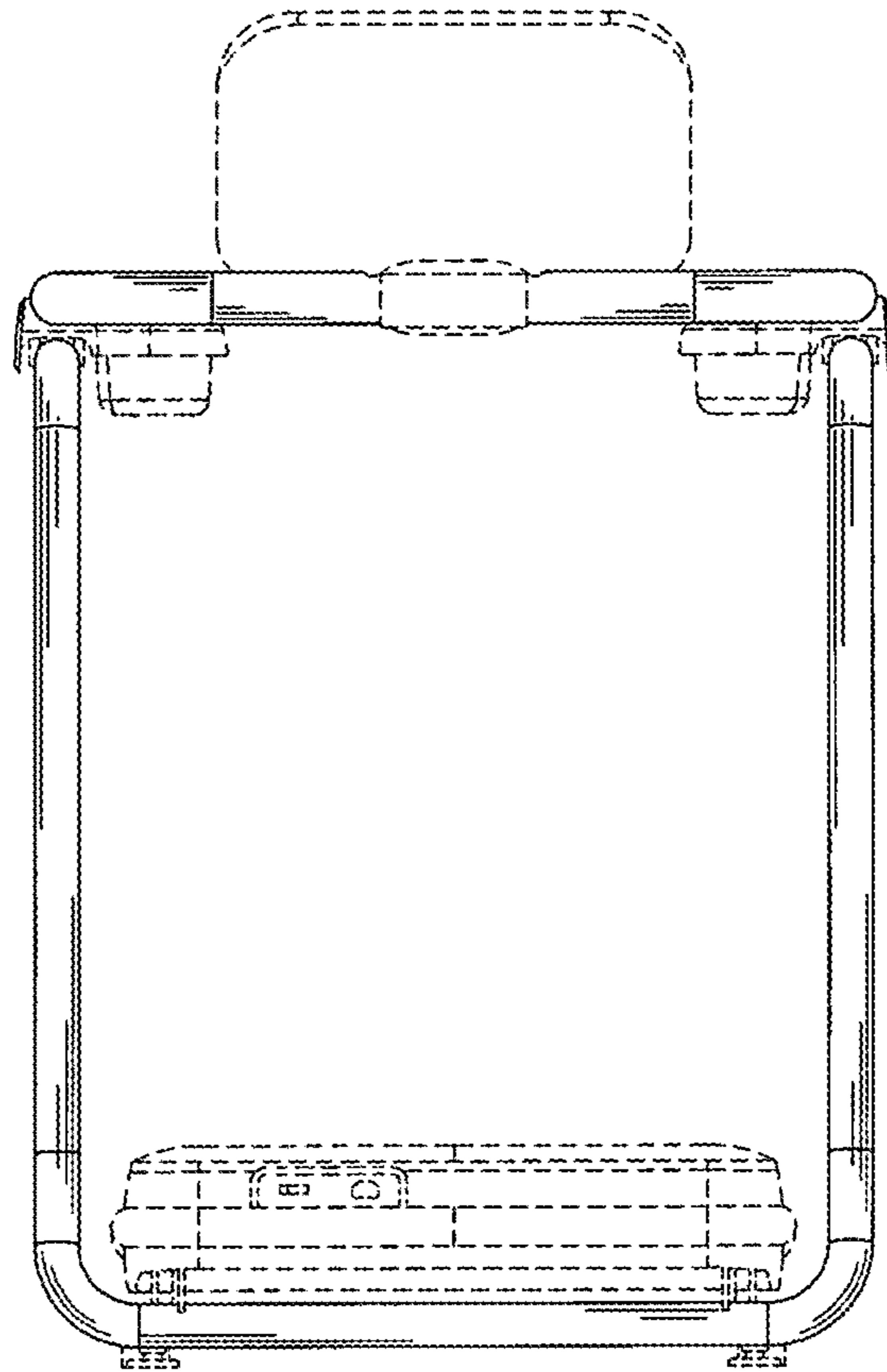


FIG. 3

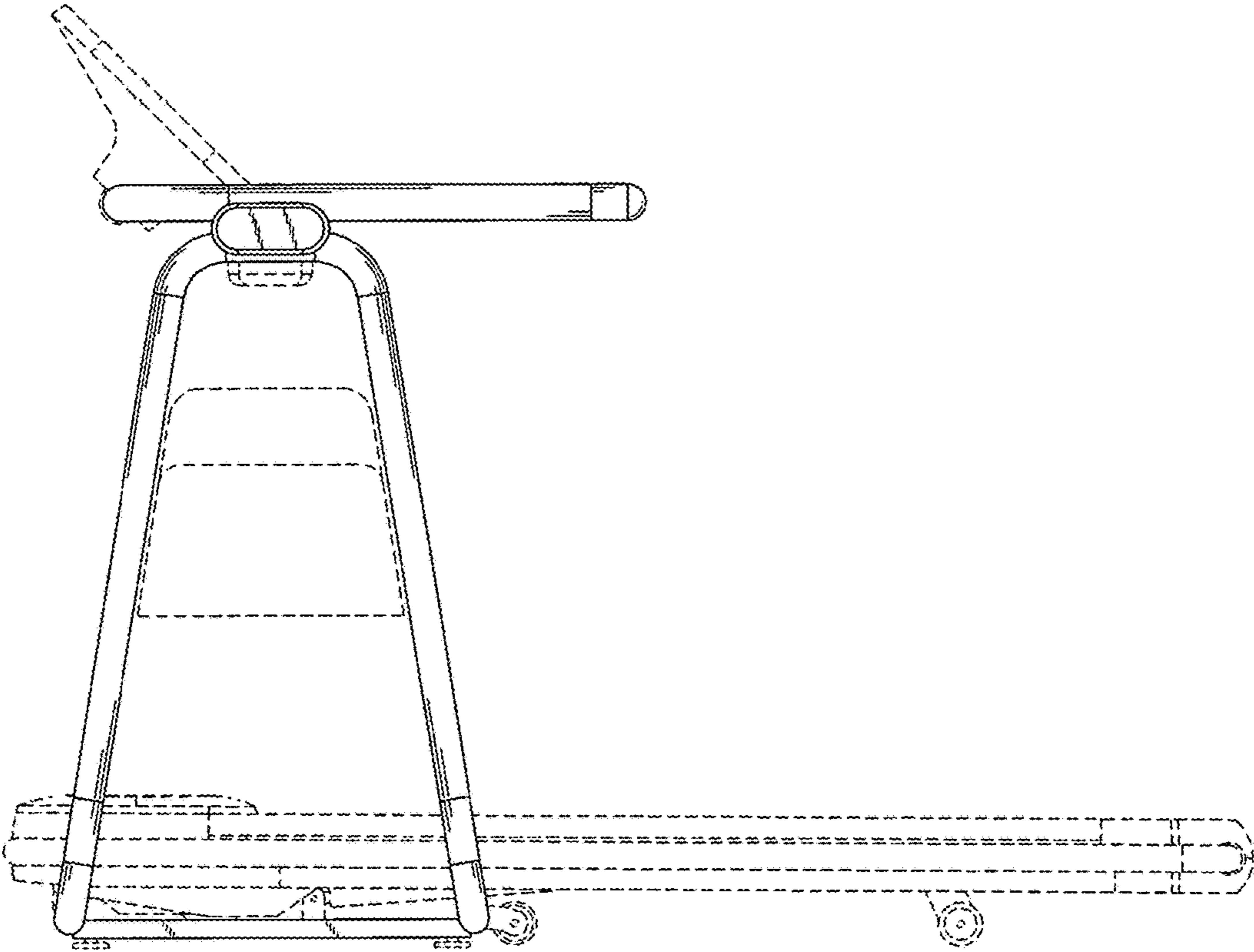


FIG. 4

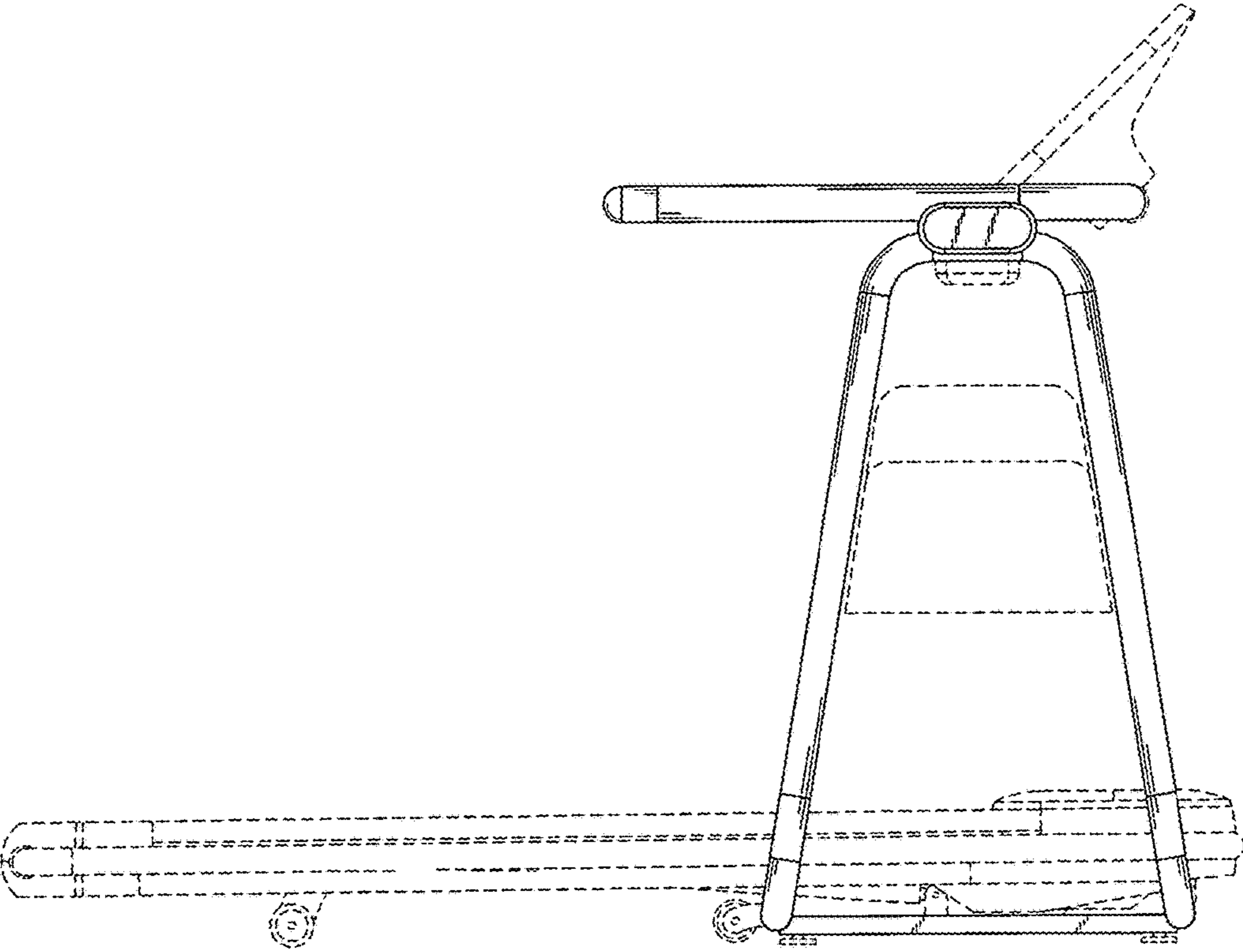


FIG. 5

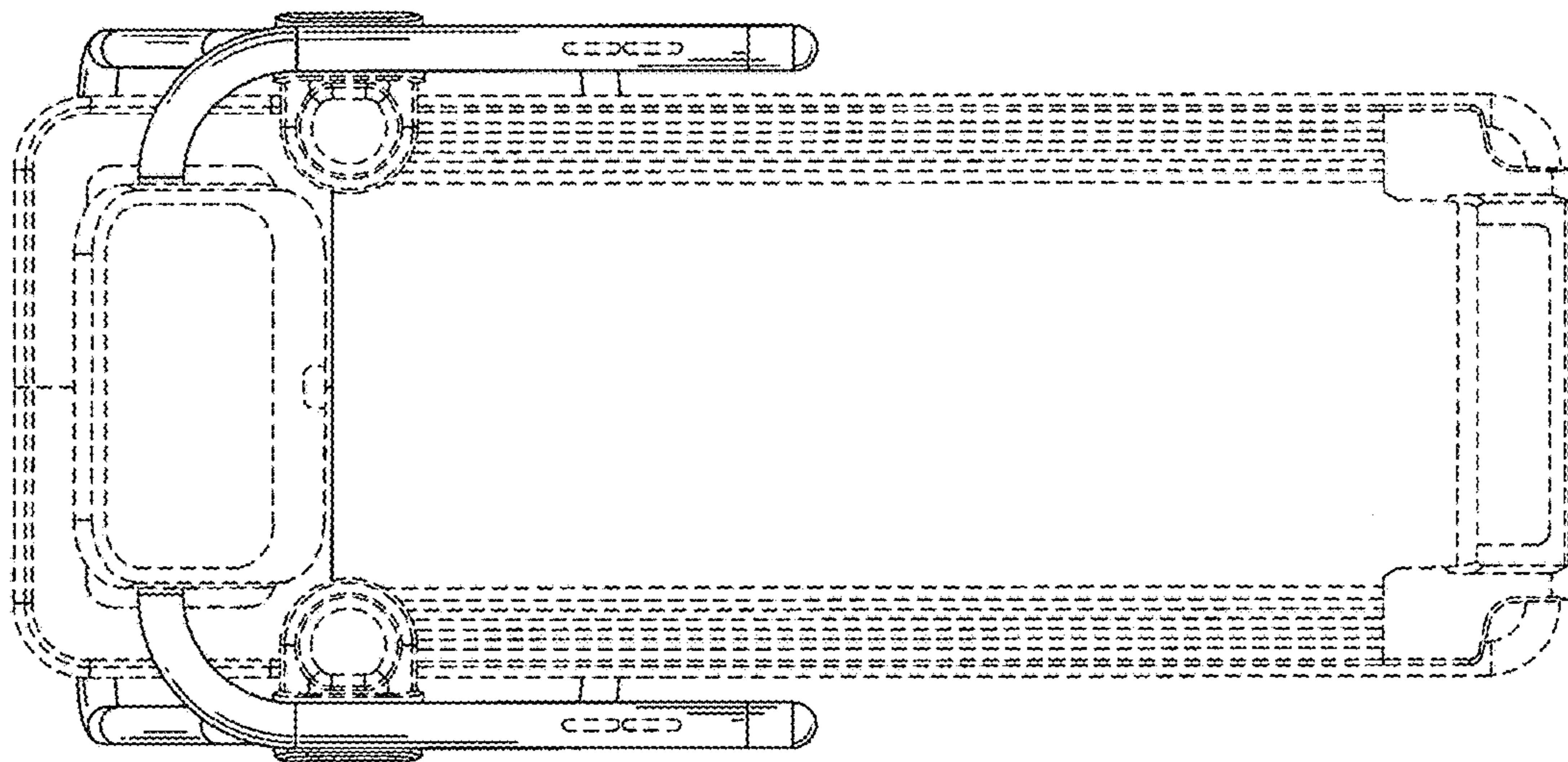


FIG. 6