



US00D831129S

(12) **United States Design Patent** (10) **Patent No.:** **US D831,129 S**
Wang (45) **Date of Patent:** **** Oct. 16, 2018**

(54) **X-BRICK**
(71) Applicant: **Howard Wang**, La Puente, CA (US)
(72) Inventor: **Howard Wang**, La Puente, CA (US)
(**) Term: **15 Years**
(21) Appl. No.: **29/576,663**
(22) Filed: **Sep. 6, 2016**
(51) **LOC (11) Cl.** **21-01**
(52) **U.S. Cl.**
USPC **D21/491**
(58) **Field of Classification Search**
USPC D21/404, 478, 479, 484, 485-505;
446/69, 85, 102-128
CPC A63H 33/00; A63H 33/04; A63H 33/046;
A63H 33/06; A63H 33/08; A63H 33/10;
A63H 33/12; A63H 33/14; A63H 33/26;
A63F 2009/1212; A63F 9/12
See application file for complete search history.

6,969,294 B2 * 11/2005 Vicentelli A63F 9/34
446/129
D624,605 S * 9/2010 Kichijo D21/501
D676,496 S * 2/2013 Mimlitch, III D21/485
8,371,894 B1 * 2/2013 Rosen A63H 33/086
446/102
D711,974 S * 8/2014 Norman D21/491
D716,879 S * 11/2014 Norman D21/486
9,314,707 B2 * 4/2016 Ornstein A63H 33/046
D771,752 S * 11/2016 Henkin D21/404
D784,938 S * 4/2017 Wang D13/183
D789,312 S * 6/2017 Wang D13/183
D809,988 S * 2/2018 Angel D12/217

(Continued)

OTHER PUBLICATIONS

Magnetic Stick N Stack Award Winning Shape Mags 48 piece Fence set including 5 different Gates, reviewed on Amazon Nov. 12, 2015 [online], [site visited Jul. 8, 2018]. Available from internet: <URL: <https://www.amazon.com/Magnetic-Stick-Stack-including-different/dp/B016DQ3M90/>>.*

Primary Examiner — Cynthia M. Chin
(74) *Attorney, Agent, or Firm* — Clement Cheng

(56) **References Cited**

U.S. PATENT DOCUMENTS

D226,120 S * 1/1973 Ogsbury et al. D21/491
D233,678 S * 11/1974 Harvey D21/491
D249,976 S * 10/1978 Gronert D21/491
D313,436 S * 1/1991 Erickson D21/489
D317,022 S * 5/1991 Muller D21/491
5,021,021 A * 6/1991 Ballard A63H 33/046
335/285
5,030,158 A * 7/1991 Gal A63H 33/042
359/896
5,100,142 A * 3/1992 Cannata A63F 9/0819
273/153 S
D404,090 S * 1/1999 Glickman D21/491
5,895,045 A * 4/1999 Vilar A63H 33/06
273/160
D422,035 S * 3/2000 Cyrus D21/491
D437,423 S * 2/2001 Lin D25/114
D467,286 S * 12/2002 Haas D21/489
D501,895 S * 2/2005 Lennon D21/479

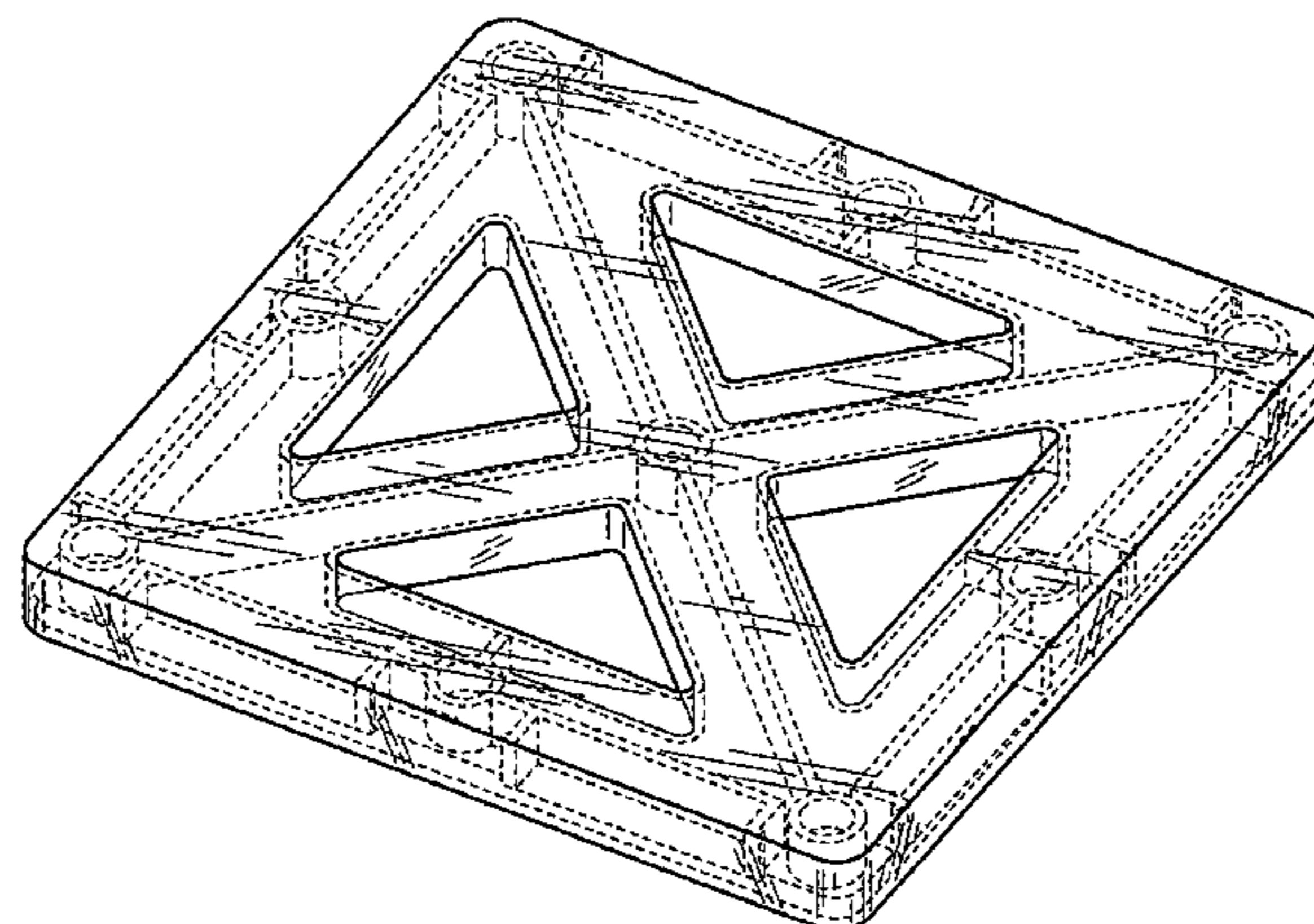
(57) **CLAIM**

The ornamental design for an X-brick, as shown and described.

DESCRIPTION

FIG. 1 is a perspective view.
FIG. 2 is a front view.
FIG. 3 is a rear view.
FIG. 4 is a left side view;
FIG. 5 is a right side view.
FIG. 6 is a top view; and,
FIG. 7 is a bottom view.
The broken lines are for the purpose of illustrating portions of the article that form no part of the claim.

1 Claim, 3 Drawing Sheets



(56)

References Cited

U.S. PATENT DOCUMENTS

2014/0179194	A1 *	6/2014	Fein	A63H 33/046 446/92
2014/0227934	A1 *	8/2014	Rudisill	A63H 33/046 446/92
2014/0349544	A1 *	11/2014	Chien	A63H 33/042 446/91
2015/0072587	A1 *	3/2015	Ornstein	A63H 33/046 446/92
2015/0231521	A1 *	8/2015	Peterson	A63H 33/046 446/92

* cited by examiner

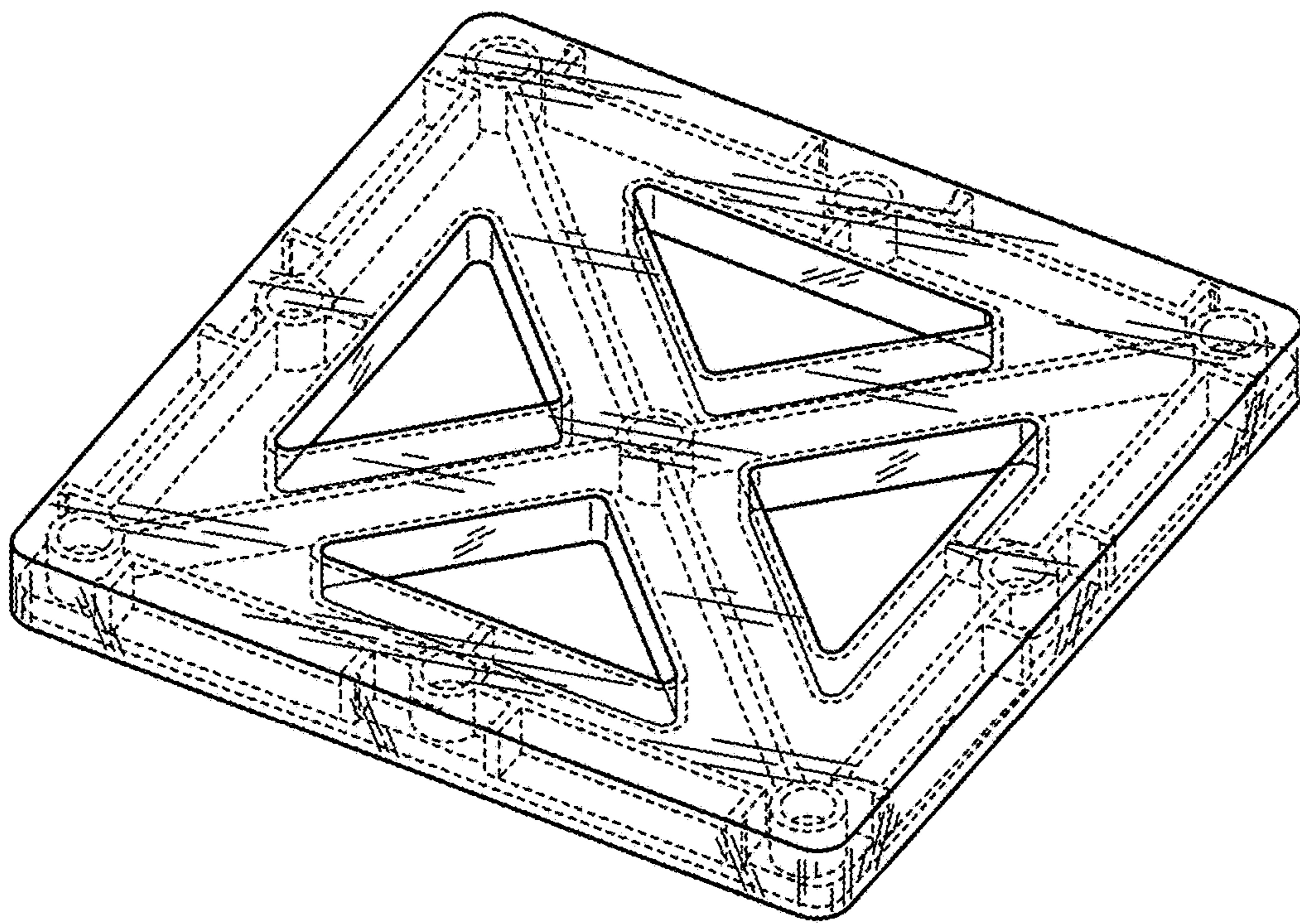


FIG. 1

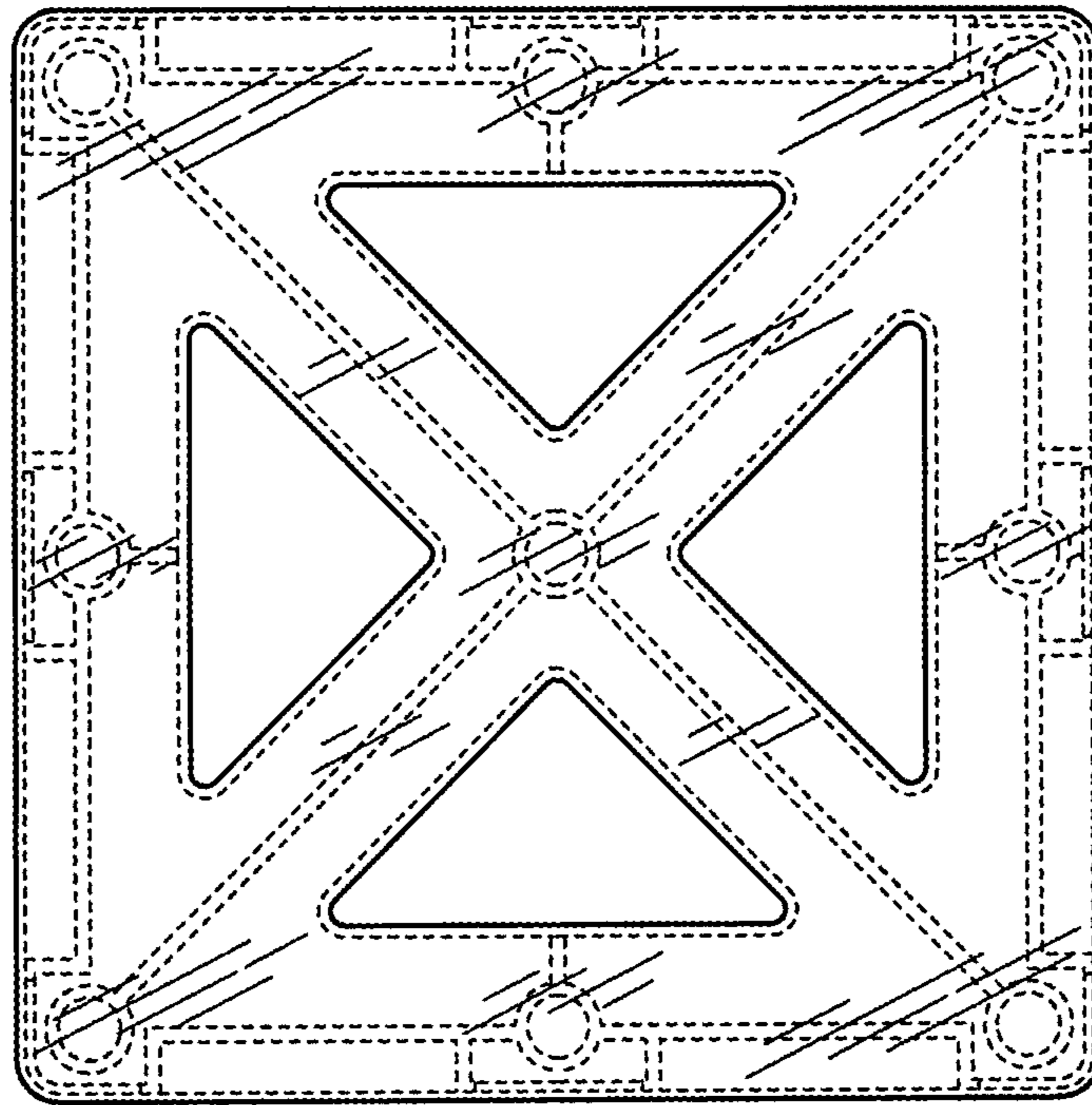


FIG. 2

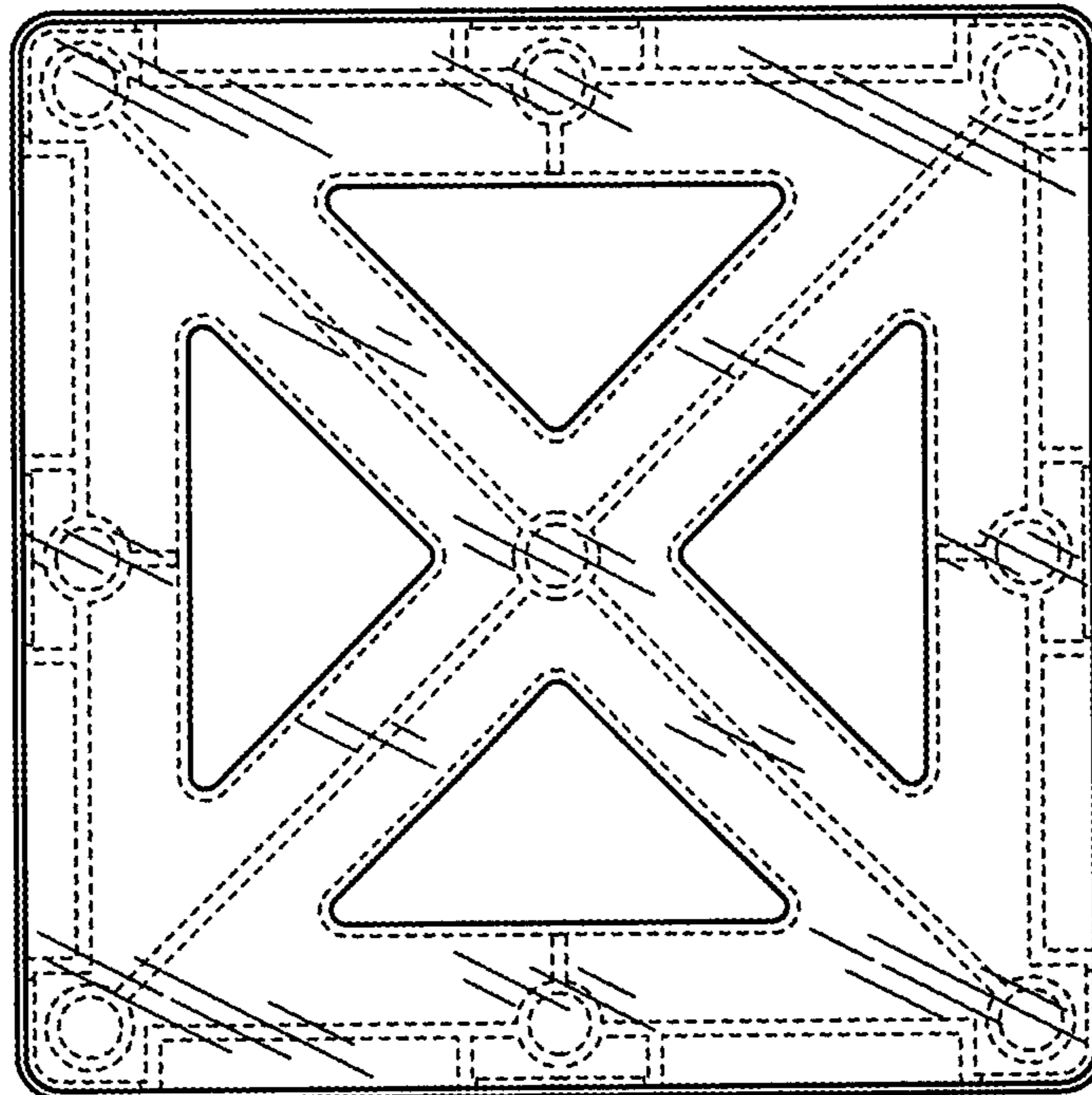


FIG. 3



FIG. 4



FIG. 5

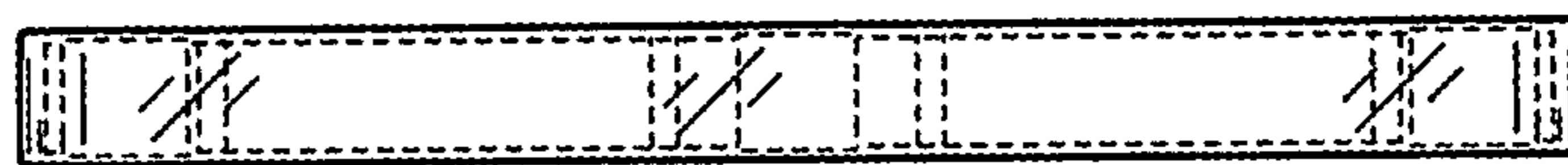


FIG. 6

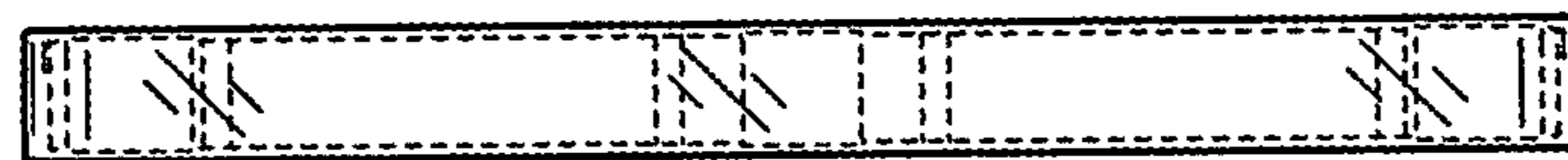


FIG. 7