



US00D831126S

(12) **United States Design Patent** (10) **Patent No.:** **US D831,126 S**
Goodman-Pollack (45) **Date of Patent:** **** Oct. 16, 2018**

(54) **COMBINED BALLOON CUP AND STICK**

5,295,891 A * 3/1994 Schalk A63H 27/10
362/806
5,395,276 A * 3/1995 Valentino A63H 27/10
446/217
D360,844 S * 8/1995 Miller D10/110
5,444,607 A * 8/1995 Dreyfuss A63H 27/10
362/157

(71) Applicant: **Creative Balloons Mfg. Inc.,**
Carmel-By-The-Sea, CA (US)

(72) Inventor: **Suzy Goodman-Pollack,**
Carmel-By-The-Sea, CA (US)

(73) Assignee: **Creative Baloons Mfg. Inc.,**
Carmel-By-The-Sea, CA (US)

(**) Term: **15 Years**

(21) Appl. No.: **29/608,342**

(22) Filed: **Jun. 21, 2017**

(51) **LOC (11) Cl.** **21-01**

(52) **U.S. Cl.**
USPC **D21/453**

(58) **Field of Classification Search**
USPC D21/437-454; D12/16.1, 319-345
CPC A63H 27/10; G09F 21/06
See application file for complete search history.

(56) **References Cited**

U.S. PATENT DOCUMENTS

2,840,948 A * 7/1958 Stickley A63H 27/10
446/223
4,661,081 A * 4/1987 Basseches A63H 27/10
446/220
4,715,841 A * 12/1987 Nelson A63H 27/10
24/545
4,729,749 A * 3/1988 Milne A63H 27/10
428/24
4,798,554 A * 1/1989 Nelson A63H 27/10
446/220
4,837,059 A * 6/1989 Milne A63H 27/10
428/12
D303,274 S * 9/1989 Stevens D21/453
D329,261 S * 9/1992 Pollack D21/440
5,203,530 A * 4/1993 Liu A63H 27/10
248/309.1

(Continued)

OTHER PUBLICATIONS

Balloons and Weights Turquoise Blue E-Z Balloon Cup and E-Z Balloon Stick by Walmart. dated 2018. found online [Jun. 18, 2018] <https://www.walmart.com/ip/Balloons-and-Weights-Turquoise-Blue-E-Z-Balloon-Cup-and-E-Z-Balloon-Stick-Holders-250-Piece/40268272>.*

Primary Examiner — Brandon M Rosati

Assistant Examiner — Marissa J Cash

(74) *Attorney, Agent, or Firm* — Fay Sharpe LLP

(57) **CLAIM**

The ornamental design for a combined balloon cup and stick, as shown and described.

DESCRIPTION

FIG. 1 is a side plan view of a combined balloon cup and stick of the present application;

FIG. 2 is a side perspective view thereof;

FIG. 3 is a second side plan view thereof;

FIG. 4 is a top plan view thereof;

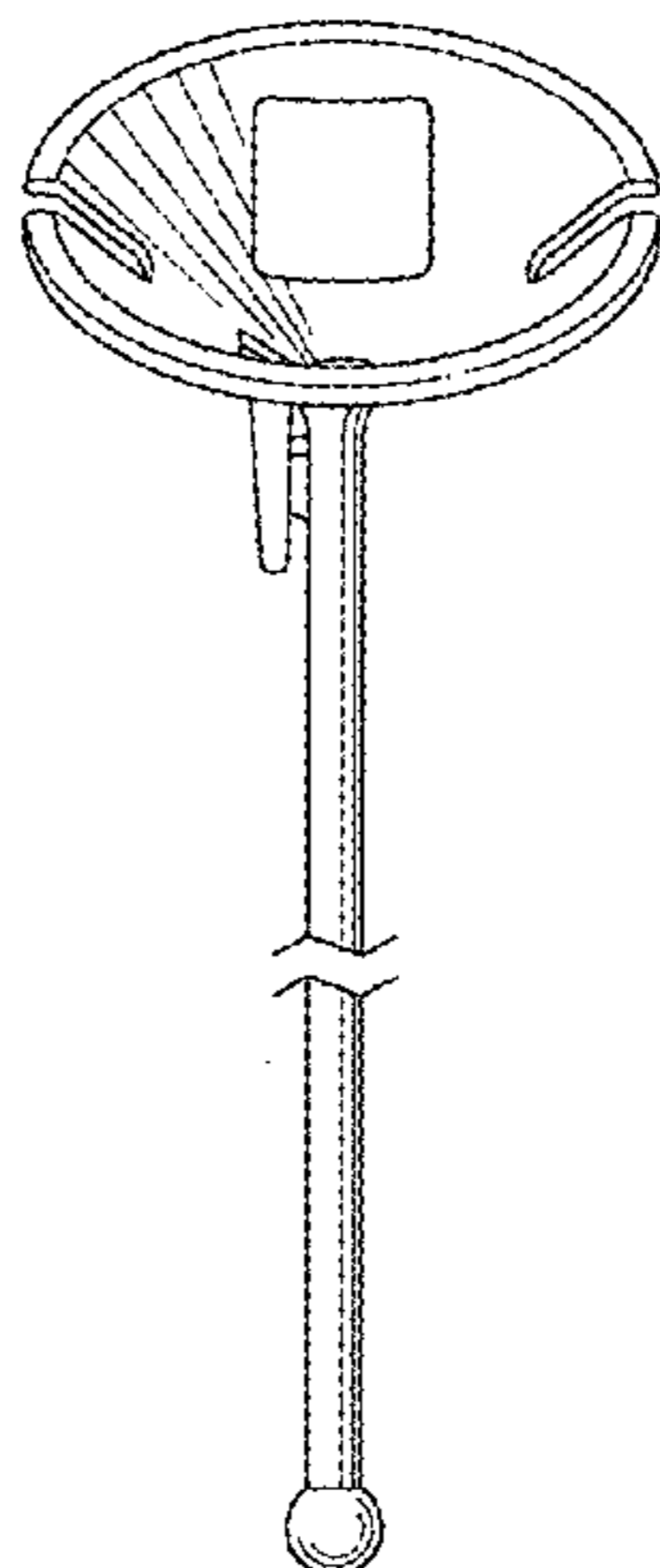
FIG. 5 is a side plan view thereof;

FIG. 6 is a back plan view thereof; and,

FIG. 7 is a bottom plan view thereof.

The broken lines shown in FIG. 1 form no part of the claimed combined balloon cup and stick and are included for the purpose of illustrating environment only; The combined balloon cup and stick is shown with a symbolic break in its length. The appearance of any portion of the article between the break lines forms no part of the claimed design.

1 Claim, 4 Drawing Sheets



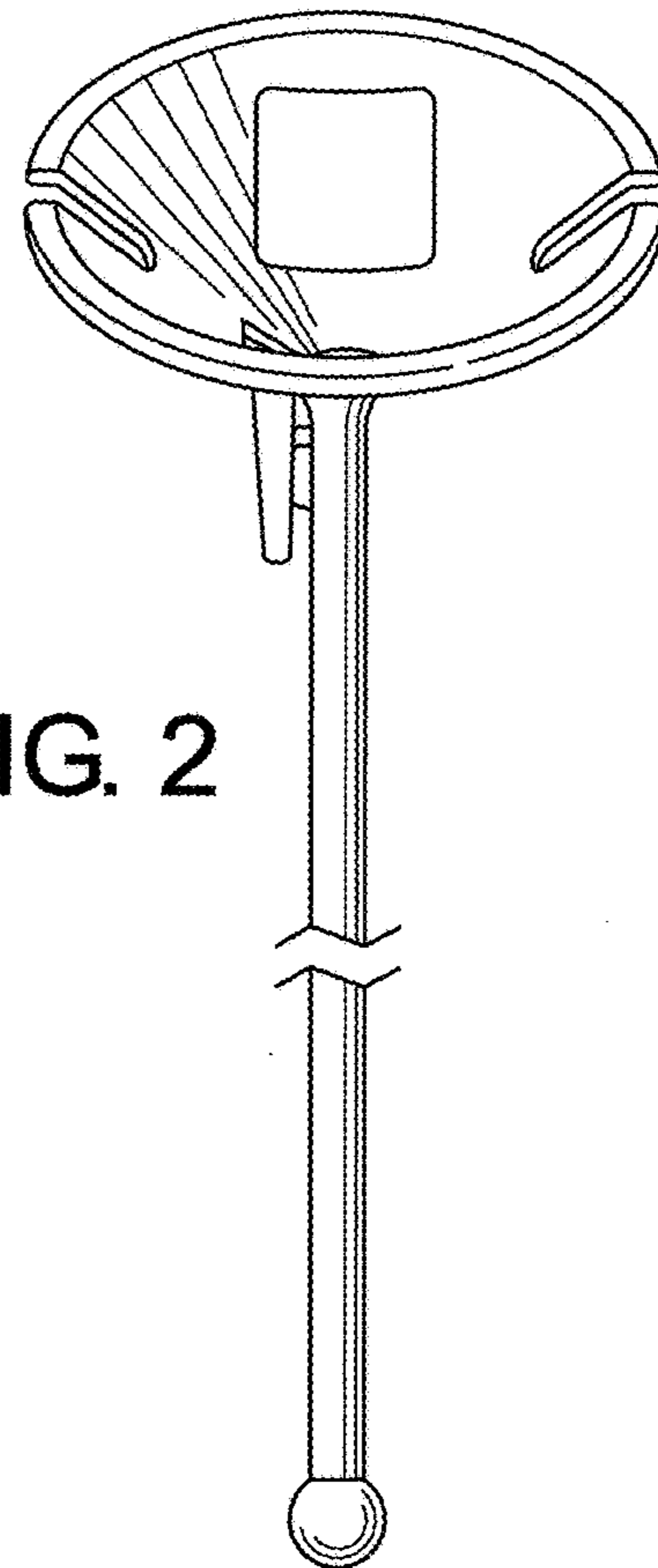
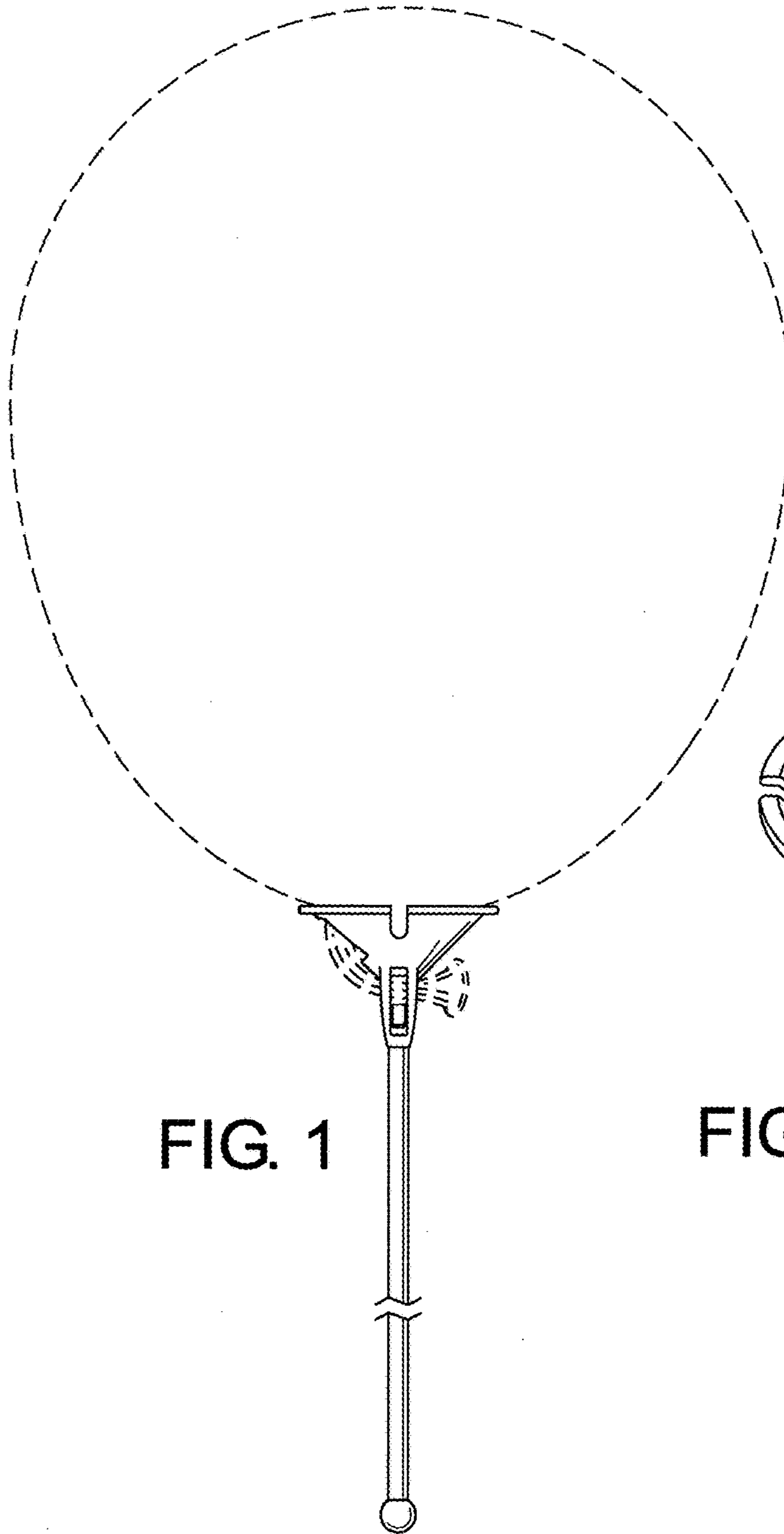
(56)

References Cited

U.S. PATENT DOCUMENTS

6,375,534 B1 * 4/2002 Burns A63H 27/10
40/212
6,969,295 B1 * 11/2005 Sidwell A63H 27/10
446/220
D517,123 S * 3/2006 Sidwell D20/42
D529,102 S * 9/2006 Sidwell D20/43
7,588,477 B2 * 9/2009 Sidwell A63H 27/10
446/220
RE41,056 E * 12/2009 Sidwell D20/43
D628,659 S * 12/2010 Burns D21/453
RE42,874 E * 11/2011 Sidwell D20/40
D657,002 S * 4/2012 Pollack D21/453
D659,200 S * 5/2012 Wicken D21/440
D696,731 S * 12/2013 Nelson D21/453
9,679,504 B1 * 6/2017 Wicken G09F 21/06
9,833,722 B2 * 12/2017 Wicken A63H 27/10
D813,316 S * 3/2018 Wicken D21/453
2017/0319976 A1 * 11/2017 Nelson A63H 27/10

* cited by examiner



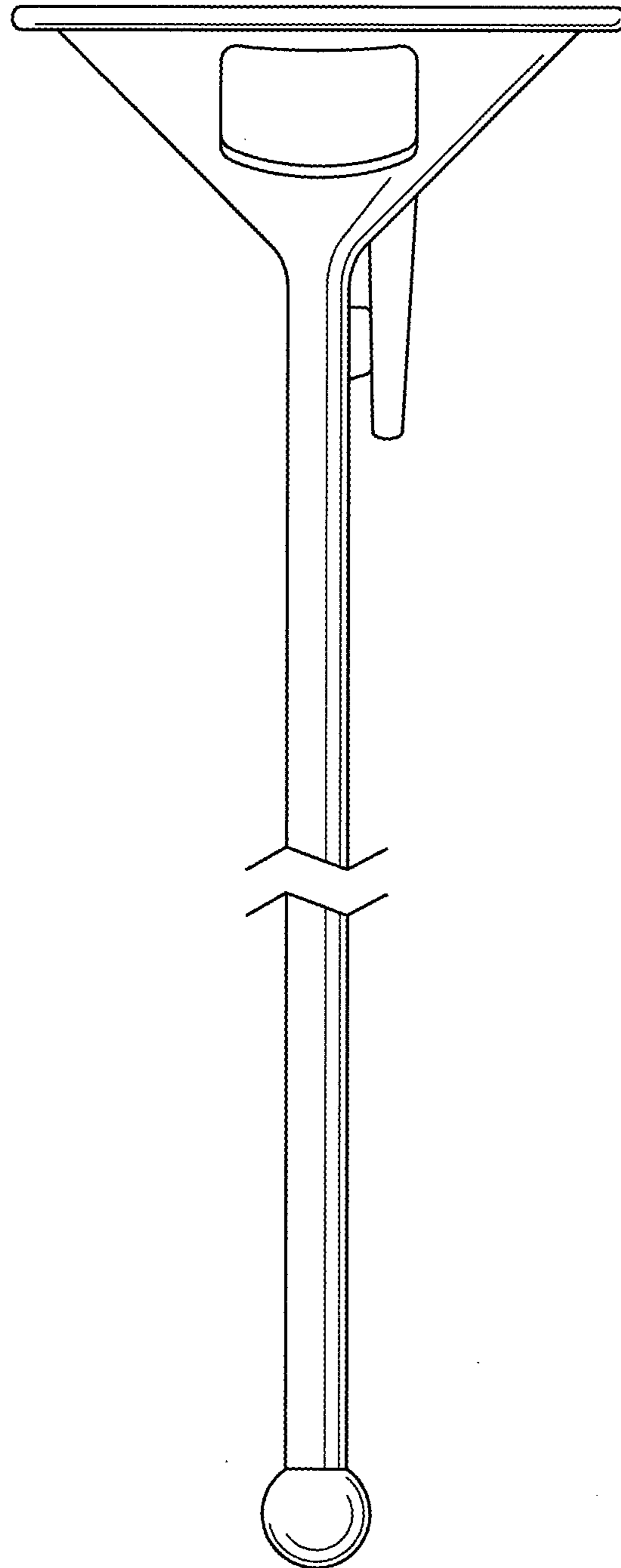


FIG. 3

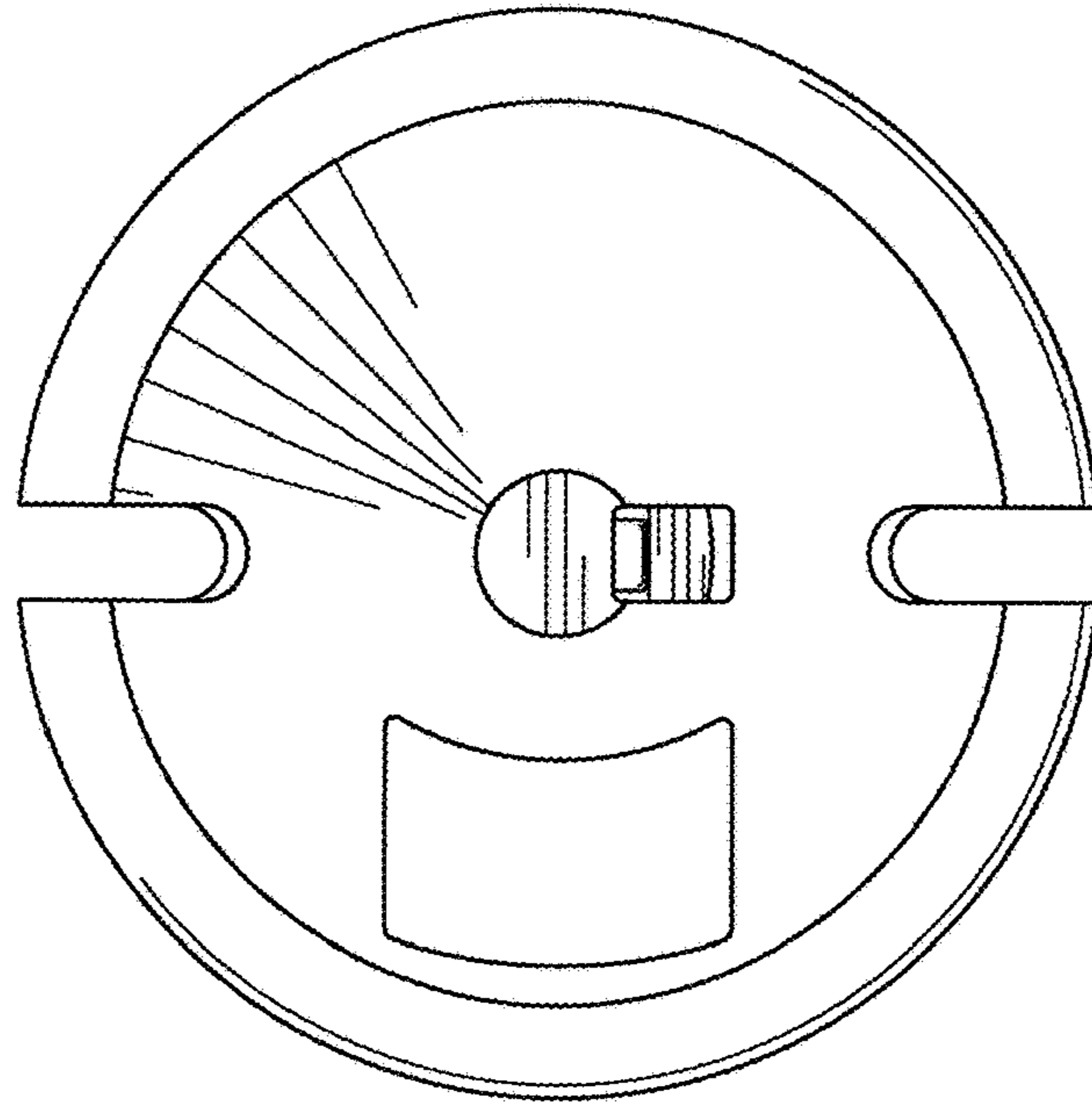


FIG. 4

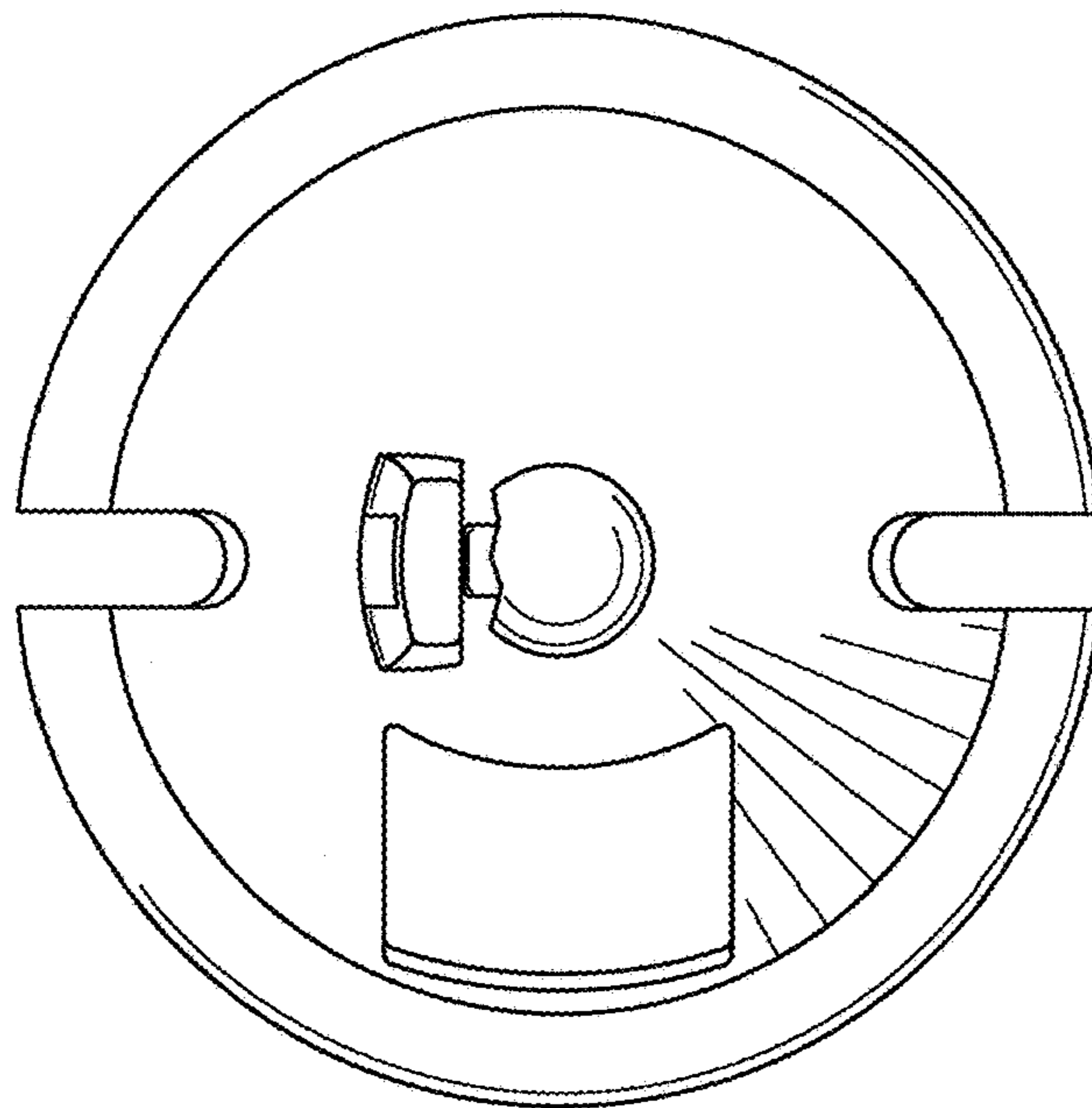


FIG. 7

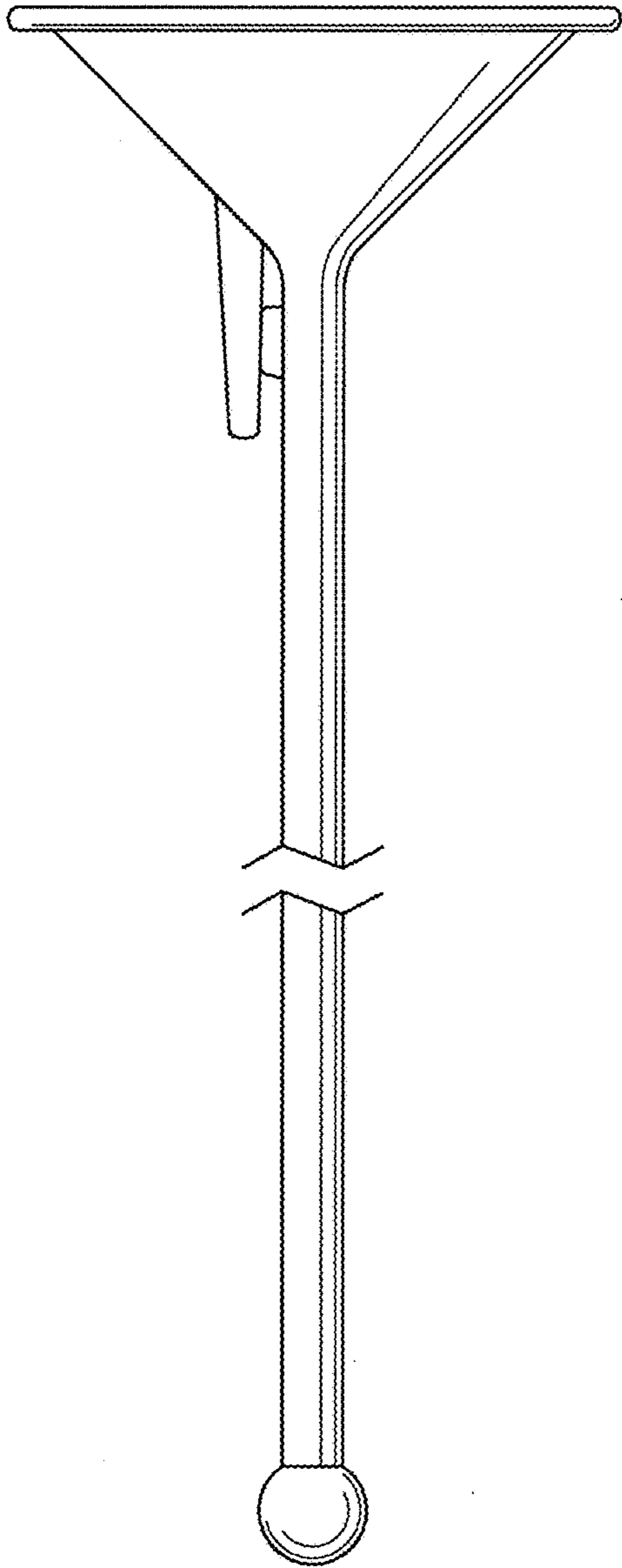


FIG. 5

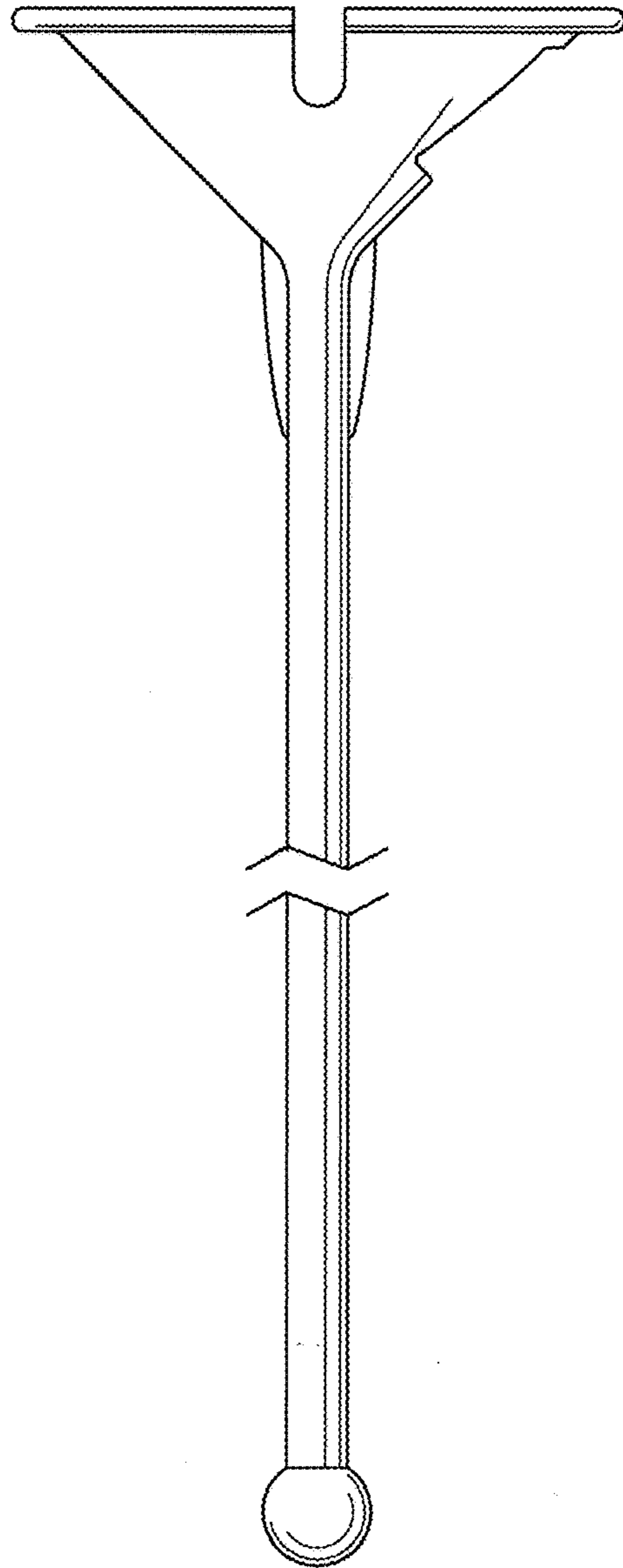


FIG. 6