



US00D831125S

(12) **United States Design Patent** (10) **Patent No.:** **US D831,125 S**
Khachaturian (45) **Date of Patent:** **** Oct. 16, 2018**

(54) **TOY GLIDER**
(71) Applicant: **Benjamin Khachaturian**, Champaign, IL (US)
(72) Inventor: **Benjamin Khachaturian**, Champaign, IL (US)
(**) Term: **15 Years**
(21) Appl. No.: **29/602,911**
(22) Filed: **May 4, 2017**
(51) **LOC (11) Cl.** **21-01**
(52) **U.S. Cl.**
USPC **D21/445**
(58) **Field of Classification Search**
USPC D21/437-454; D12/16.1, 319-345
CPC B64C 31/06; B64C 27/52; B64C 31/02
See application file for complete search history.

D307,773 S * 5/1990 Colton D21/447
5,078,636 A 1/1992 Clarke et al.
5,669,803 A 9/1997 Sweed
5,846,111 A 12/1998 Grimsel
6,056,616 A 5/2000 Bushman
D443,902 S * 6/2001 Wang D21/445
6,454,623 B1 9/2002 Flatau
6,568,980 B2 5/2003 Barthold
6,607,162 B2 8/2003 Warsop et al.
D513,281 S * 12/2005 Tabor D21/445
D769,985 S * 10/2016 Roberts D20/18
2007/0120017 A1* 5/2007 Webb A63H 27/08
244/153 R
2015/0251755 A1* 9/2015 Schaefer B64C 39/022
290/55

* cited by examiner

Primary Examiner — Brandon M Rosati
Assistant Examiner — Marissa J Cash
(74) *Attorney, Agent, or Firm* — Garvey, Smith & Nehrass, Patent Attorneys, L.L.C.; Charles C. Garvey, Jr.; Vanessa M. D'Souza

(56) **References Cited**
U.S. PATENT DOCUMENTS

1,546,099 A * 7/1925 Myers A63H 27/08
244/154
D83,551 S * 3/1931 Kreft D21/445
D136,018 S * 7/1943 Sauls D21/445
D141,748 S * 7/1945 Bloom D21/454
D177,577 S * 5/1956 Martin 244/153 A
D185,749 S * 7/1959 Gossett 244/153 R
D189,458 S * 12/1960 Jordan D21/445
3,017,139 A 1/1962 Binder
3,065,929 A 11/1962 Holland, Jr.
3,154,269 A 10/1964 Musil
D233,544 S * 11/1974 Christoffel D21/445
3,903,639 A 9/1975 Howell
3,946,519 A 3/1976 Vadik et al.
3,967,798 A * 7/1976 Christoffel, Jr. A63H 27/08
244/153 R
4,248,007 A 2/1981 Gamburd
4,257,187 A 3/1981 Waters

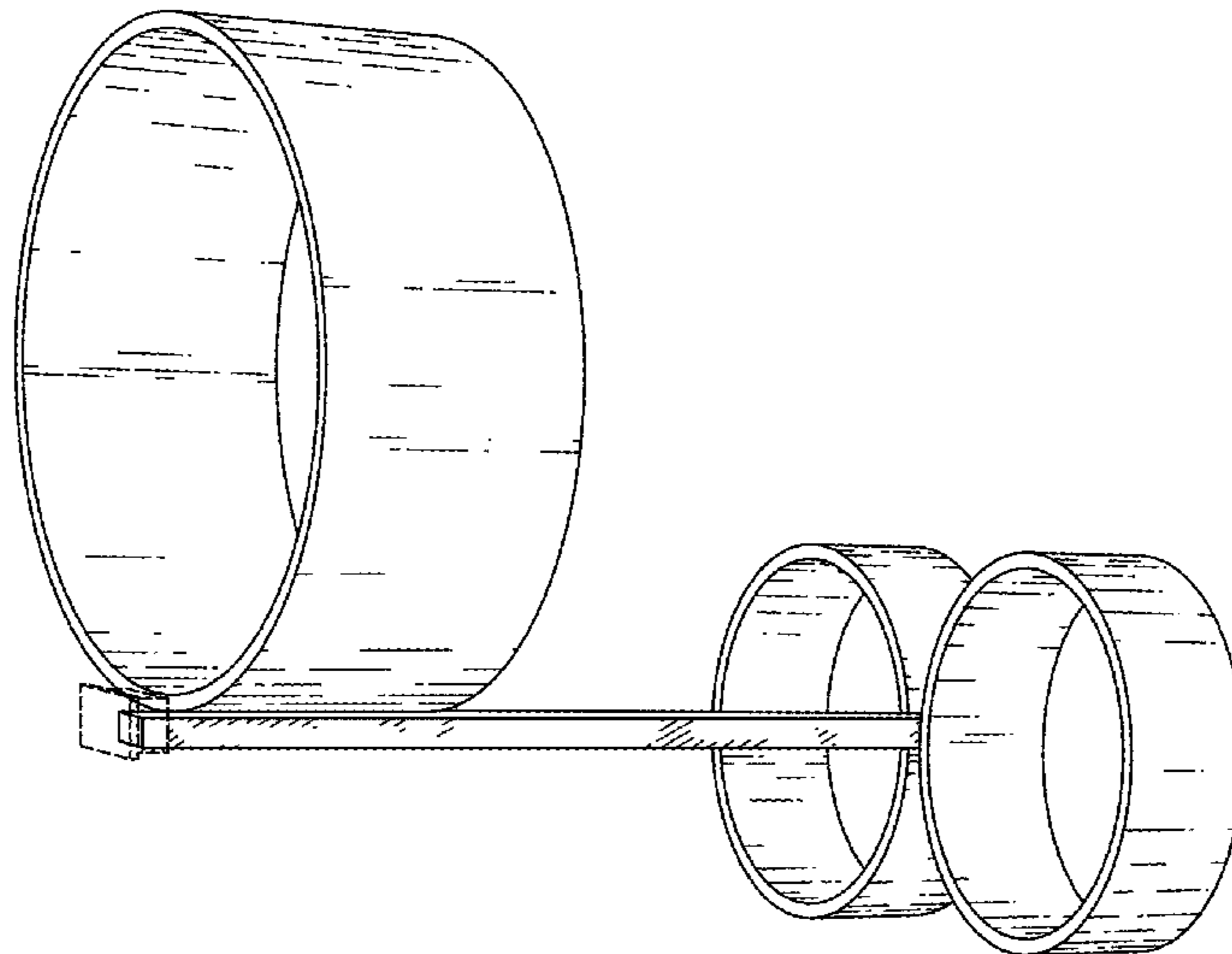
(57) **CLAIM**

The ornamental design for a toy glider, as shown and described.

DESCRIPTION

FIG. 1 is a perspective view, showing the design of a toy glider;
FIG. 2 is a left side view thereof;
FIG. 3 is a right side view thereof;
FIG. 4 is a front end view thereof;
FIG. 5 is a rear end view thereof;
FIG. 6 is a top view thereof; and,
FIG. 7 is a bottom view thereof.
The nose cone shown in broken lines is environment that forms no part of the claimed design.

1 Claim, 4 Drawing Sheets



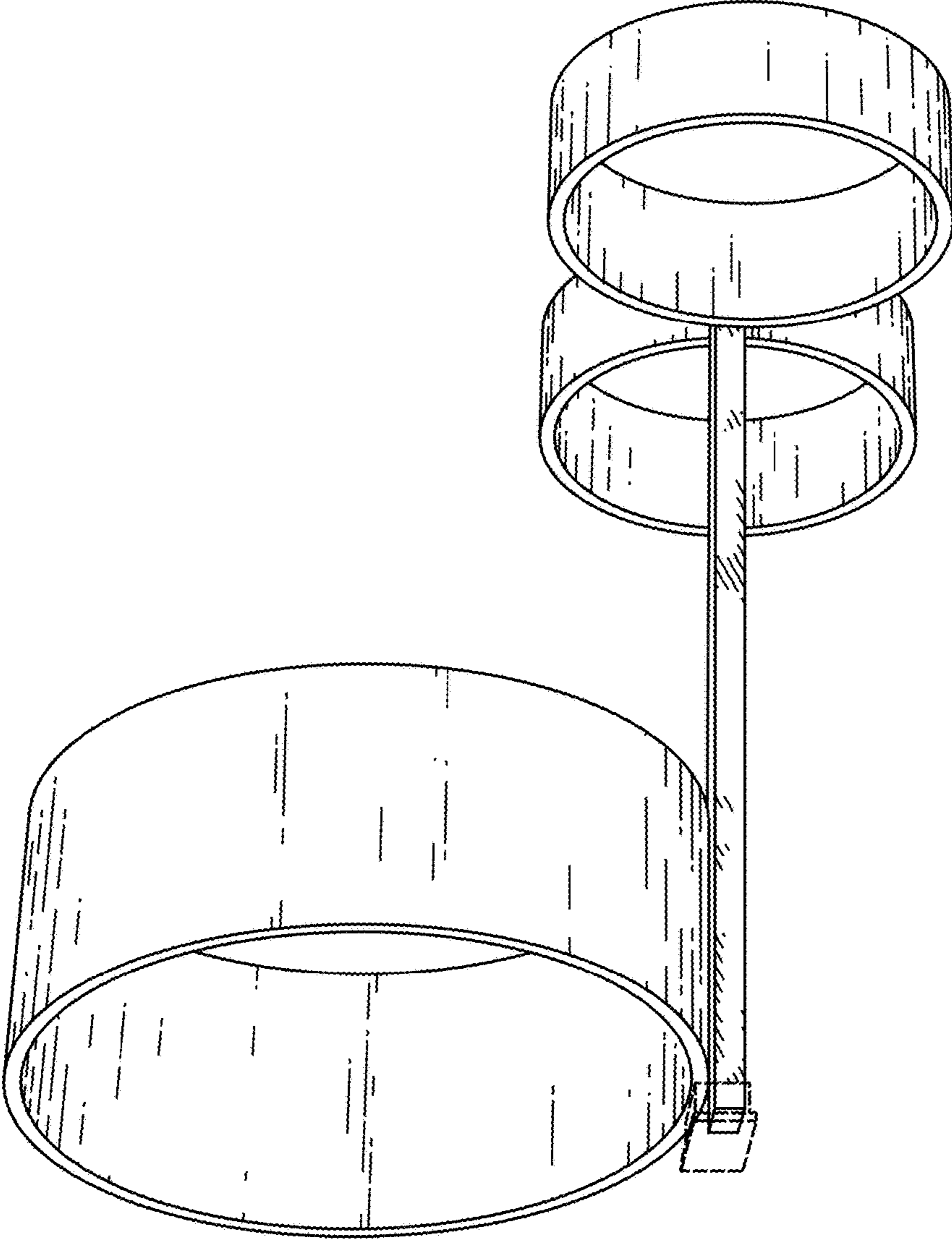


FIG. 1

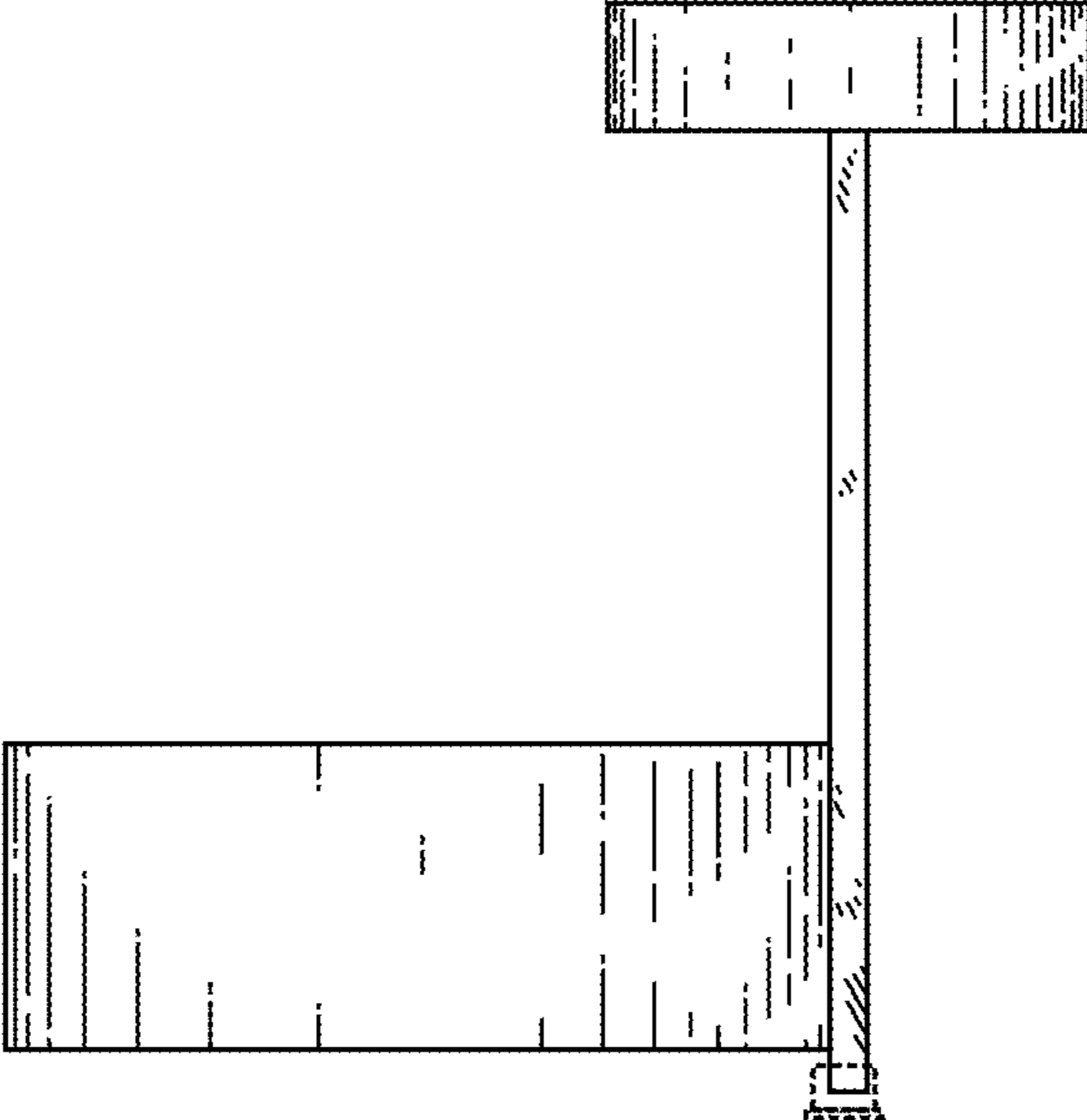


FIG. 2

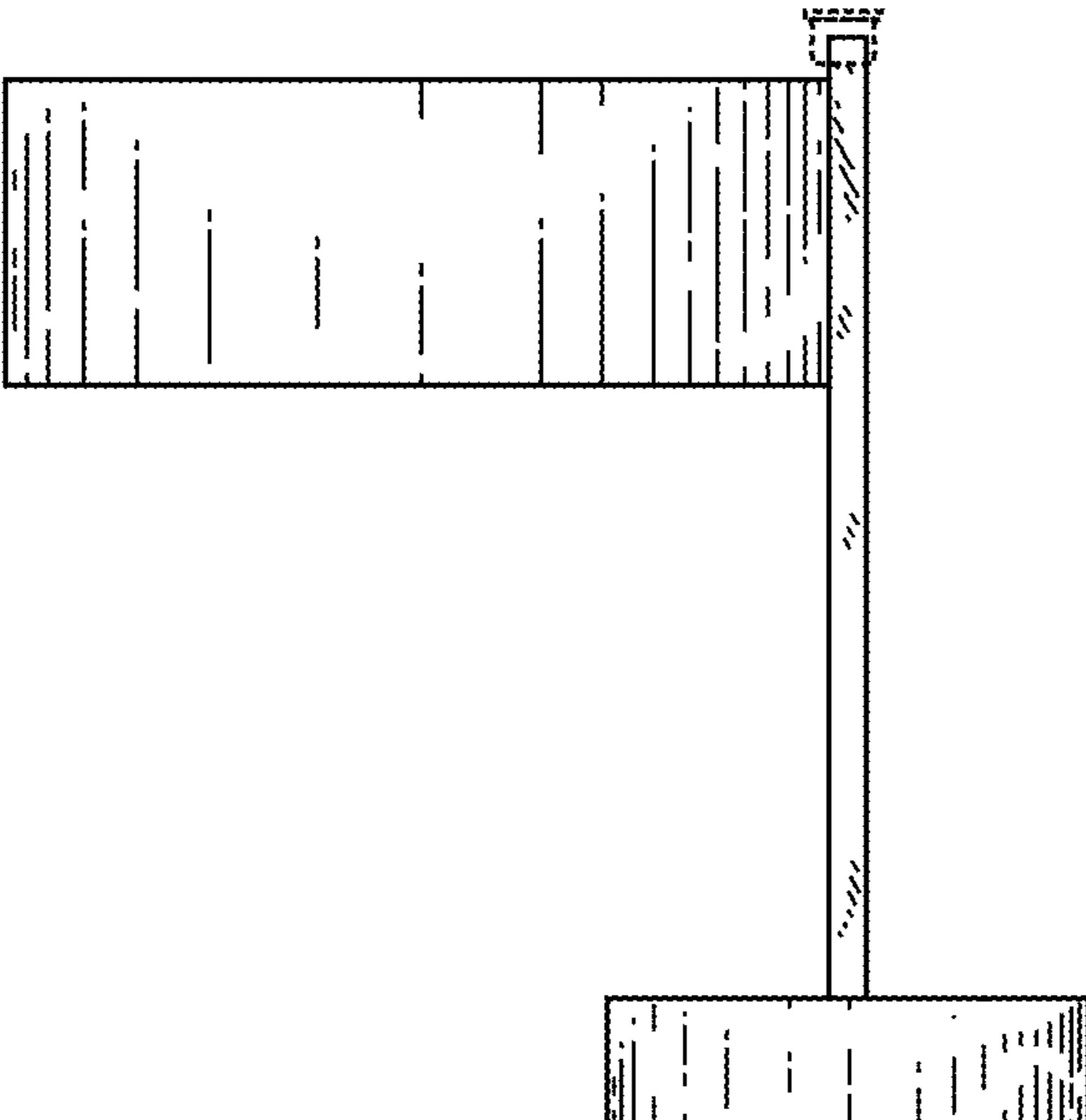


FIG. 3

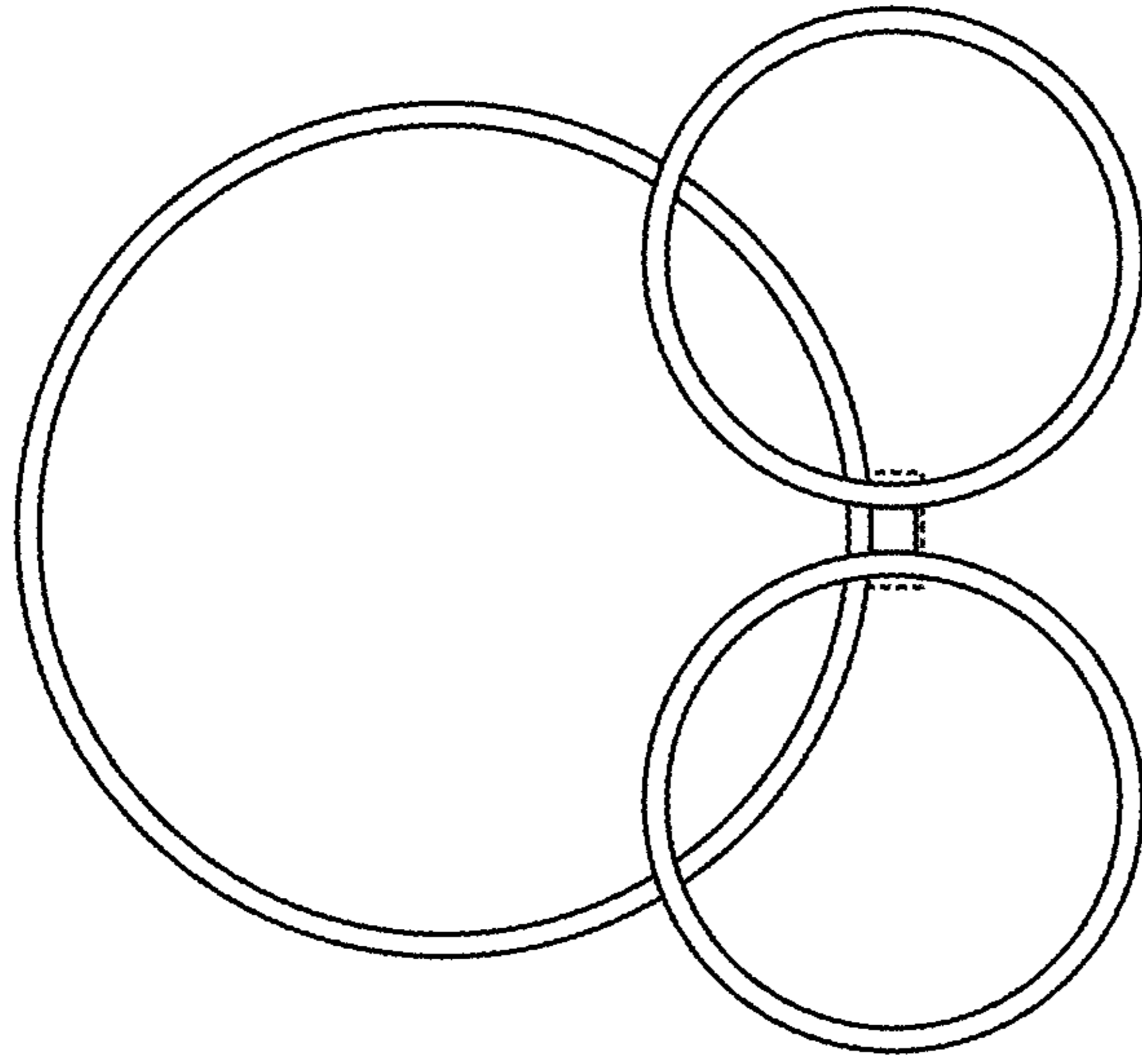


FIG. 4

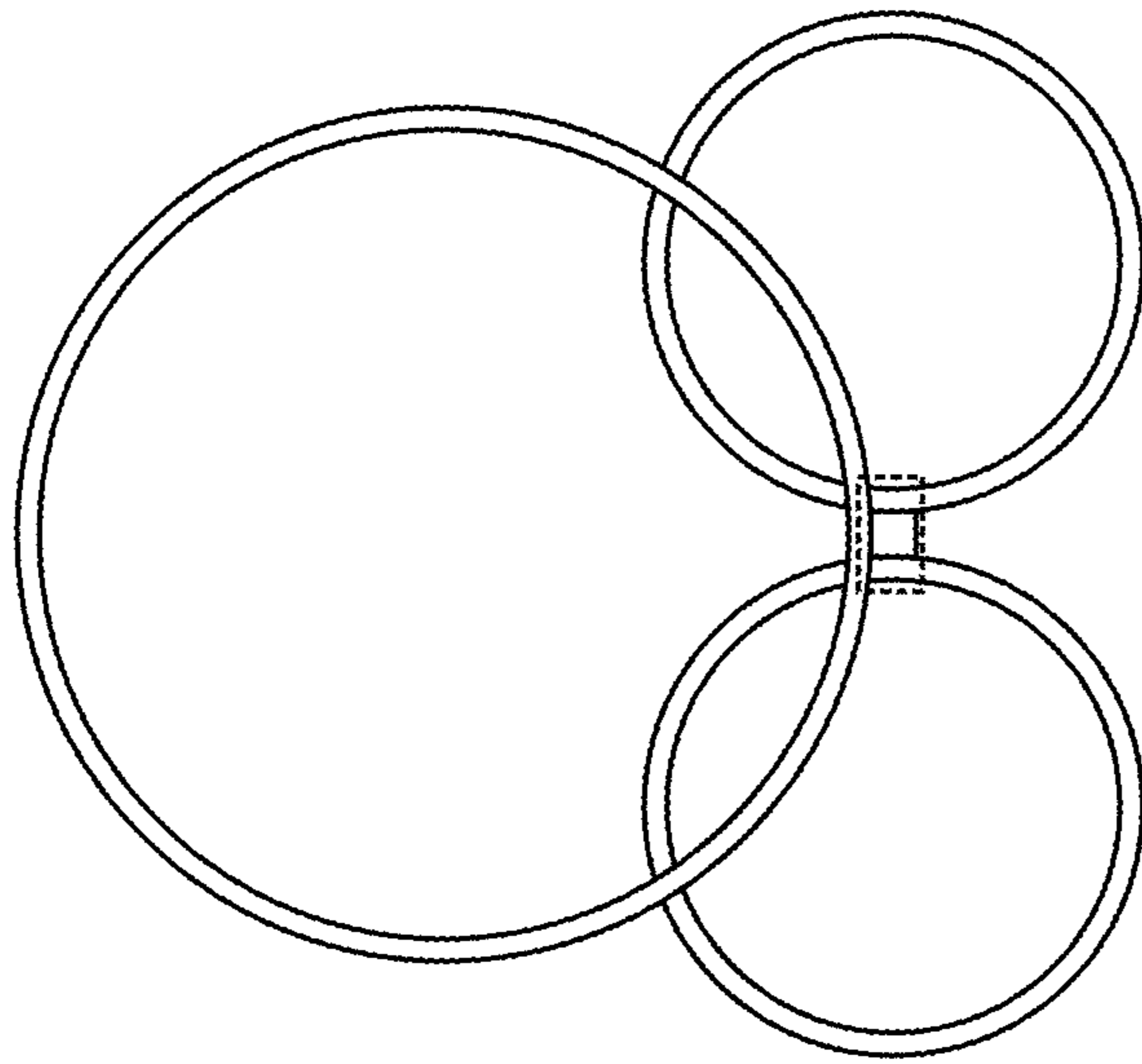


FIG. 5

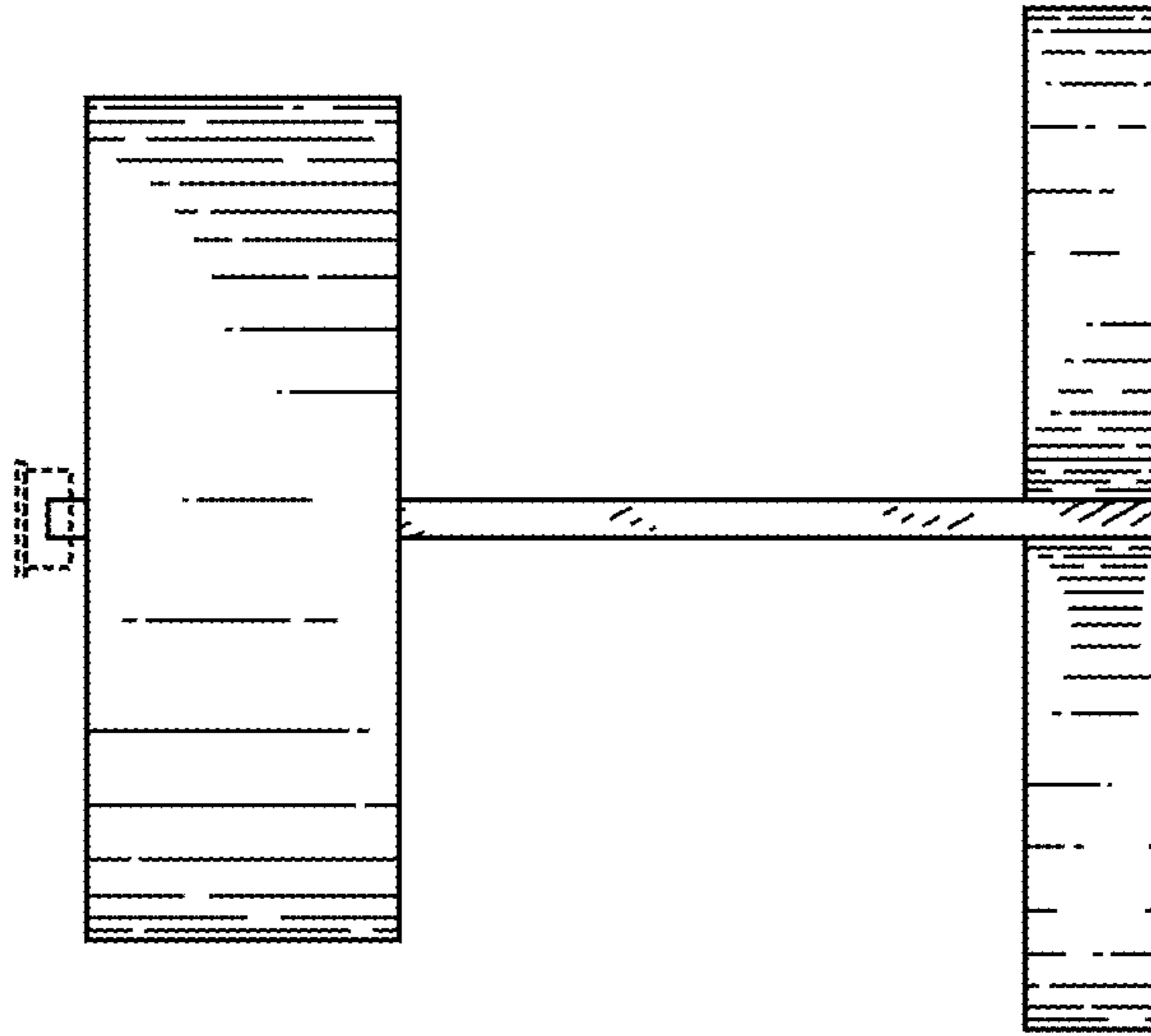


FIG. 6

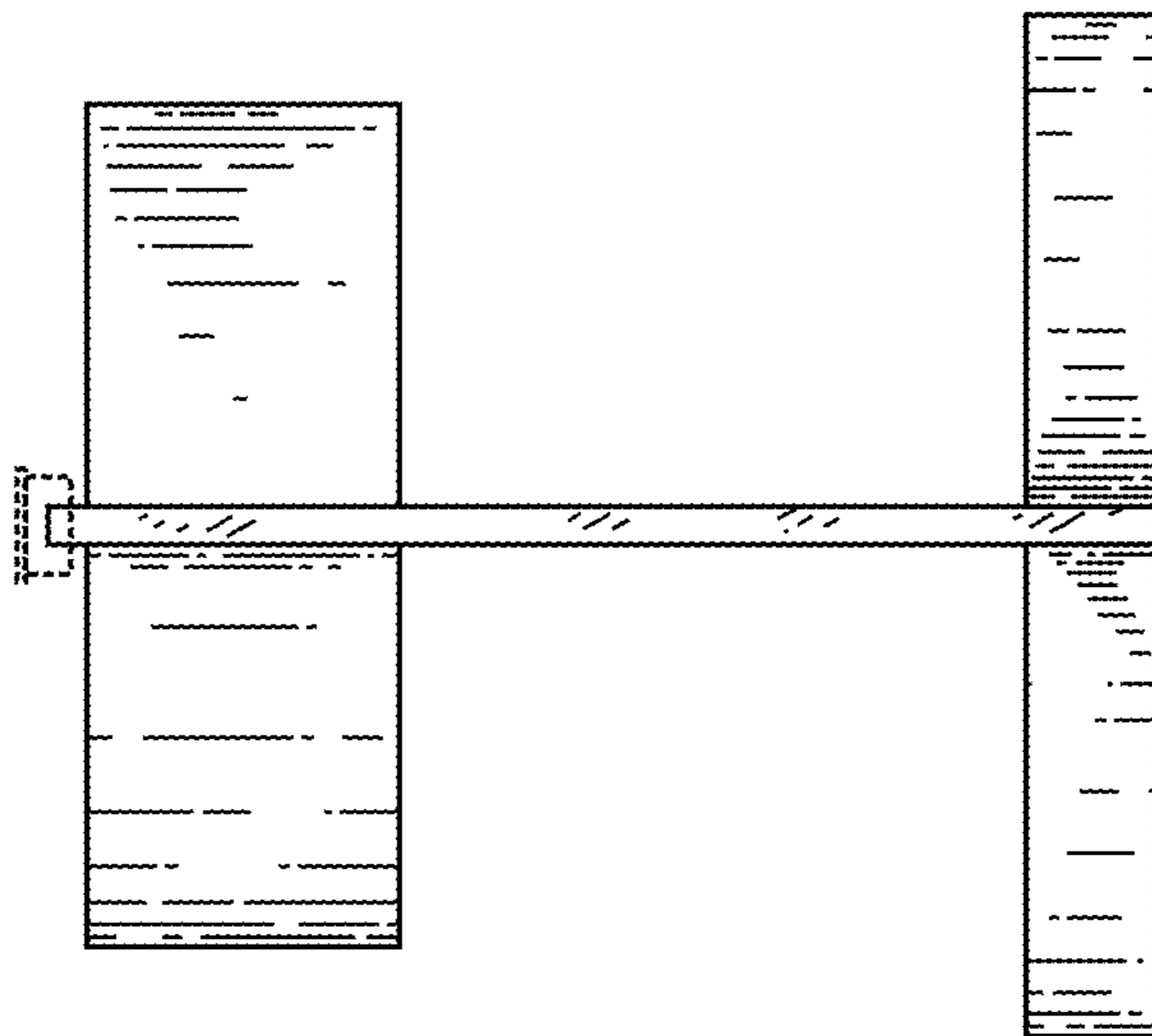


FIG. 7