



US00D831124S

(12) **United States Design Patent** (10) **Patent No.:** **US D831,124 S**
Treat et al. (45) **Date of Patent:** **** Oct. 16, 2018**

(54) **WIND ENERGY KITE TAIL**
(71) Applicant: **X Development LLC**, Mountain View, CA (US)
(72) Inventors: **Nathan Treat**, Alameda, CA (US); **Thomas Van Alsenoy**, Alameda, CA (US); **Jérôme Sicard**, Oakland, CA (US); **Campbell McLaren**, Alameda, CA (US)
(73) Assignee: **X Development LLC**, Mountain View, CA (US)

(**) Term: **15 Years**

(21) Appl. No.: **29/584,691**

(22) Filed: **Nov. 16, 2016**

(51) **LOC (11) Cl.** **21-01**

(52) **U.S. Cl.**
USPC **D21/445**

(58) **Field of Classification Search**
USPC D21/437-454; D12/16.1, 319-345
CPC B64C 31/06; B64C 27/52
See application file for complete search history.

(56) **References Cited**

U.S. PATENT DOCUMENTS

D148,421 S *	1/1948	Johnson	D21/449
D150,672 S *	8/1948	Beck	244/74
D156,753 S *	1/1950	Miller	244/45 R
D157,946 S *	4/1950	Ebel et al.	244/13
D201,892 S *	8/1965	Katz	D21/450
D245,637 S *	8/1977	Jewett	D21/450
D278,837 S *	5/1985	Ninomiya	D21/449
D316,578 S *	4/1991	Kovats	D21/445
5,035,382 A *	7/1991	Lissaman	A63H 27/00 244/120
D325,940 S *	5/1992	Ninomiya	D21/449
D392,937 S *	3/1998	Brichard	D12/319
5,749,761 A *	5/1998	Kim	A63H 29/18 446/44

D406,618 S *	3/1999	Harada	D21/450
D430,529 S *	9/2000	Hajek	D12/319
6,520,823 B2 *	2/2003	Tian	A63H 27/02 446/454
D495,376 S *	8/2004	Zee	D21/450

(Continued)

Primary Examiner — Brandon M Rosati
Assistant Examiner — Marissa J Cash
(74) *Attorney, Agent, or Firm* — McDonnell Boehnen Hulbert & Berghoff LLP

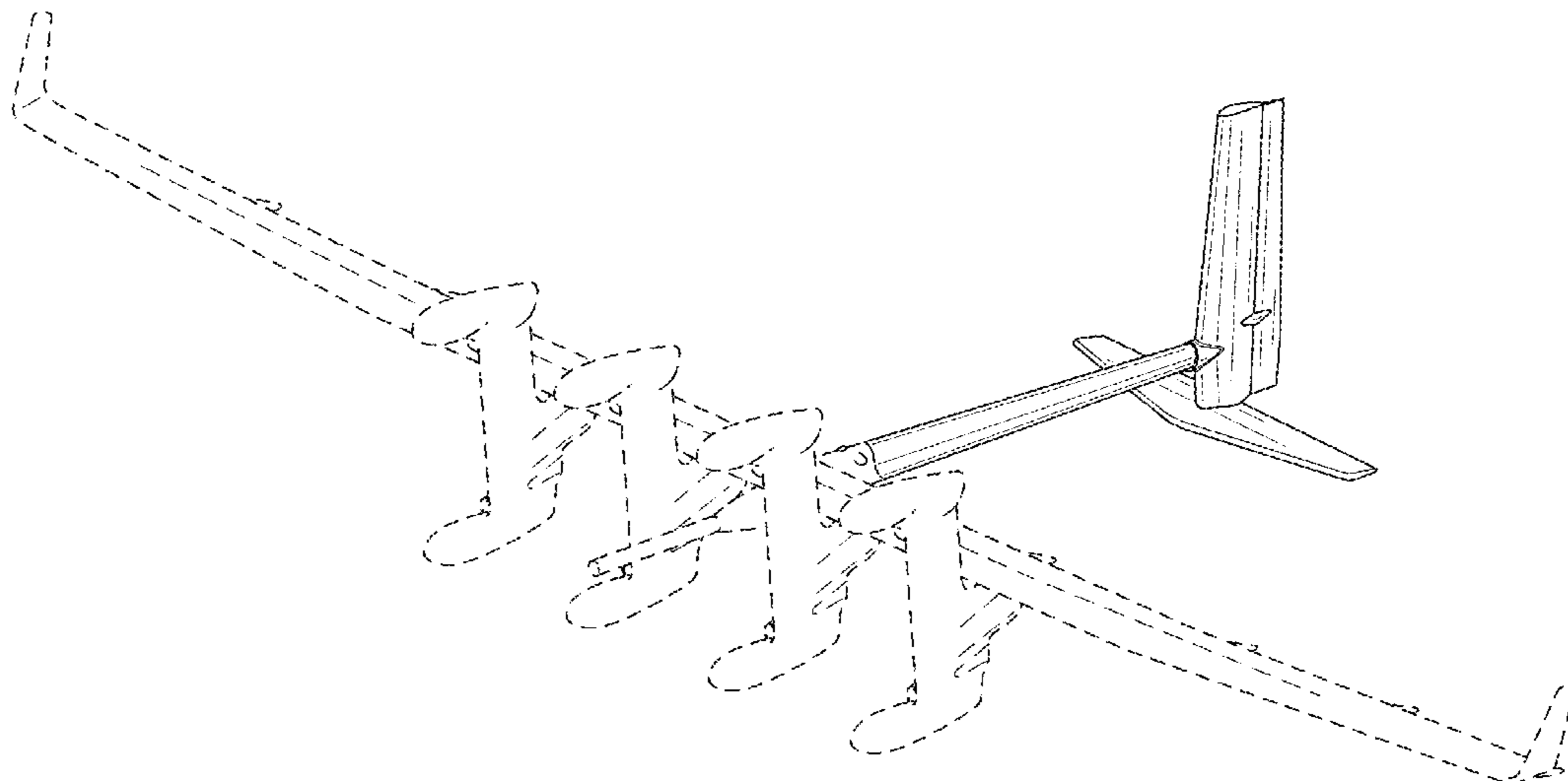
(57) **CLAIM**

The ornamental design for a wind energy kite tail, as shown and described.

DESCRIPTION

FIG. 1 is a perspective view of a wind energy kite tail; FIG. 2 is a further perspective view thereof; FIG. 3 is a front view thereof; FIG. 4 is a rear view thereof; FIG. 5 is a left side view thereof; FIG. 6 is a right side view thereof; FIG. 7 is a top view thereof; FIG. 8 is a bottom view thereof; FIG. 9 is a front view of a first alternative configuration of use; FIG. 10 is a left side view thereof; FIG. 11 is a front view of a second alternative configuration of use; and FIG. 12 is a left side view thereof. FIG. 13 is a front view of a third alternative configuration of use; FIG. 14 is a top view thereof; FIG. 15 is a front view of a fourth alternative configuration of use; and, FIG. 16 is a top view thereof. The broken lines illustrate portions of the wind energy kite tail that form no part of the claimed design.

1 Claim, 16 Drawing Sheets



(56)

References Cited

U.S. PATENT DOCUMENTS

D495,761 S * 9/2004 Darack D12/321
 D496,074 S * 9/2004 Darack D12/321
 D503,437 S * 3/2005 Wang D21/445
 D508,094 S * 8/2005 Khasminsky D12/345
 D543,248 S * 5/2007 Winston D21/450
 D595,210 S * 6/2009 Cazals D12/345
 D595,211 S * 6/2009 Cazals D12/345
 D595,212 S * 6/2009 Cazals D12/345
 D595,634 S * 7/2009 Cazals D12/345
 D596,267 S * 7/2009 Colgren D12/319
 D624,484 S * 9/2010 Saint-Jalmes D12/345
 8,123,162 B2 * 2/2012 Sirkis B64C 39/024
 244/100 A
 D706,678 S * 6/2014 Earon D12/16.1
 D713,320 S * 9/2014 Egan D12/319
 D725,548 S * 3/2015 Herald D12/16.1
 D729,694 S * 5/2015 Earon D12/16.1

D768,539 S * 10/2016 Lee D12/16.1
 D777,059 S * 1/2017 Zhang D12/16.1
 D789,457 S * 6/2017 McCartin D21/453
 9,682,774 B2 * 6/2017 Paduano B64C 27/52
 D798,963 S * 10/2017 Xiao D21/441
 D800,843 S * 10/2017 Sartorius D21/447
 D807,273 S * 1/2018 Koppenwallner D12/337
 D810,653 S * 2/2018 Hu D12/327
 D813,724 S * 3/2018 Hu D12/16.1
 D819,749 S * 6/2018 Caubel D21/449
 2008/0149758 A1 * 6/2008 Colgren B64C 9/02
 244/13
 2011/0186687 A1 * 8/2011 Elder B64C 31/06
 244/155 A
 2015/0266574 A1 * 9/2015 Ruiterkamp F03D 5/00
 244/154
 2015/0336663 A1 * 11/2015 Paduano B64C 29/0033
 244/12.4
 2017/0113778 A1 * 4/2017 Liu B64C 39/024

* cited by examiner

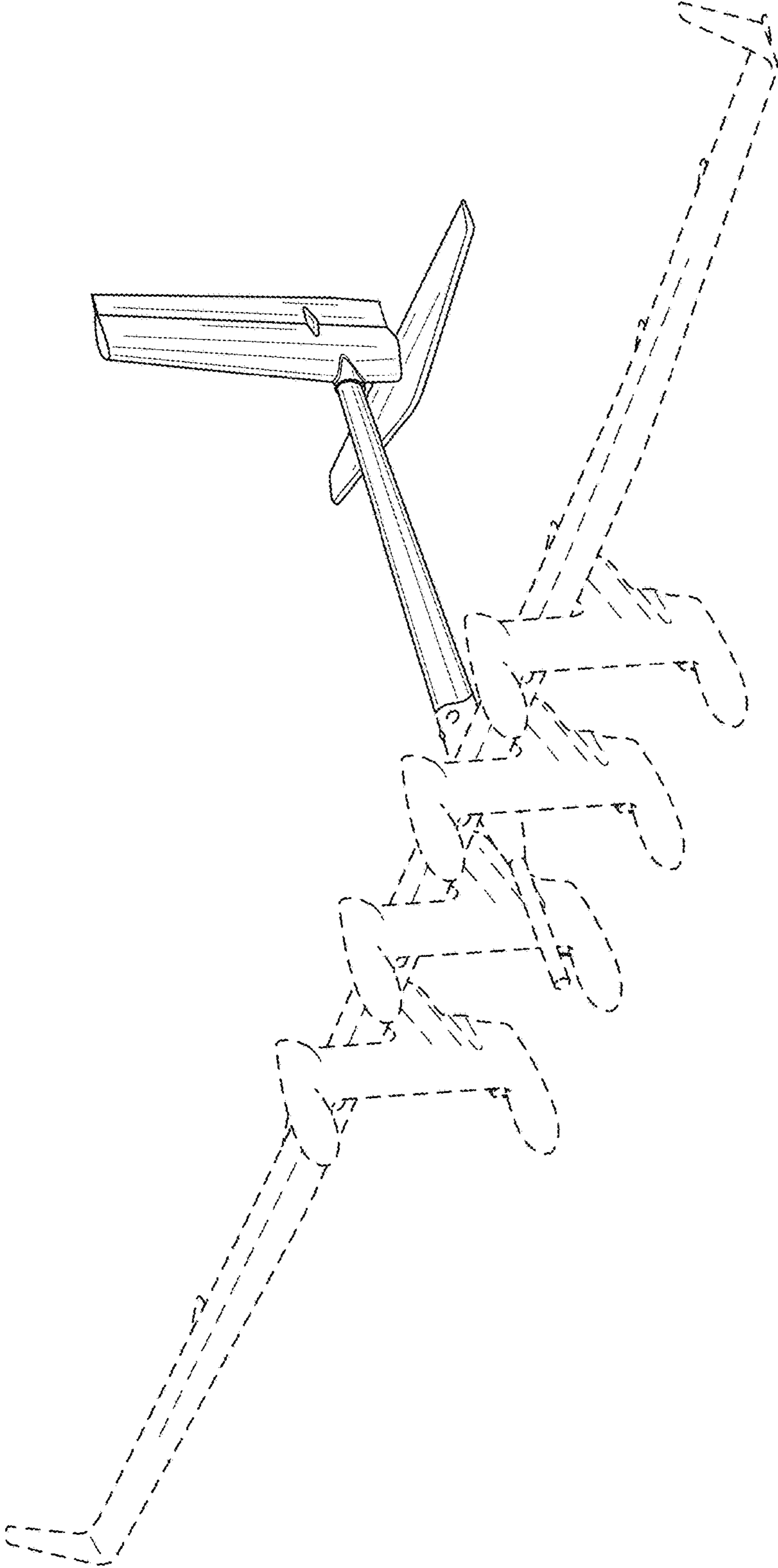


Figure 1

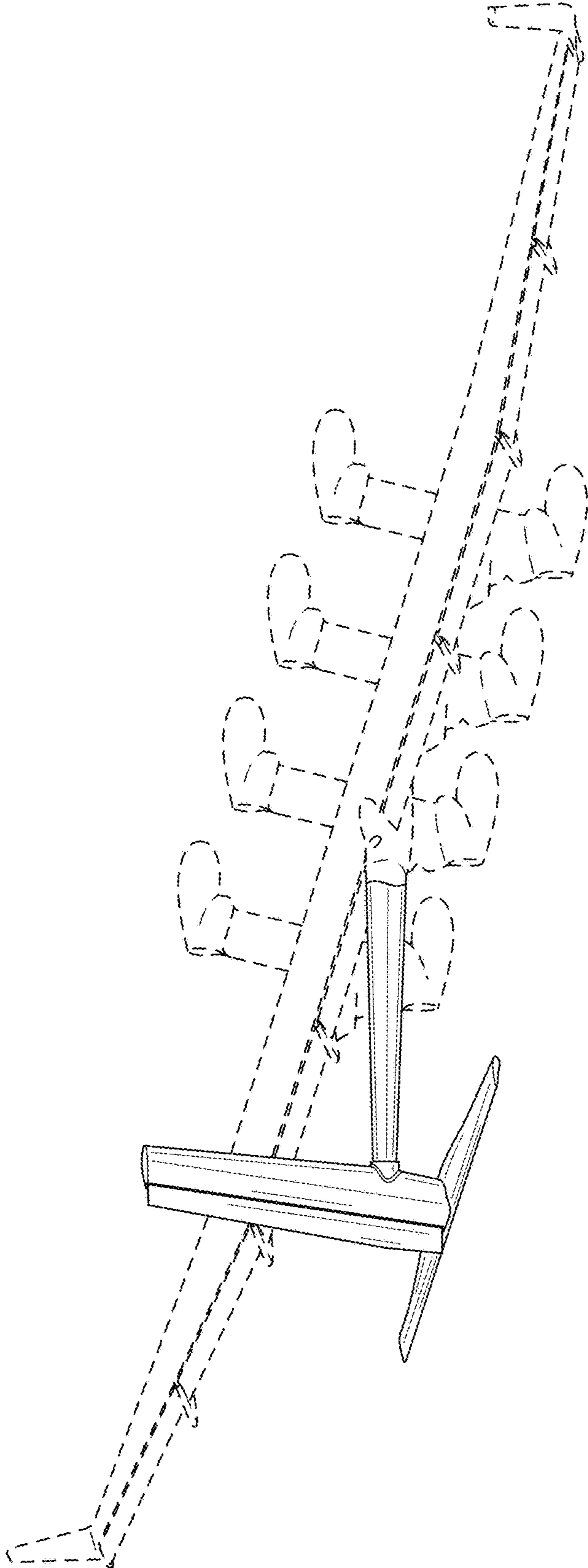


Figure 2

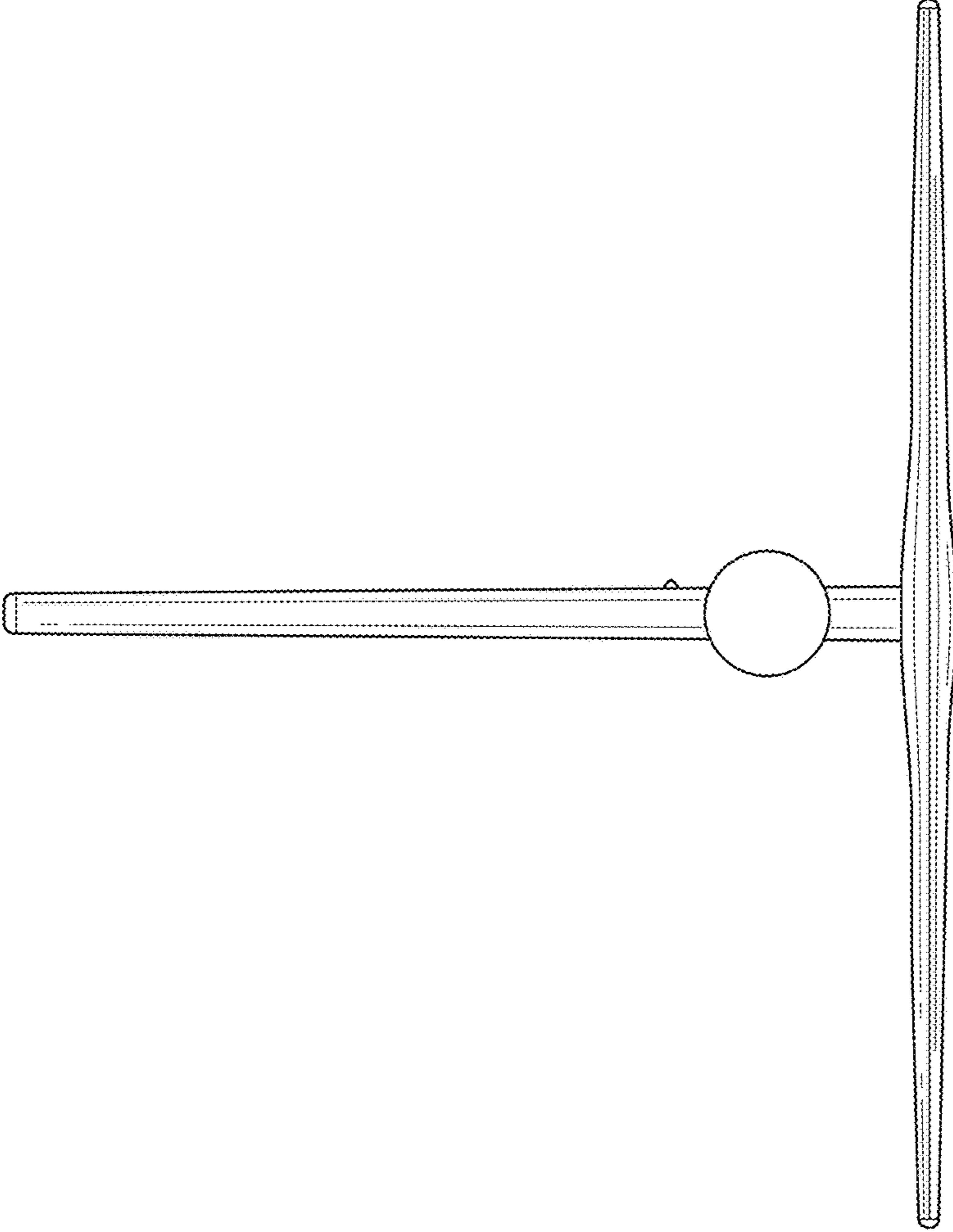


Figure 3

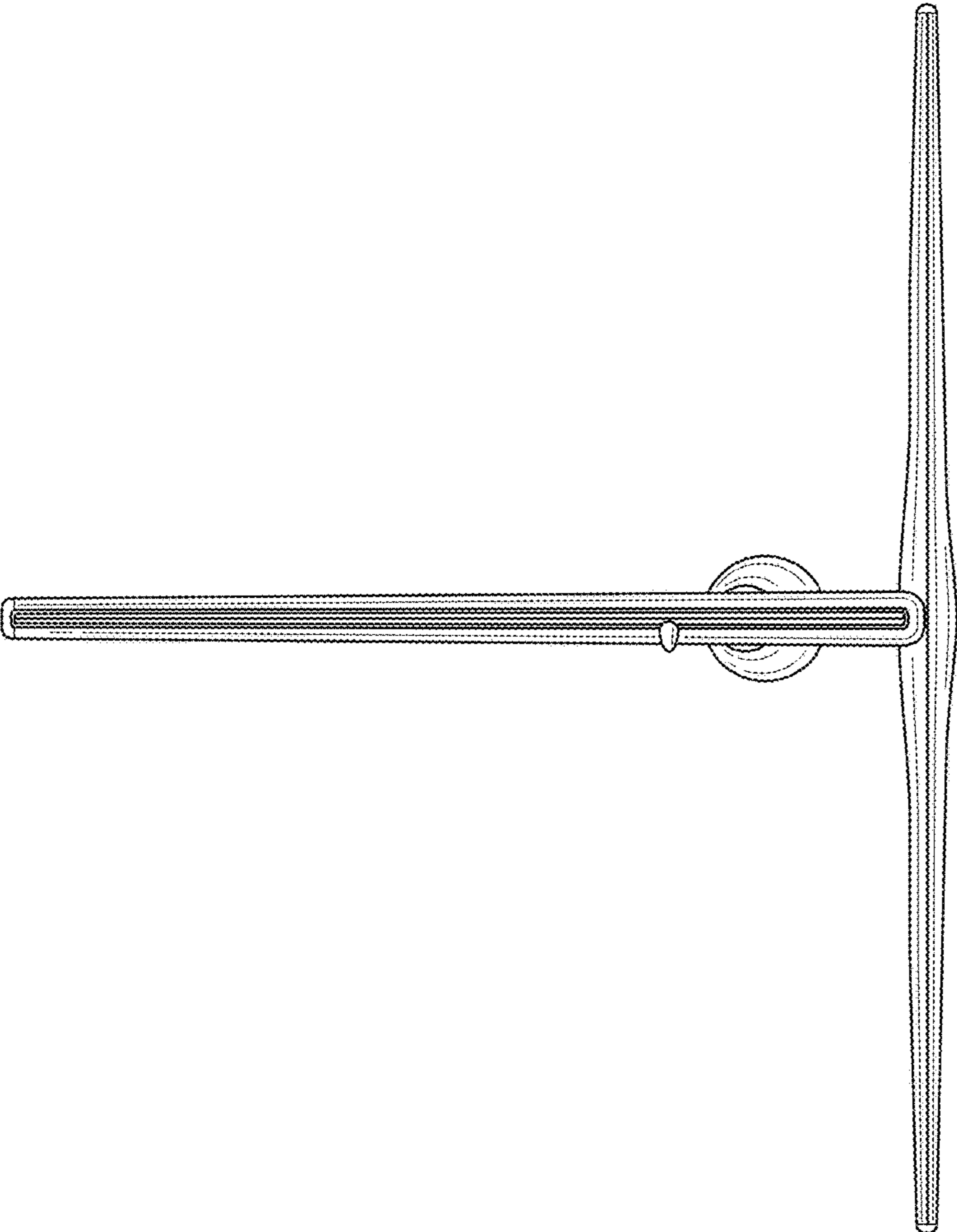


Figure 4

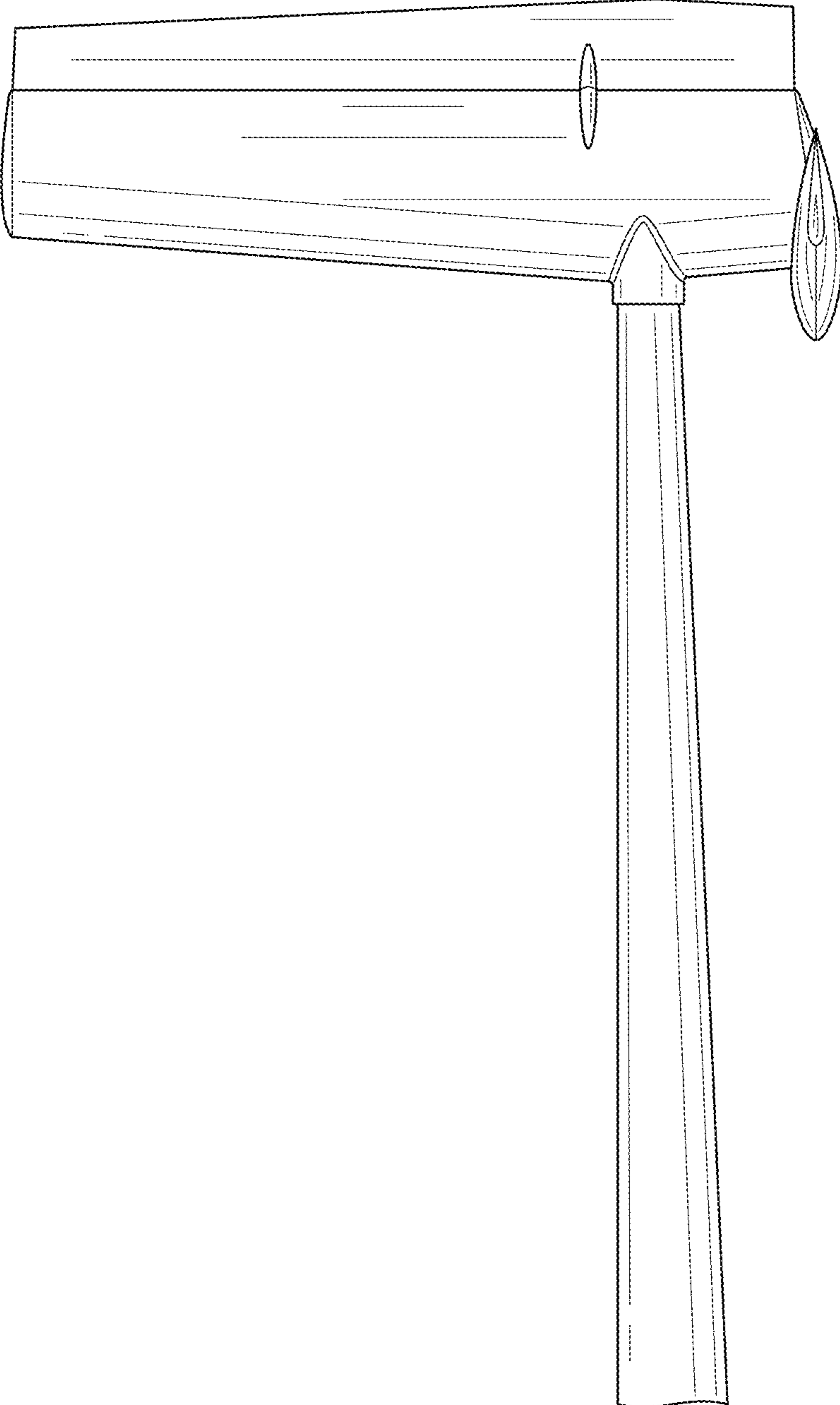


Figure 5

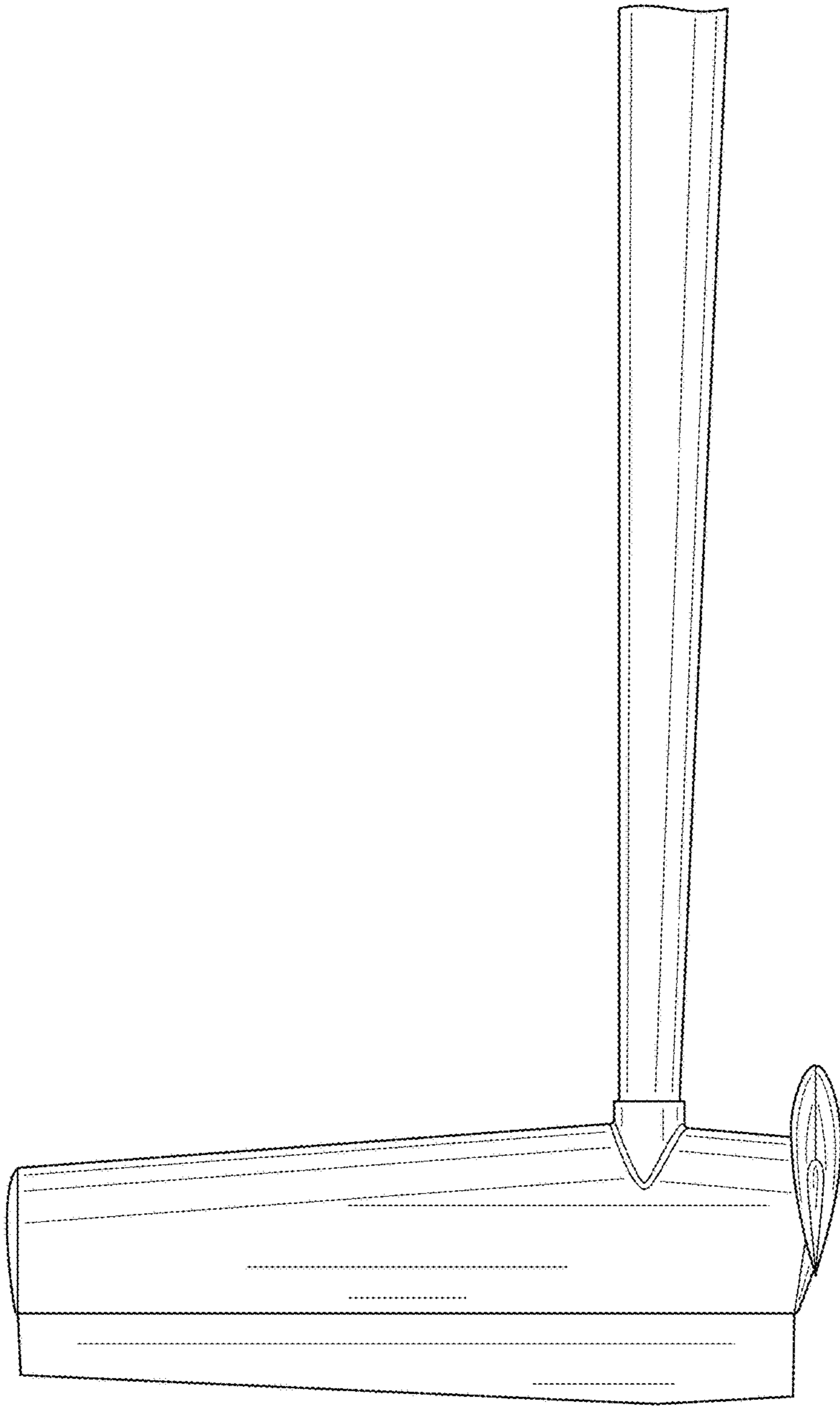


Figure 6

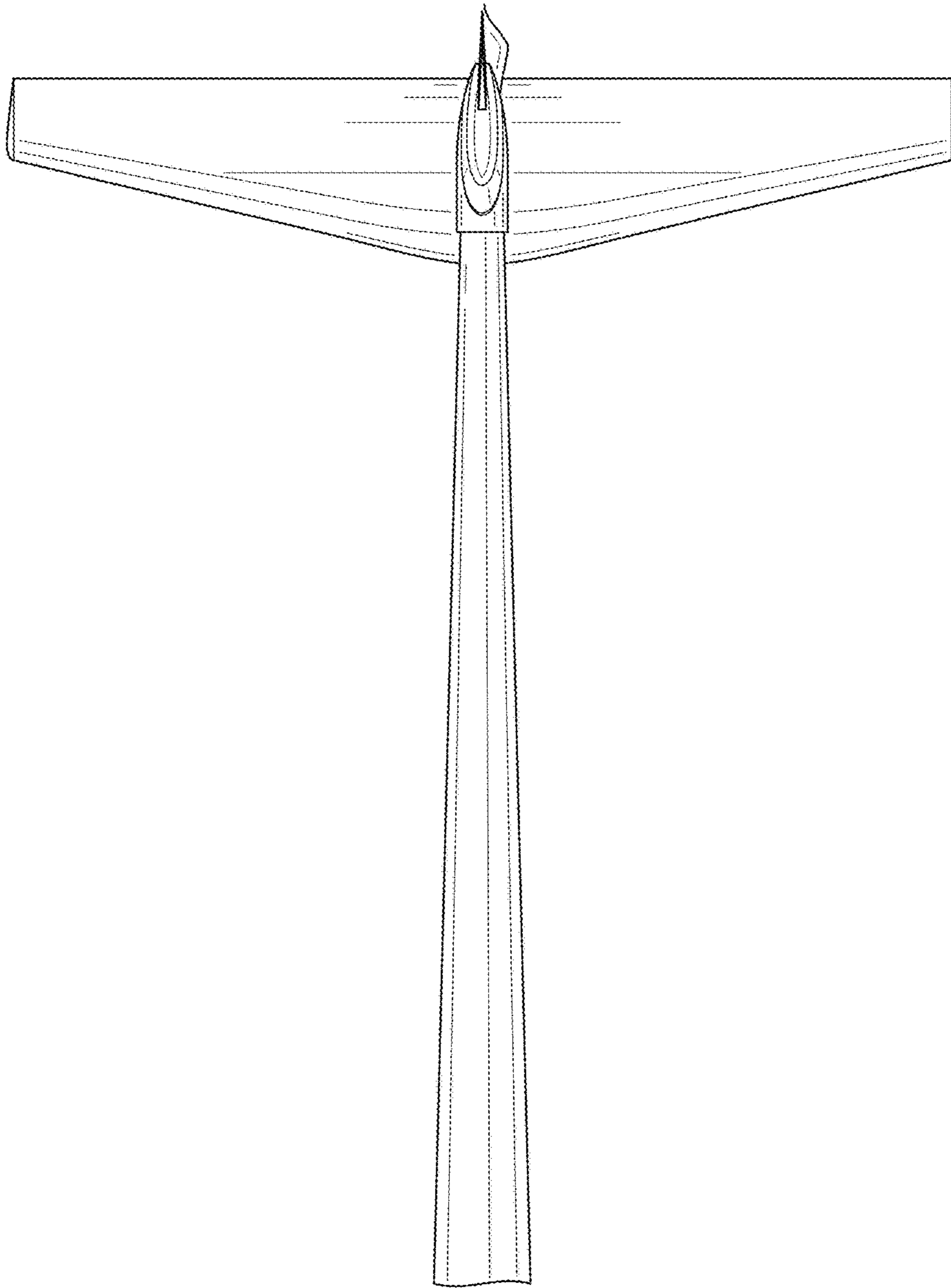


Figure 7

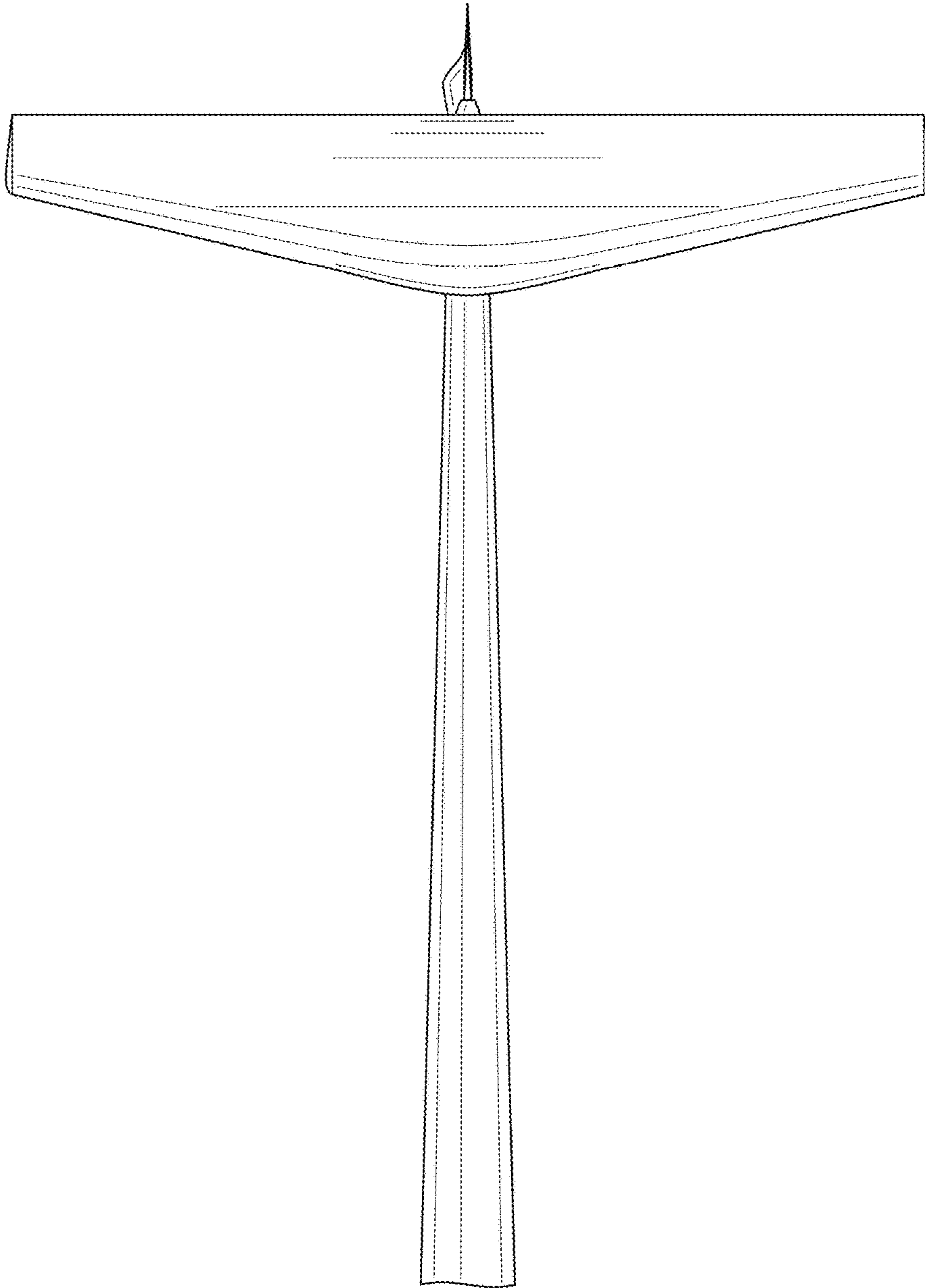


Figure 8

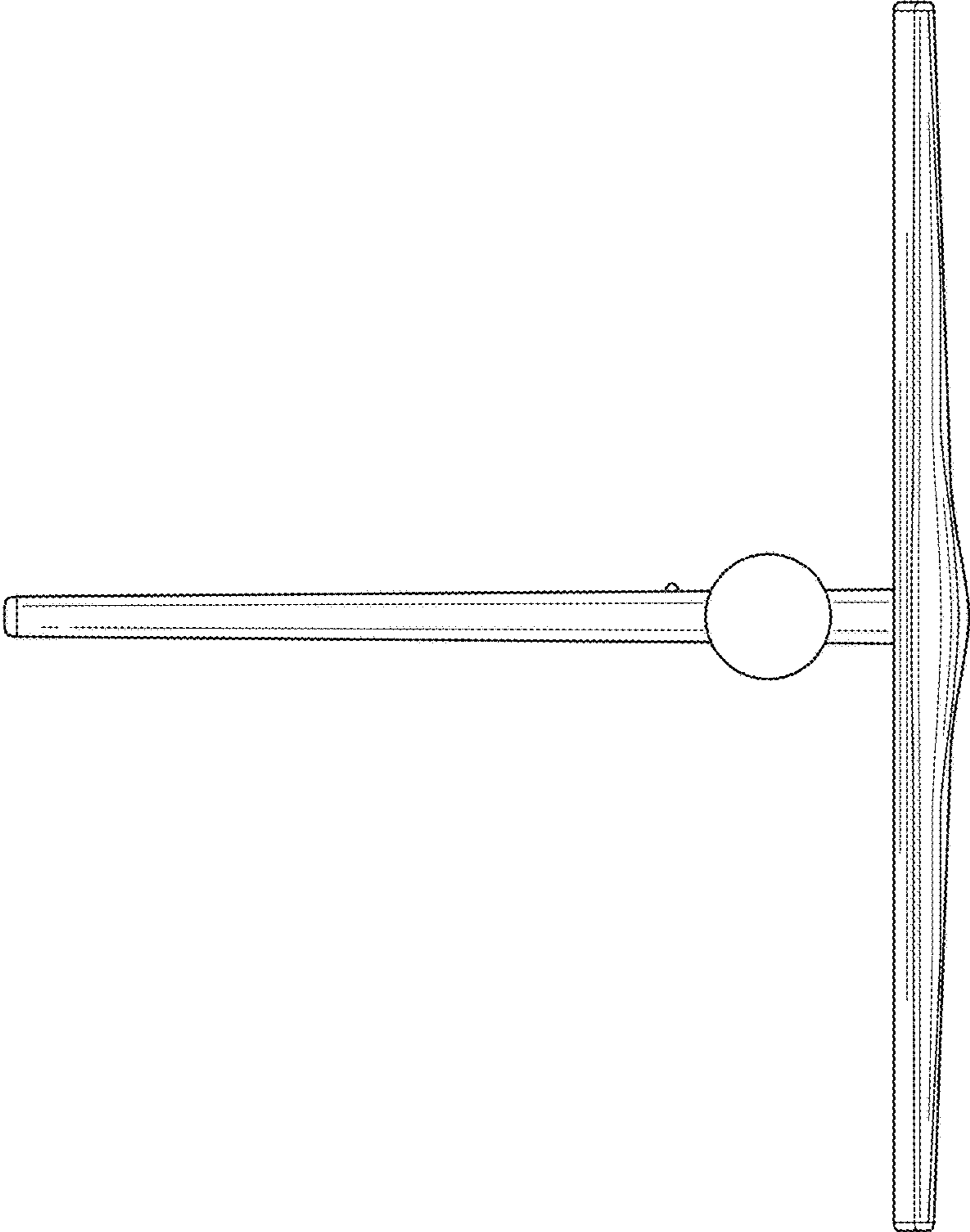


Figure 9

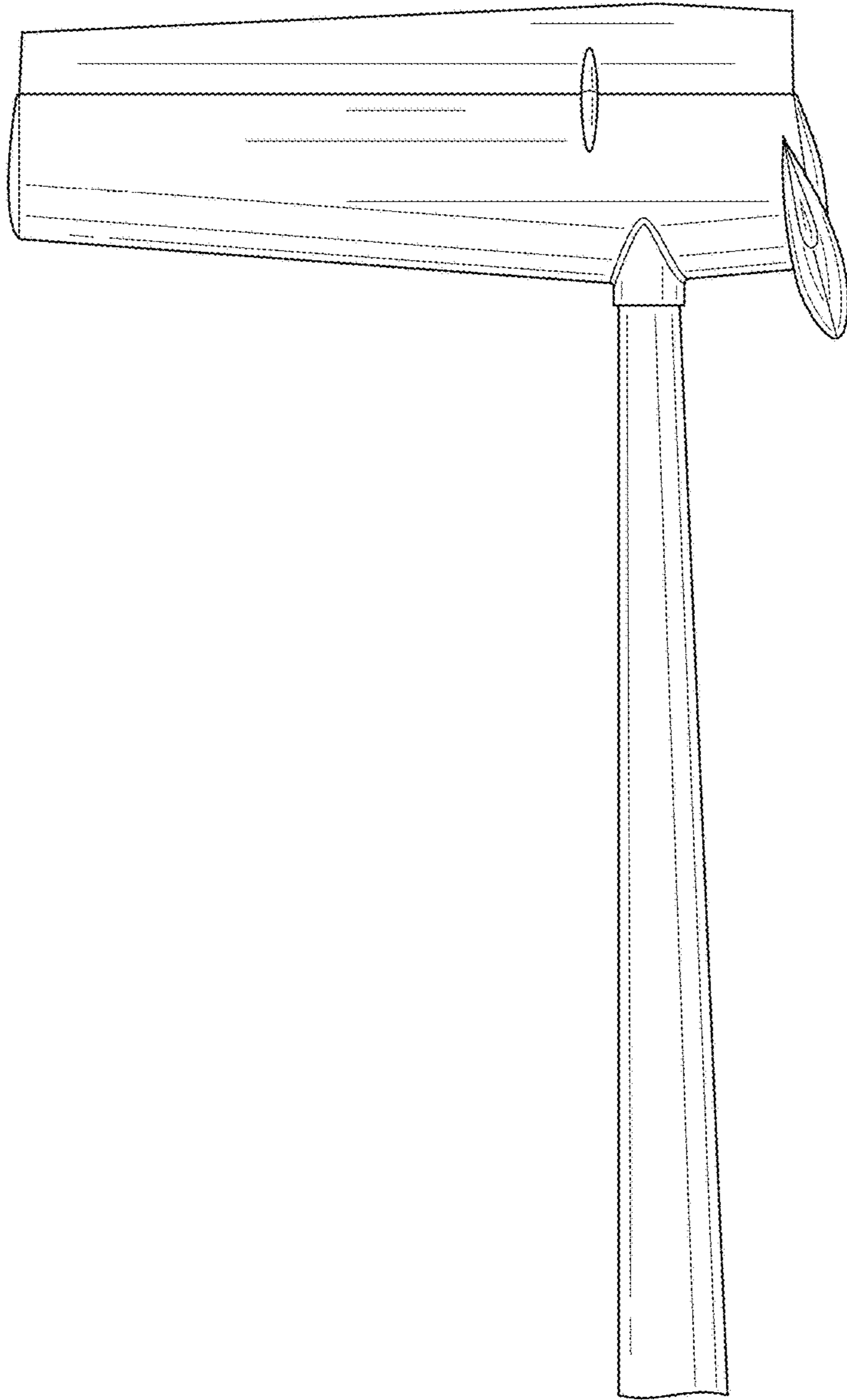


Figure 10

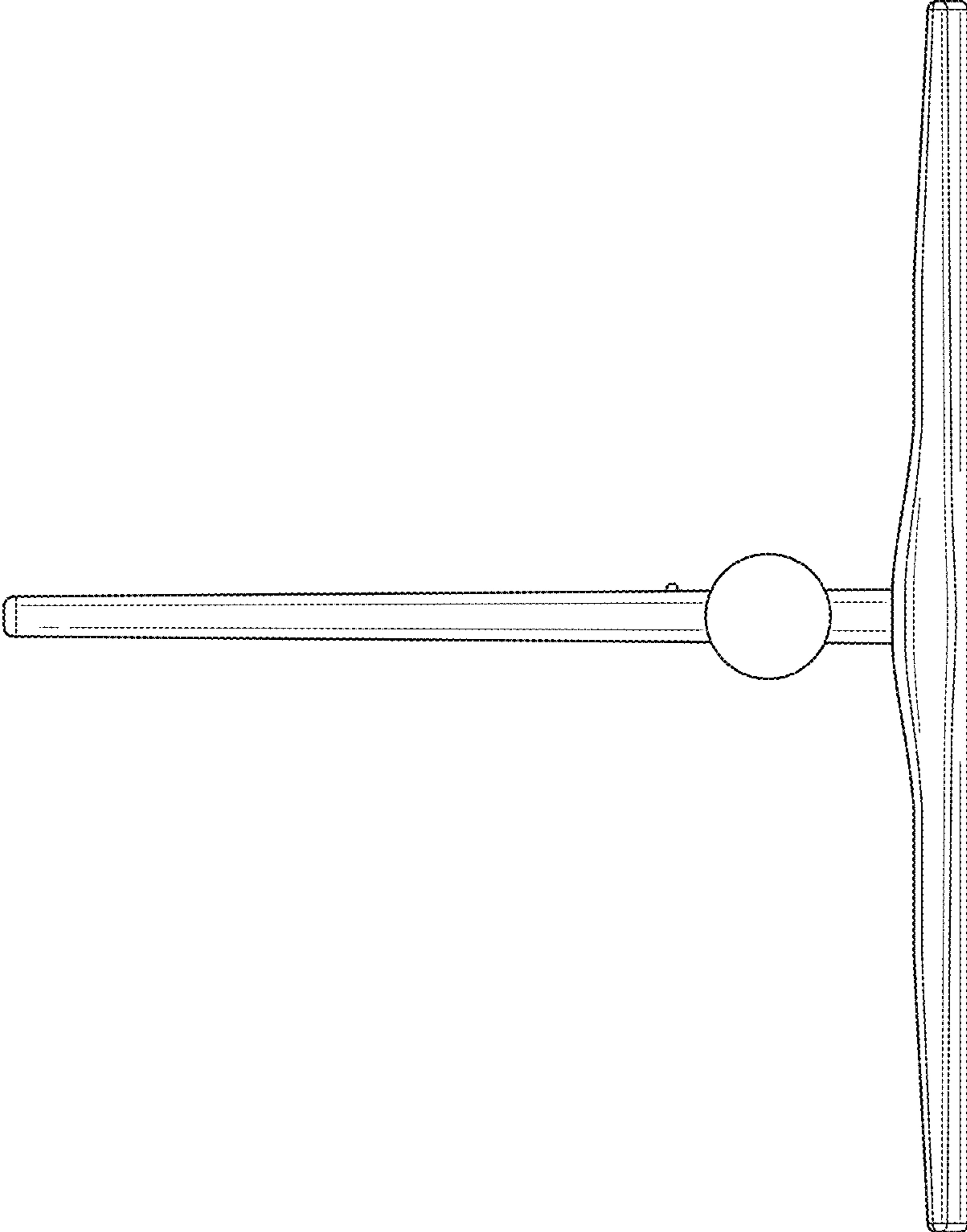


Figure 11

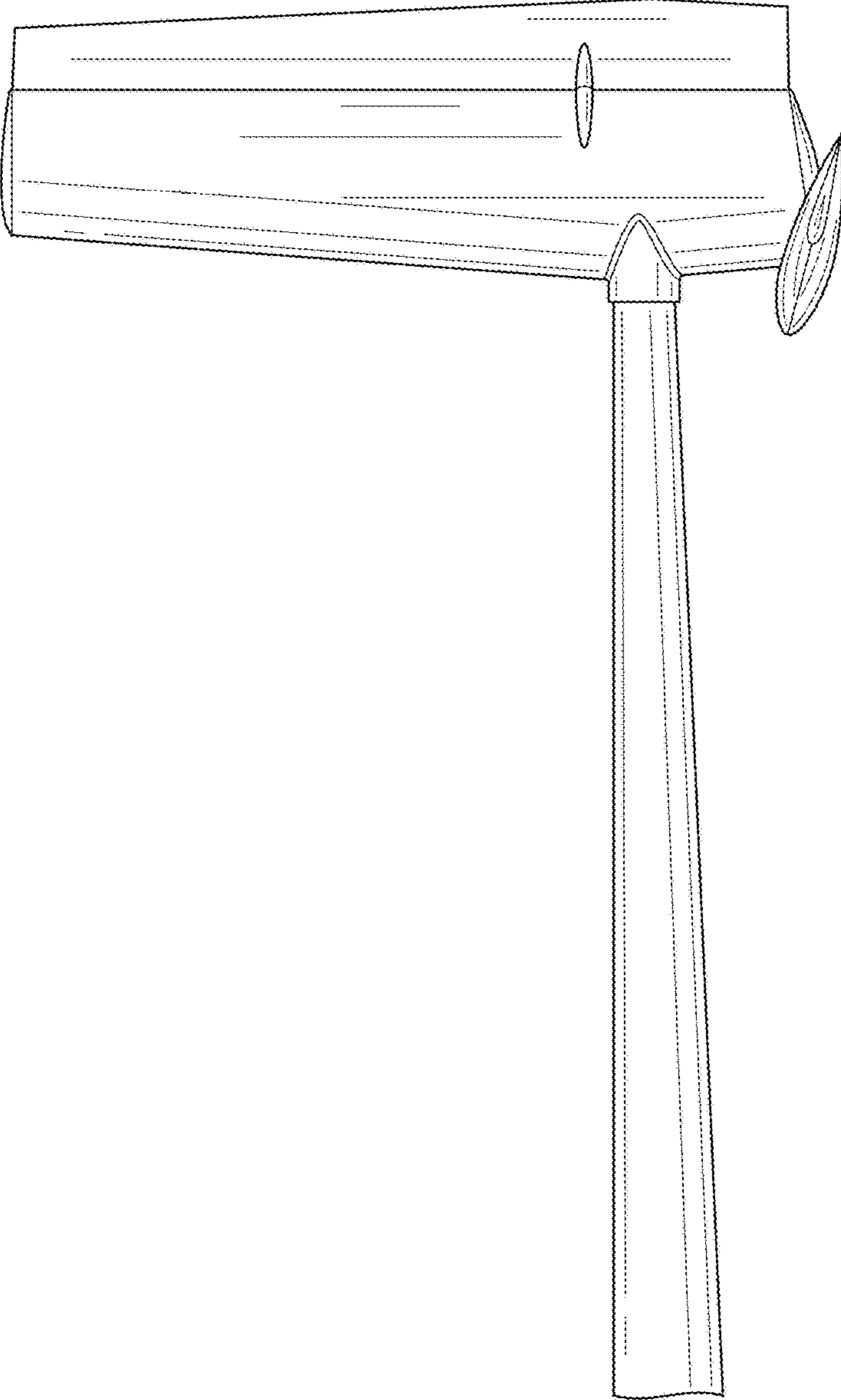


Figure 12

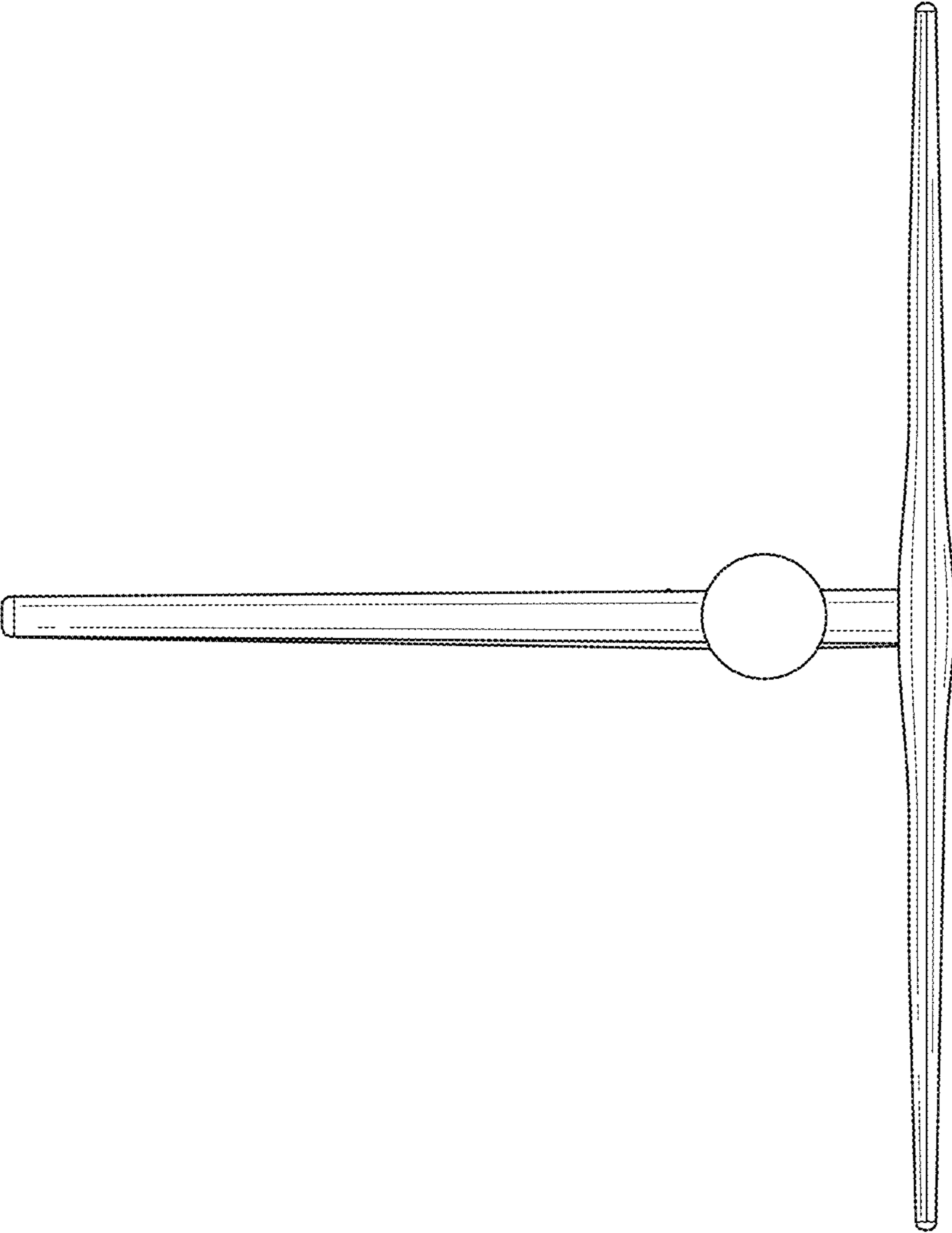


Figure 13

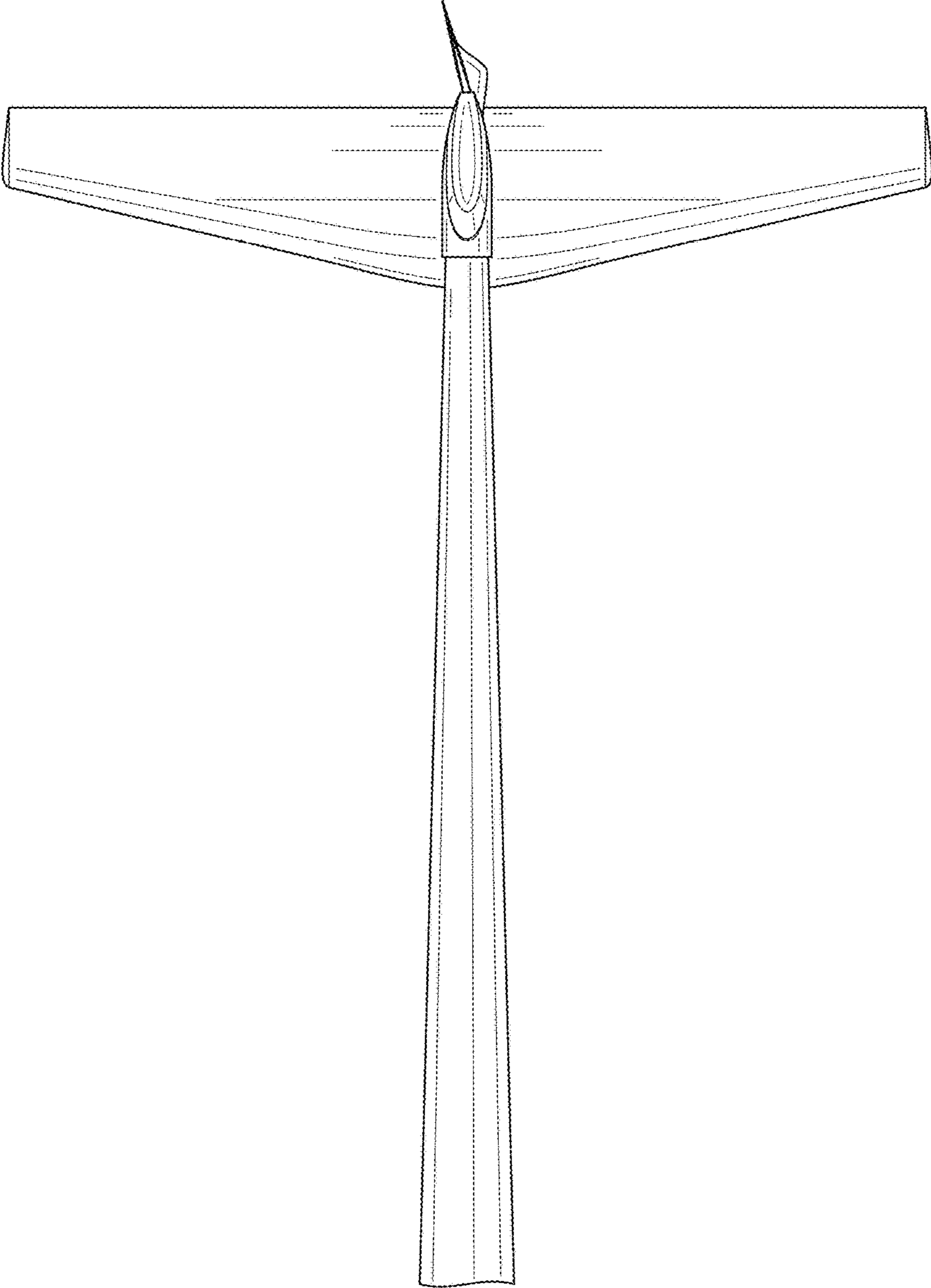


Figure 14

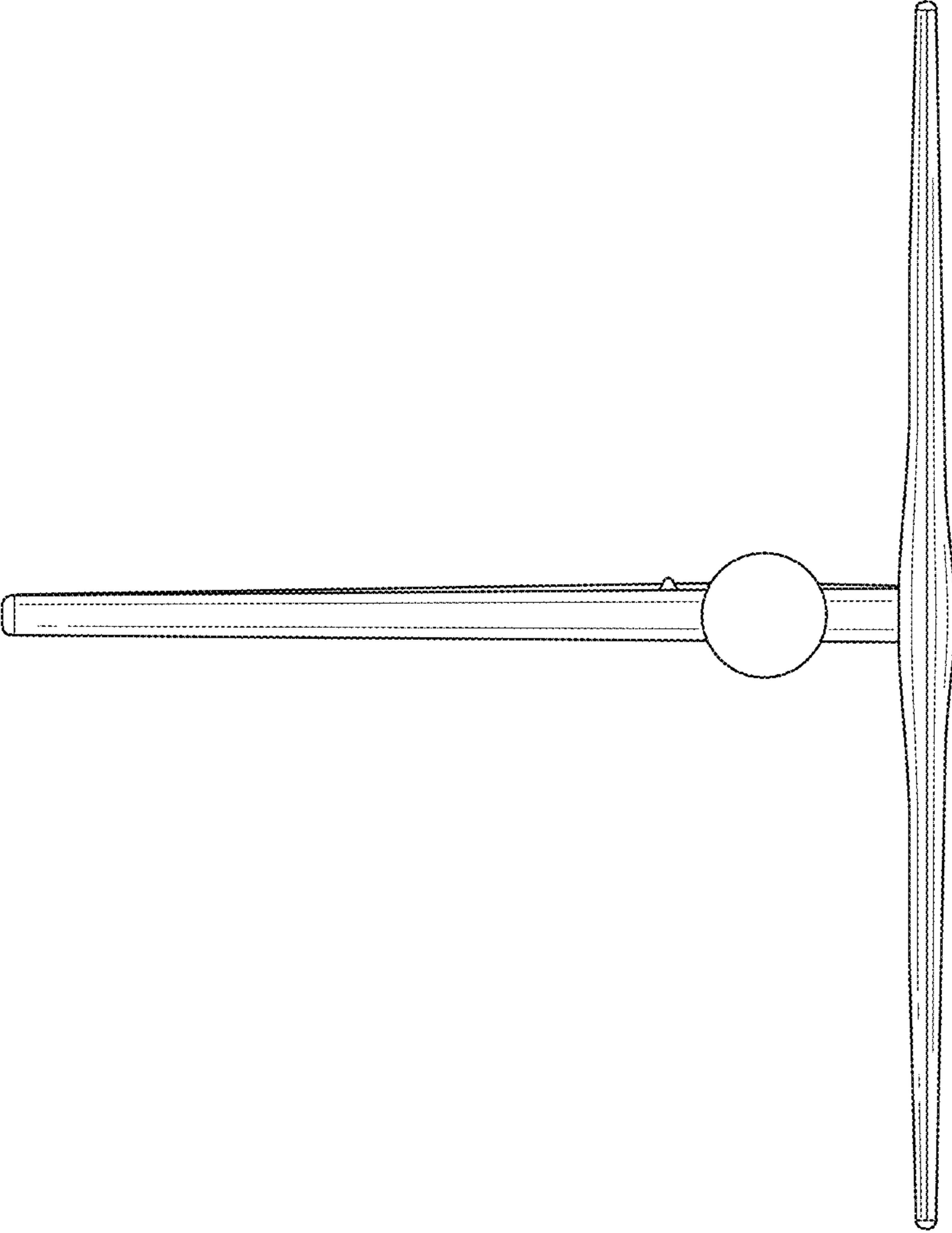


Figure 15

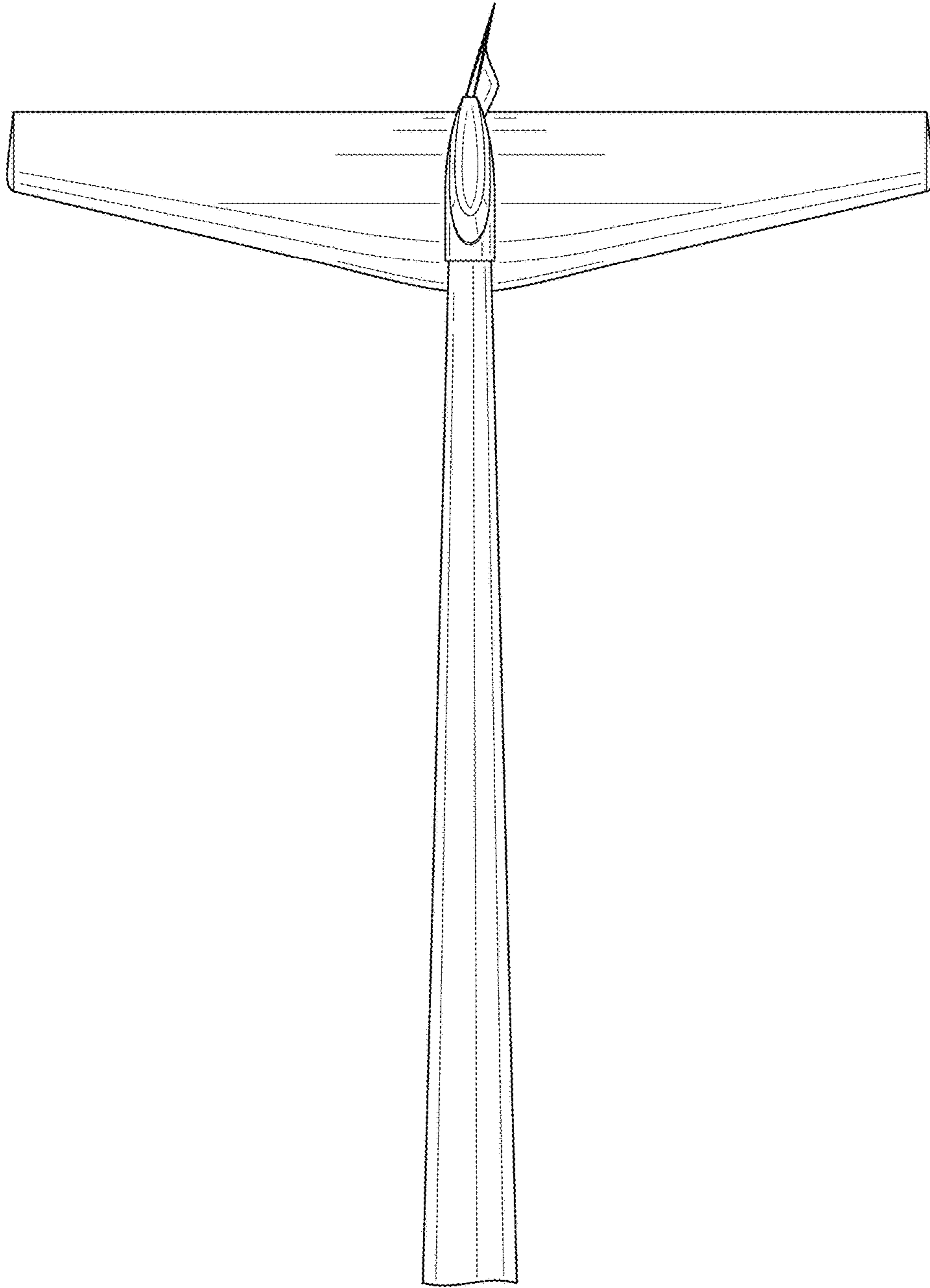


Figure 16