



US00D831123S

(12) **United States Design Patent** (10) **Patent No.:** **US D831,123 S**  
**Porteiro et al.** (45) **Date of Patent:** **\*\* Oct. 16, 2018**

(54) **KICK SCOOTER**

(71) Applicants: **Alberto Rey Porteiro**, New York, NY (US); **Christopher Michael Albright**, Allentown, PA (US)

(72) Inventors: **Alberto Rey Porteiro**, New York, NY (US); **Christopher Michael Albright**, Allentown, PA (US)

(73) Assignee: **NIFTLY MOBILITY LLC**, New York, NY (US)

(\*\*) Term: **15 Years**

(21) Appl. No.: **29/628,982**

(22) Filed: **Dec. 9, 2017**

(51) **LOC (11) Cl.** ..... **21-01**

(52) **U.S. Cl.**  
USPC ..... **D21/423**

(58) **Field of Classification Search**  
USPC ..... D21/419, 421, 423, 426, 662, 760, 765, D21/766, 769, 771, 776, 803  
CPC ..... A63C 17/01; A63C 17/011; A63C 17/012; A63C 17/014; A63C 17/015; A63C 17/02; A63C 17/26; A63C 5/003; B60Q 1/326; B62K 3/001  
See application file for complete search history.

(56) **References Cited**

**U.S. PATENT DOCUMENTS**

D435,873	S *	1/2001	Lee	.....	D21/423
D435,874	S *	1/2001	Cheng	.....	D21/423
D438,911	S *	3/2001	Chen	.....	D21/423
D438,912	S *	3/2001	Barrera	.....	D21/423
6,705,630	B1	3/2004	Karpman		
D497,397	S *	10/2004	Sramek	.....	D21/423
D497,957	S *	11/2004	Chuang	.....	D21/423
7,559,561	B2	7/2009	Tsai		
7,784,803	B2	8/2010	Griggs		
D645,522	S *	9/2011	Powers	.....	D21/423

8,113,524	B2	2/2012	Karpman		
8,157,275	B2	4/2012	Tsai		
D671,600	S *	11/2012	Horne	.....	D21/423
8,464,822	B2	6/2013	Spector et al.		
D686,674	S *	7/2013	Hadley	.....	D21/423
8,474,840	B2	7/2013	Tsai		
D687,499	S	8/2013	Horne		
8,523,212	B2	9/2013	Ryan et al.		
D691,671	S *	10/2013	Chen	.....	D21/423
D692,963	S *	11/2013	Radtke	.....	D21/423
D693,414	S *	11/2013	Hadley	.....	D21/423
D710,949	S *	8/2014	Huang	.....	D21/423
8,870,200	B2	10/2014	Chen		

(Continued)

**OTHER PUBLICATIONS**

Keefer Scooter.

(Continued)

*Primary Examiner* — Robin V Webster

*Assistant Examiner* — Keith J Wilson

(74) *Attorney, Agent, or Firm* — Lawrence B. Goodwin, PLLC

(57) **CLAIM**

The ornamental design for a kick scooter, as shown and described.

**DESCRIPTION**

FIG. 1 is a perspective view showing a front, side and top surface of the kick scooter.

FIG. 2 is a front view of the kick scooter of FIG. 1.

FIG. 3 is a rear view of the kick scooter of FIG. 1.

FIG. 4 is a right side view of the kick scooter of FIG. 1.

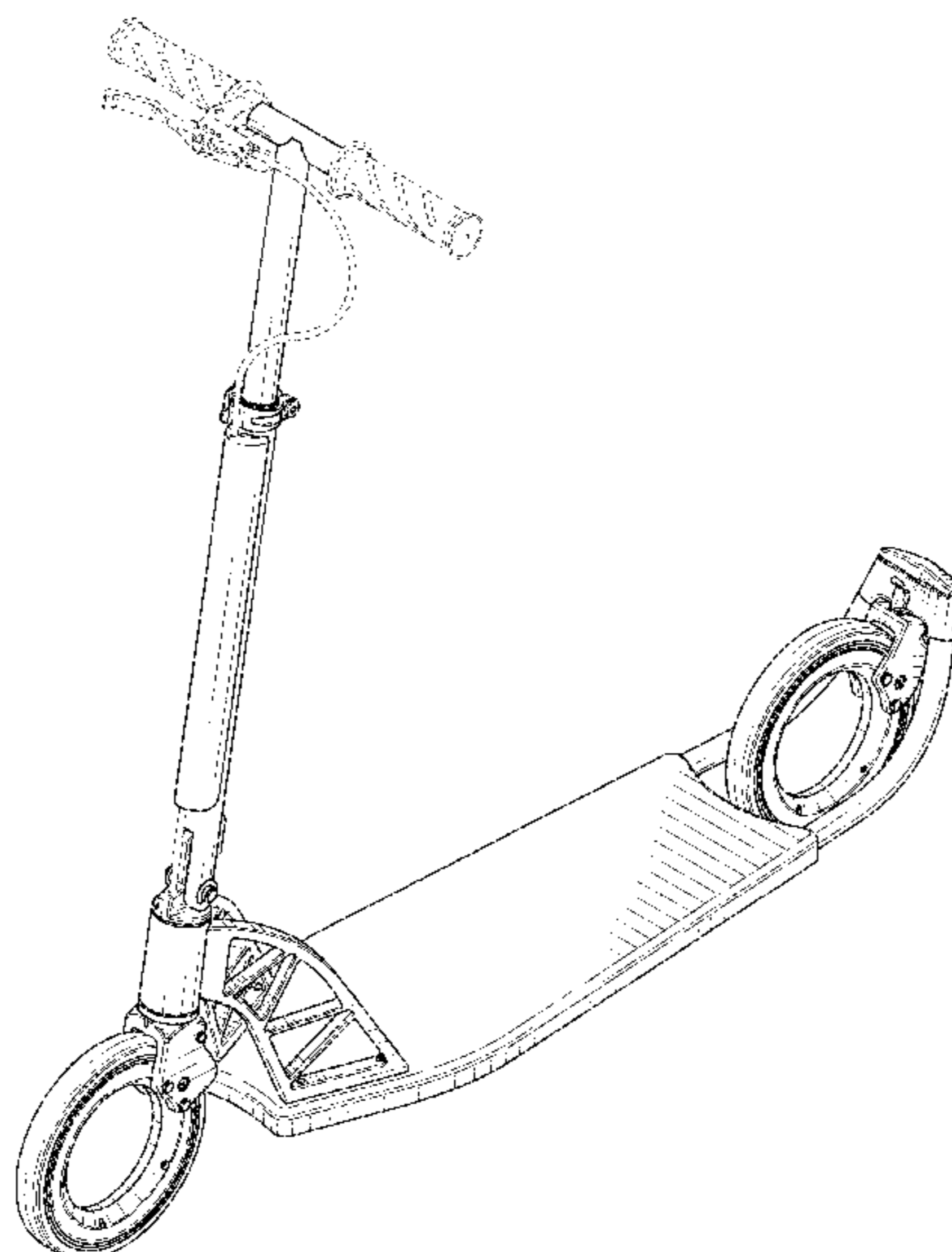
FIG. 5 is a left side view of the kick scooter of FIG. 1.

FIG. 6 is a top view of the kick scooter of FIG. 1; and,

FIG. 7 is a bottom view of the kick scooter of FIG. 1.

Where utilized, the broken lines show portions of the kick scooter that form no part of the claimed design.

**1 Claim, 5 Drawing Sheets**



(56)

**References Cited**

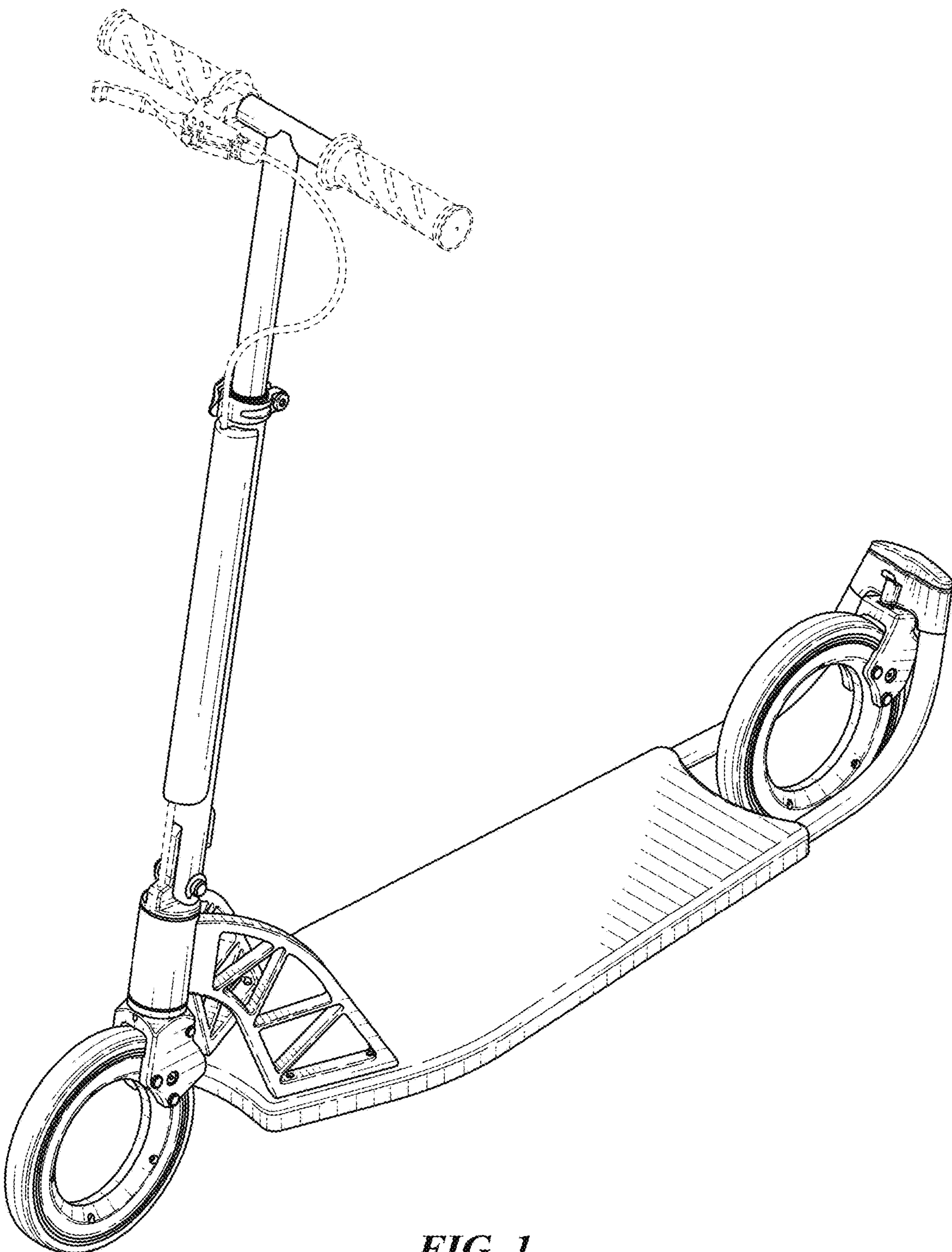
## U.S. PATENT DOCUMENTS

D727,434	S *	4/2015	O'connell	.....	D21/423
D727,833	S *	4/2015	Talios	.....	D12/423
D728,033	S *	4/2015	O'connell	.....	D21/423
D736,324	S *	8/2015	Lu	.....	D21/423
9,114,843	B2	8/2015	Ryan et al.		
D748,738	S *	2/2016	Hadley	.....	D21/423
D750,180	S *	2/2016	Edlauer	.....	D21/423
9,321,504	B2	4/2016	Hadley et al.		
D756,464	S *	5/2016	Edlauer	.....	D21/423
D756,465	S *	5/2016	Byrne	.....	D21/423
9,387,900	B2	7/2016	Chen		
9,422,021	B2	8/2016	Tsai		
D772,990	S *	11/2016	Allais	.....	D21/423
D774,145	S *	12/2016	Hadley	.....	D21/423
D777,261	S *	1/2017	Desberg	.....	D21/423
D777,844	S *	1/2017	O Connell	.....	D21/423
9,573,417	B2	2/2017	Wang et al.		
D783,724	S *	4/2017	Pickavance	.....	D12/192
D795,354	S *	8/2017	Desberg	.....	D21/423
9,771,115	B2	9/2017	Chen		
D806,176	S *	12/2017	Peng	.....	D21/423
D810,836	S *	2/2018	Hadley	.....	D21/423
D811,489	S *	2/2018	Hadley	.....	D21/423
D815,215	S *	4/2018	Desberg	.....	D21/423
D818,541	S *	5/2018	Huang	.....	D21/423

## OTHER PUBLICATIONS

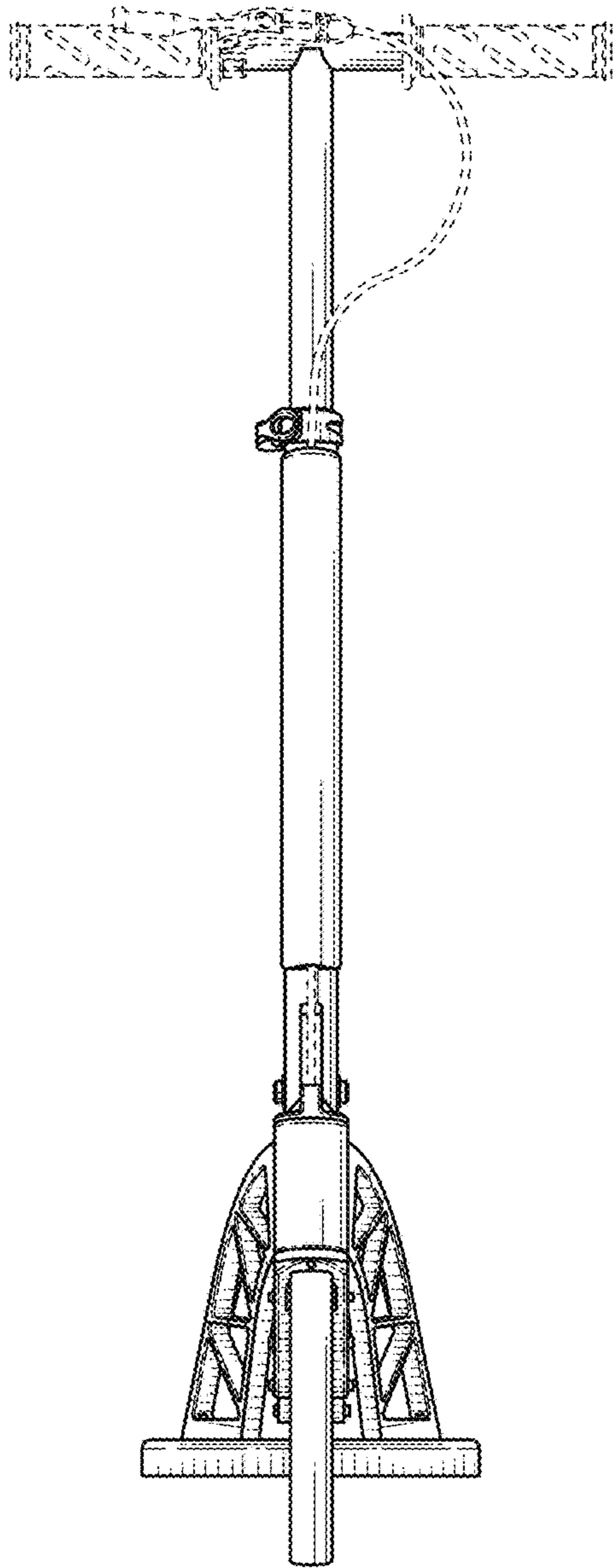
Keefer cable and rack.  
Xooter Scooter.  
Xooter cable and rack.  
Makepolo.

\* cited by examiner

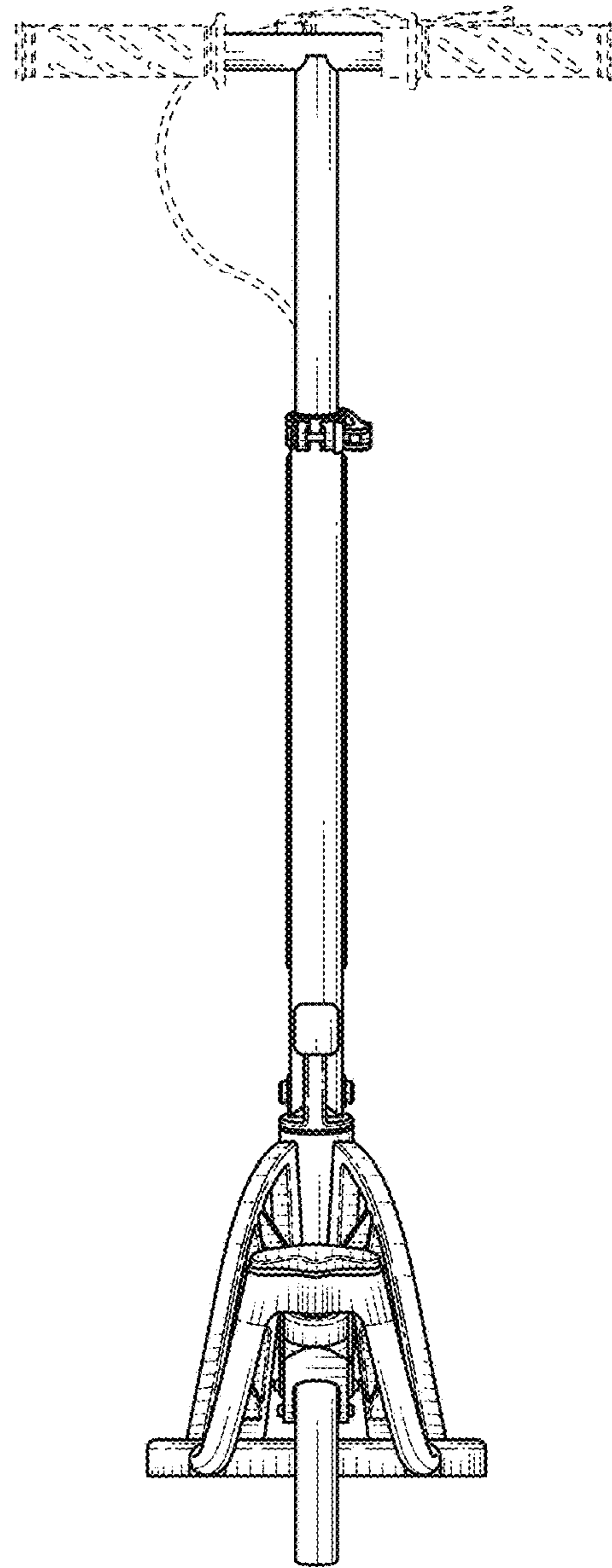


**FIG. 1**





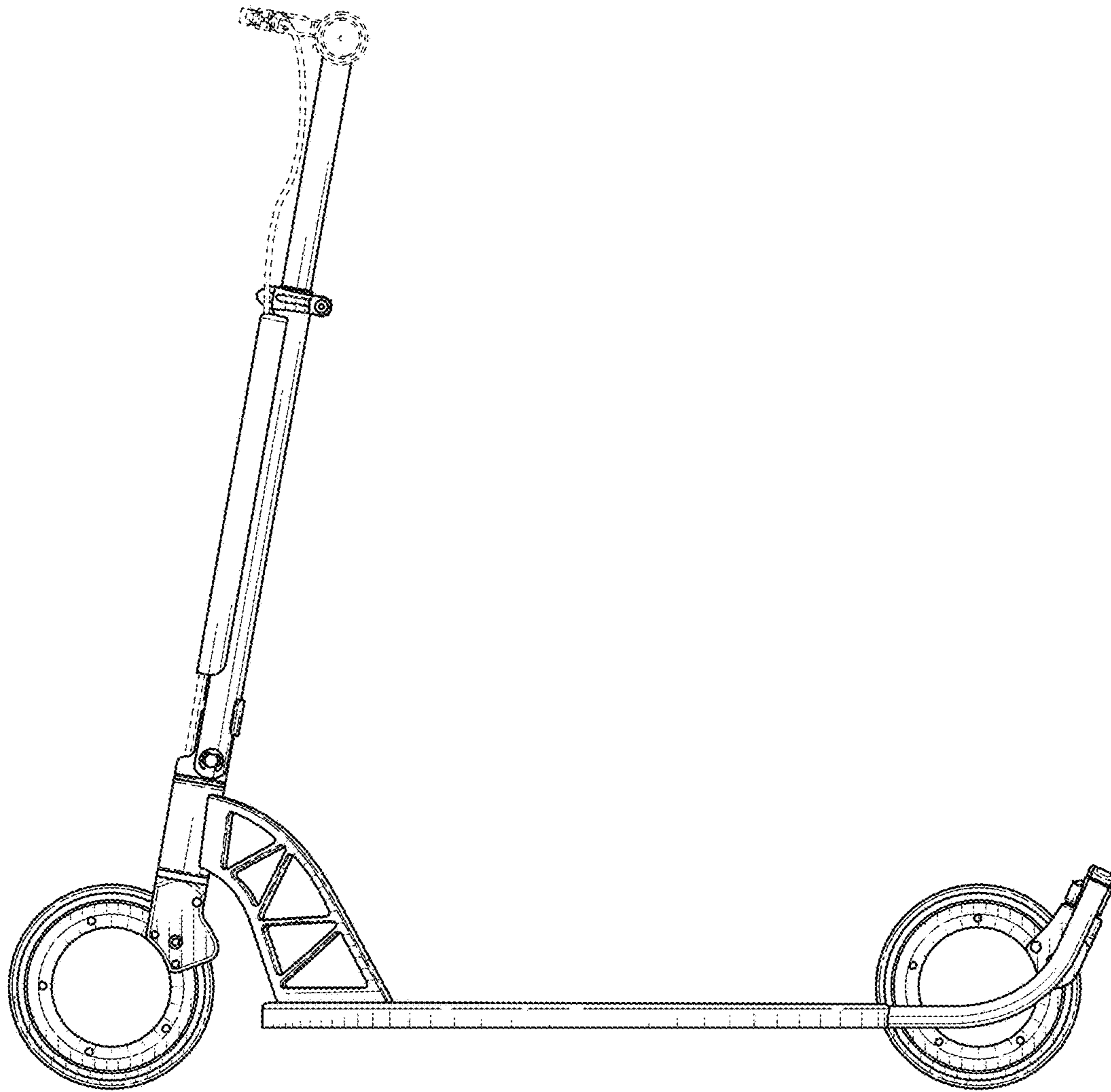
**FIG. 2**



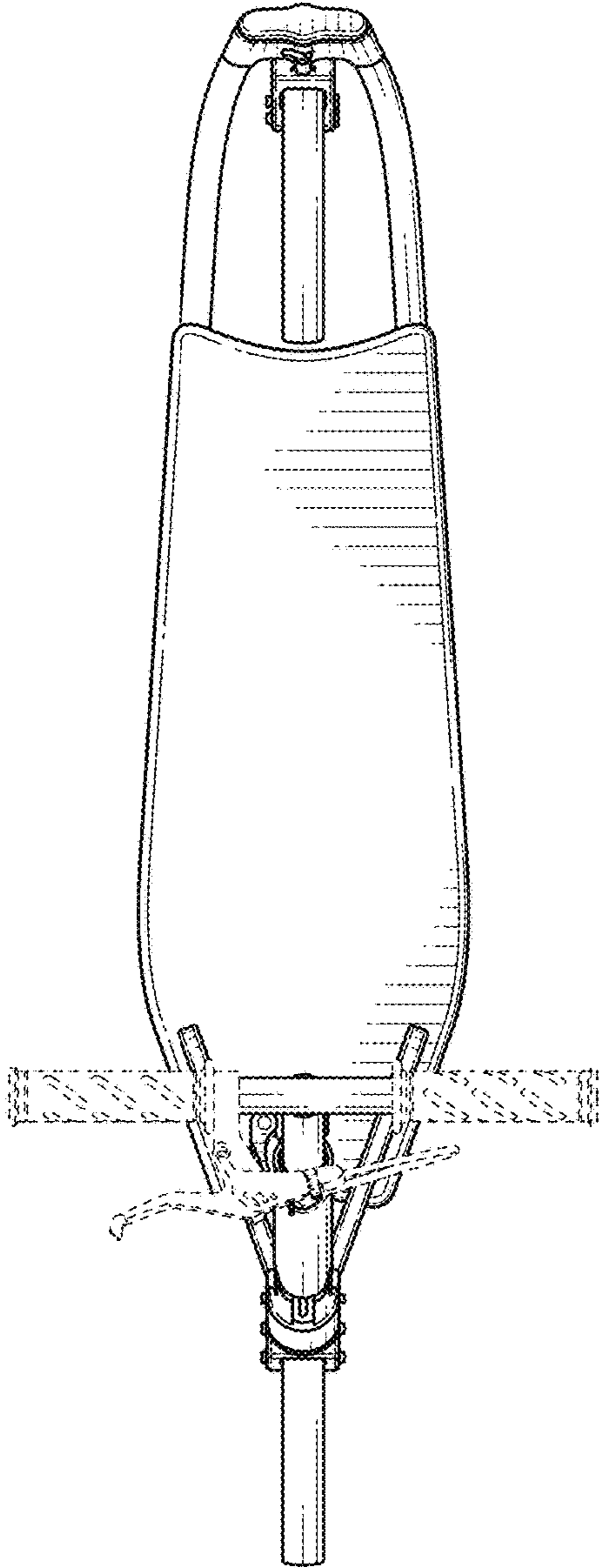
**FIG. 3**



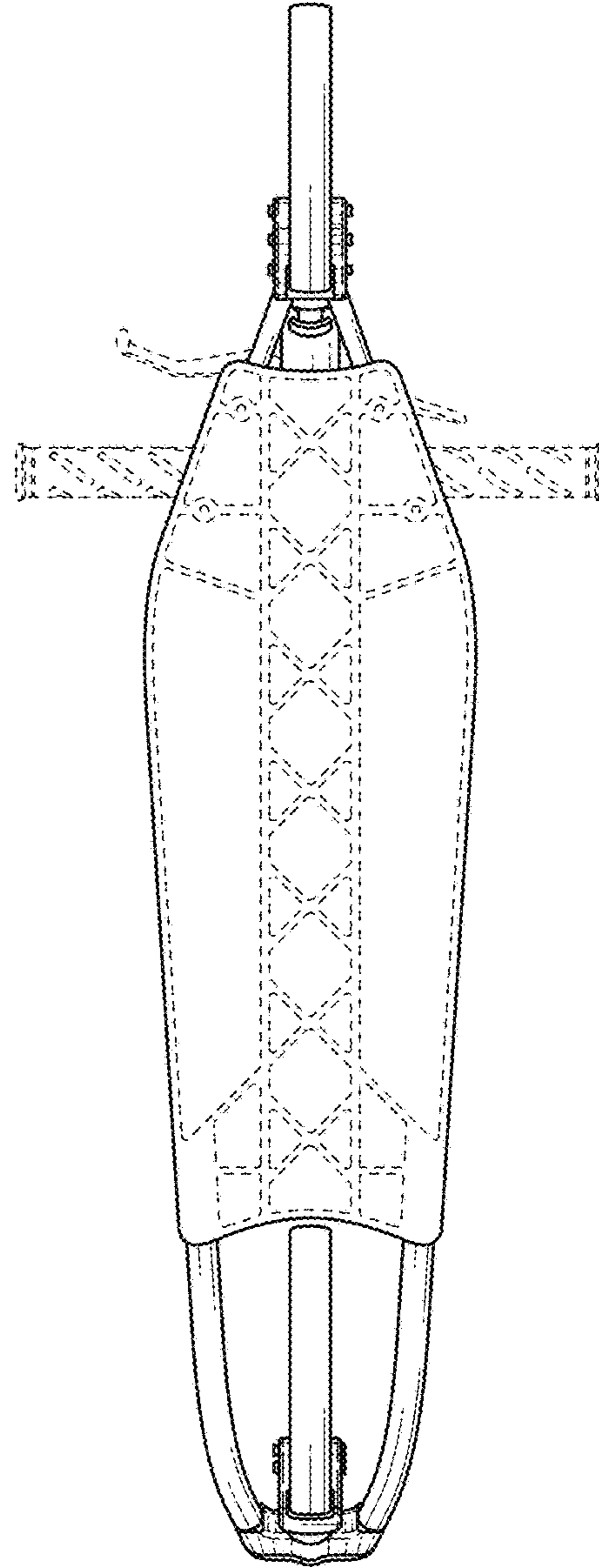
**FIG. 4**



**FIG. 5**



**FIG. 6**



**FIG. 7**