



US00D831120S

(12) **United States Design Patent** (10) **Patent No.:** **US D831,120 S**
Pumphrey (45) **Date of Patent:** **** Oct. 16, 2018**

(54) **RHOMBOIDAL SHAPED LIGHT EMITTING DIGITAL DISPLAY**

(71) Applicant: **Nanolumens Acquisition, Inc.**,
Norcross, GA (US)

(72) Inventor: **Clayton C. Pumphrey**, Duluth, GA
(US)

(73) Assignee: **Nanolumens Acquisition, Inc.**,
Norcross, GA (US)

(**) Term: **15 Years**

(21) Appl. No.: **29/627,654**

(22) Filed: **Nov. 29, 2017**

(51) **LOC (11) Cl.** **20-03**

(52) **U.S. Cl.**
USPC **D20/19**

(58) **Field of Classification Search**
USPC D14/371, 374, 127; D20/10, 19, 17, 27,
D20/39, 21; D25/32, 199; D26/1, 24, 34
CPC G06F 1/181; G06F 3/1146; G06F 3/1423;
G06F 3/147; H05K 5/0017
See application file for complete search history.

(56) **References Cited**

U.S. PATENT DOCUMENTS

2,872,750	A	2/1959	Holcomb	
D216,715	S	3/1970	Dottinger	
D234,631	S *	3/1975	Ljung et al.	D20/17
4,718,185	A	1/1988	Conlin	
D382,910	S *	8/1997	Greenfield	D20/17
6,655,062	B1	12/2003	Meeker	
D510,920	S	10/2005	Tandberg et al.	
D519,117	S	4/2006	Lewis	
7,142,192	B2	11/2006	De Waal	
D563,917	S *	3/2008	Kobayashi	D14/127
7,495,576	B2	2/2009	Maskeny	

D593,978	S *	6/2009	Pozin	D14/127
D600,233	S *	9/2009	Birsel	D14/127
D600,695	S	9/2009	Niitsu et al.	
7,823,308	B1	11/2010	Munson	
D633,454	S	3/2011	Mitsubishi	
8,152,312	B2	4/2012	Kondo	
D663,707	S	7/2012	Derocher	
D665,029	S *	8/2012	Krapf	D20/21
8,281,249	B2	10/2012	Nolte	
8,384,616	B2	2/2013	Elliott	
8,582,282	B2	11/2013	Kim et al.	
8,593,578	B1	11/2013	Geronimi	
8,619,414	B2	12/2013	Lee	
8,665,366	B2	3/2014	Lien	
D702,764	S *	4/2014	Clark	D20/17
D715,798	S	10/2014	Cruz et al.	
D716,298	S	10/2014	Cruz et al.	
D729,793	S	5/2015	Hickok et al.	

(Continued)

Primary Examiner — Brian N. Vinson

(74) Attorney, Agent, or Firm — Theodore Heske, III

(57) **CLAIM**

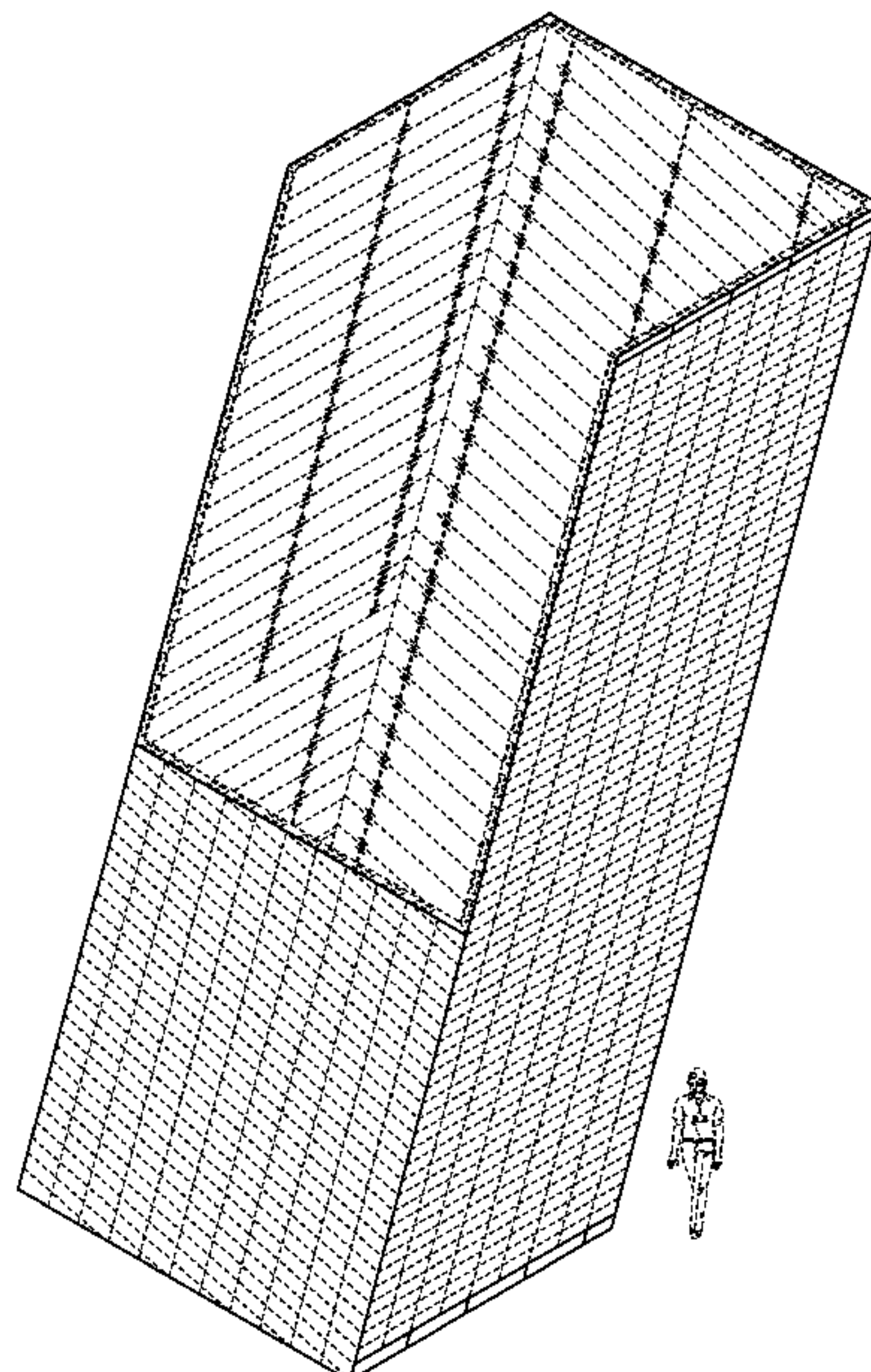
The ornamental design for a rhomboidal shaped light emitting digital display, as shown and described.

DESCRIPTION

FIG. 1 is a perspective view of a rhomboidal shaped light emitting digital display showing the design; FIG. 2 is a right elevation view thereof; FIG. 3 is a left elevation view thereof; FIG. 4 is a front elevation view thereof; FIG. 5 is a rear elevation view thereof; FIG. 6 is a top plan view thereof; and, FIG. 7 is a bottom plan view thereof.

The broken line disclosure of the outline of person in FIG. 1 represents unclaimed environment, and the remaining broken line disclosure in the views represents portions of the display which form no part of the claimed design.

1 Claim, 6 Drawing Sheets



(56)

References Cited

U.S. PATENT DOCUMENTS

D729,797 S	5/2015	Hickok et al.	
9,030,812 B2	5/2015	Nakamura	
D747,718 S	1/2016	Drabant	
D754,623 S *	4/2016	Dewaele	D14/127
D771,427 S	11/2016	Winfield	
D781,857 S	3/2017	Drabant	
2015/0143729 A1	5/2015	Pyo	

* cited by examiner

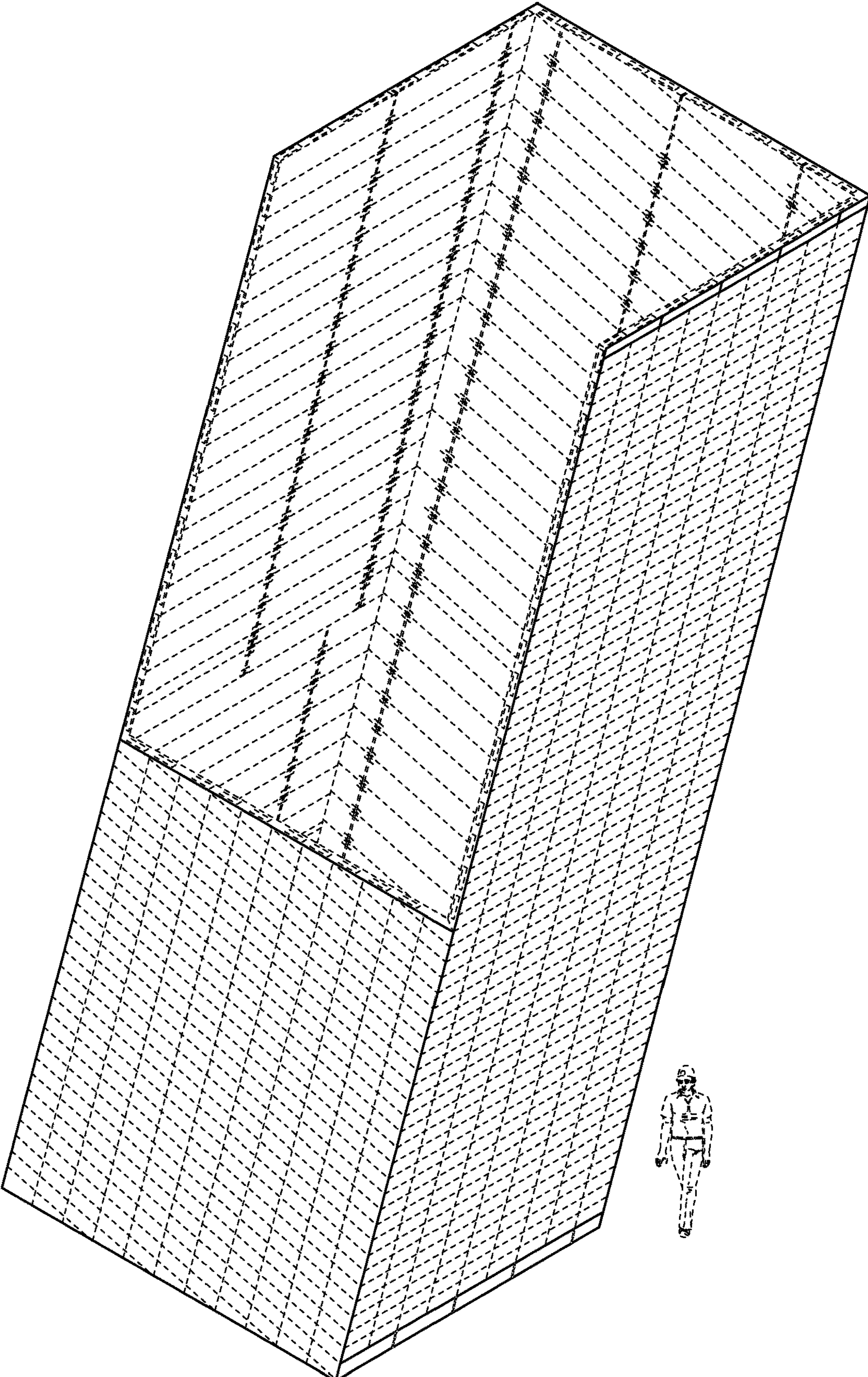


FIG. 1

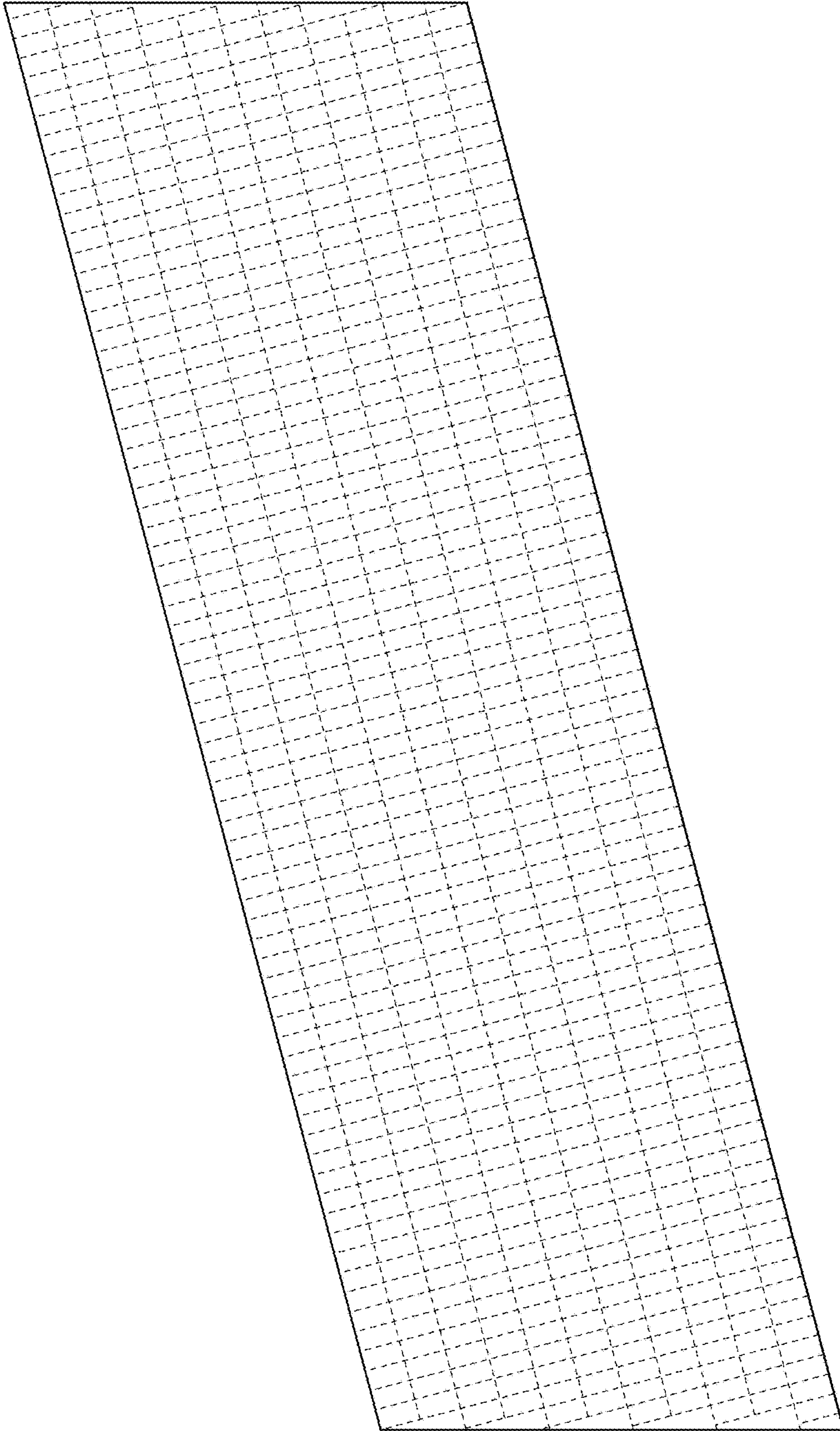


FIG. 2

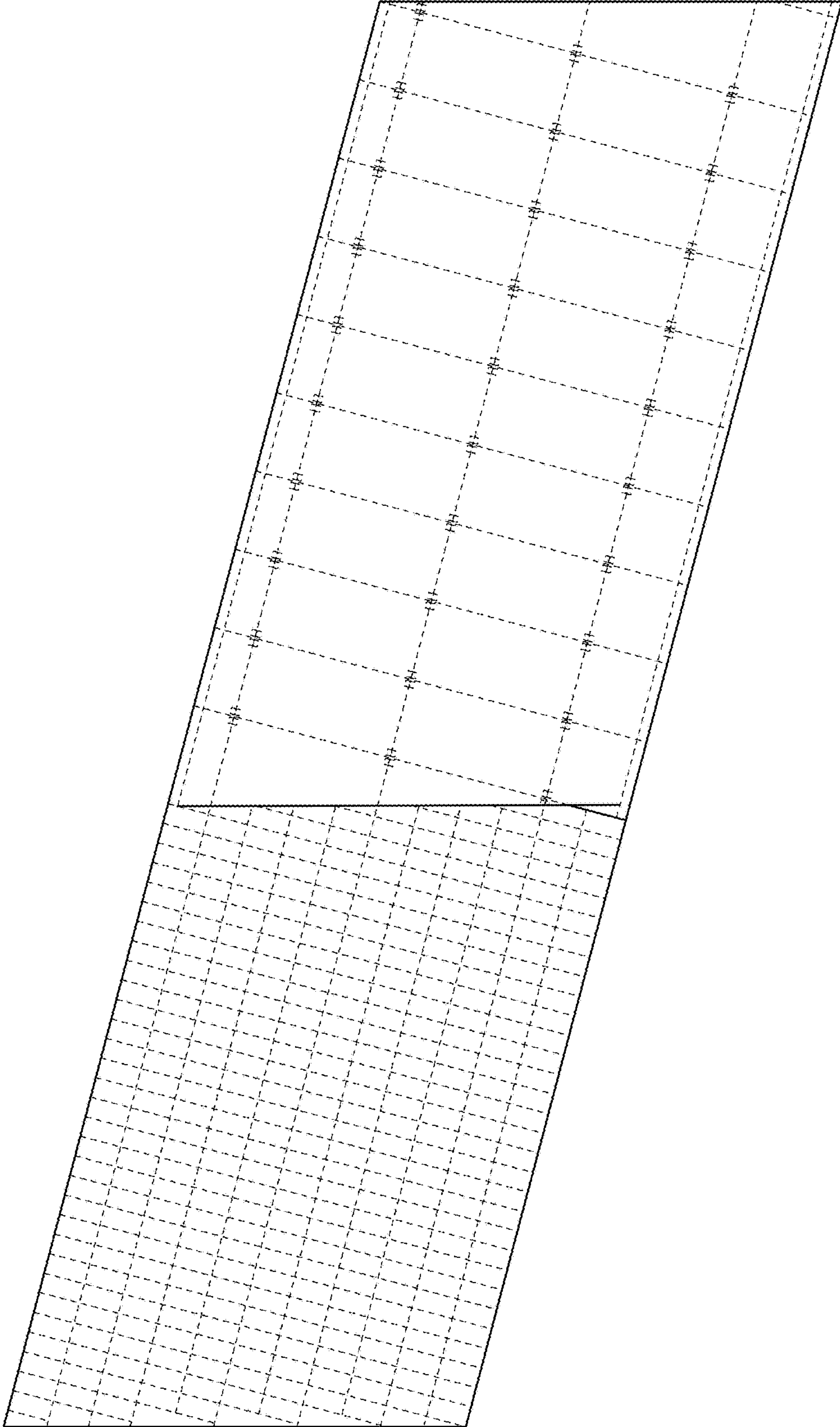


FIG. 3

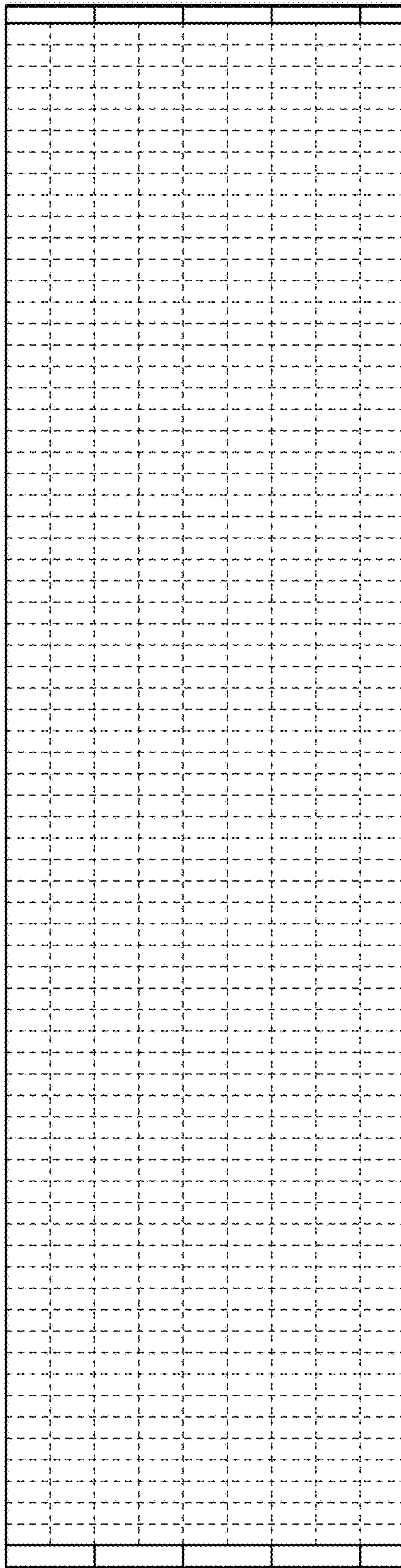


FIG. 4

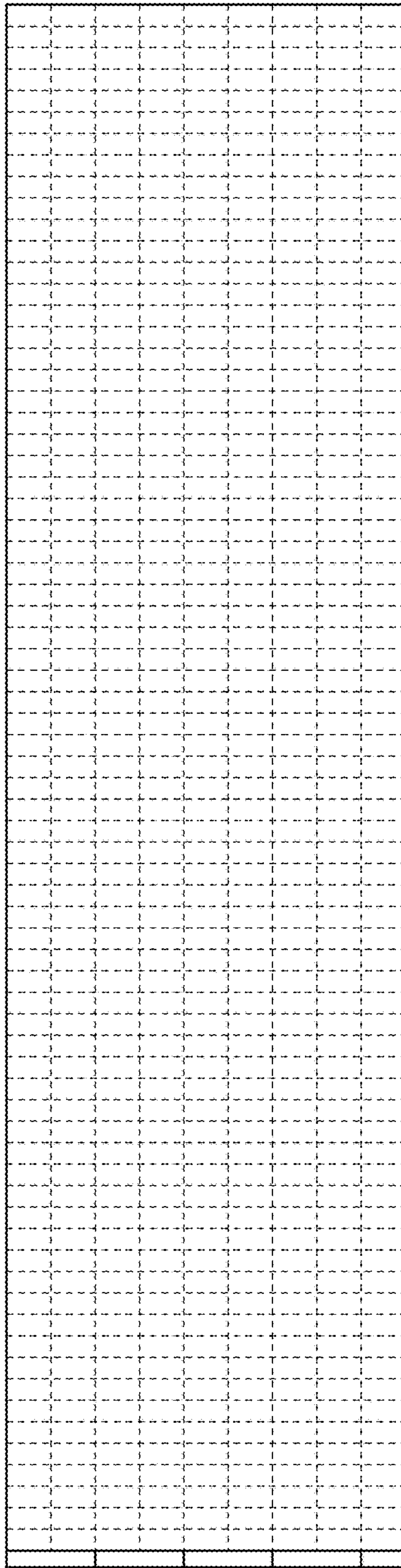


FIG. 5

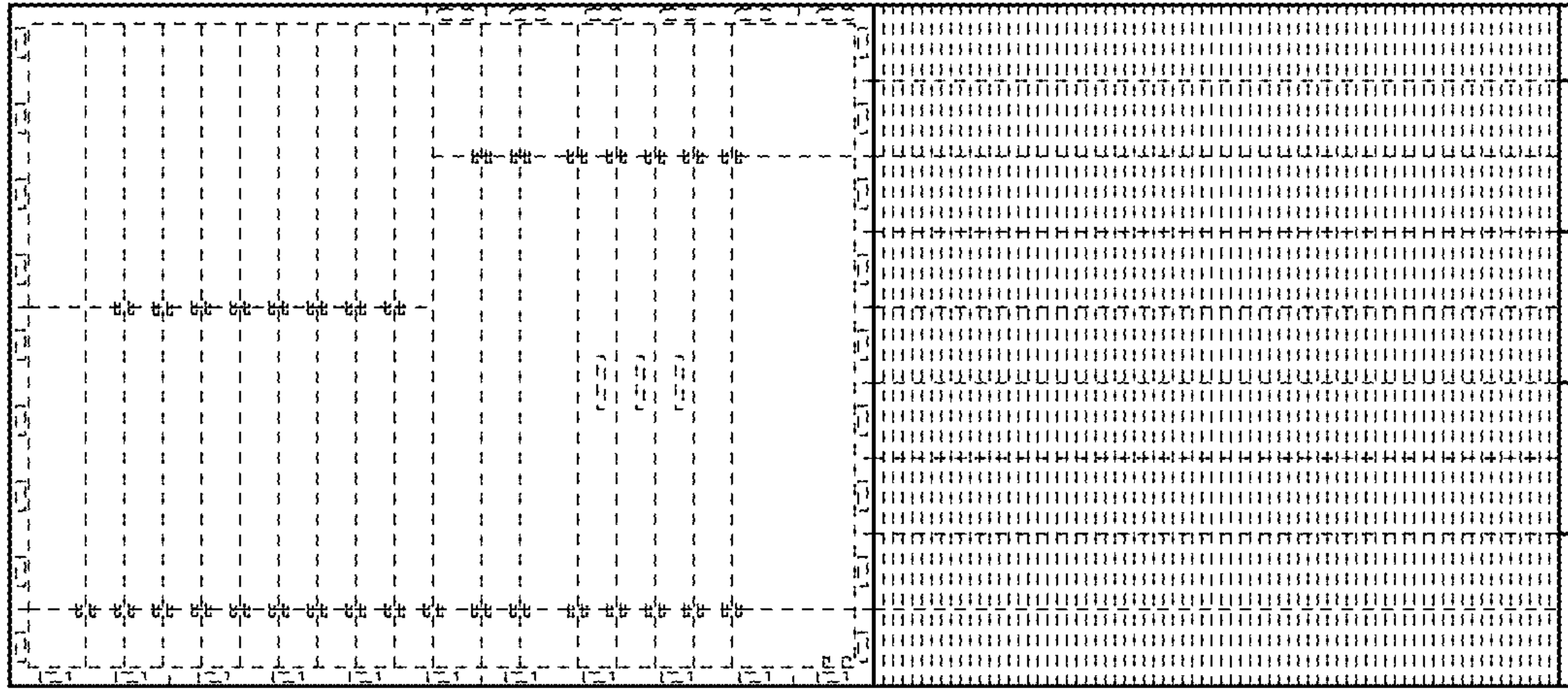


FIG. 6

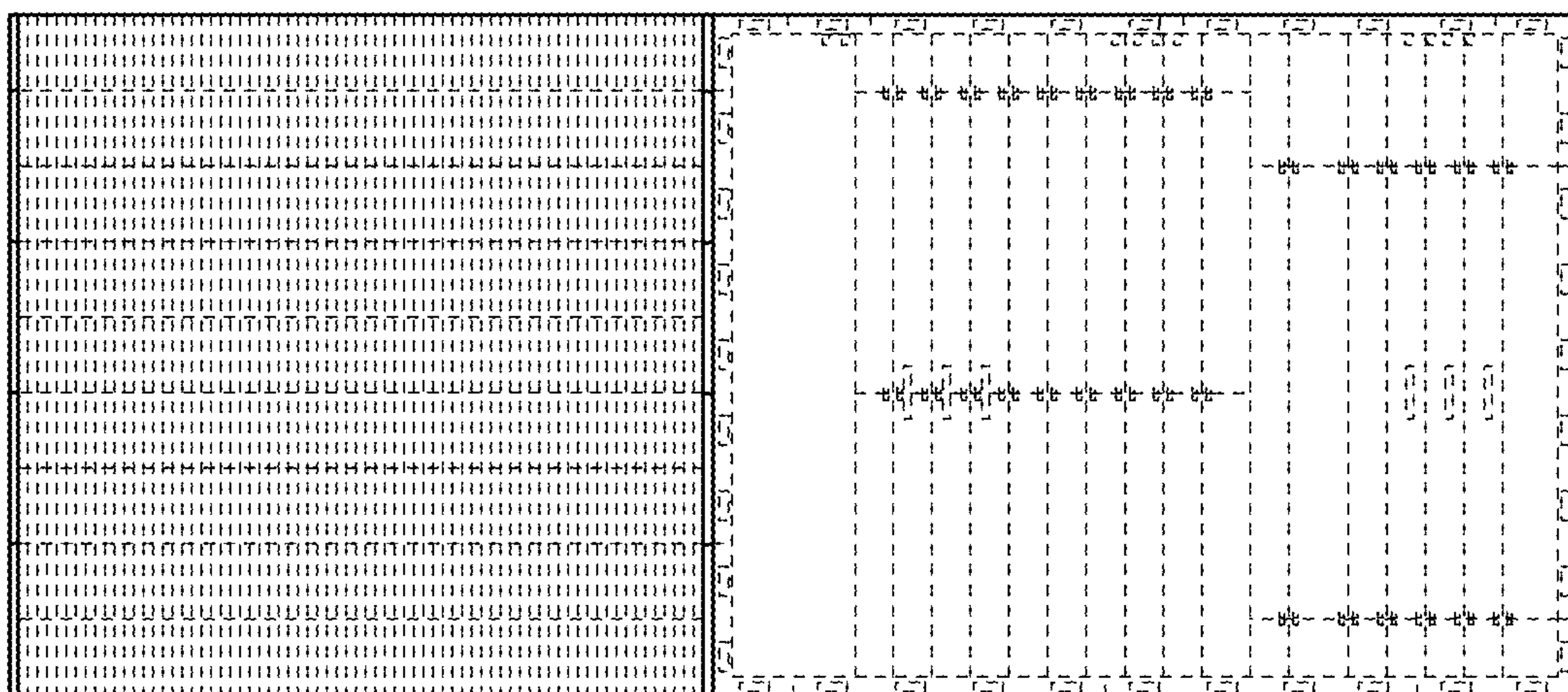


FIG. 7