



US00D831111S

(12) **United States Design Patent**  
**Kang**

(10) **Patent No.:** **US D831,111 S**  
(45) **Date of Patent:** **\*\* Oct. 16, 2018**

(54) **DRY ERASE BOARD**

(71) Applicant: **ACCO Brands Corporation**, Lake Zurich, IL (US)

(72) Inventor: **Seesong Kang**, Northbrook, IL (US)

(73) Assignee: **ACCO Brands Corporation**, Lake Zurich, IL (US)

(\*\*) Term: **15 Years**

(21) Appl. No.: **29/614,945**

(22) Filed: **Aug. 24, 2017**

**Related U.S. Application Data**

(63) Continuation of application No. 29/556,717, filed on Mar. 2, 2016, which is a continuation of application No. 29/556,718, filed on Mar. 2, 2016.

(51) **LOC (11) Cl.** ..... **19-06**

(52) **U.S. Cl.**  
USPC ..... **D19/113**

(58) **Field of Classification Search**  
USPC ..... D19/113, 114; D20/10, 19, 39, 40, 41, D20/42; D14/371, 373, 374  
CPC .. B43L 1/00; B43L 1/004; B43L 1/008; B43L 1/06; B43L 1/10; B43L 1/12; G09F 15/00; G09F 15/0006; G09F 15/0012; G09F 15/0018; G09F 15/0056; G09F 2007/1834; G09F 2007/1843; G09F 2007/1847

See application file for complete search history.

(56) **References Cited**

**U.S. PATENT DOCUMENTS**

1,688,139 A 10/1928 Fishel  
2,865,124 A 12/1958 Mortellito  
3,148,461 A \* 9/1964 Johnson ..... G09B 1/00  
359/872

D200,288 S \* 2/1965 Smythe ..... D20/41  
D213,625 S 3/1969 Jensen  
D230,238 S 2/1974 Coda  
D239,894 S \* 5/1976 Inman ..... D6/699.2  
(Continued)

**OTHER PUBLICATIONS**

Product name "Quartet Prestige 2 DuraMax Porcelain Magnetic Whiteboard", publicly available prior to Mar. 2, 2016, images available at <http://www.officedepot.com/a/products/120413/Quartet-Prestige-2-DuraMax-Porcelain-Magnetic/>.

(Continued)

*Primary Examiner* — Elizabeth A. Albert

(74) *Attorney, Agent, or Firm* — Michael Best & Friedrich LLP

(57) **CLAIM**

I claim the ornamental design for a dry erase board, as shown and described.

**DESCRIPTION**

FIG. 1 is a front perspective view of a dry erase board showing my new design.

FIG. 2 is a rear perspective view of the dry erase board of FIG. 1.

FIG. 3 is a front view of the dry erase board of FIG. 1.

FIG. 4 is a rear view of the dry erase board of FIG. 1.

FIG. 5 is a right side view of the dry erase board of FIG. 1.

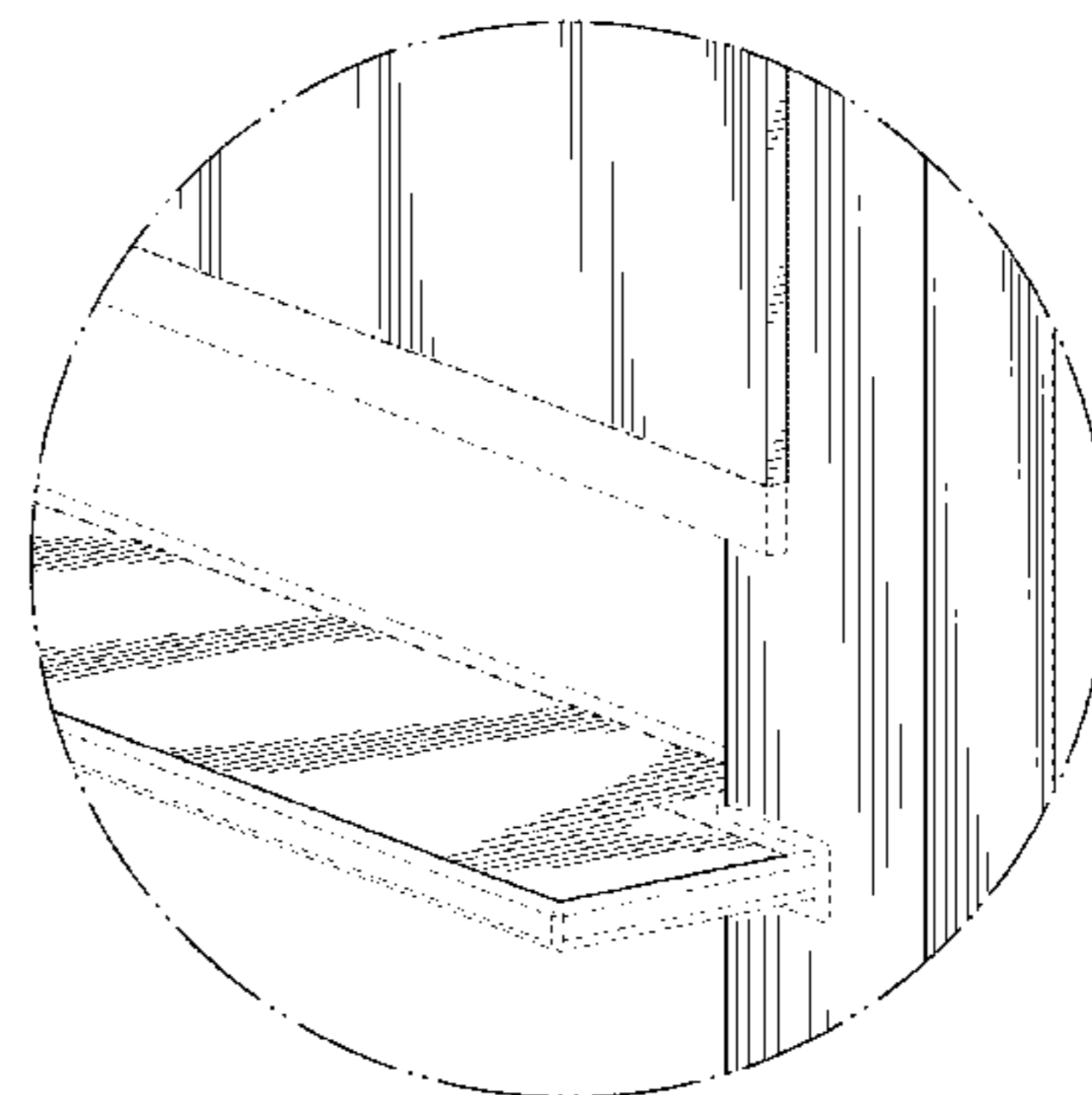
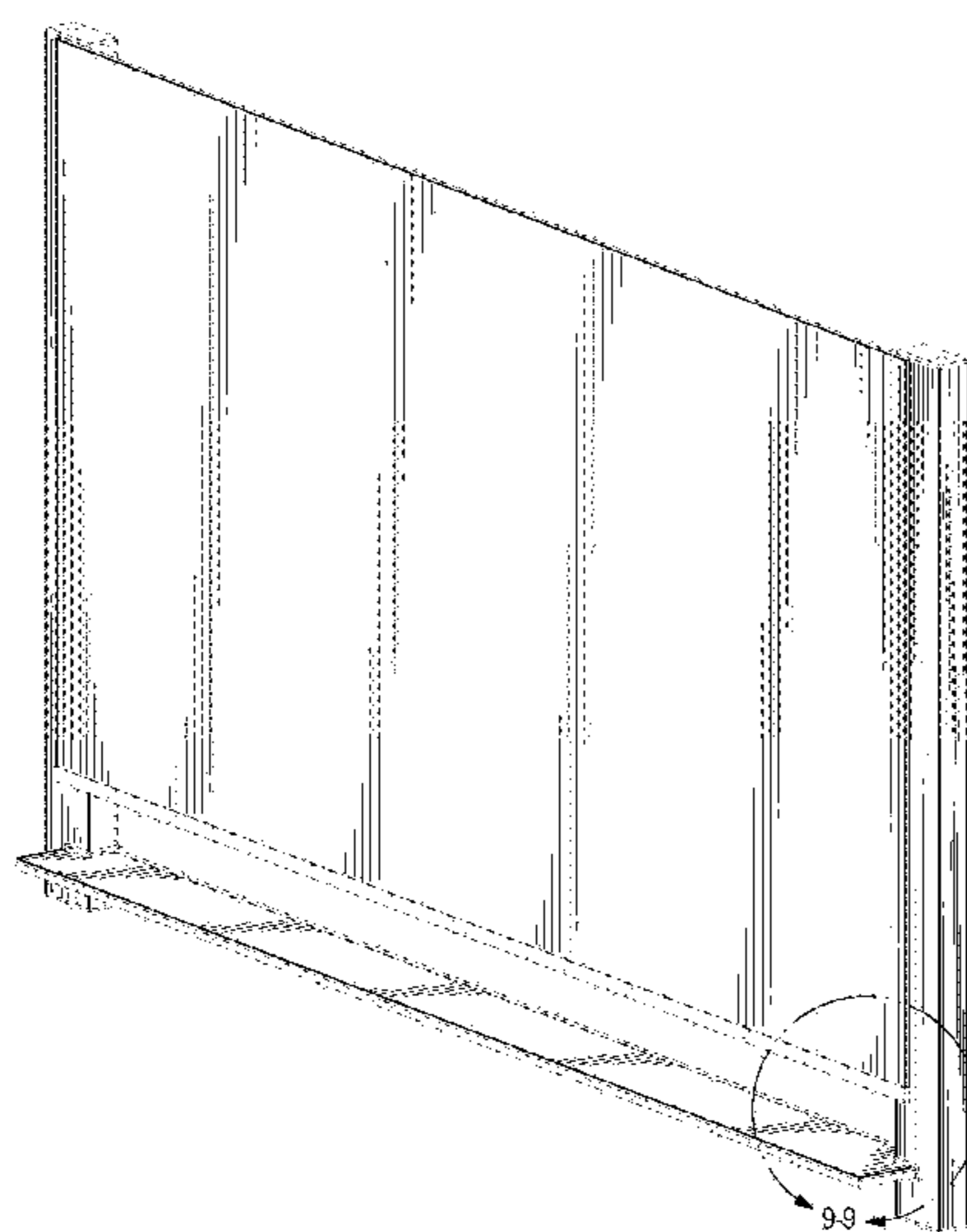
FIG. 6 is a left side view of the dry erase board of FIG. 1.

FIG. 7 is a top view of the dry erase board of FIG. 1.

FIG. 8 is a bottom view of the dry erase board of FIG. 1; and, FIG. 9 is a detail view of a portion of the dry erase board shown in FIG. 1.

In the drawings, the evenly-spaced broken lines depict environmental subject matter only that forms no part of the claim; the dash-dot-dash lines represent boundaries of the claimed design and form no part thereof.

**1 Claim, 7 Drawing Sheets**



(56)

References Cited

U.S. PATENT DOCUMENTS

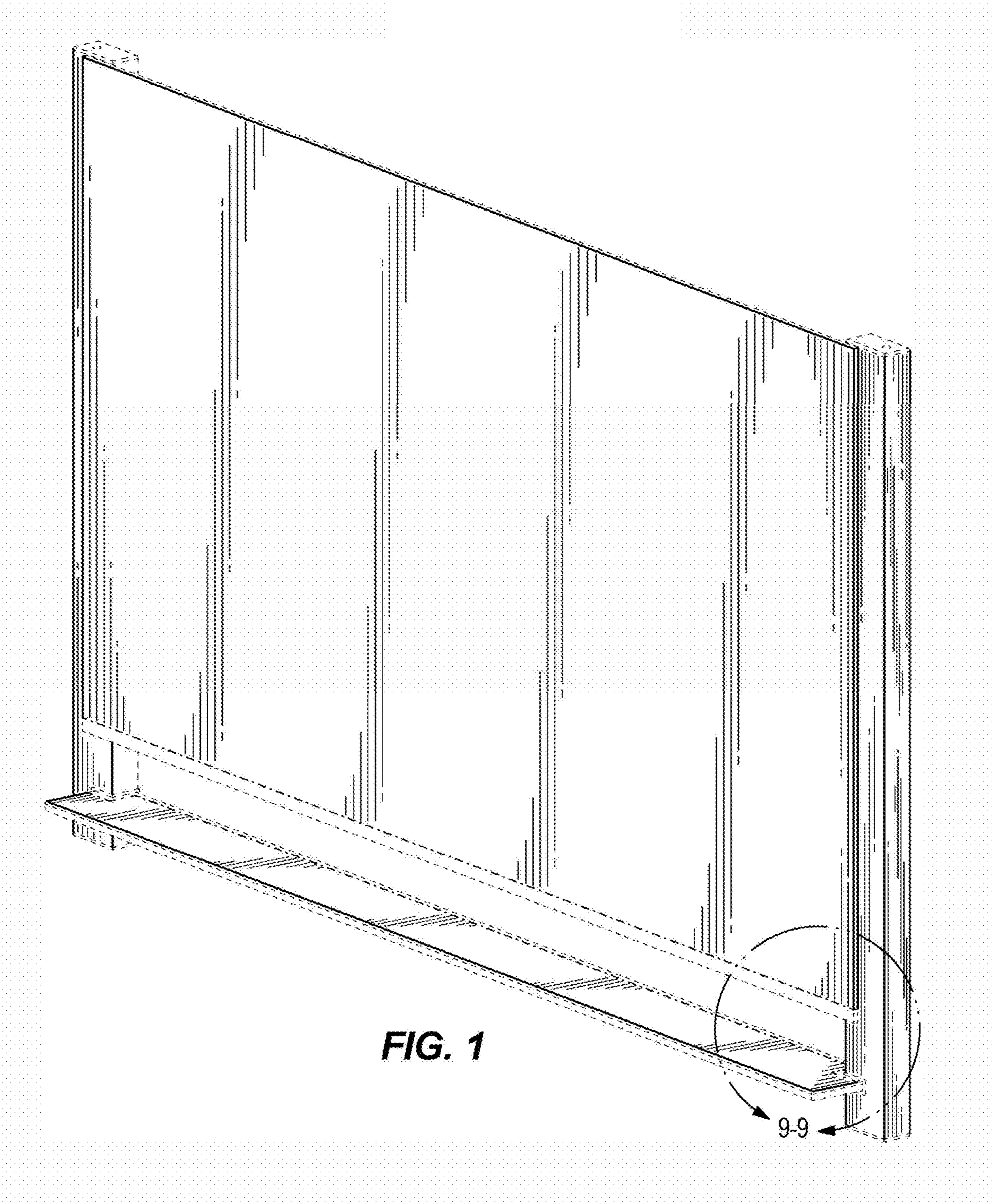
D243,378 S 2/1977 Tharp  
 4,144,664 A 3/1979 De Korte  
 4,209,927 A 7/1980 Donatelle  
 D257,093 S \* 9/1980 Brittner ..... D6/699  
 D261,208 S 10/1981 Whiting  
 D267,658 S \* 1/1983 Samuels, Jr. .... D20/42  
 4,408,407 A 10/1983 Bloom  
 D272,026 S 1/1984 Bevan  
 4,437,839 A 3/1984 Stempel  
 4,492,049 A 1/1985 Gaylor  
 D280,744 S 9/1985 Gaylor  
 D284,875 S 7/1986 Howard  
 5,018,291 A 5/1991 Pasquale  
 5,110,295 A \* 5/1992 Concra ..... B43L 1/00  
 434/368  
 D327,797 S \* 7/1992 Martin ..... D20/10  
 5,176,522 A 1/1993 Robertson, Jr.  
 5,203,129 A 4/1993 Johnson  
 D353,290 S 12/1994 Shafer  
 D365,535 S 12/1995 Muckler  
 5,502,907 A 4/1996 Wang  
 D381,182 S 7/1997 Whited  
 5,669,191 A 9/1997 Weaver  
 5,727,952 A 3/1998 Schenck  
 D401,625 S \* 11/1998 Verbeek ..... D19/114  
 D417,440 S \* 12/1999 Wilson ..... D10/93  
 6,230,427 B1 5/2001 McDaniel  
 D445,837 S 7/2001 Waterhouse  
 D450,776 S \* 11/2001 Albrecht ..... D20/10  
 D458,459 S 6/2002 Gottwald  
 6,619,003 B2 9/2003 Von Arx  
 D508,535 S 8/2005 Kosek  
 D525,219 S \* 7/2006 Williams ..... D14/126  
 D547,097 S \* 7/2007 Bastian ..... D6/707  
 D549,783 S 8/2007 Beno  
 D558,270 S 12/2007 Beno  
 D578,725 S \* 10/2008 Gunter ..... D99/17  
 D603,862 S \* 11/2009 Skinner ..... D14/337  
 D604,734 S 11/2009 Leonard  
 D617,834 S 6/2010 Vasconcelos

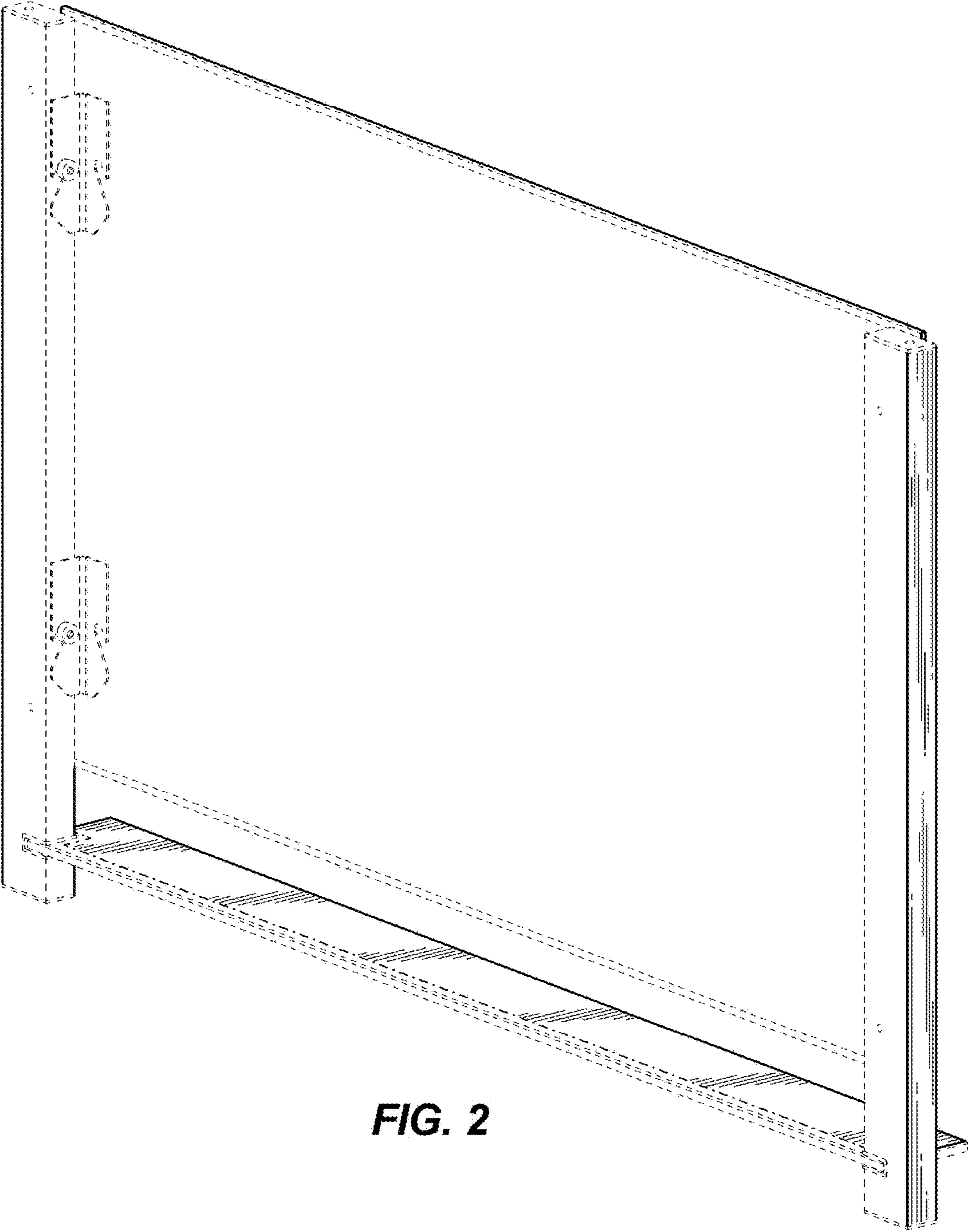
D627,394 S 11/2010 Nakayama  
 7,896,522 B2 3/2011 Heller  
 D661,124 S \* 6/2012 Curbbun ..... D20/10  
 D670,670 S \* 11/2012 Kim ..... D14/126  
 D671,170 S 11/2012 Udagawa  
 D690,361 S 9/2013 Kang  
 8,656,844 B2 \* 2/2014 Ceballos-Godefroy .....  
 A47F 5/10  
 108/115  
 D705,356 S 5/2014 Kang  
 D709,493 S 7/2014 Ahn  
 D717,753 S 11/2014 Totsuka  
 D723,484 S 3/2015 Hwangbo  
 9,068,738 B2 6/2015 Auyeung  
 9,092,065 B2 7/2015 Hsueh  
 D737,271 S \* 8/2015 Morrissey ..... D14/371  
 9,128,550 B2 9/2015 Imada  
 D751,648 S 3/2016 Gongola  
 9,285,889 B2 3/2016 Bateman  
 D754,621 S \* 4/2016 Dai ..... D14/126  
 9,311,832 B2 4/2016 Kanai  
 9,495,892 B2 11/2016 Gongola  
 D777,900 S 1/2017 Esposito  
 9,542,870 B2 1/2017 Auyeung  
 D807,312 S \* 1/2018 Jeong ..... D14/126  
 2011/0013183 A1 1/2011 Domaschko et al.  
 2013/0323707 A1 12/2013 Lyons  
 2015/0227201 A1 8/2015 Nakao  
 2015/0338974 A1 11/2015 Stone  
 2016/0179229 A1 6/2016 Ahn

OTHER PUBLICATIONS

Product name “Quartet Prestige Plus DuraMax Porcelain White-board”, publicly available prior to Mar. 2, 2016, images available at <http://canadianofficesupplies.com/acco-brands-corporation/quartet-prestige-plus-duramaxporcelain-whiteboard/QRTP567T/p>.  
 Product name “Quartet Infinity Magnetic White Glass Marker Board”, publicly available prior to Mar. 2, 2016, images available at <http://www.officedepot.com/a/products/190973/Quartet-Infinity-Magnetic-White-Glass-Marker/>.

\* cited by examiner





**FIG. 2**

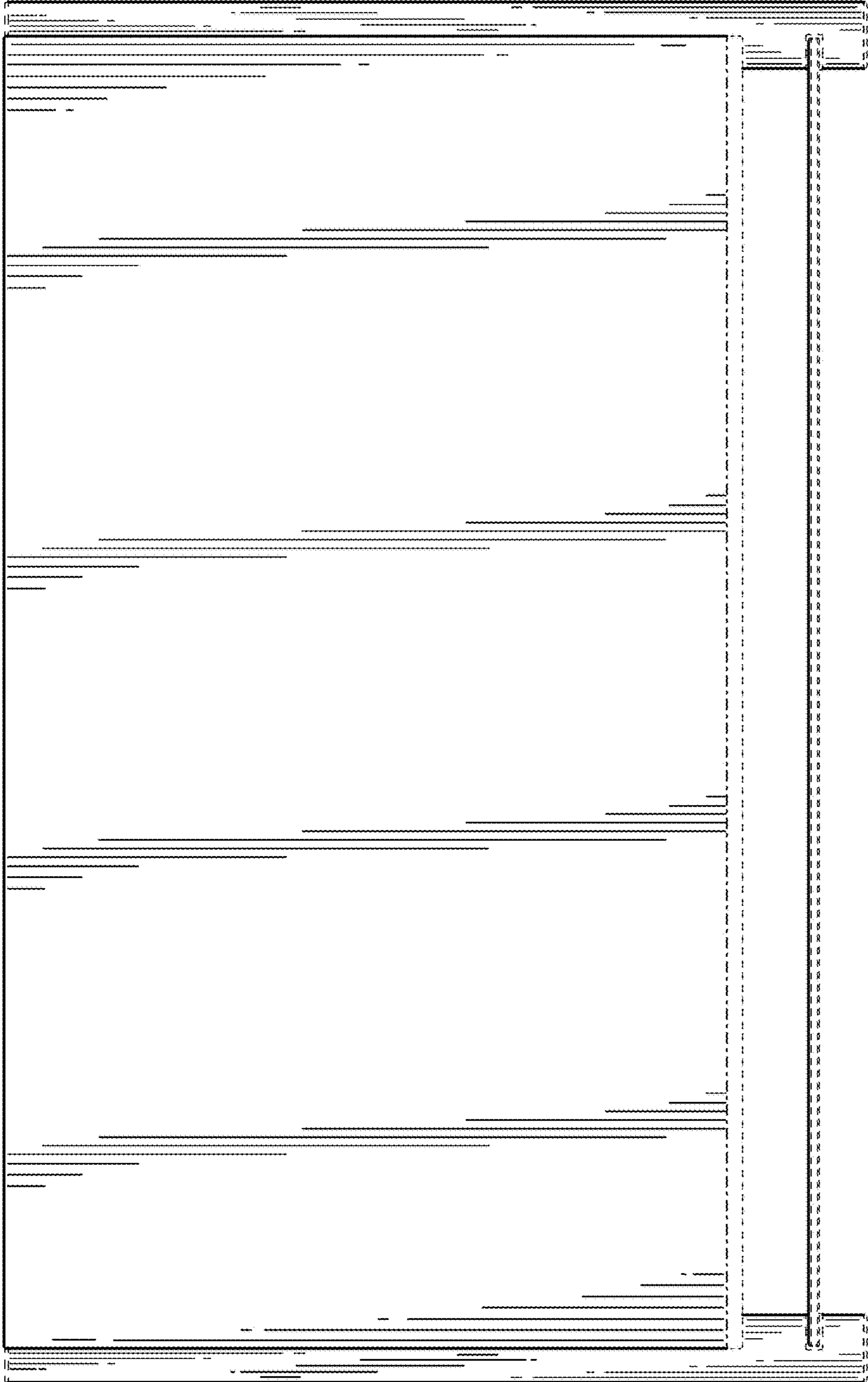
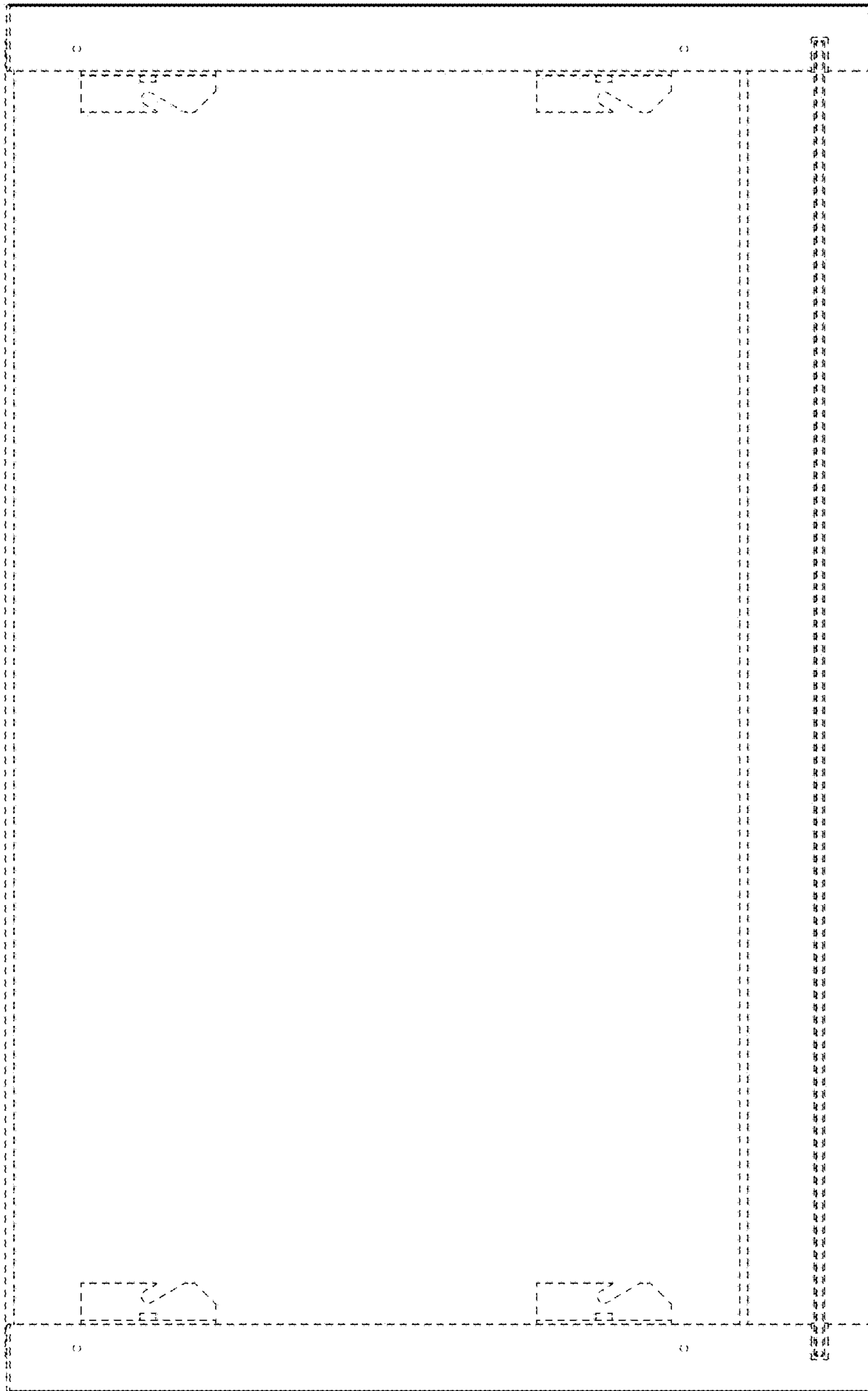


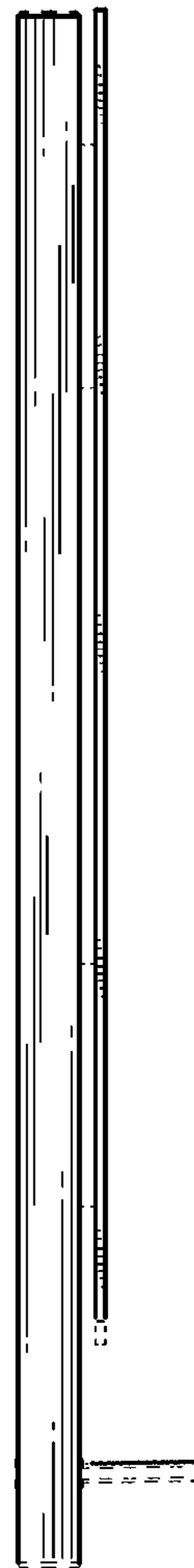
FIG. 3



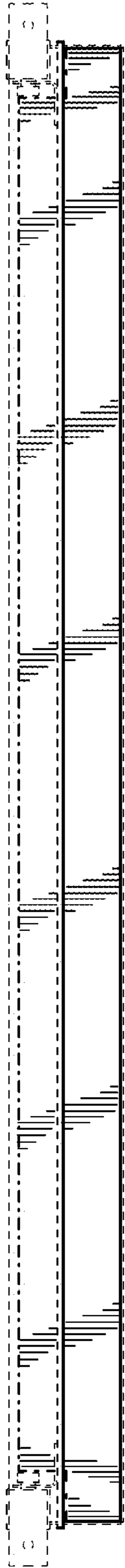
**FIG. 4**



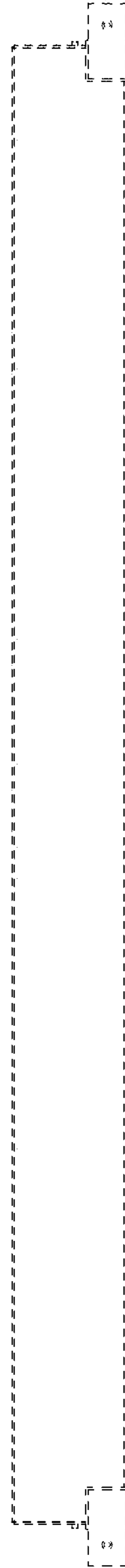
**FIG. 5**



**FIG. 6**

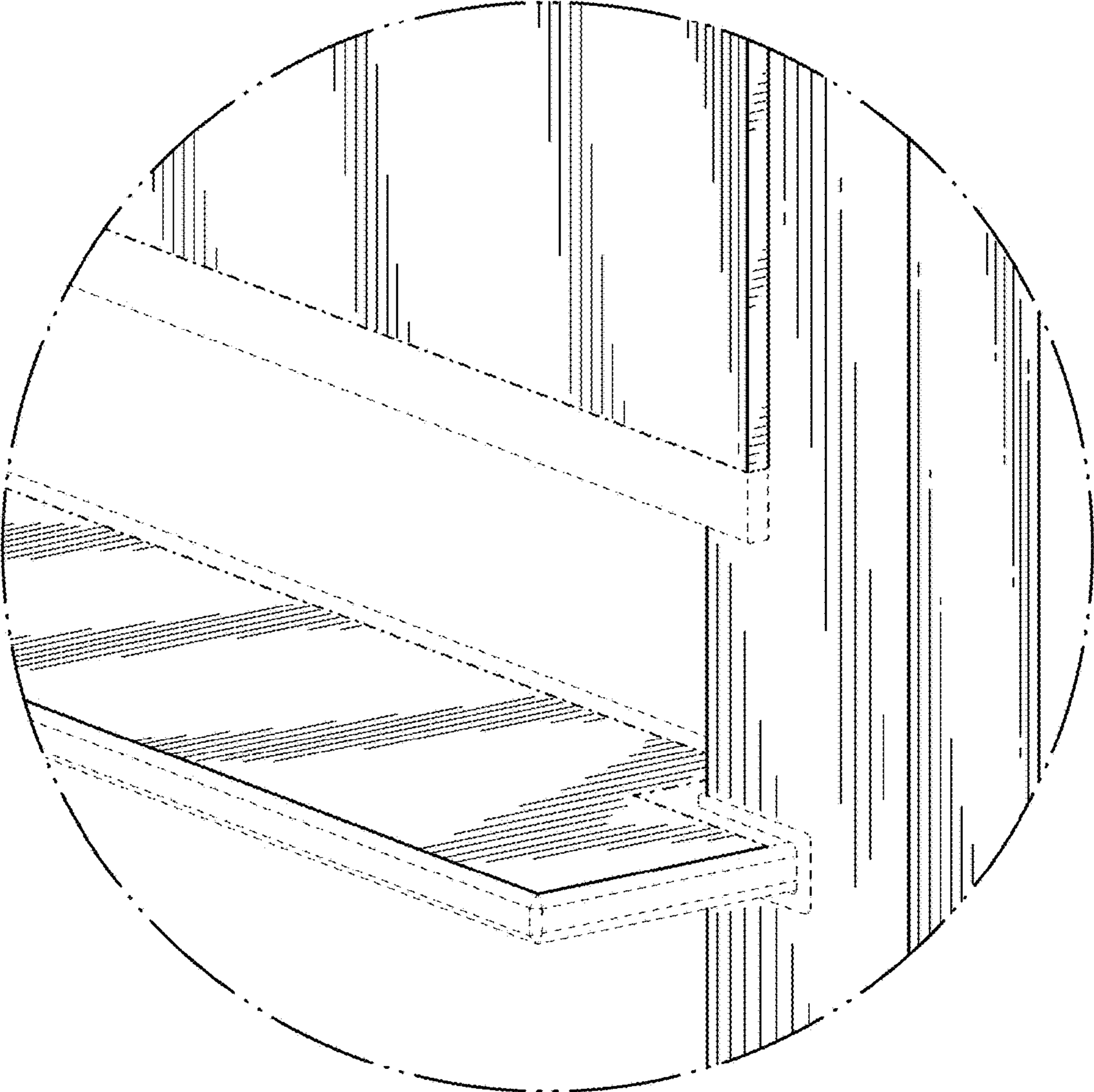


**FIG. 7**



**FIG. 8**





**FIG. 9**