



US00D831101S

(12) **United States Design Patent**
Li

(10) **Patent No.:** **US D831,101 S**

(45) **Date of Patent:** **** Oct. 16, 2018**

(54) **WIRELESS GUITAR TRANSMITTER**

Primary Examiner — Sheryl Lane

Assistant Examiner — Samantha N Wood

(71) Applicant: **Shenzhen Fzone Technology Co., Ltd.**,
Shenzhen, Guangdong (CN)

(74) *Attorney, Agent, or Firm* — Rankin, Hill & Clark
LLP

(72) Inventor: **Wei Li**, Guangdong (CN)

(73) Assignee: **Shenzhen Fzone Technology Co., Ltd.**,
Shenzhen, Guangdong (CN)

(57) **CLAIM**

The ornamental design for a wireless guitar transmitter, as
shown and described.

(**) Term: **15 Years**

(21) Appl. No.: **29/583,099**

(22) Filed: **Nov. 2, 2016**

DESCRIPTION

(30) **Foreign Application Priority Data**

May 6, 2016 (CN) 2016 3 0165464

(51) **LOC (11) Cl.** **17-03**

(52) **U.S. Cl.**
USPC **D17/20; D14/155**

(58) **Field of Classification Search**
USPC D17/21, 99, 20; D10/104.1, 104.2,
D10/106.1; D14/155, 158, 188, 217–218,
D14/167, 299

CPC H04R 1/086; H04R 1/406; H04R 3/00;
H04R 3/002; H04R 3/005; H04R 19/04;
H04R 19/016; G08B 13/1436; G08B
13/242; G08B 13/2442; G08B 13/2437;
H04M 1/19; G10H 1/0083

See application file for complete search history.

(56) **References Cited**

U.S. PATENT DOCUMENTS

D233,762 S * 11/1974 Suyama D14/155
D342,274 S * 12/1993 Ohki D17/1
D372,244 S * 7/1996 Yamazaki D14/218
D420,006 S * 2/2000 Tonino D14/218

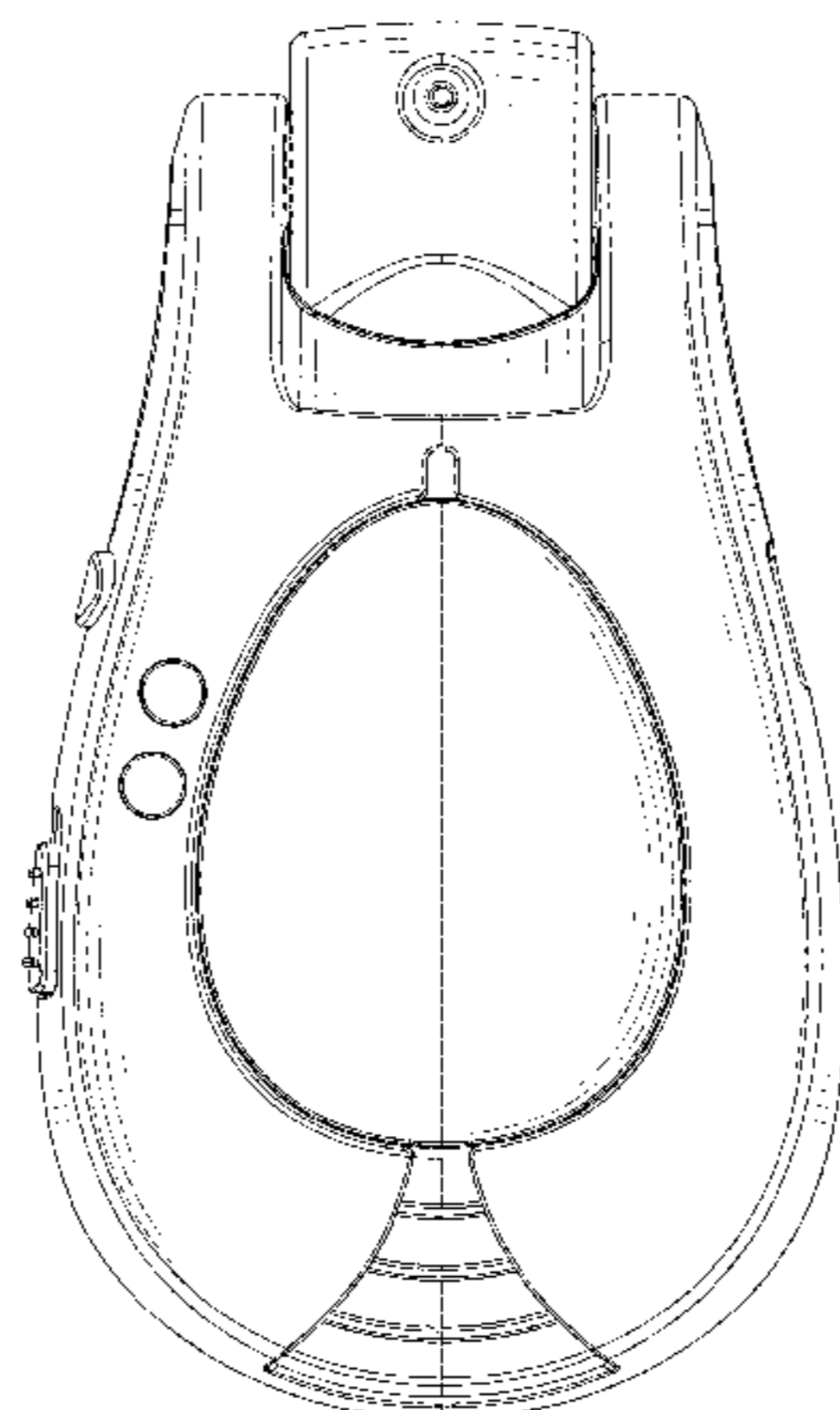
(Continued)

FOREIGN PATENT DOCUMENTS

CN 201430087475 * 4/2014
EP 0366442 A2 * 5/1990 G10H 1/0083

FIG. 1 is a front view of the wireless guitar transmitter in a folded state;
FIG. 2 is a rear view of the wireless guitar transmitter in a folded state;
FIG. 3 is a left side view of the wireless guitar transmitter in a folded state;
FIG. 4 is a right side view of the wireless guitar transmitter in a folded state;
FIG. 5 is a top view of the wireless guitar transmitter in a folded state;
FIG. 6 is a bottom view of the wireless guitar transmitter in a folded state;
FIG. 7 is a perspective view of the wireless guitar transmitter in a folded state;
FIG. 8 is a front view of the wireless guitar transmitter in an unfolded state;
FIG. 9 is a rear view of the wireless guitar transmitter in an unfolded state;
FIG. 10 is a left side view of the wireless guitar transmitter in an unfolded state;
FIG. 11 is a right side view of the wireless guitar transmitter in an unfolded state;
FIG. 12 is a top view of the wireless guitar transmitter in an unfolded state;
FIG. 13 is a bottom view of the wireless guitar transmitter in an unfolded state; and,
FIG. 14 is a perspective view of the wireless guitar transmitter in an unfolded state.

1 Claim, 14 Drawing Sheets



(56)

References Cited

U.S. PATENT DOCUMENTS

D463,391 S *	9/2002	Siokola	D14/155
D479,475 S *	9/2003	Dermikaelien-Covault	
			D10/104.1
D519,988 S *	5/2006	Tanaka	D13/168
D521,461 S *	5/2006	Lin	D13/168
D523,768 S *	6/2006	Kaufman	D10/104.1
D527,006 S *	8/2006	Francz	D14/218
D534,821 S *	1/2007	Chen	D10/104.1
D678,395 S *	3/2013	Strauser	D17/21
D716,767 S *	11/2014	Lee	D14/218

* cited by examiner

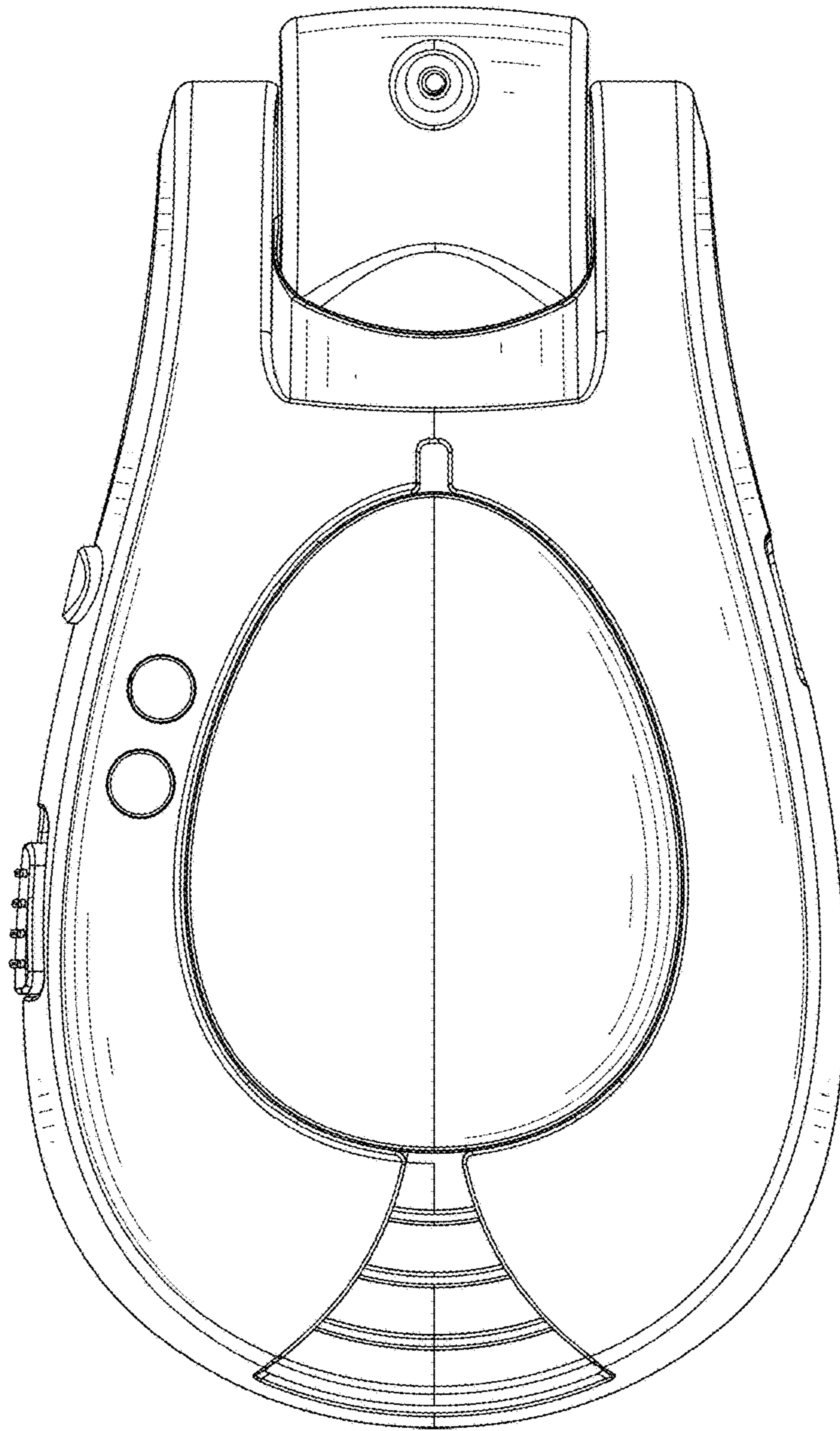


FIG. 1

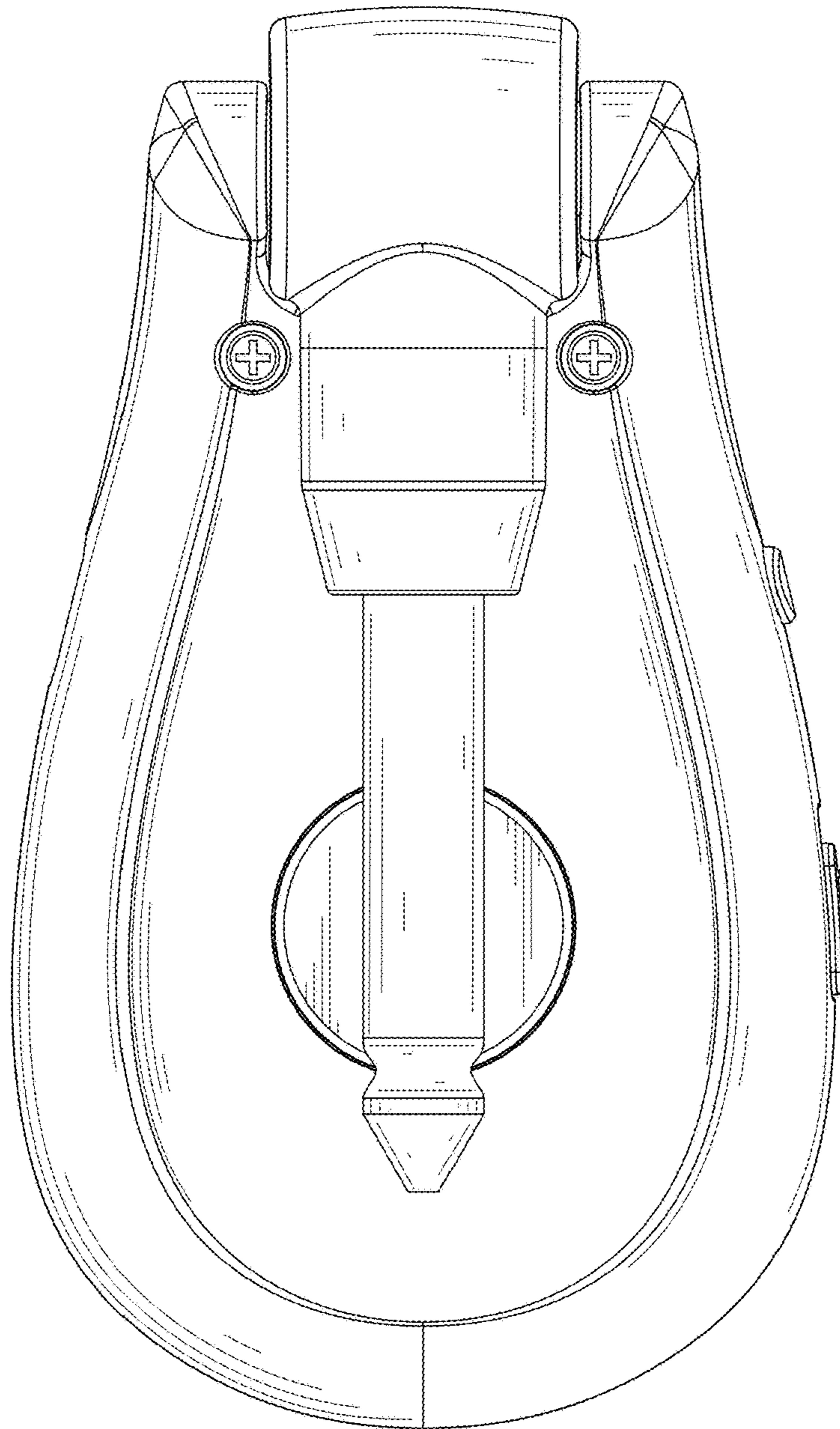


FIG. 2

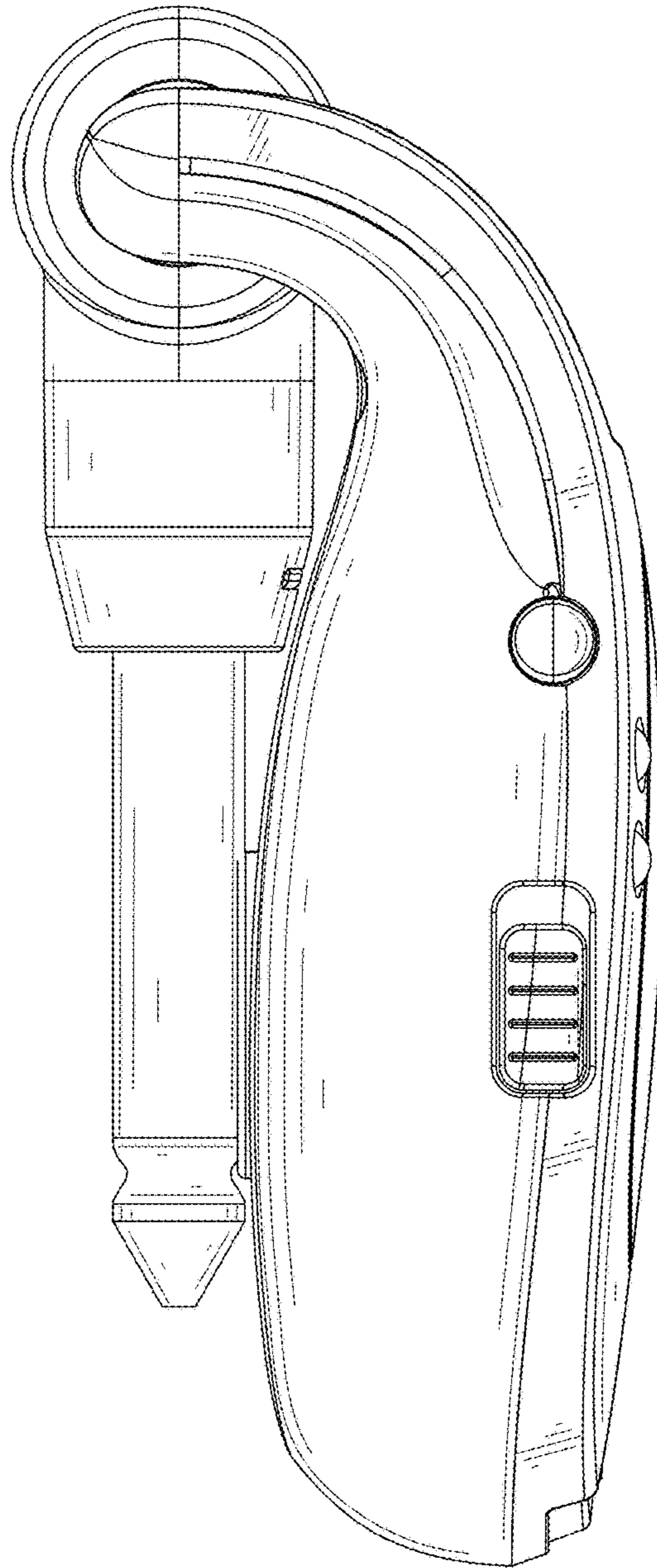


FIG. 3

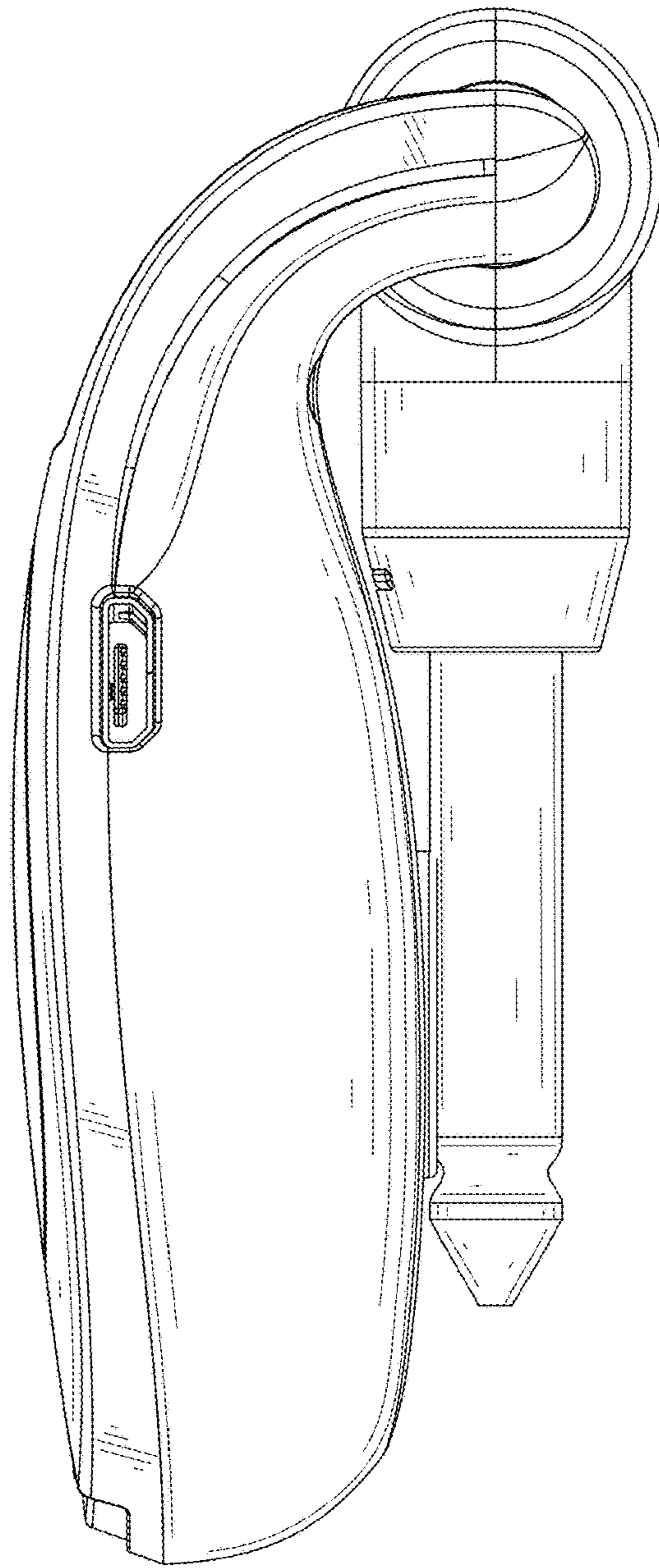


FIG. 4

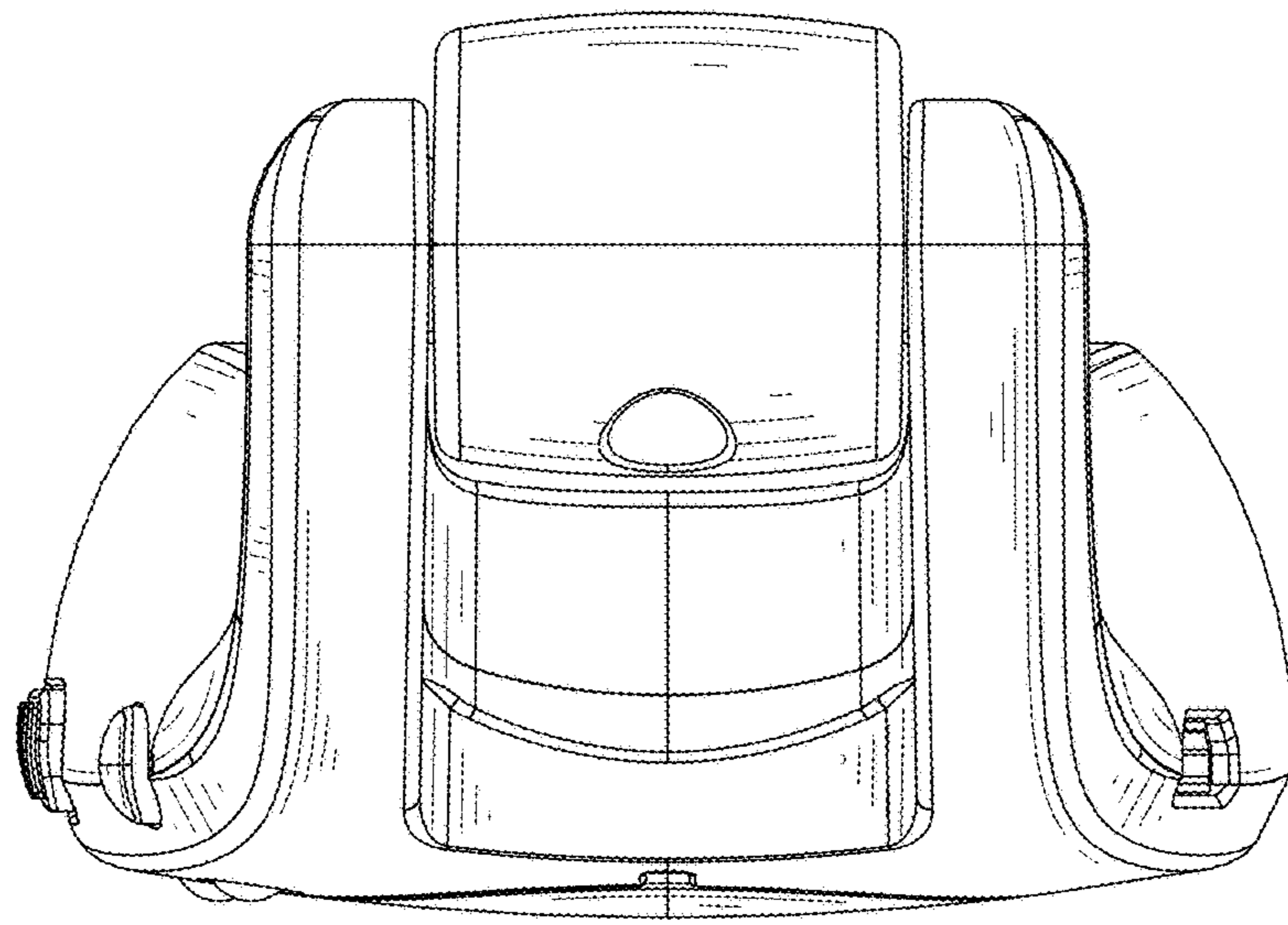


FIG. 5

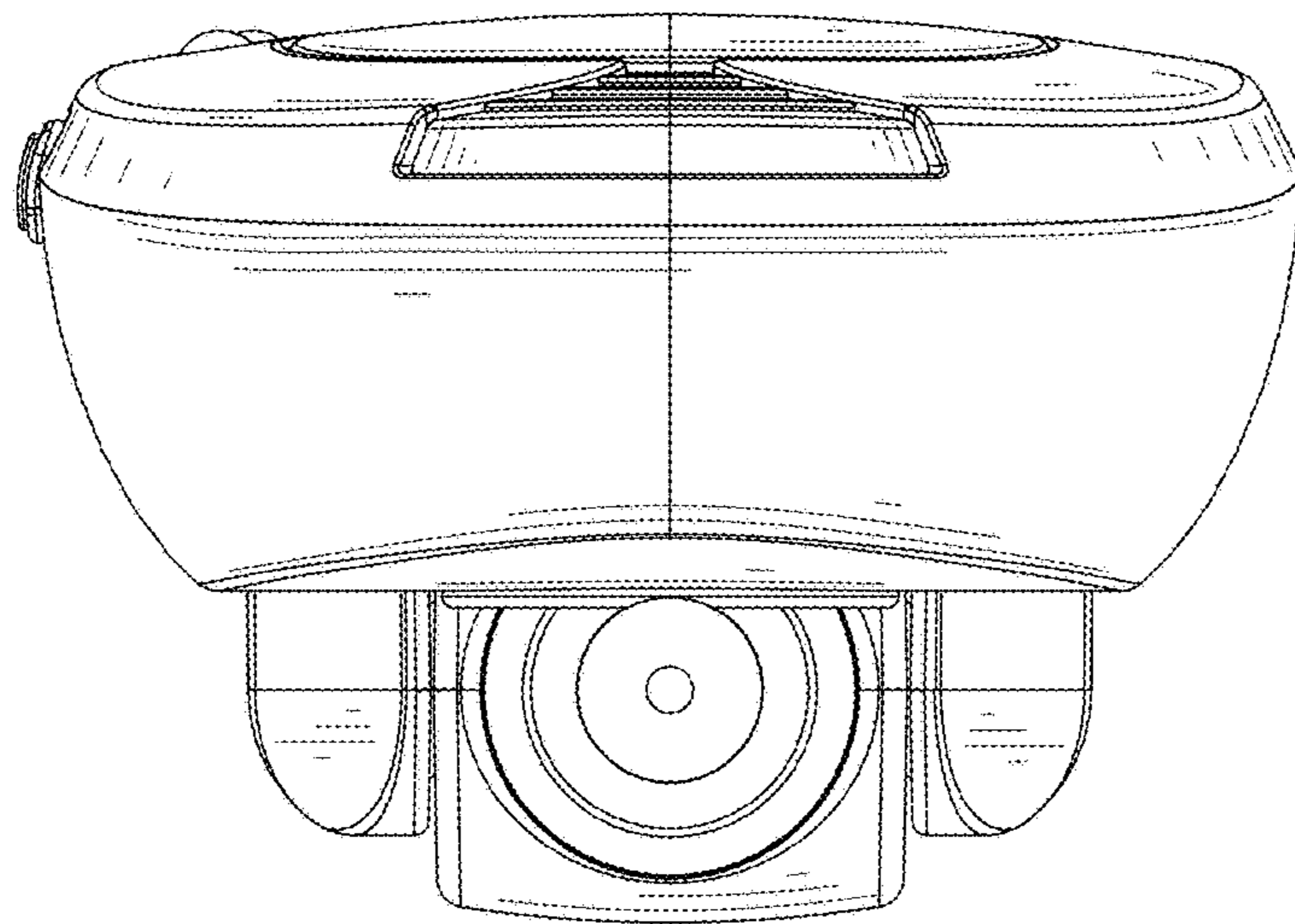


FIG. 6

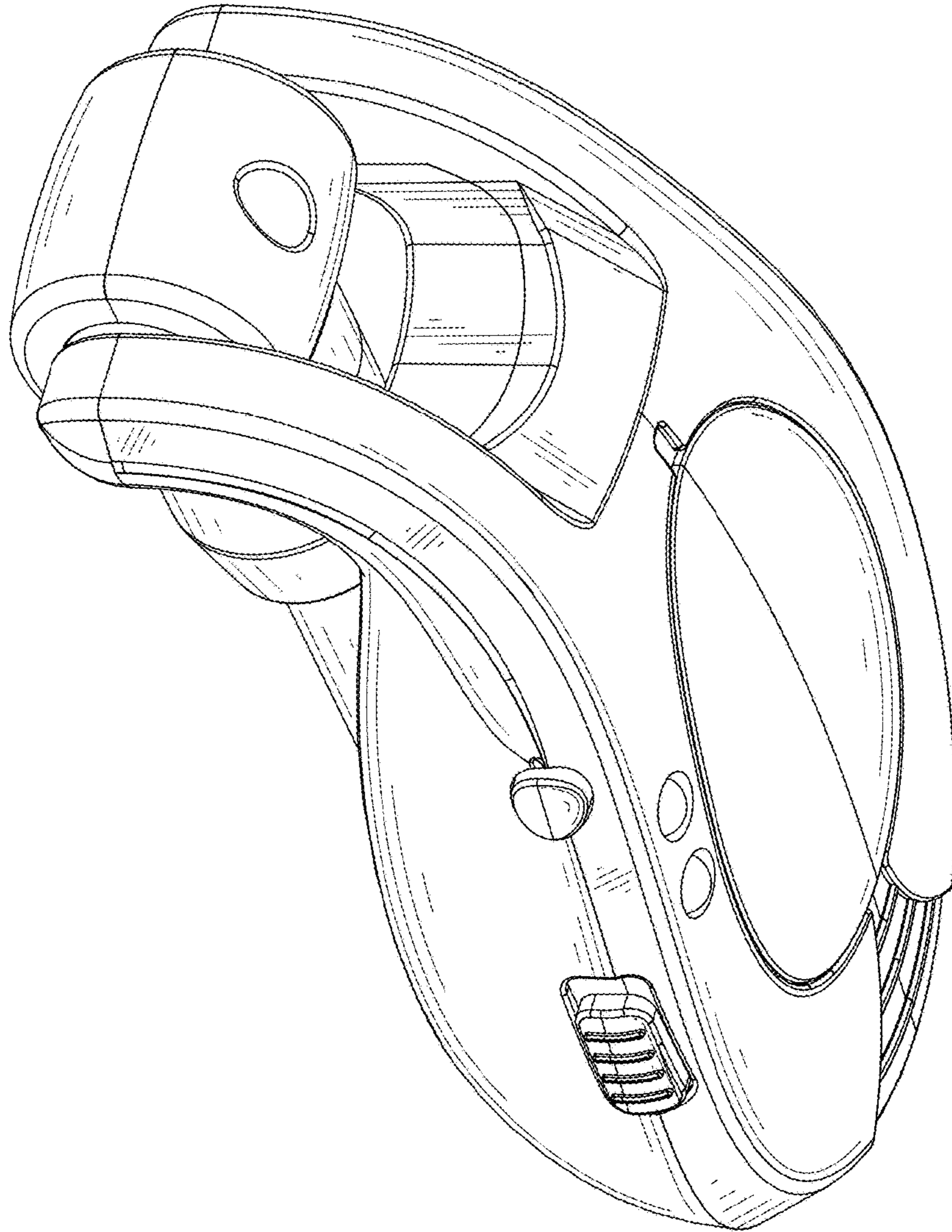


FIG. 7

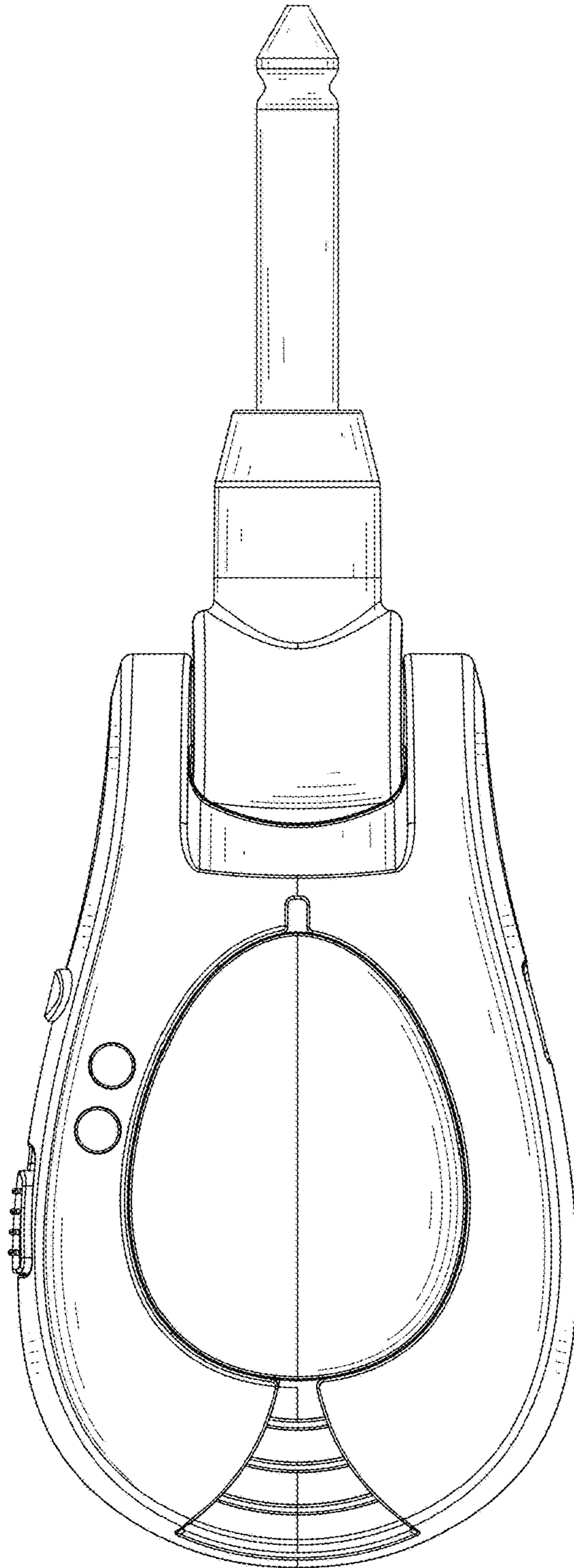


FIG. 8

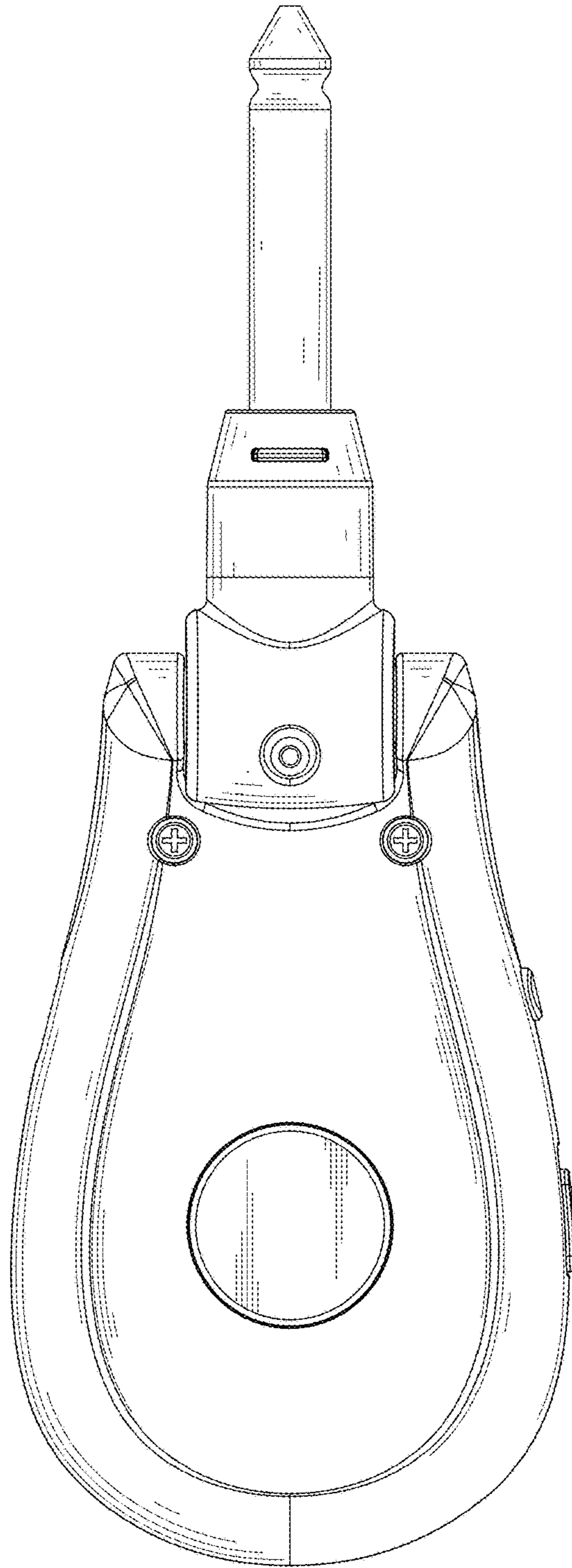


FIG. 9

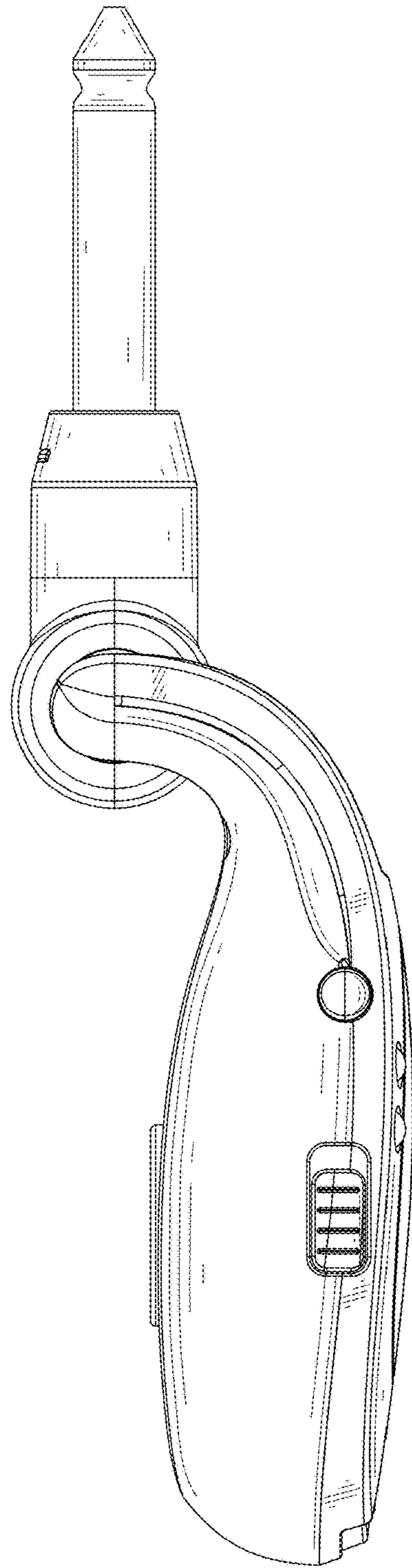


FIG. 10

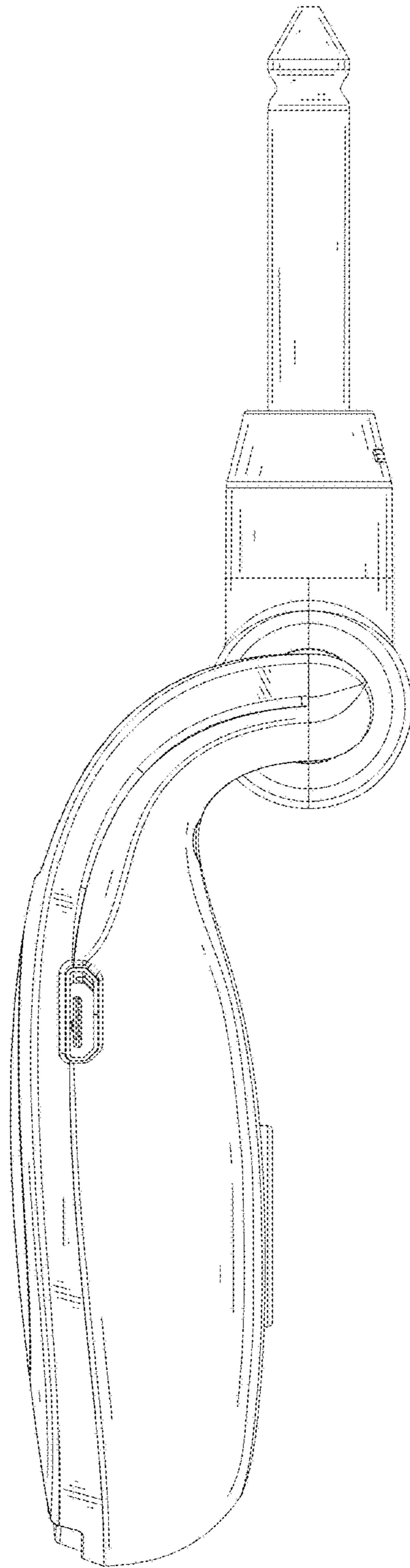


FIG. 11

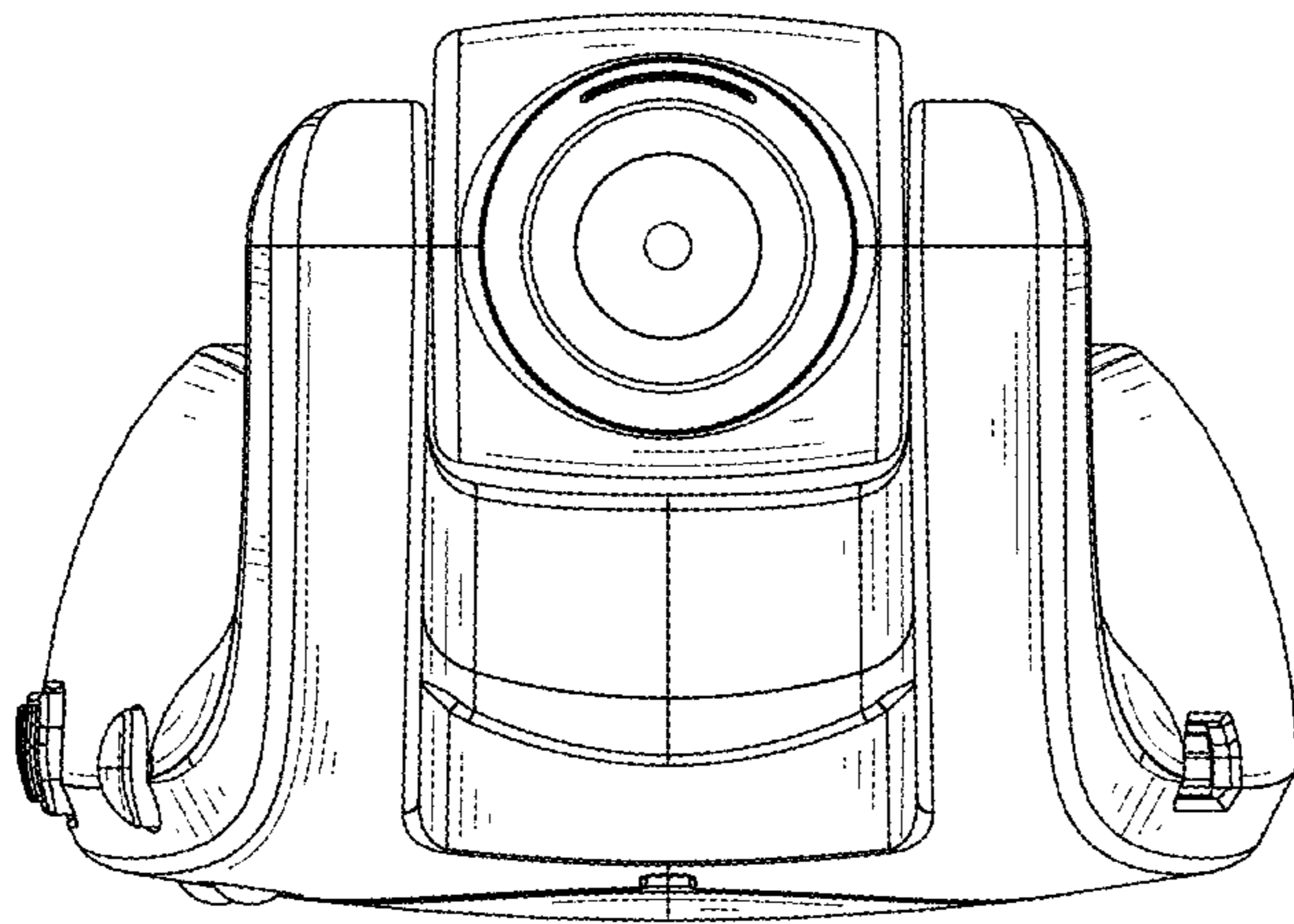


FIG. 12

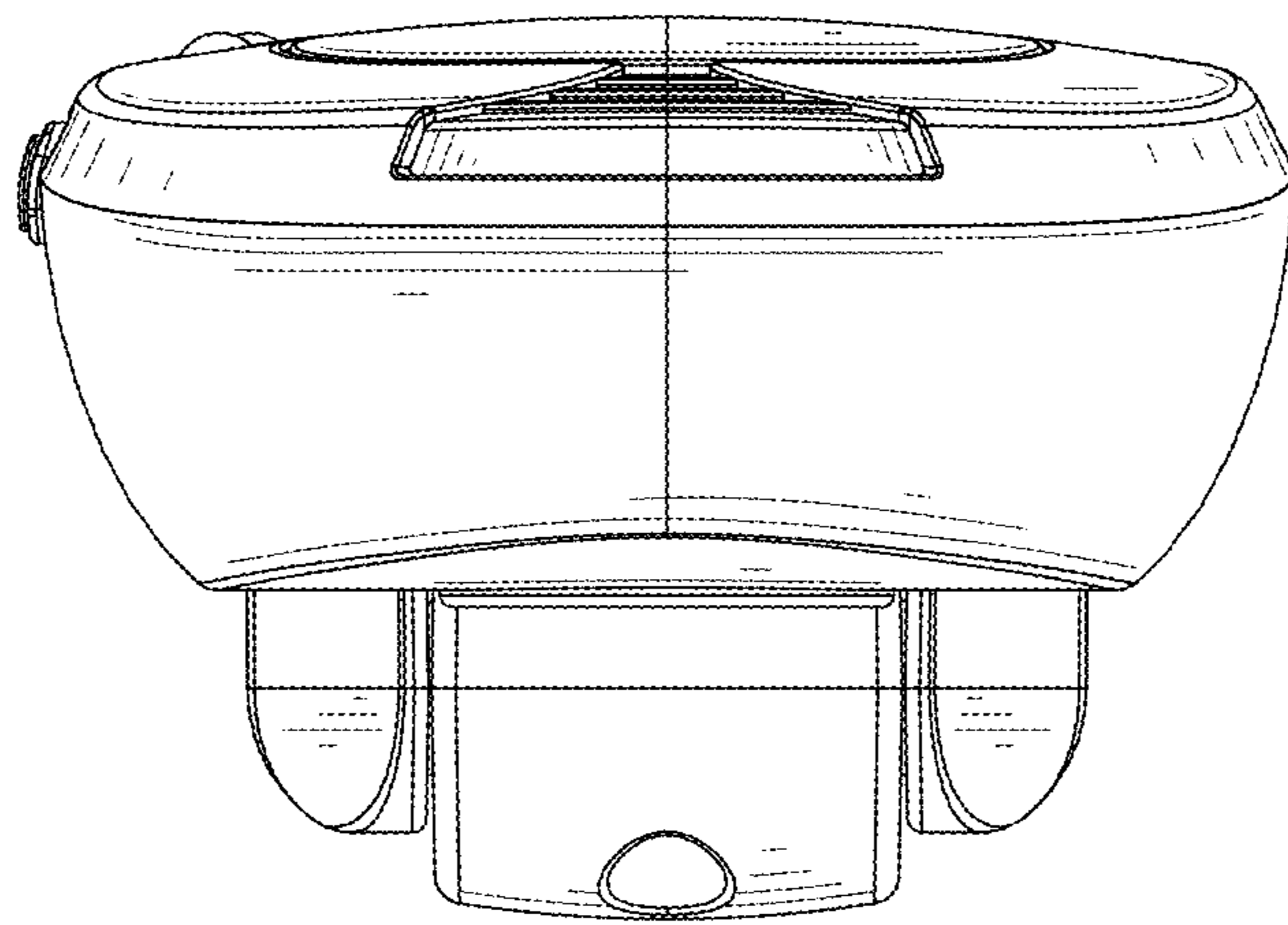


FIG. 13

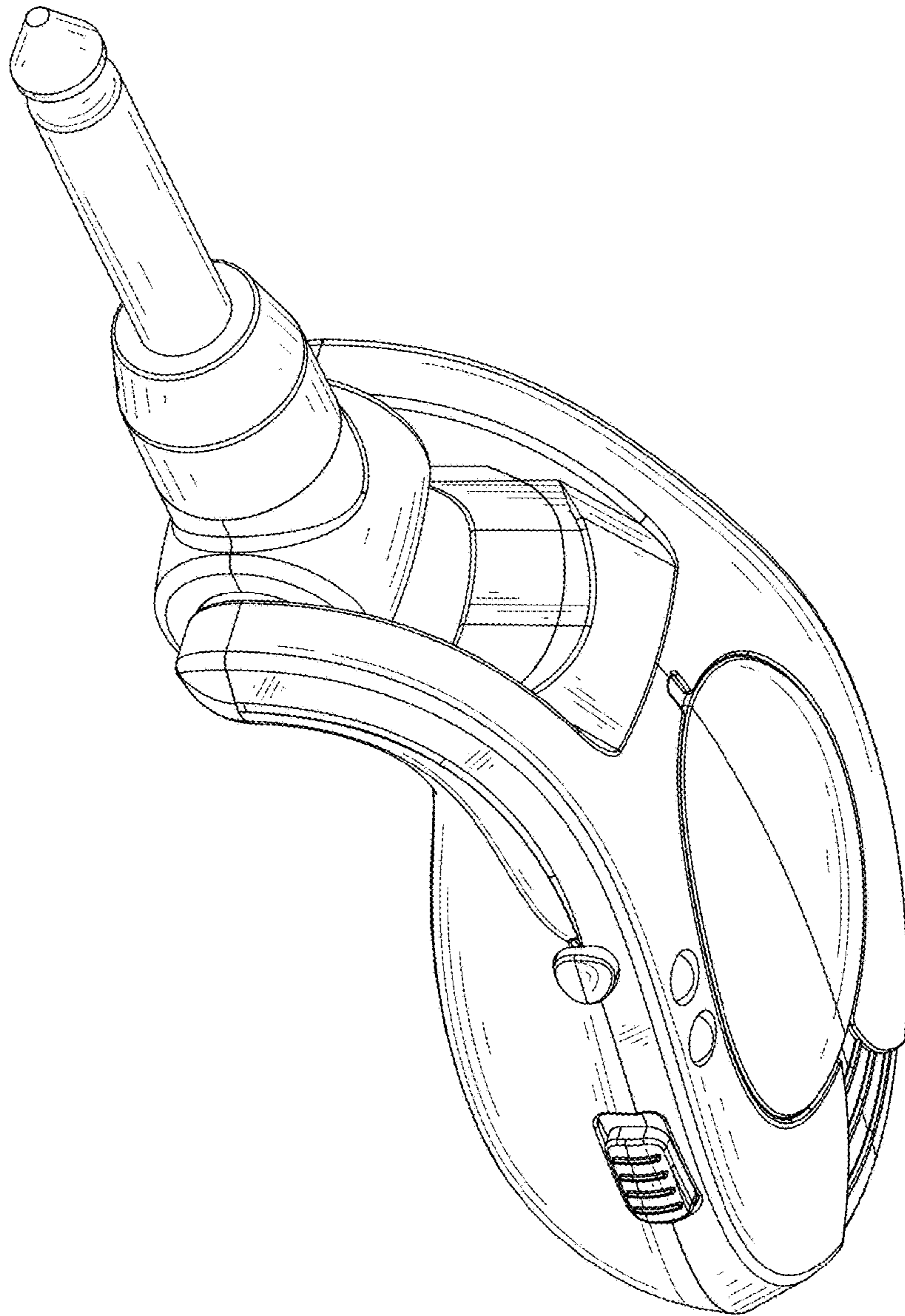


FIG. 14