



US00D831100S

(12) **United States Design Patent**
Chiang

(10) **Patent No.:** **US D831,100 S**
(45) **Date of Patent:** **** Oct. 16, 2018**

(54) **SWIMMING GOGGLE**

(71) Applicant: **Global Esprit Inc.**, New Taipei (TW)

(72) Inventor: **Herman Chiang**, New Taipei (TW)

(**) Term: **15 Years**

(21) Appl. No.: **29/611,275**

(22) Filed: **Jul. 20, 2017**

(51) **LOC (11) Cl.** **16-06**

(52) **U.S. Cl.**
USPC **D16/311**

(58) **Field of Classification Search**
USPC D16/101, 300–342, 900; D29/109–110;
D21/483, 659–661; D14/372; 351/41,
351/44, 45–48, 51–52, 62, 158, 92,
351/103–123, 140–153, 63, 59; 2/13, 15,
2/426–432, 447–449, 441, 434–437
CPC G02C 2200/08; G02C 1/06; G02C 5/14;
G02C 11/02; G02C 11/04; G02C 5/16;
G02C 2200/22; G02C 5/146; G02C
5/2254; G02C 5/008; G01C 5/16; A61M
2021/0044; A63B 33/002
See application file for complete search history.

(56) **References Cited**

U.S. PATENT DOCUMENTS

D555,700	S	*	11/2007	Chiang	D16/303
D574,032	S	*	7/2008	Chiang	D16/303
D585,472	S	*	1/2009	Chiang	D16/303
D589,076	S	*	3/2009	Chiang	D16/303
D589,077	S	*	3/2009	Chiang	D16/303
D590,002	S	*	4/2009	Chiang	D16/303
D601,610	S	*	10/2009	Chiang	D16/303
D613,786	S	*	4/2010	Chiang	D16/303
D633,549	S	*	3/2011	Chiang	D16/303
D646,709	S	*	10/2011	Mitchell	D16/306
8,042,937	B2	*	10/2011	Iimura	G02C 5/16 351/111
D648,371	S	*	11/2011	Chiang	D16/303

D648,771	S	*	11/2011	Rohrbach	D16/325
D649,579	S	*	11/2011	Thixton	D16/321
D653,699	S	*	2/2012	Shin	D16/320
8,117,680	B1	*	2/2012	Chou	A63B 33/002 2/450
D676,898	S	*	2/2013	Shin	D16/335
D689,115	S	*	9/2013	Kim	D16/309
D696,337	S	*	12/2013	Chiang	D16/303
D711,958	S	*	8/2014	Yoo	D16/300
D714,858	S	*	10/2014	Thixton	D16/326
D717,858	S	*	11/2014	Chiang	D16/303
D717,861	S	*	11/2014	Chiang	D16/303
D717,862	S	*	11/2014	Chiang	D16/303
D717,863	S	*	11/2014	Chiang	D16/303
D720,799	S	*	1/2015	Thixton	D16/326

(Continued)

OTHER PUBLICATIONS

Barracuda Dr.B Optical Swim Goggle F940—Honeycomb-structured Gaskets, review dated Jan. 5, 2018, [online], [site visited Jul. 14, 2018]. Available from Internet, <URL: https://www.amazon.com/gp/product/B073TVBRV4/ref=s9_acsd_hps_bw_c_x_4_w#customerReviews> (Year: 2017).*

Primary Examiner — Michelle E. Wilson

Assistant Examiner — Sanjeev Paul

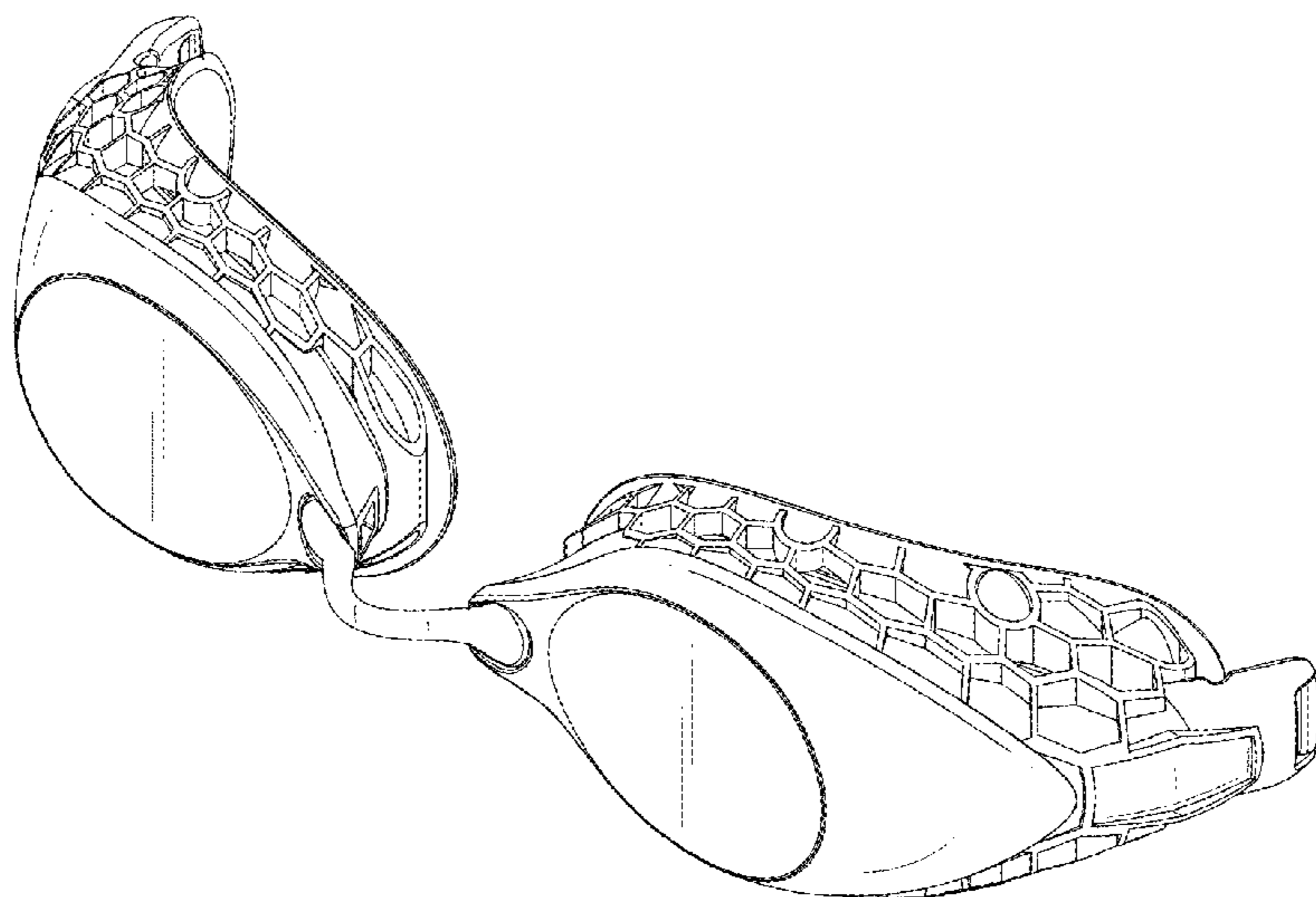
(57) **CLAIM**

The ornamental design for a swimming goggle, as shown and described.

DESCRIPTION

FIG. 1 is a perspective view of a swimming goggle showing my new design;
FIG. 2 is a front elevational view thereof;
FIG. 3 is a rear elevational view thereof;
FIG. 4 is a left elevational view thereof;
FIG. 5 is a right elevational view thereof;
FIG. 6 is a top plan view thereof; and,
FIG. 7 is a bottom plan view thereof.

1 Claim, 7 Drawing Sheets



(56)

References Cited

U.S. PATENT DOCUMENTS

D723,611 S * 3/2015 Chiang D16/303
 D723,612 S * 3/2015 Chiang D16/303
 D727,396 S * 4/2015 Markovitz D16/300
 D728,008 S * 4/2015 Thixton D16/335
 D735,797 S * 8/2015 Aquino D16/309
 D745,081 S * 12/2015 Ooba D16/303
 D745,082 S * 12/2015 Ooba D16/311
 D746,367 S * 12/2015 Shin D16/326
 D754,244 S * 4/2016 Shin D16/335
 D763,944 S * 8/2016 Shin D16/326
 D763,946 S * 8/2016 Chae D16/326
 D763,949 S * 8/2016 Shin D16/335
 D769,963 S * 10/2016 Shin D16/335
 D771,739 S * 11/2016 Shin D16/326
 D776,750 S * 1/2017 Kavooosi D16/323
 D783,707 S * 4/2017 Uhm D16/335
 D786,336 S * 5/2017 Dandachli D16/335
 9,684,187 B2 * 6/2017 Rasier G02C 3/006
 D799,586 S * 10/2017 Thixton D16/335
 D801,425 S * 10/2017 Uhm D16/335
 D809,056 S * 1/2018 Flake D16/330
 9,864,210 B2 * 1/2018 Wang Lee G02C 5/143
 D810,815 S * 2/2018 Yoo D16/335
 D812,129 S * 3/2018 Pinkney D16/334
 D818,519 S * 5/2018 Thixton D16/321
 9,964,779 B2 * 5/2018 Poole G02C 7/10
 9,983,417 B1 * 5/2018 Huang G02C 5/2209
 D820,347 S * 6/2018 Chae D16/335
 2002/0170108 A1 * 11/2002 Chiang A63B 33/002
 2002/0194669 A1 * 12/2002 Takeshi A63B 33/002
 2/442
 2/452

2004/0187196 A1 * 9/2004 Haslbeck A63B 33/002
 2/426
 2004/0187197 A1 * 9/2004 Chiang A63B 33/002
 2/445
 2004/0210991 A1 * 10/2004 Chiang A63B 33/002
 2/445
 2008/0263753 A1 * 10/2008 Chiang A63B 33/002
 2/431
 2009/0064399 A1 * 3/2009 Chou A63B 33/002
 2/442
 2009/0300828 A1 * 12/2009 Chiang A63B 33/002
 2/428
 2010/0024098 A1 * 2/2010 Chiang A63B 33/002
 2/428
 2011/0004981 A1 * 1/2011 Chiang A63B 33/002
 2/446
 2011/0088150 A1 * 4/2011 Tominaga A63B 33/002
 2/440
 2011/0302702 A1 * 12/2011 Chiang A63B 33/002
 2/442
 2014/0331395 A1 * 11/2014 Chiang A63B 33/002
 2/442
 2015/0055079 A1 * 2/2015 Holzer G02C 5/001
 351/86
 2015/0346518 A1 * 12/2015 Levy G02C 11/02
 351/52
 2016/0016047 A1 * 1/2016 Chiang A63B 33/002
 2/440
 2016/0030811 A1 * 2/2016 Chiang A63B 33/002
 2/442
 2016/0266401 A1 * 9/2016 Wong G02C 1/08
 2017/0176770 A1 * 6/2017 Wang Lee G02C 5/16
 2017/0205640 A1 * 7/2017 Lucero G02C 11/10
 2017/0252609 A1 * 9/2017 Chiang A63B 33/002
 2018/0081200 A1 * 3/2018 Giordanetti G02C 1/06

* cited by examiner

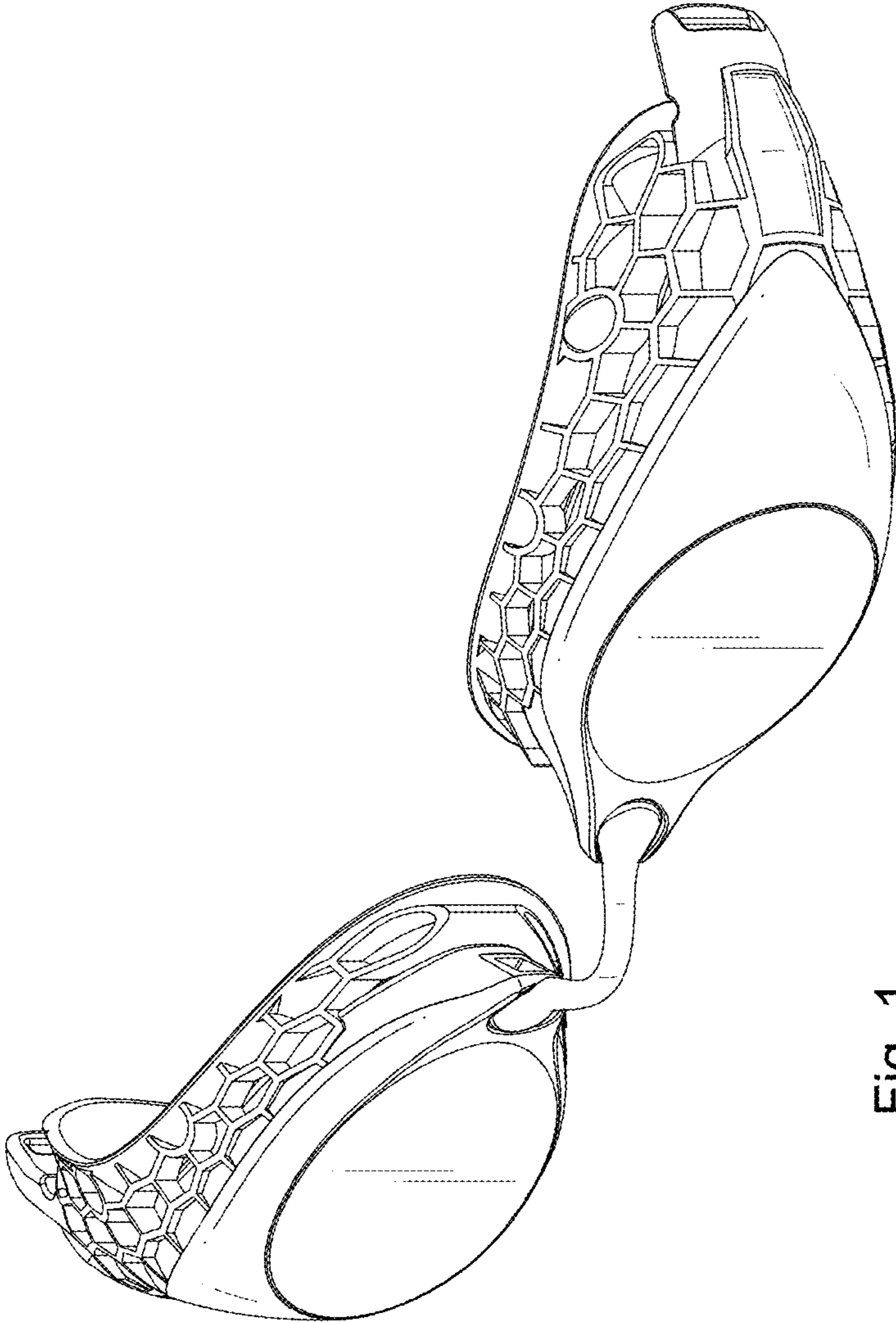


Fig. 1

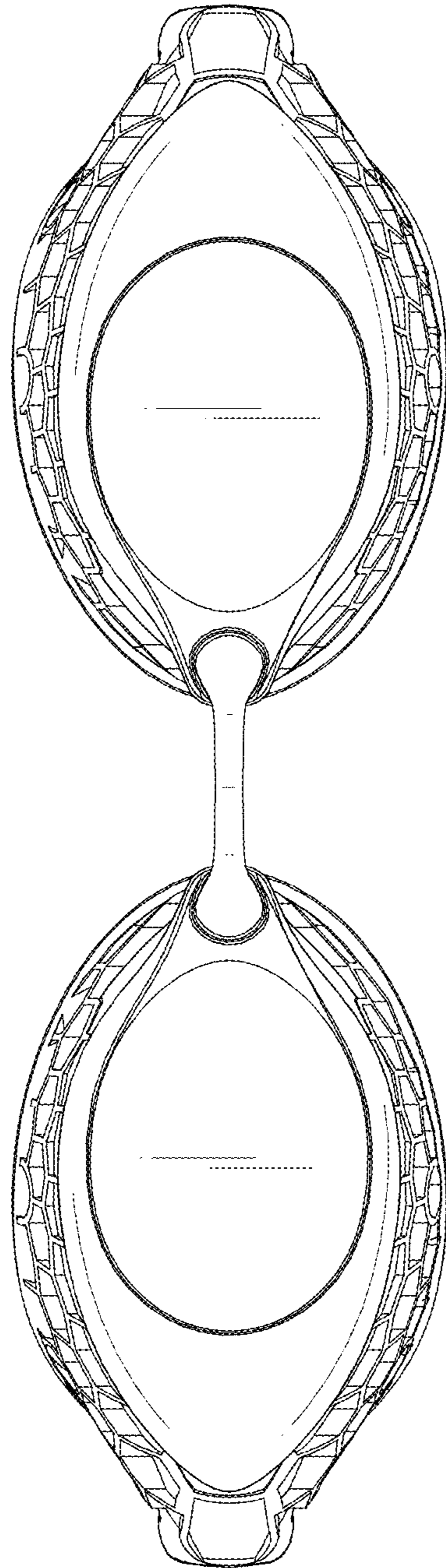


Fig. 2

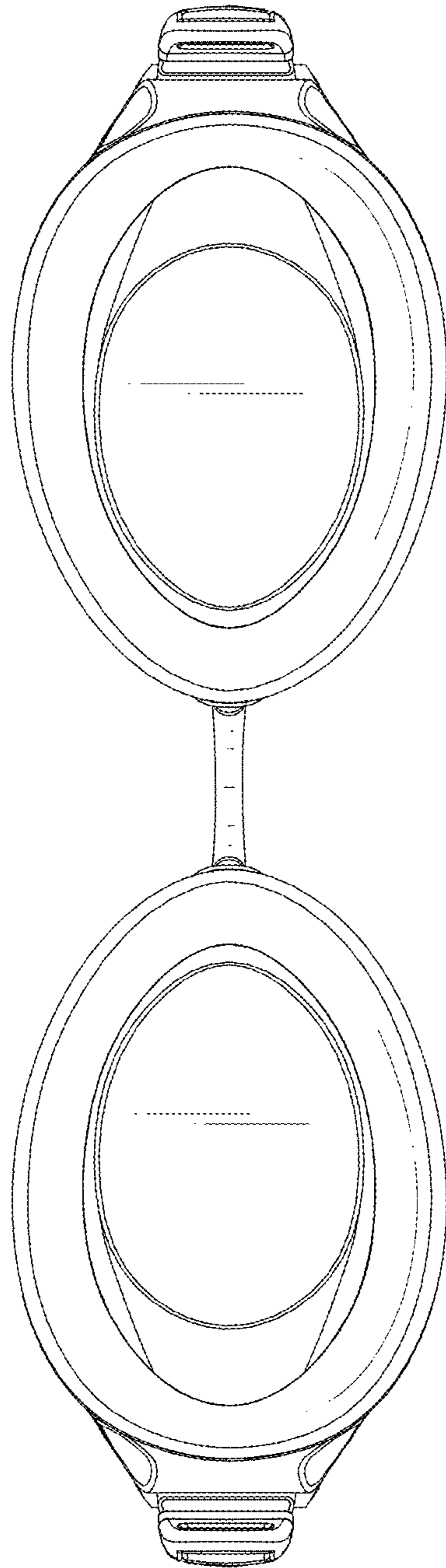


Fig. 3

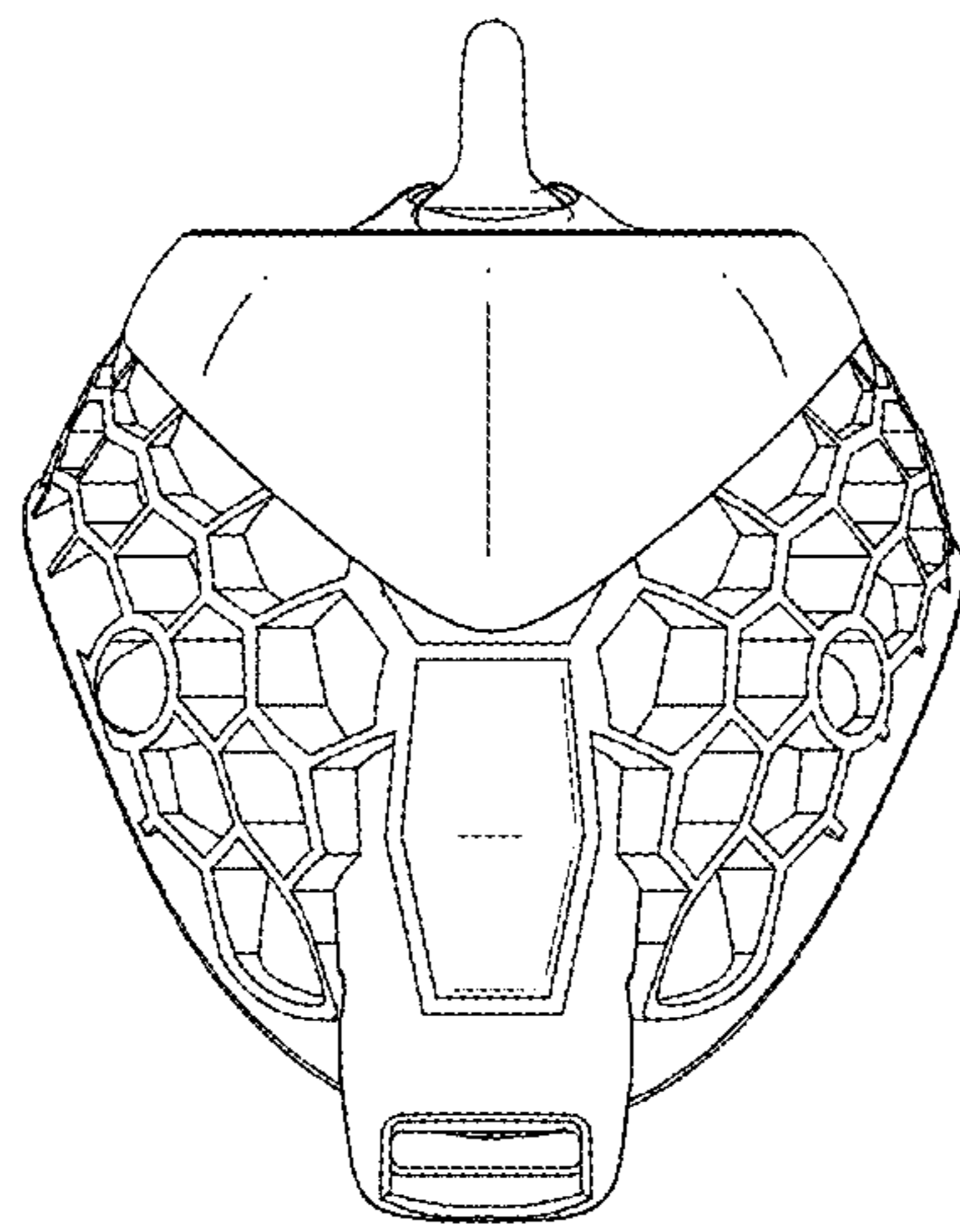


Fig. 4

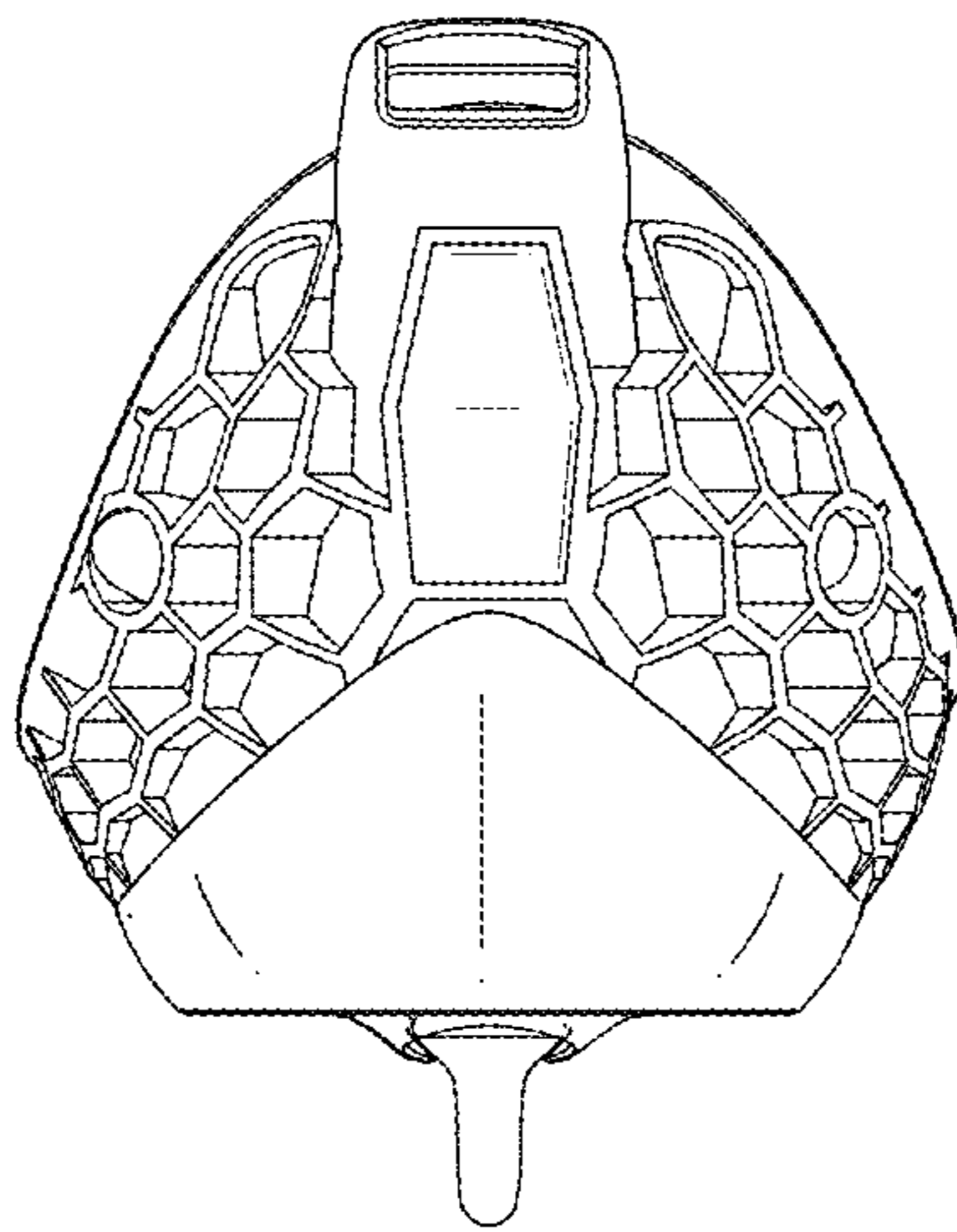


Fig. 5

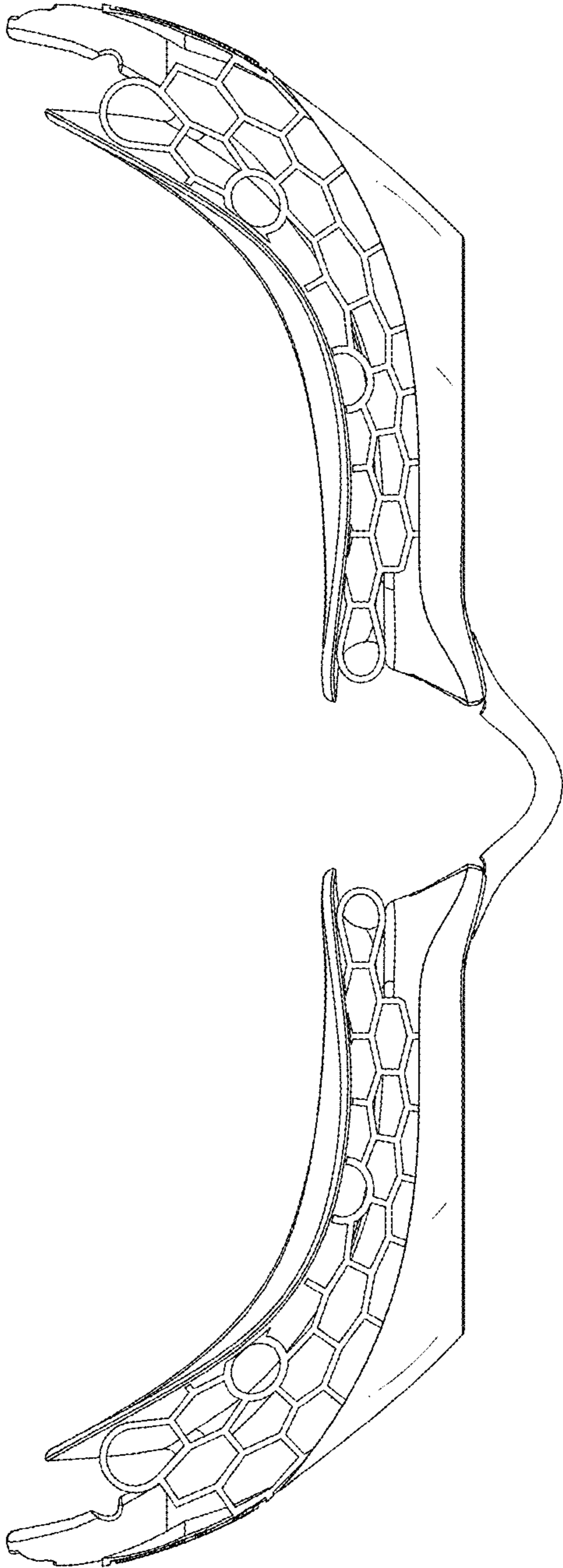


Fig. 6

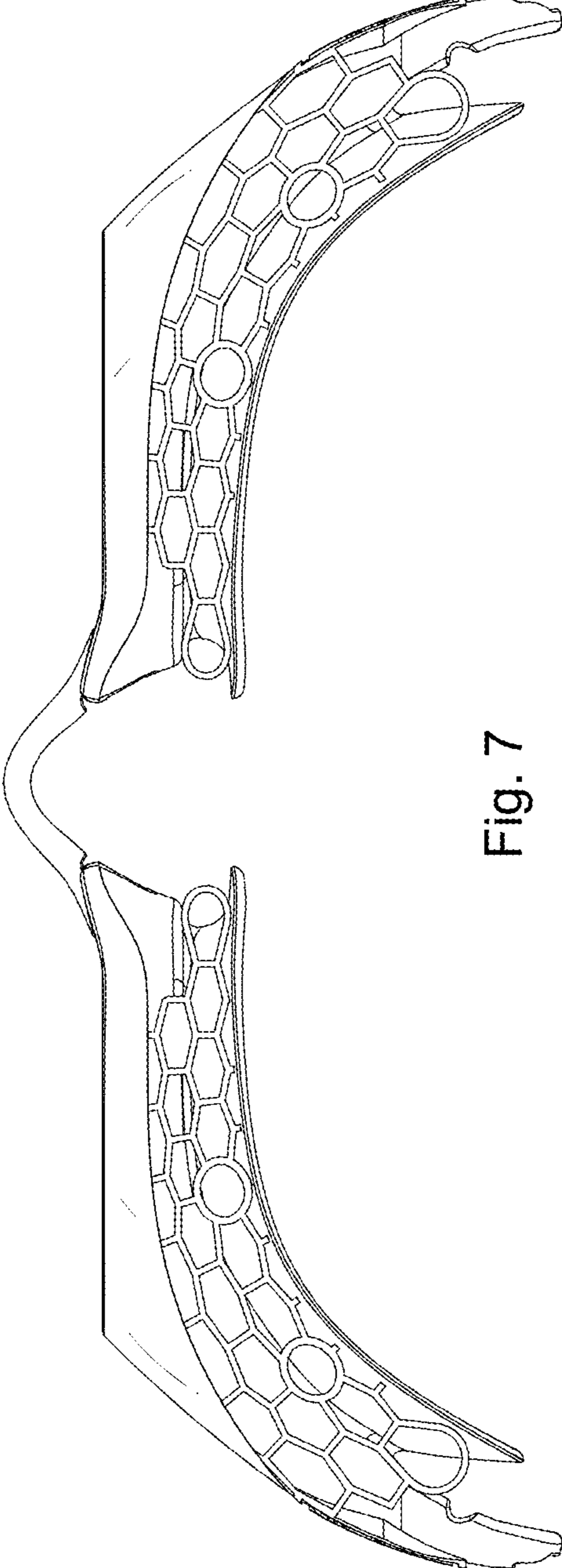


Fig. 7