



US00D831098S

(12) **United States Design Patent**  
**Truesdale**

(10) **Patent No.:** **US D831,098 S**

(45) **Date of Patent:** **\*\* Oct. 16, 2018**

(54) **CAMERA MOUNT LINK**

D762,536 S \* 8/2016 Wurzer ..... D12/174  
D764,566 S \* 8/2016 Bennett ..... D16/242  
D768,471 S \* 10/2016 Marquez ..... D8/382

(71) Applicant: **Gary Truesdale**, El Segundo, CA (US)

(72) Inventor: **Gary Truesdale**, El Segundo, CA (US)

(73) Assignee: **Gary Truesdale**, El Segundo, CA (US)

(\*\*) Term: **15 Years**

(21) Appl. No.: **29/614,891**

(22) Filed: **Aug. 24, 2017**

(51) **LOC (11) Cl.** ..... **16-05**

(52) **U.S. Cl.**  
USPC ..... **D16/242; D16/237**

(58) **Field of Classification Search**  
USPC ..... D16/219, 237-250; D14/224, 229, 238,  
D14/251, 447, 451, 457; D8/354, 355,  
D8/363, 373, 382, 383, 394, 395, 396  
CPC ..... G03B 17/56; G03B 17/561-17/568; G02B  
7/00-7/002; H04N 5/2253-5/2254; F16M  
11/06-11/10; F16M 11/14; A45F 5/10  
See application file for complete search history.

(56) **References Cited**

**U.S. PATENT DOCUMENTS**

D318,607 S \* 7/1991 Reid ..... D8/363  
D402,881 S \* 12/1998 Fischer ..... D8/354  
D594,380 S \* 6/2009 Somers ..... D11/181  
D616,286 S \* 5/2010 Foresman ..... D8/354  
D722,864 S \* 2/2015 Greenthal ..... D8/382  
D722,865 S \* 2/2015 Greenthal ..... D8/382

**OTHER PUBLICATIONS**

Pro Quarter Twenty Adapter Kit. [online] Retrieved Apr. 24, 2018 from URL: <https://www.thefenceclip.com/product-page/aluminum-quarter-twenty-to-gopro-adapter-kit>.\*

HSU 3-Way Pivot Arm Assembly Extension. [online] Retrieved Apr. 24, 2018 from URL: <https://hsushop.com/product/hsu-3-way-pivot-arm-assembly-extension-4-thumb-knobs-for-gopro-hero4s-hero4-hero3-hero3-hero2-hero-and-sj4000-sj5000-sj7000-and-xiaomi-yi/>.\*

\* cited by examiner

*Primary Examiner* — Vy N Koenig

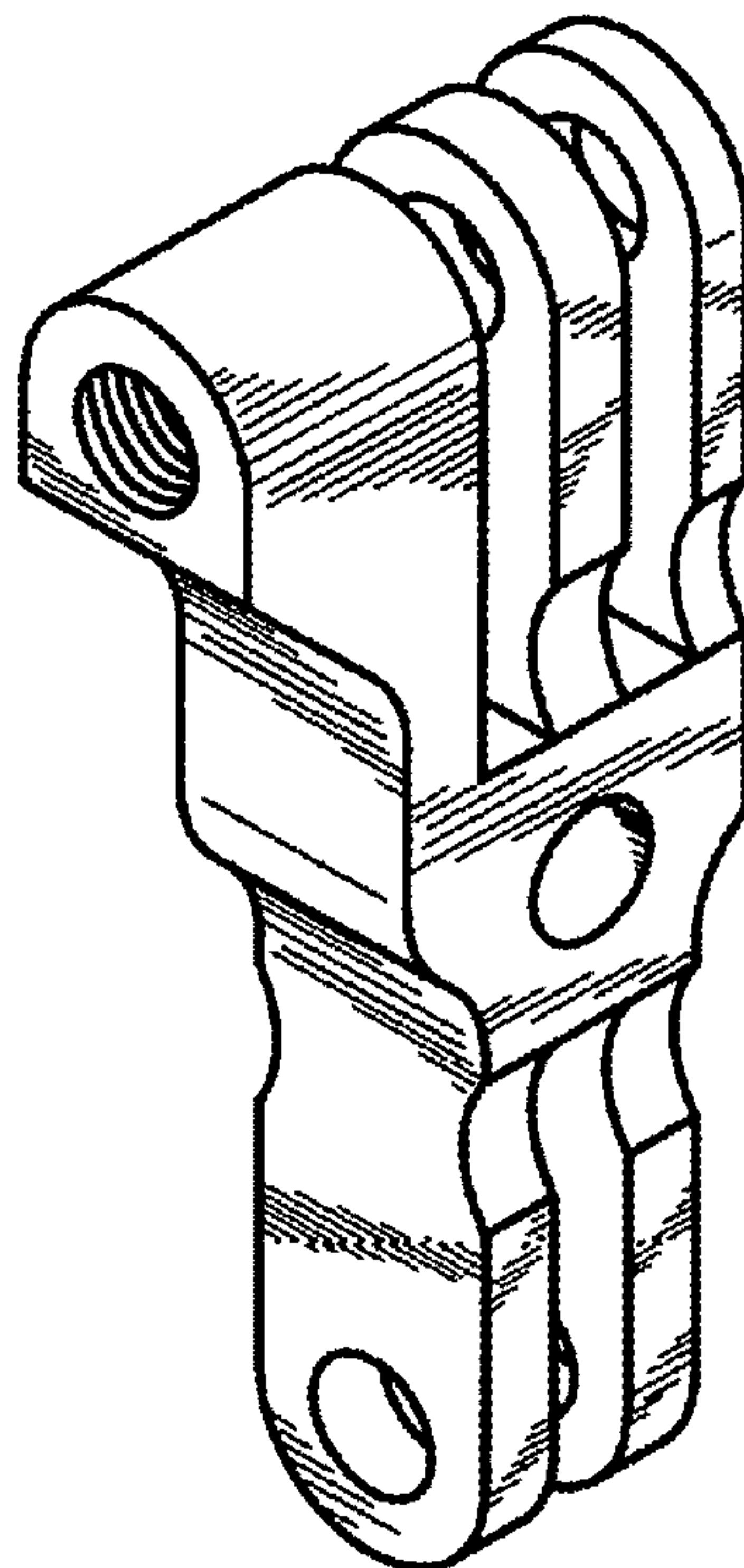
(57) **CLAIM**

The ornamental design for a camera mount link, as shown and described.

**DESCRIPTION**

FIG. 1 is a front view of a camera mount link showing my design; with the back view being a mirror image of the front; FIG. 2 is a right view thereof; FIG. 3 is a bottom view thereof; FIG. 4 is a top view thereof; FIG. 5 is a left view thereof; FIG. 6 is a top, front, and left perspective view thereof; and, FIG. 7 is a top, front, and right perspective view thereof.

**1 Claim, 2 Drawing Sheets**



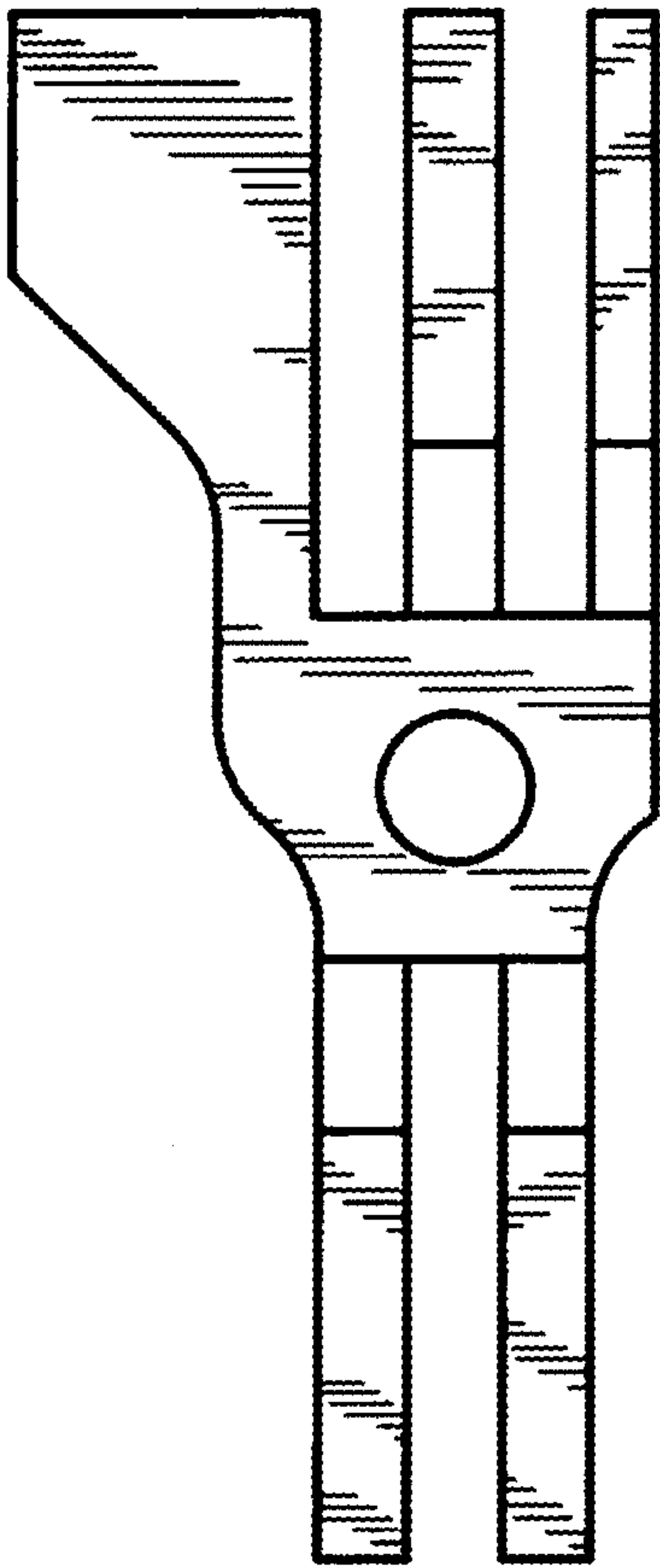


FIG. 1

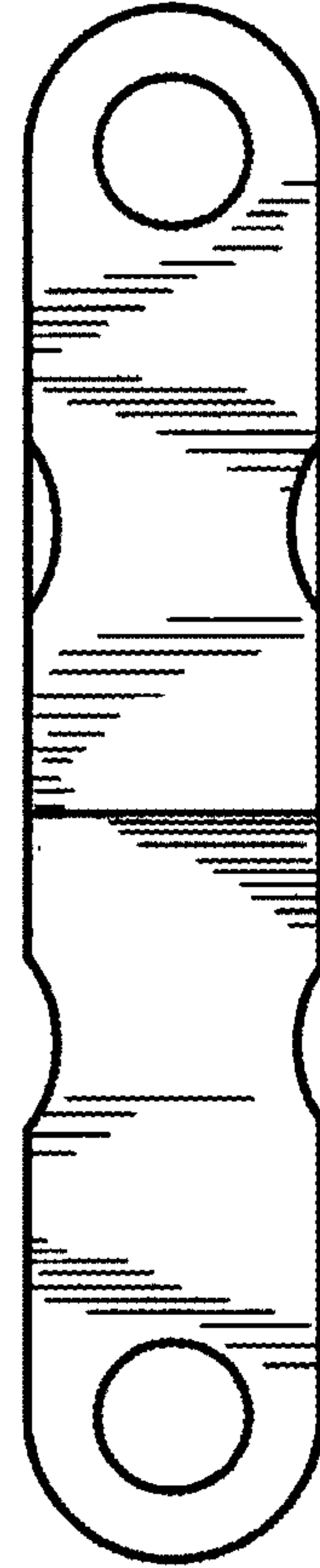


FIG. 2

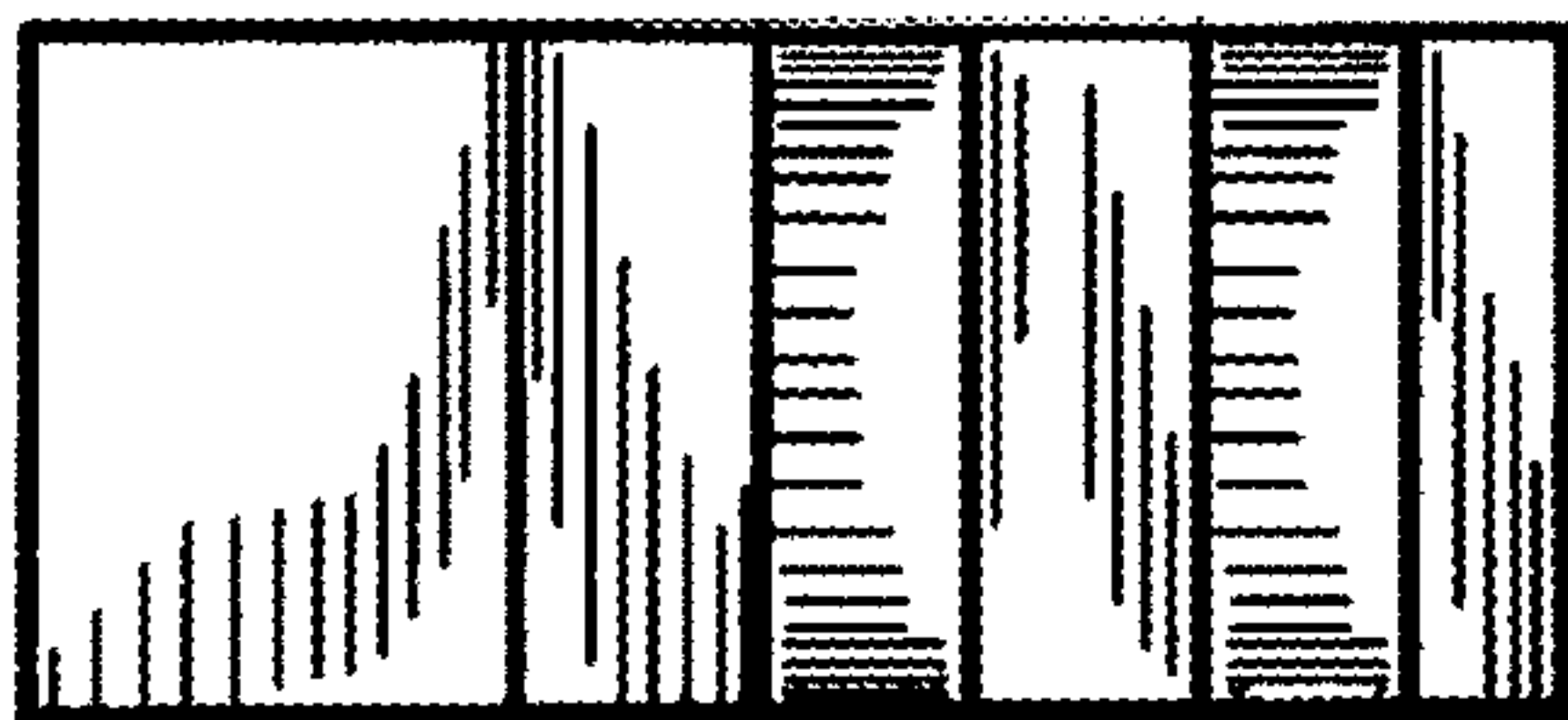


FIG. 3

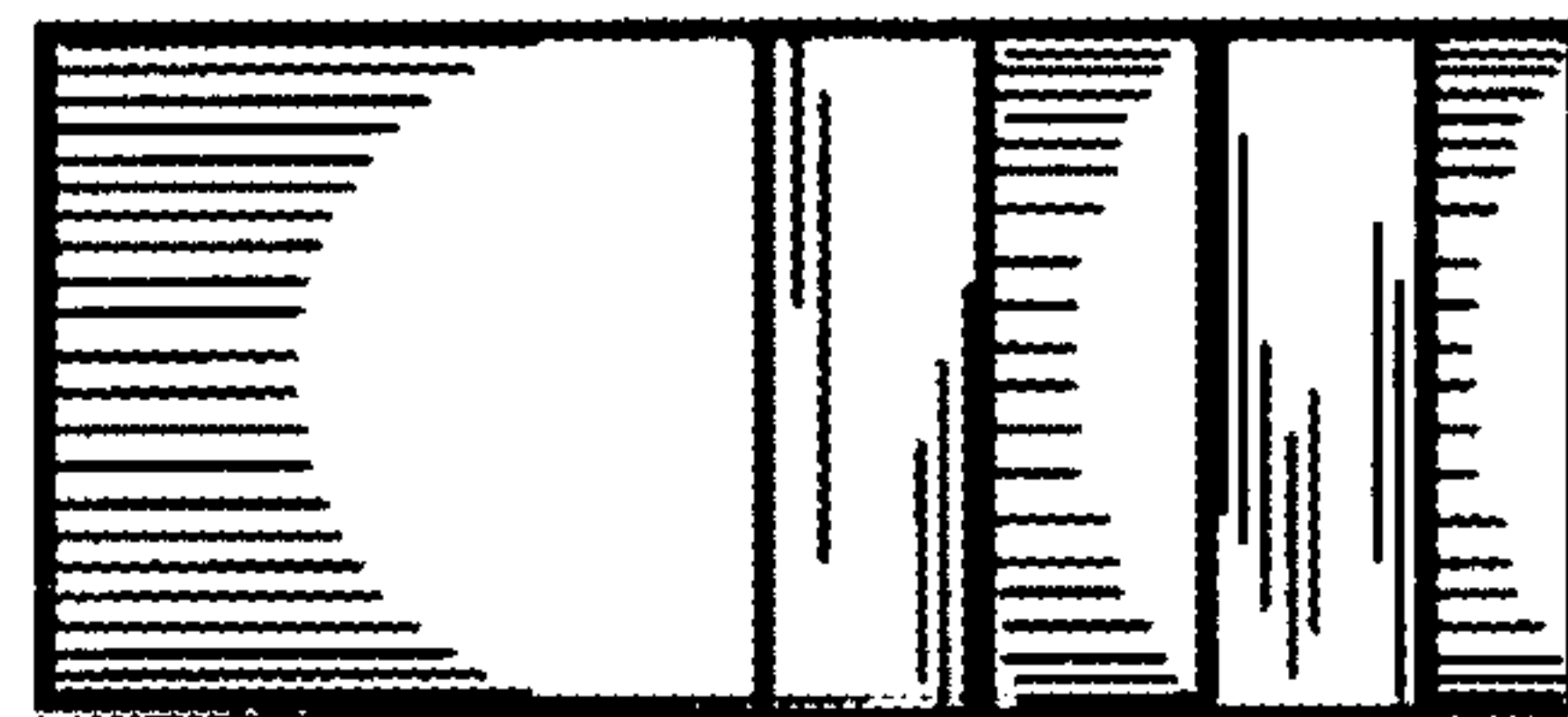


FIG. 4

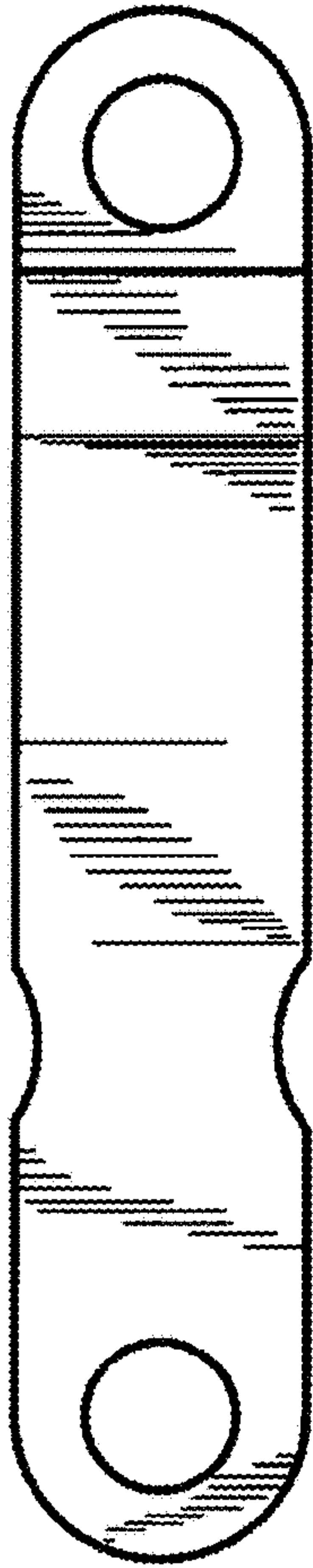


FIG. 5

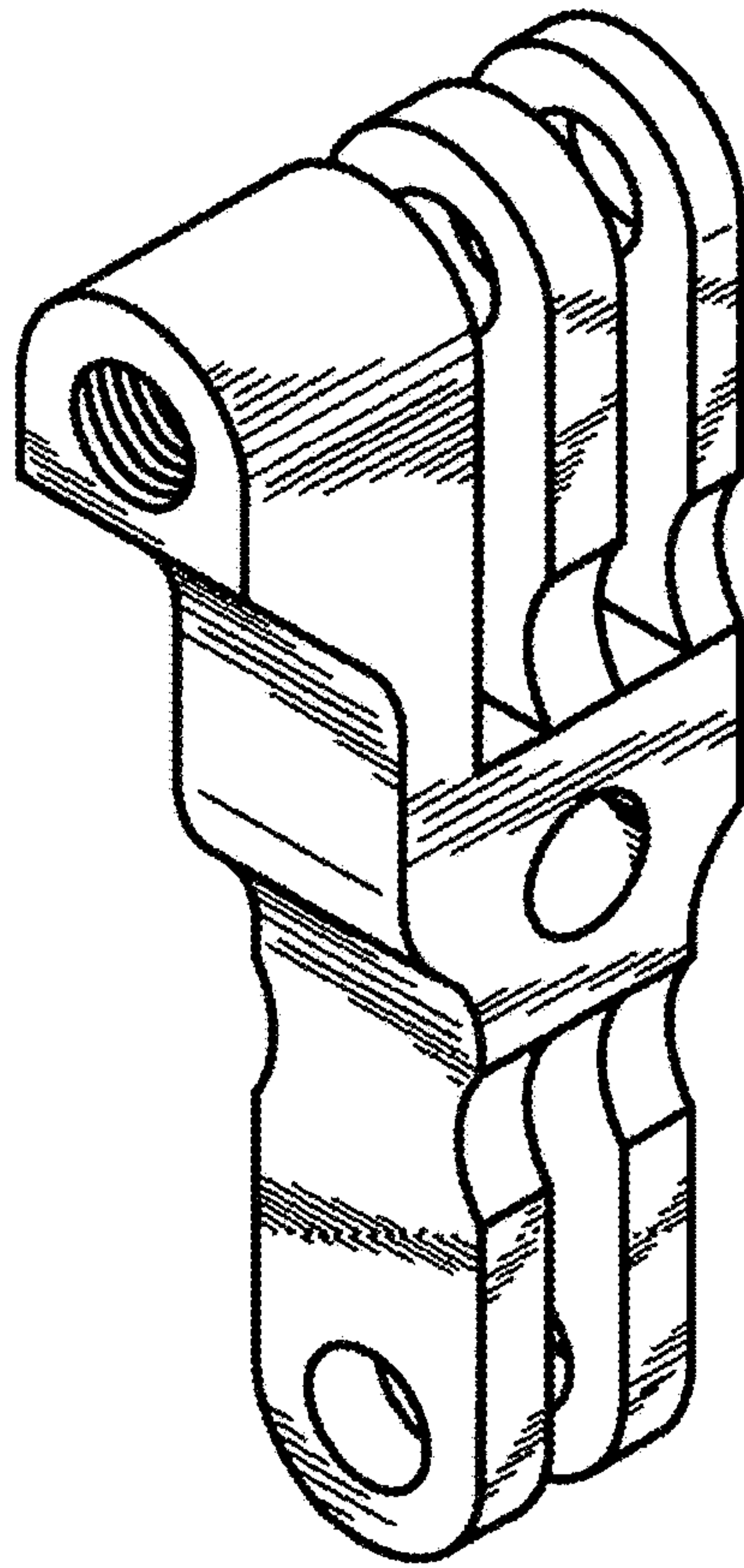


FIG. 6

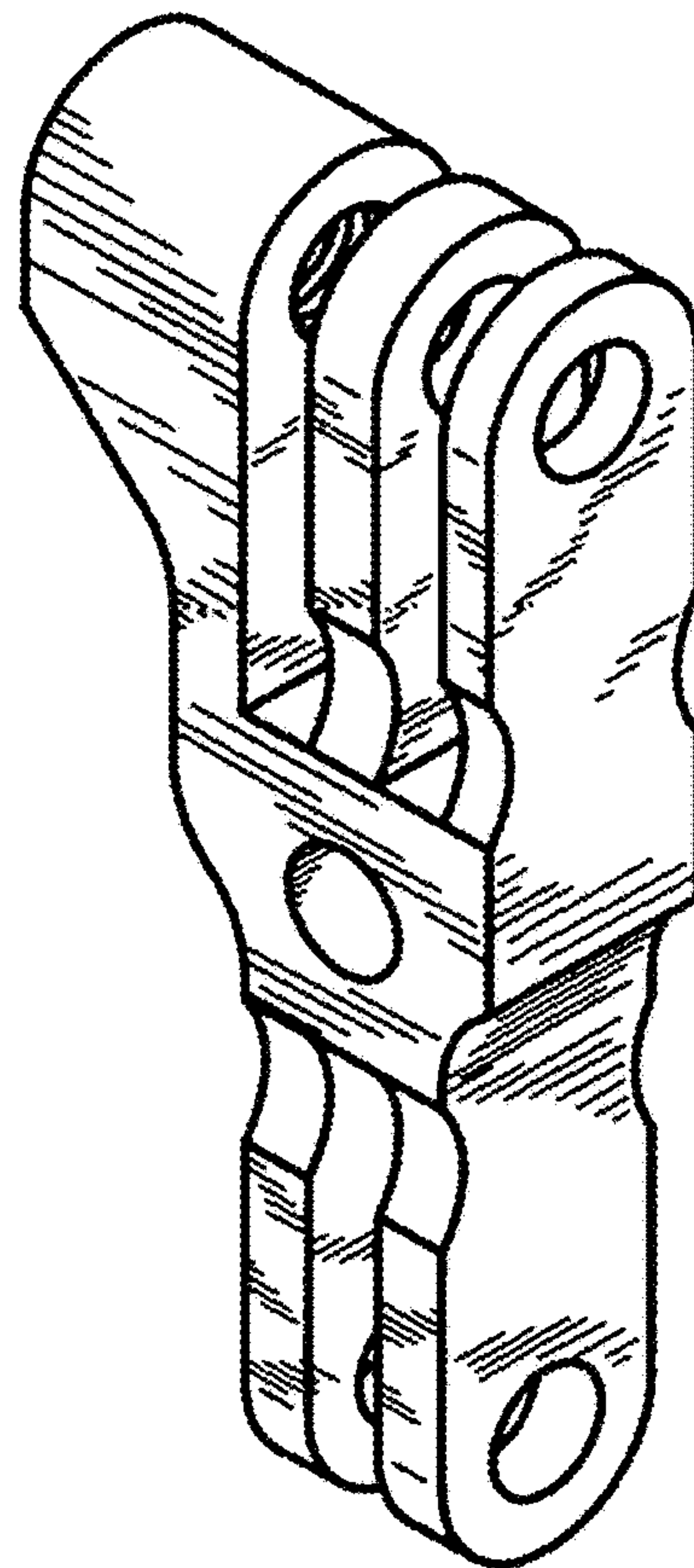


FIG. 7