



US00D831097S

(12) **United States Design Patent** (10) **Patent No.:** **US D831,097 S**  
**Burch, V et al.** (45) **Date of Patent:** **\*\* Oct. 16, 2018**

- (54) **CAMERA MOUNT HOUSING**
- (71) Applicant: **FEDEX CORPORATE SERVICES, INC.**, Collierville, TN (US)
- (72) Inventors: **Reuben F. Burch, V**, Mississippi State, MS (US); **Howard McKinney**, Bartlett, TN (US); **Matthew Doude**, Starkville, MS (US); **Andrew LeClair**, Starkville, MS (US); **Matthew Bilson**, Starkville, MS (US); **Greggory Alan Morris**, Starkville, MS (US); **Davis Donald Hesler**, Biloxi, MS (US)
- (73) Assignee: **FEDEX CORPORATE SERVICES, INC.**, Collierville, TN (US)

(\*\*) Term: **15 Years**

(21) Appl. No.: **29/577,406**

(22) Filed: **Sep. 13, 2016**

(51) **LOC (11) Cl.** ..... **16-05**

(52) **U.S. Cl.**  
USPC ..... **D16/242**

(58) **Field of Classification Search**  
USPC ..... D16/214, 219, 235, 237, 242–245, 250;  
D14/217, 251, 253, 453; D8/354–356,  
D8/364, 381, 394–395  
CPC ..... G03B 17/14; G03B 17/56; G03B  
17/561–17/568; G03B 15/041–15/0436;  
G02B 7/00–7/002; G02B 7/02–7/04;  
F16M 11/02; F16M 11/04; F16M 11/20;  
F16M 11/40

See application file for complete search history.

(56) **References Cited**

**U.S. PATENT DOCUMENTS**

- D399,212 S \* 10/1998 Roderweiss ..... D15/5
- D515,590 S \* 2/2006 Freitas ..... D15/7

- D609,247 S \* 2/2010 Naegele ..... D15/5
- D633,529 S \* 3/2011 Hamada ..... D15/7
- D701,243 S \* 3/2014 Cornett ..... D15/7
- D704,226 S \* 5/2014 Lee ..... D15/5
- D726,528 S \* 4/2015 McCallum ..... D8/382
- D737,861 S \* 9/2015 He ..... D15/5
- D739,440 S \* 9/2015 Cornett ..... D15/7
- D743,475 S \* 11/2015 Cover ..... D16/203
- D746,352 S \* 12/2015 Ryterski ..... D16/219
- 9,518,571 B2 \* 12/2016 Yamaoka ..... F04B 35/04
- D782,561 S \* 3/2017 Worthington ..... D16/237

\* cited by examiner

*Primary Examiner* — Philip S Hyder

*Assistant Examiner* — Cary M Robinson

(74) *Attorney, Agent, or Firm* — Withers & Keys, LLC

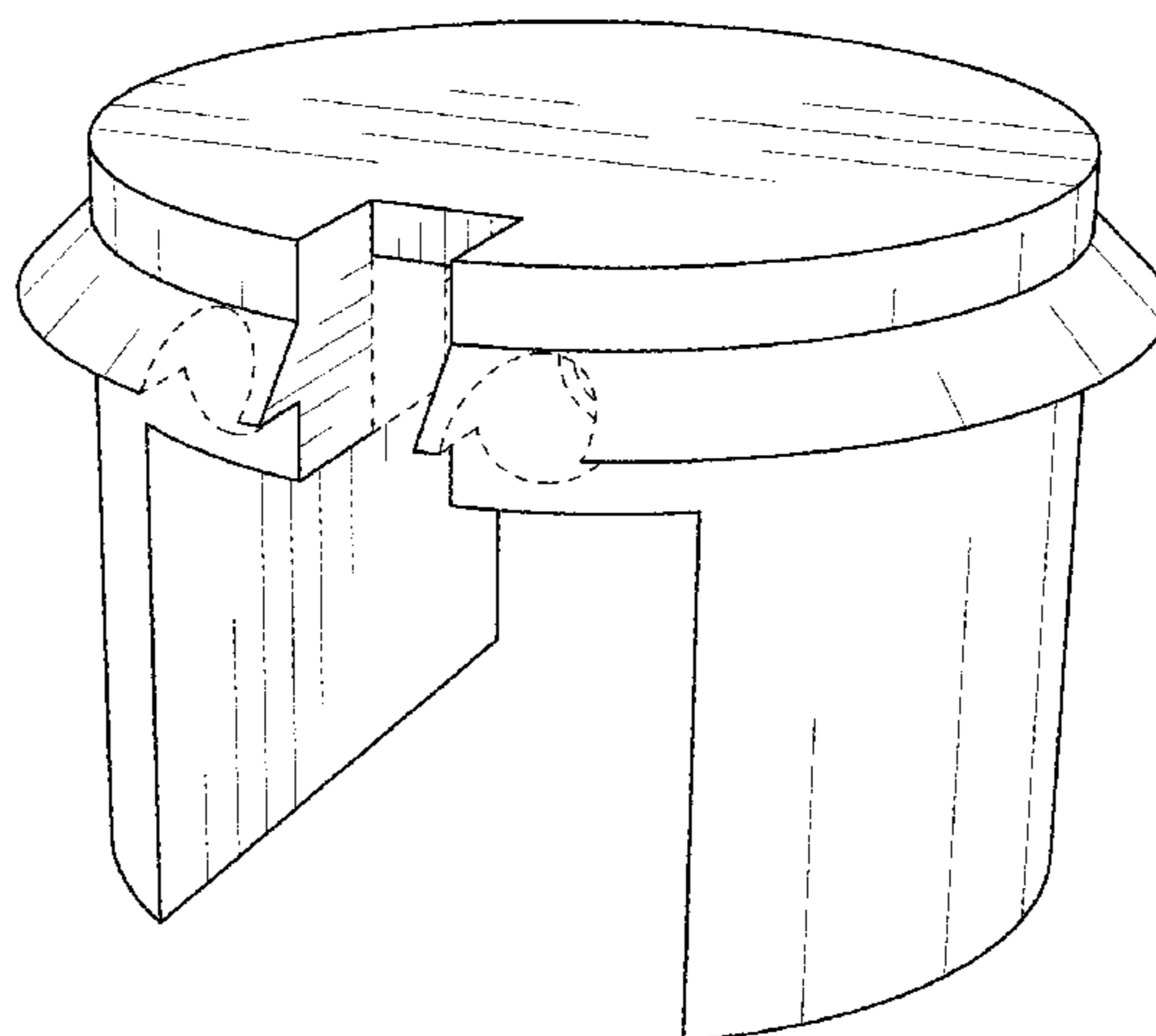
(57) **CLAIM**

The ornamental design for camera mount housing, as shown and described.

**DESCRIPTION**

FIG. 1 is a perspective view of a camera mount housing showing our new design;  
 FIG. 2 is a side view thereof as viewed from the left-hand side of the camera mount housing shown in FIG. 1;  
 FIG. 3 is a side view thereof as viewed from the right-hand side of the camera mount housing shown in FIG. 1;  
 FIG. 4 is a rear view of the camera mount housing shown in FIG. 1;  
 FIG. 5 is a frontal view of the camera mount housing tor shown in FIG. 1;  
 FIG. 6 is a top view thereof; and,  
 FIG. 7 is a bottom view thereof.  
 The broken lines shown in the drawings illustrate portions of the camera mount housing that forms no part of the claimed design.

**1 Claim, 7 Drawing Sheets**



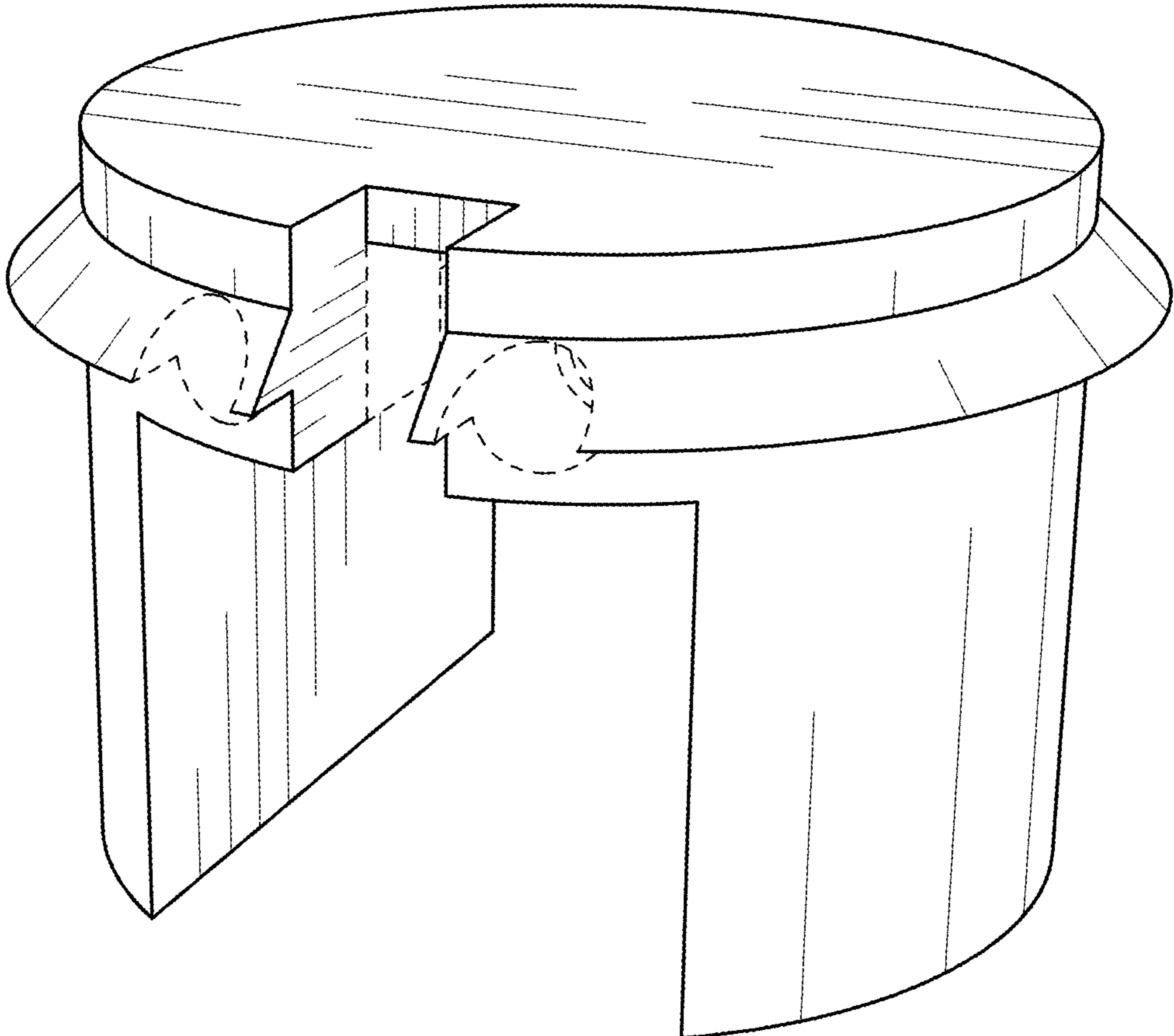


FIG. 1

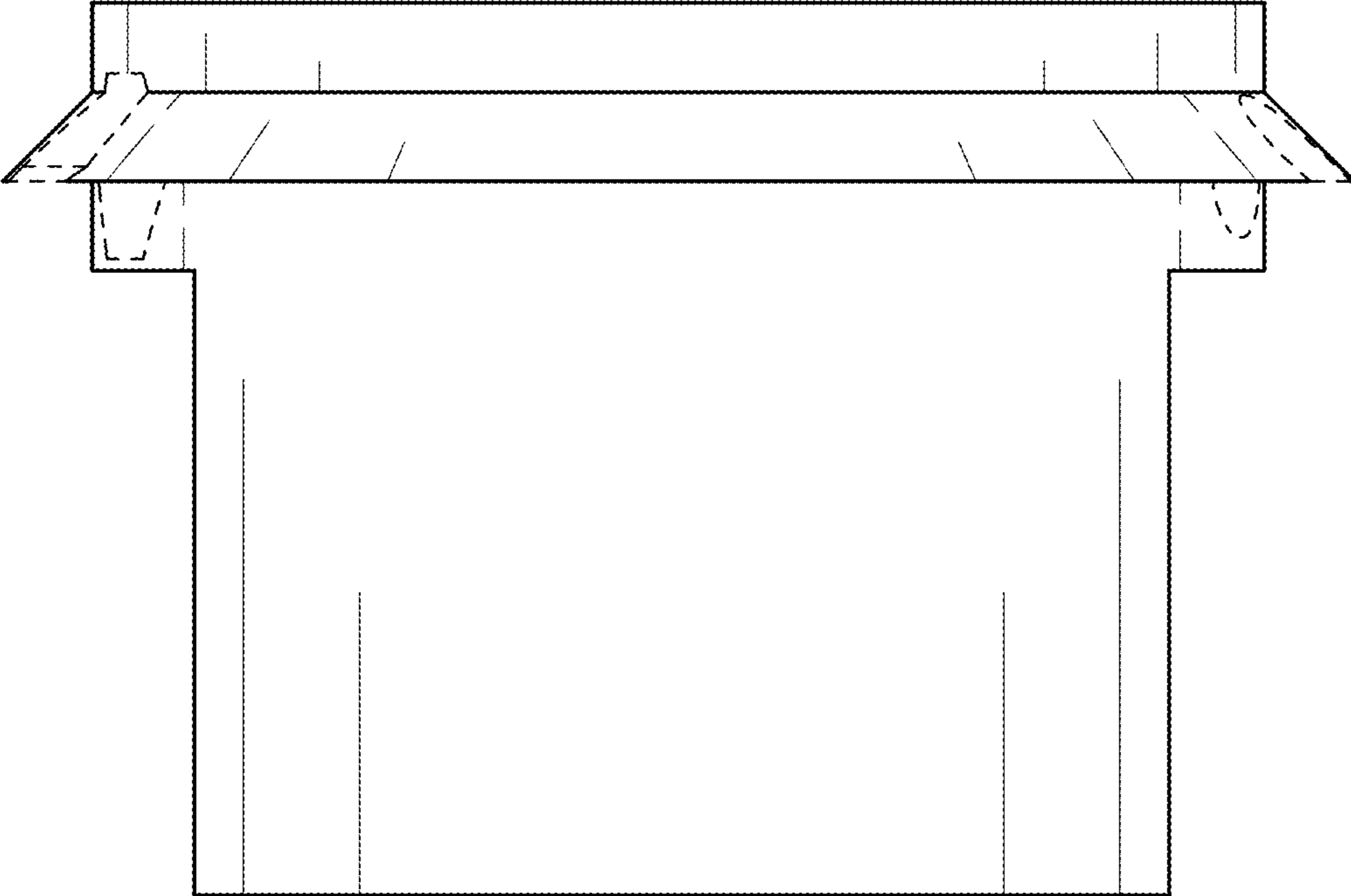


FIG. 2

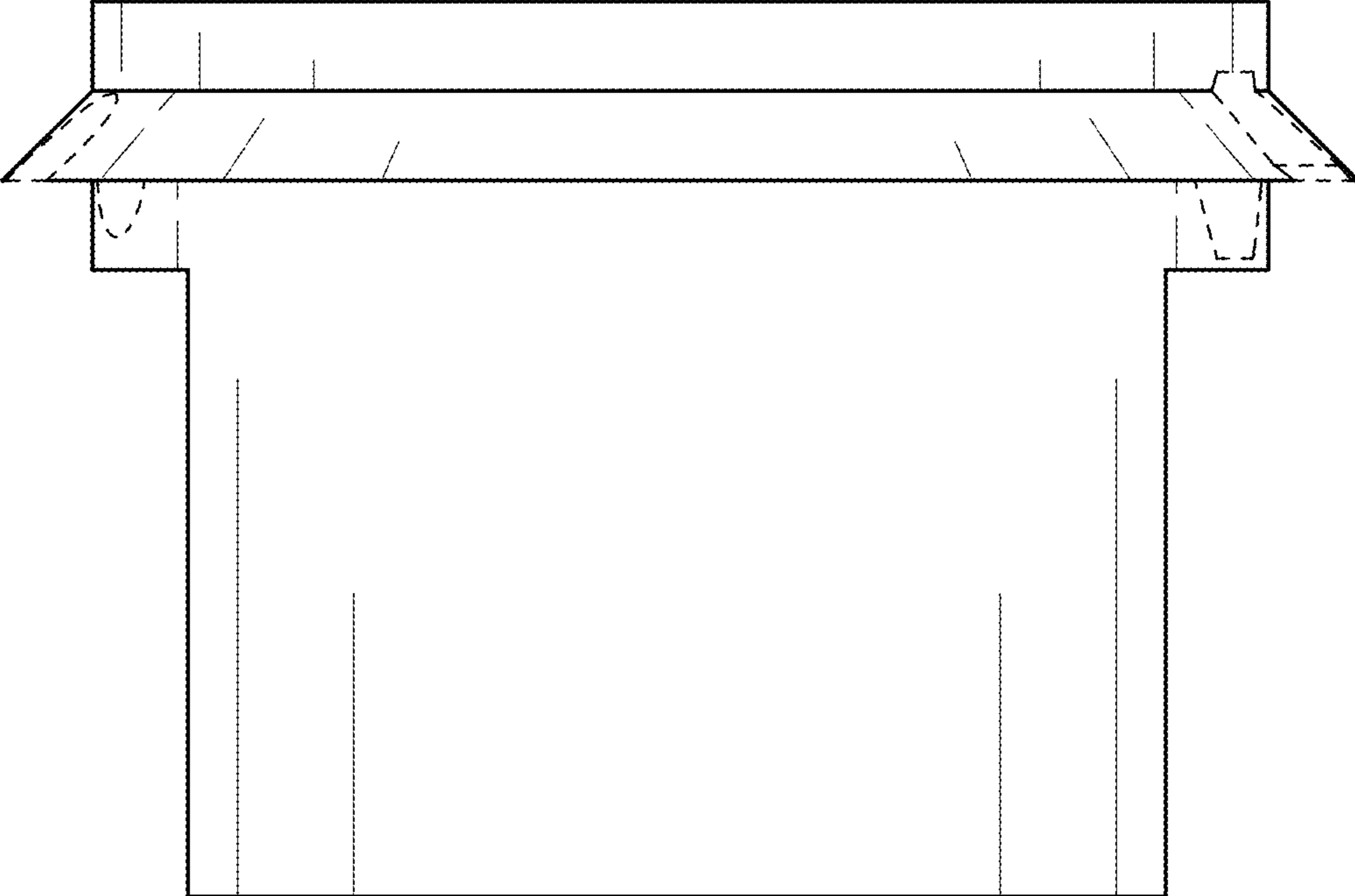


FIG. 3

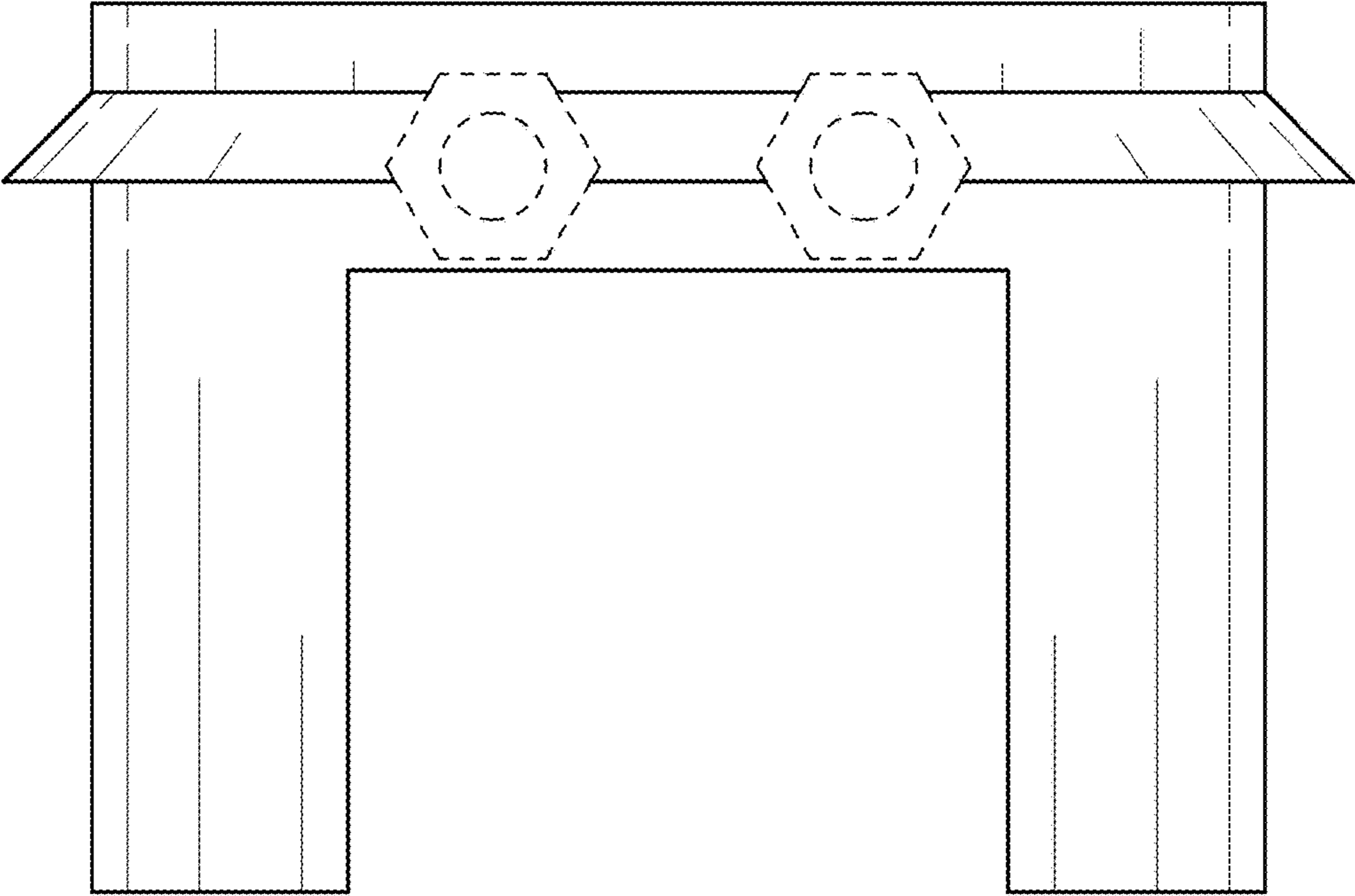


FIG. 4

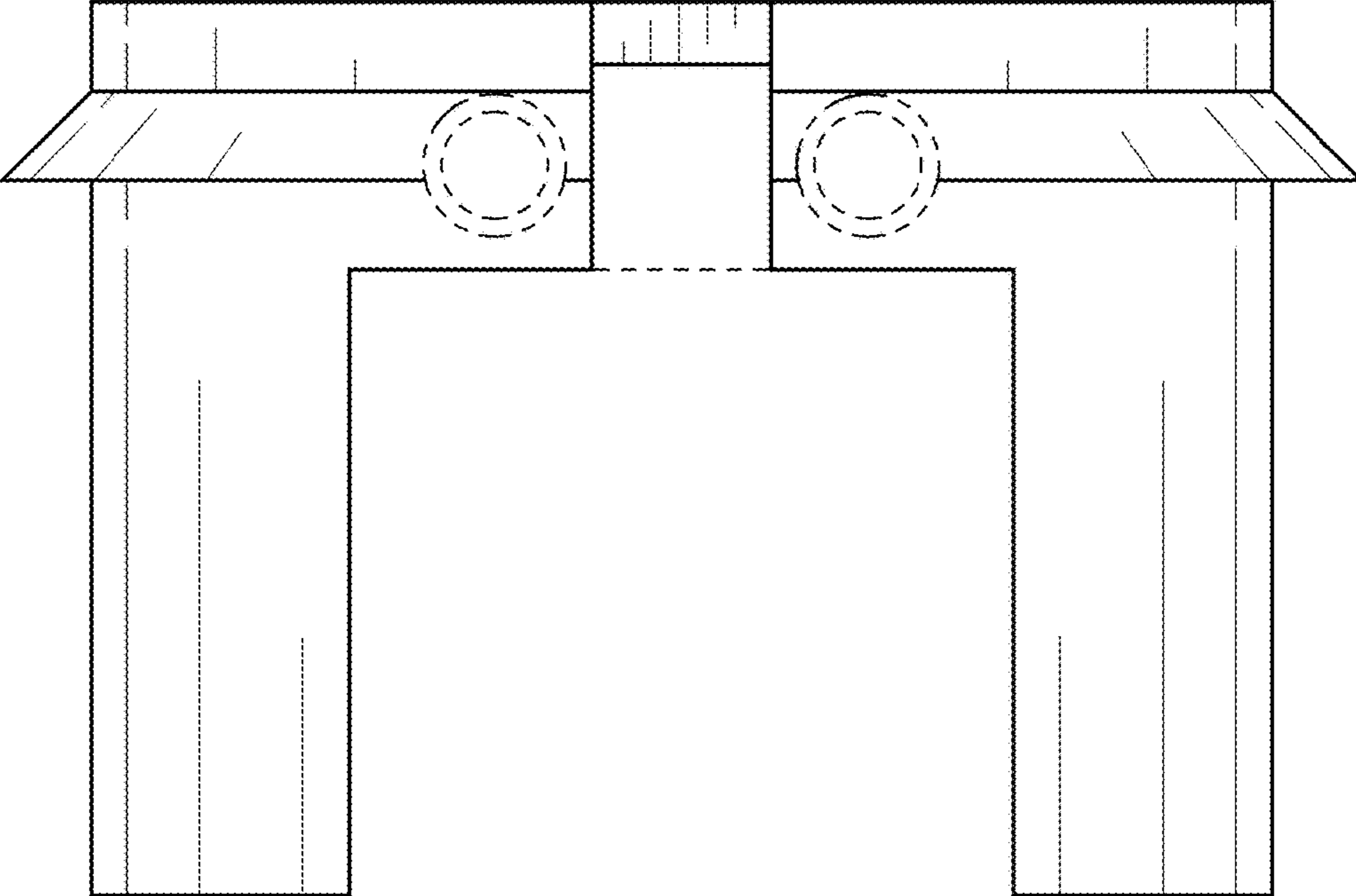


FIG. 5

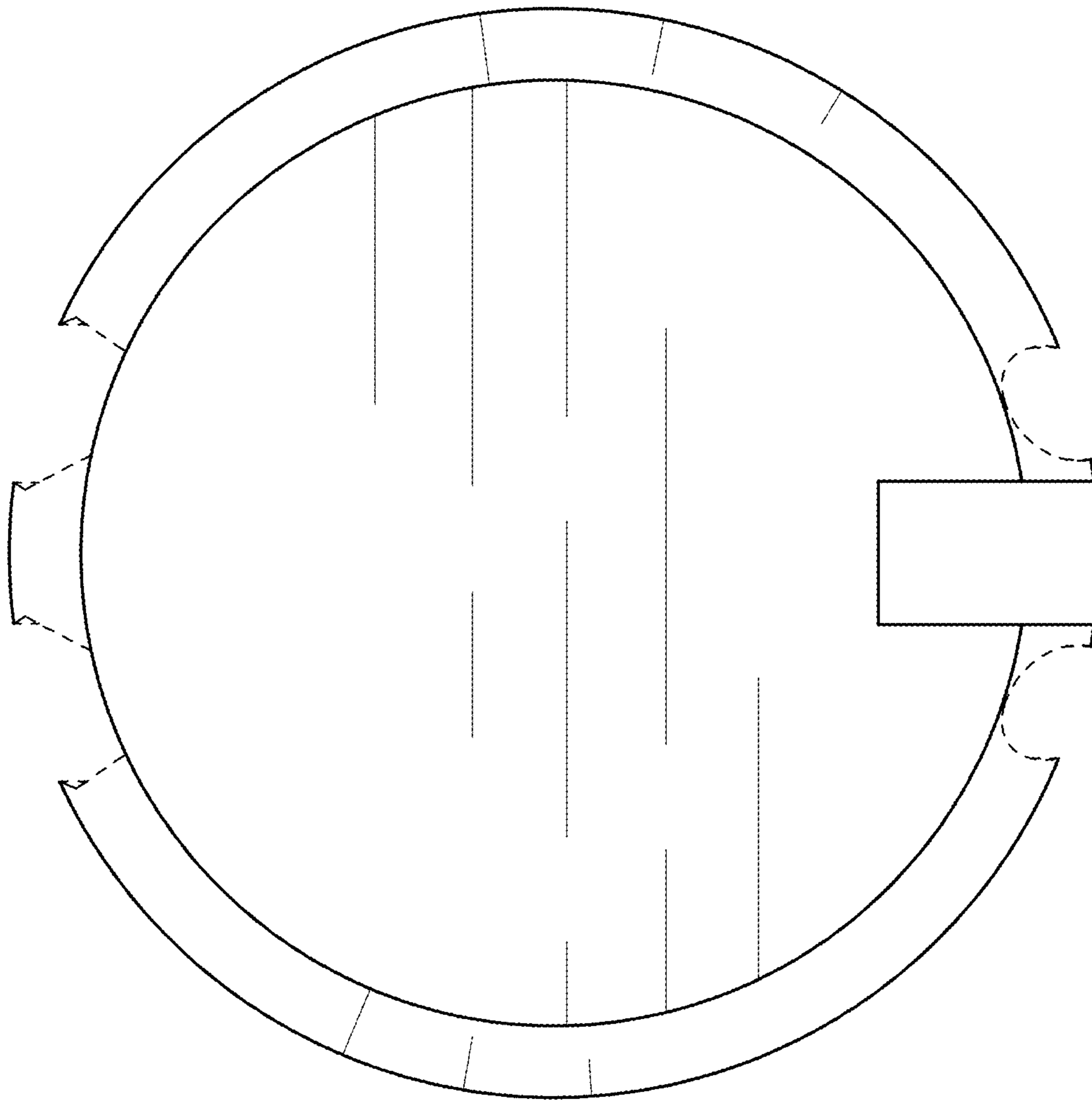


FIG. 6

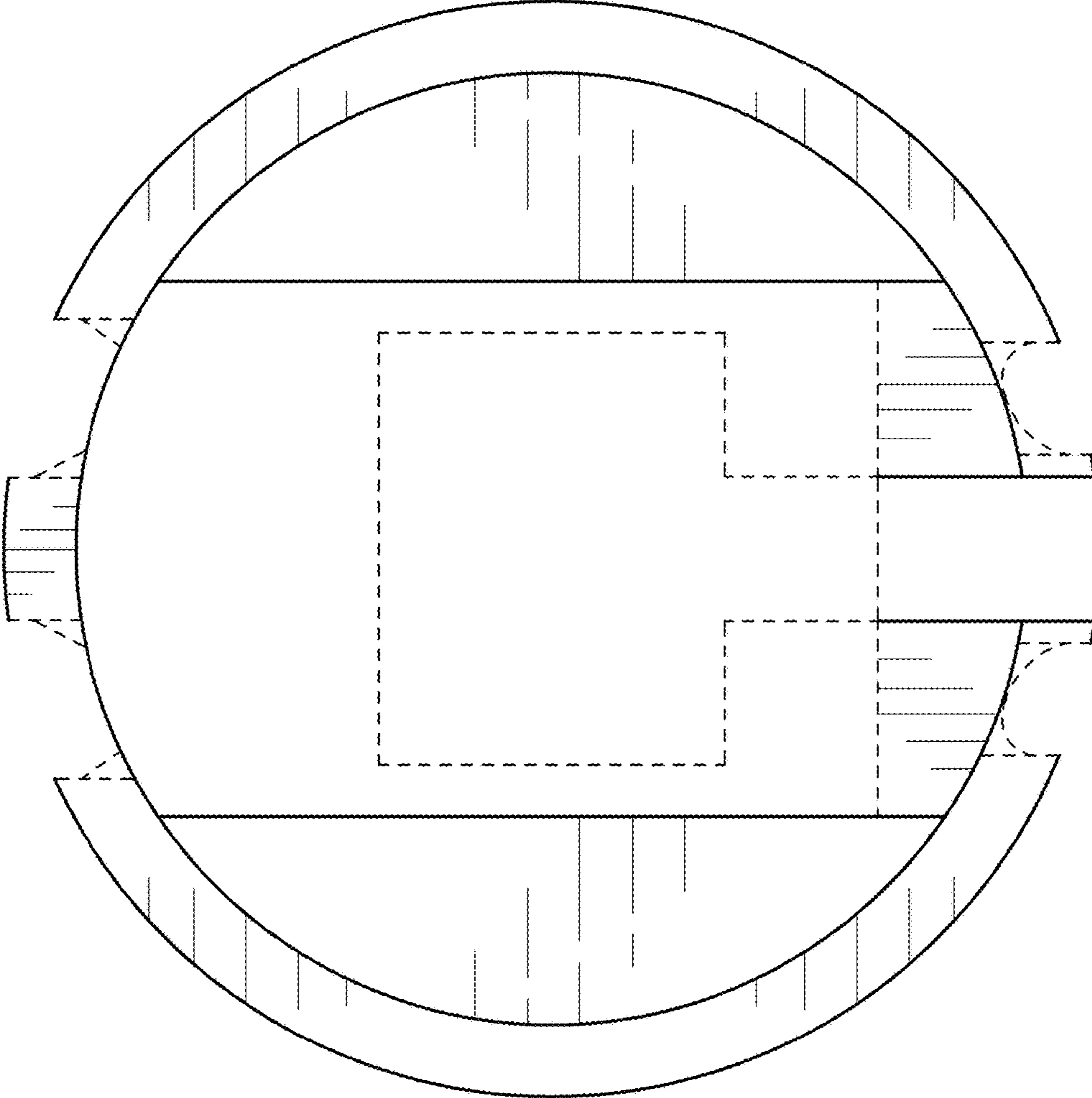


FIG. 7