



US00D831095S

(12) **United States Design Patent**
Deng

(10) **Patent No.:** **US D831,095 S**

(45) **Date of Patent:** **** Oct. 16, 2018**

(54) **PROJECTOR**

(71) Applicant: **Feiyue Deng**, Sichuan Province (CN)

(72) Inventor: **Feiyue Deng**, Sichuan Province (CN)

(**) Term: **15 Years**

(21) Appl. No.: **29/601,199**

(22) Filed: **Apr. 20, 2017**

(30) **Foreign Application Priority Data**

Mar. 14, 2017 (CN) 2017 3 0072777

(51) **LOC (11) Cl.** **16-02**

(52) **U.S. Cl.**
USPC **D16/230; D16/225**

(58) **Field of Classification Search**
USPC D16/221, 225, 230-231, 234; D21/514
CPC G03B 21/145; G03B 21/14; G03B 21/16;
G03B 21/12; G03B 21/001; G03B
21/003; G03B 21/00; G03B 21/28
See application file for complete search history.

(56) **References Cited**

U.S. PATENT DOCUMENTS

D436,979 S * 1/2001 Yokoyama D16/225
D449,061 S * 10/2001 Lim D16/225
D548,263 S * 8/2007 Nakanishi D16/221
D596,656 S * 7/2009 Nakanishi D16/230

7,557,868 B2 * 7/2009 Miyamoto G03B 21/14
349/5
7,850,309 B2 * 12/2010 Hirouchi G03B 21/145
353/52
D690,759 S * 10/2013 Moriya D16/230
D806,776 S * 1/2018 Yoshimura D16/230

FOREIGN PATENT DOCUMENTS

CN 304066366 * 9/2016
JP D1567359 * 8/2016
KR 3020180000177 * 12/2017

* cited by examiner

Primary Examiner — Wan Laymon

(74) *Attorney, Agent, or Firm* — Bay State IP, LLC

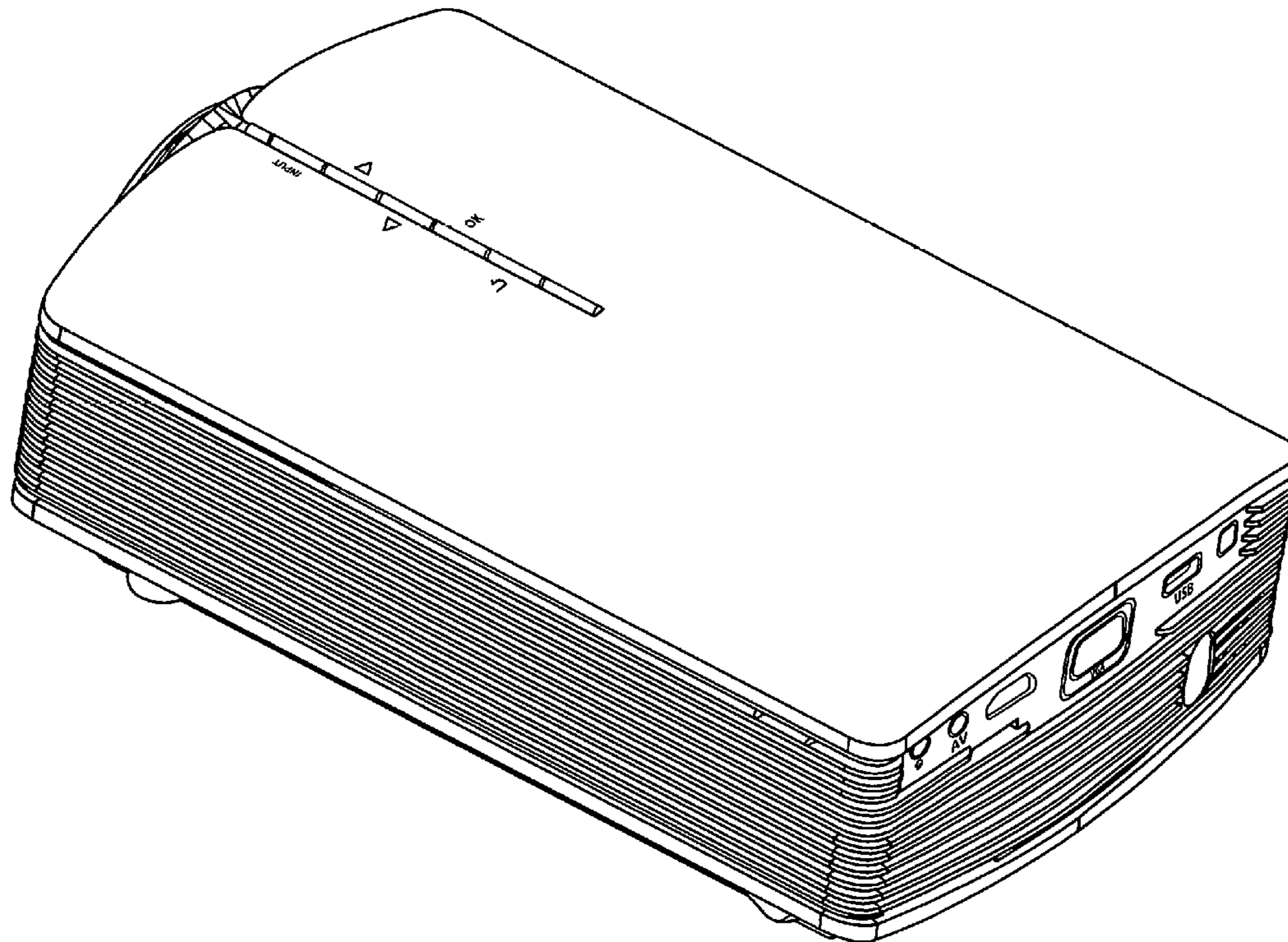
(57) **CLAIM**

The ornamental design for a projector, as shown and described.

DESCRIPTION

FIG. 1 is a back perspective view of the projector showing my new design;
FIG. 2 is a back view thereof;
FIG. 3 is a front view thereof;
FIG. 4 is a top view thereof;
FIG. 5 is a bottom view thereof;
FIG. 6 is a left side view thereof; and,
FIG. 7 is a right side view thereof.

1 Claim, 5 Drawing Sheets



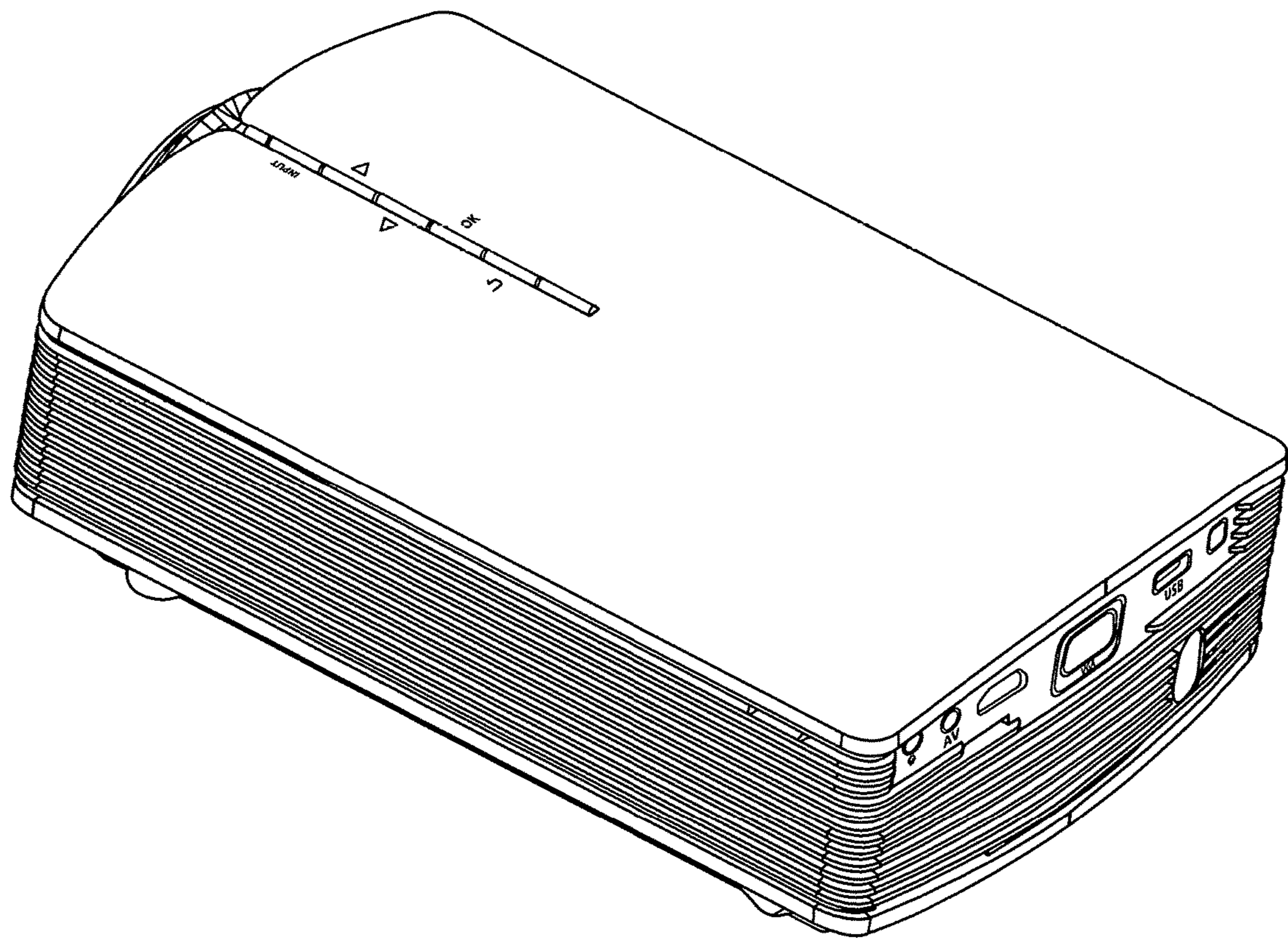


Fig. 1

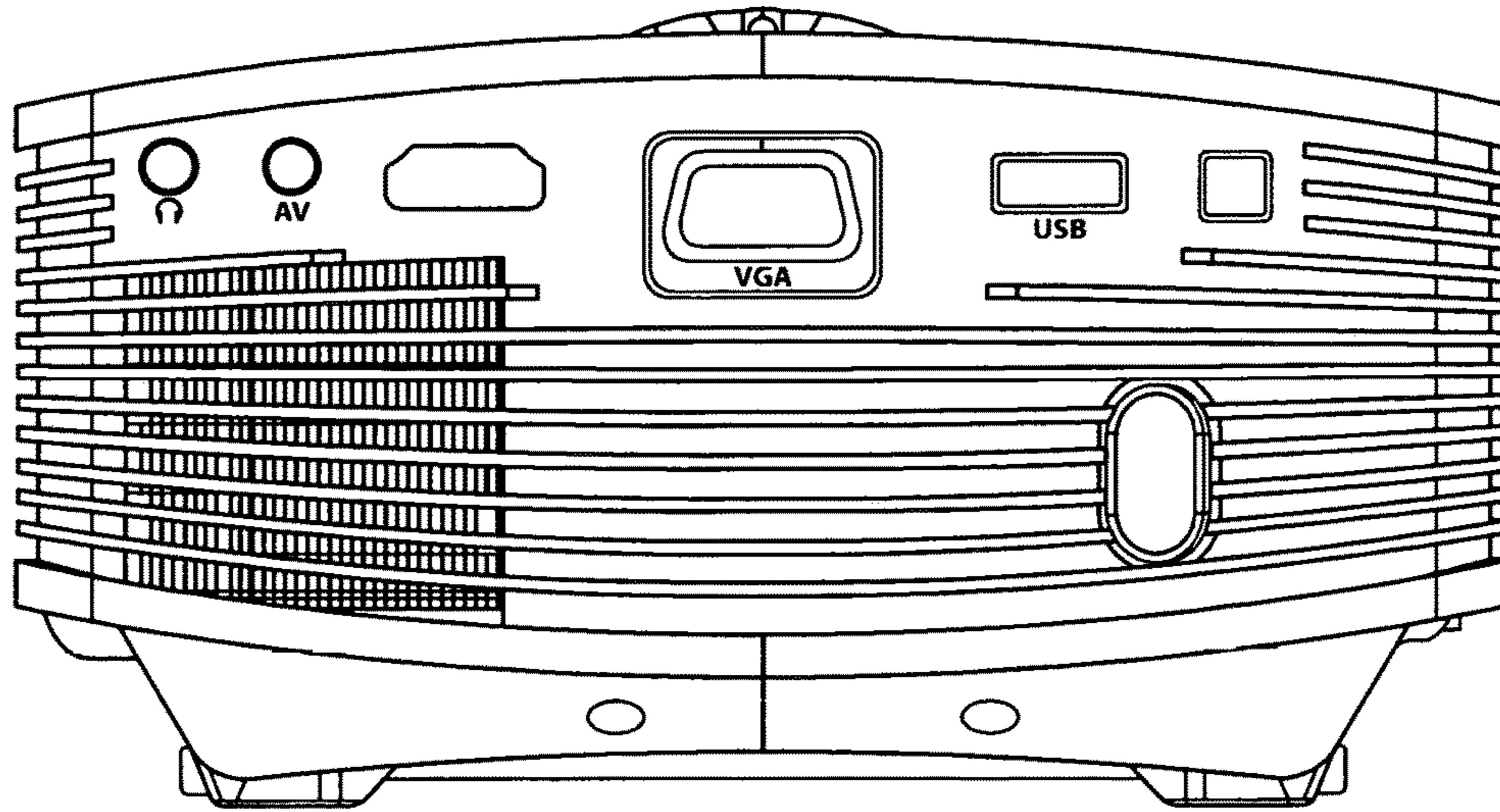


Fig. 2

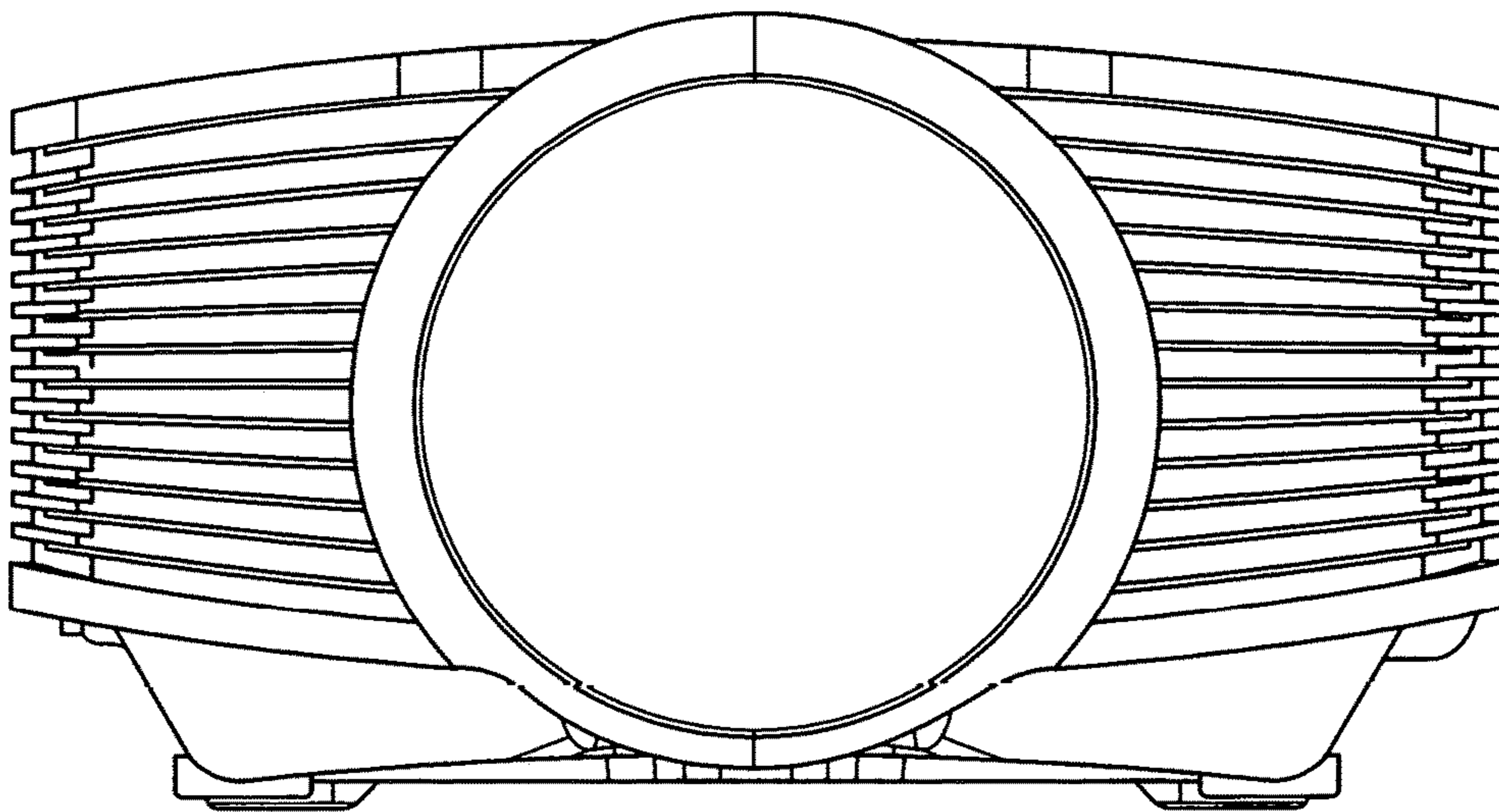


Fig. 3

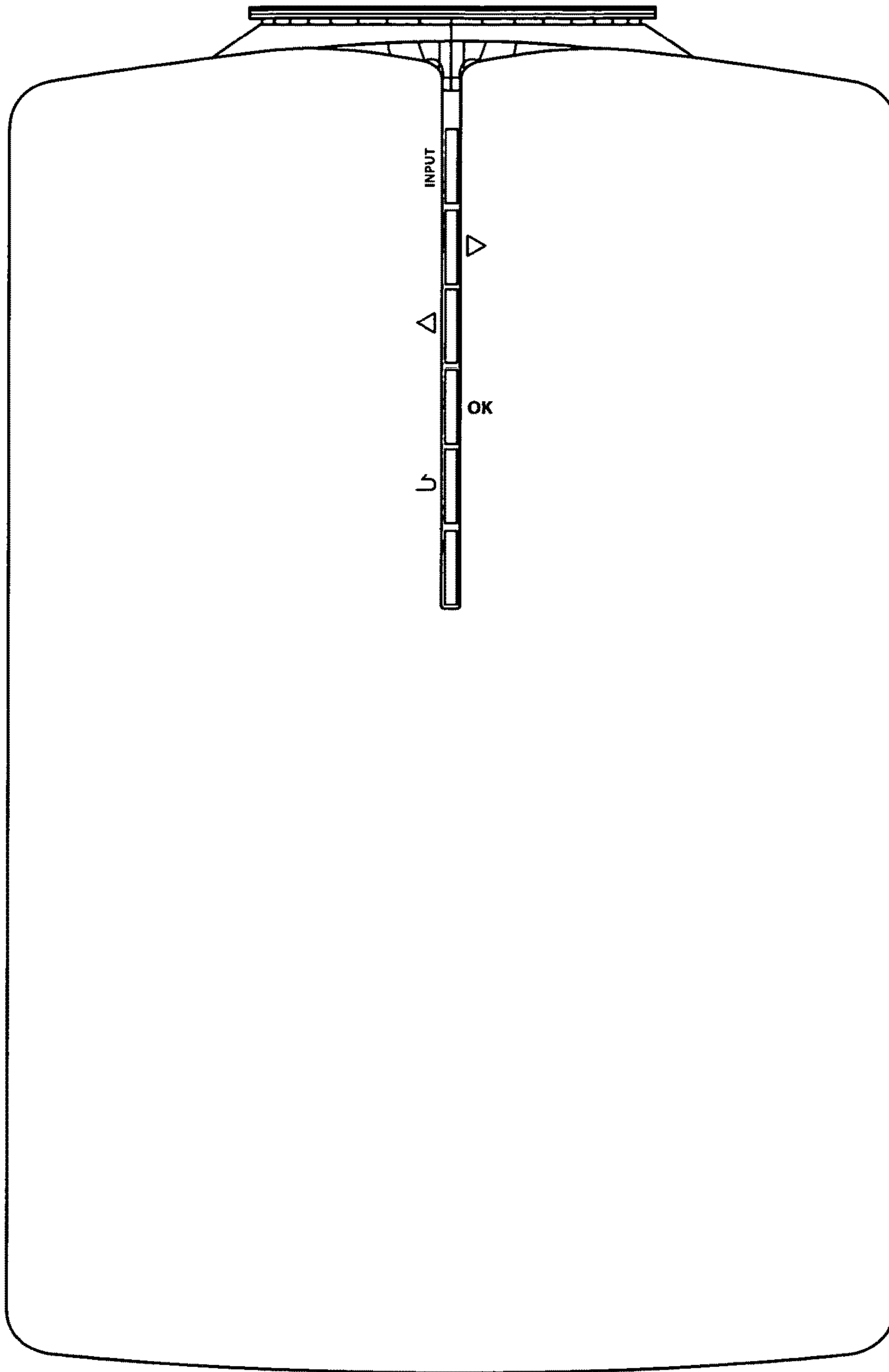


Fig. 4

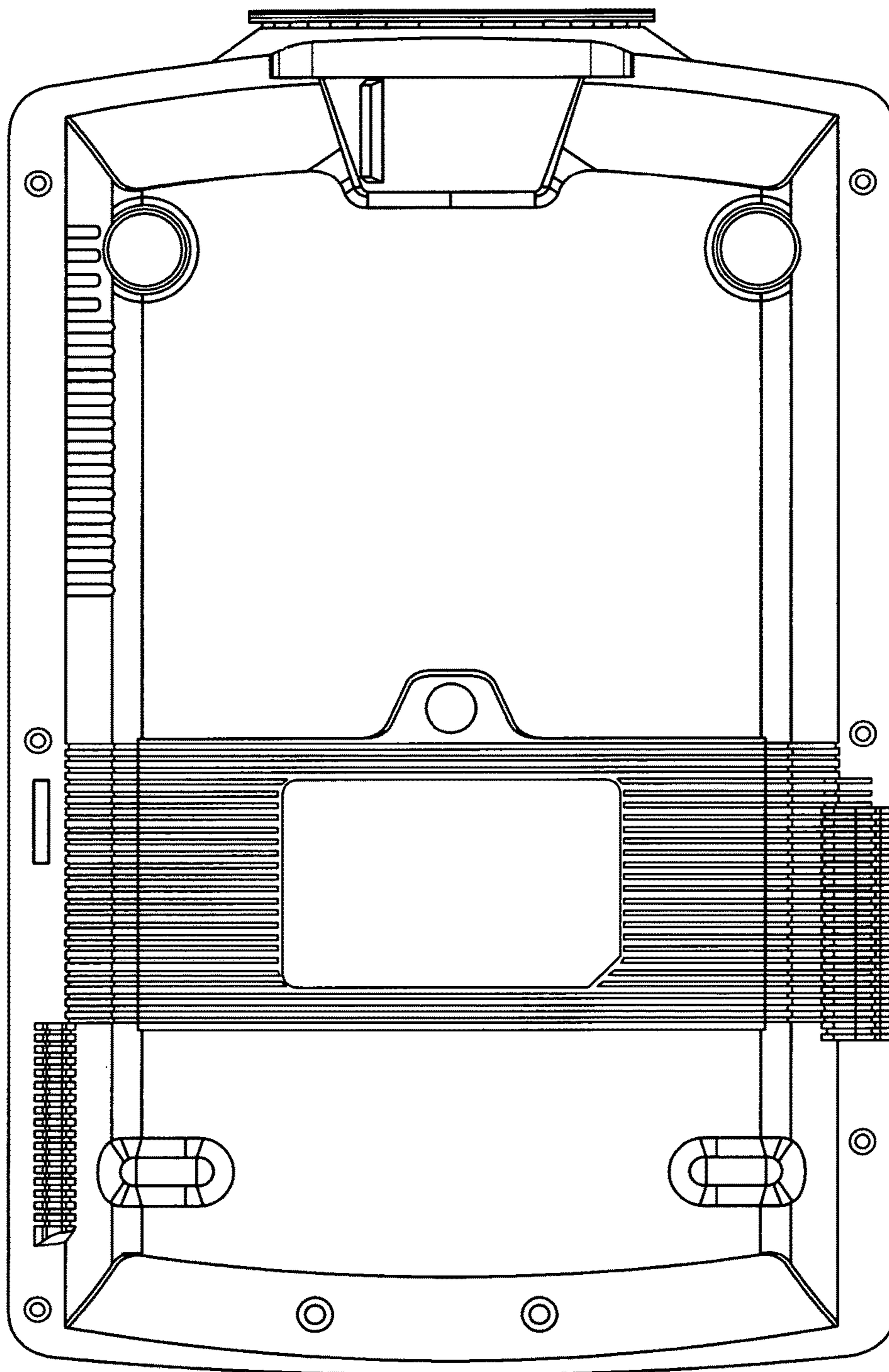


Fig. 5

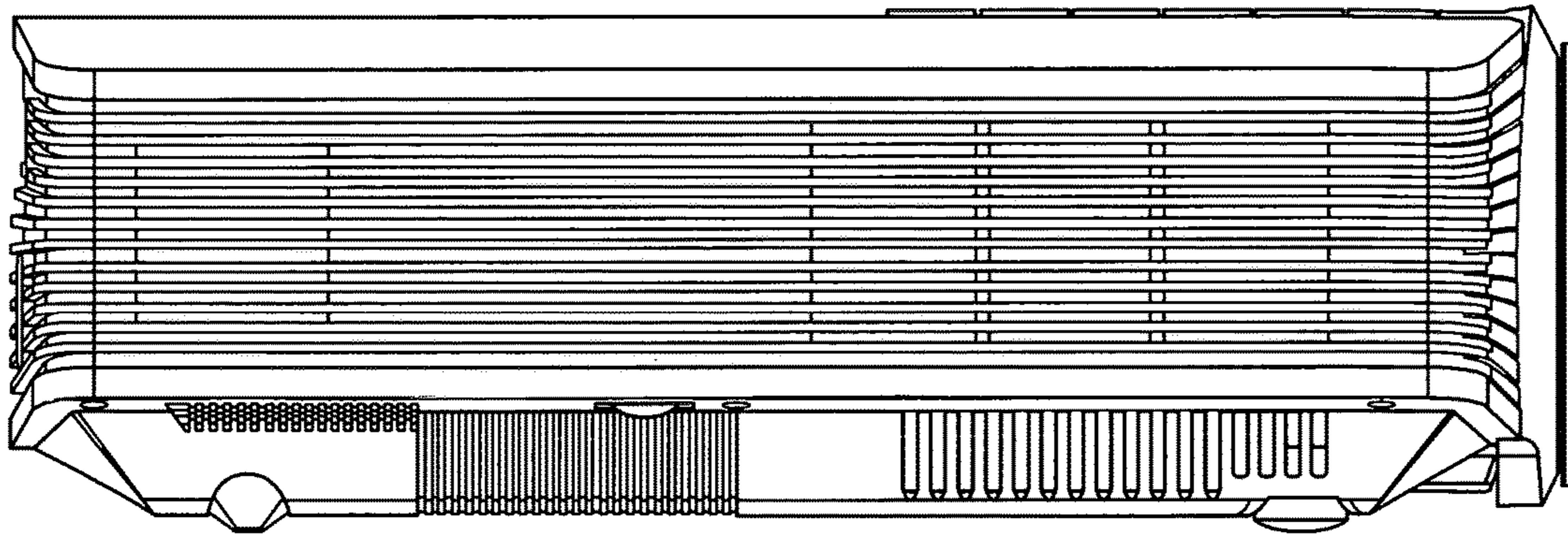


Fig. 6

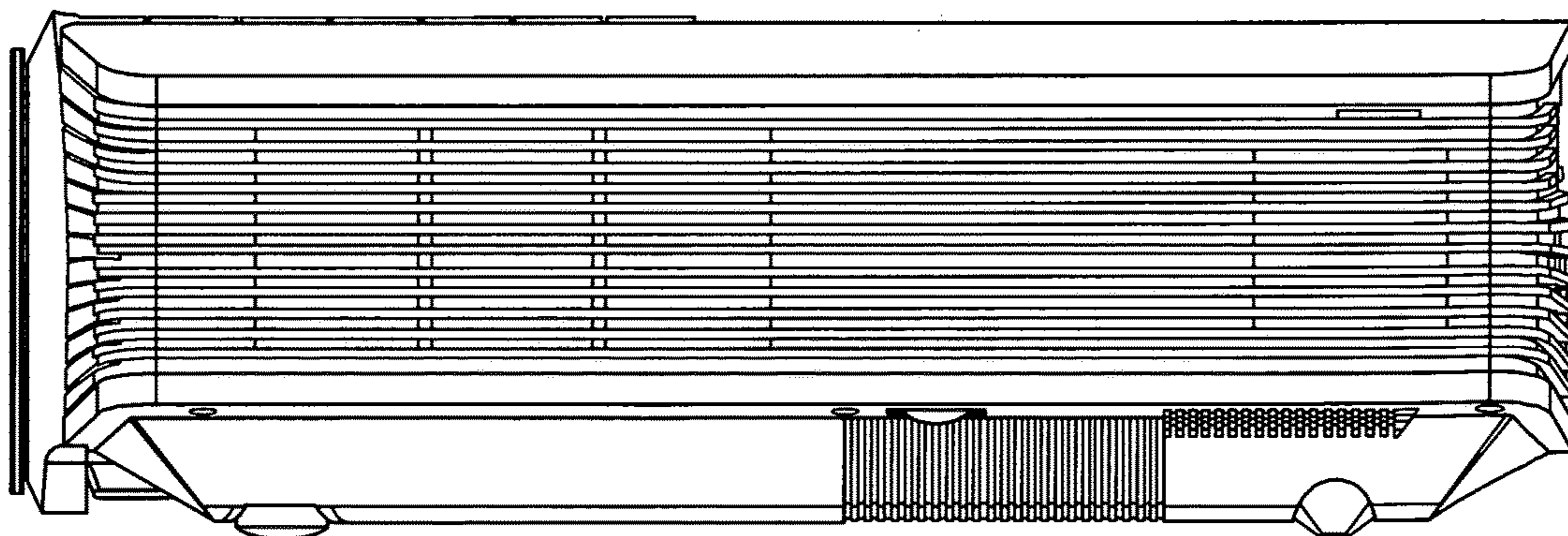


Fig. 7