



US00D831094S

(12) **United States Design Patent**  
**Lee et al.**

(10) **Patent No.:** **US D831,094 S**  
(45) **Date of Patent:** **\*\* Oct. 16, 2018**

- (54) **MAIN BODY FOR PROJECTOR**
- (71) Applicant: **NEC DISPLAY SOLUTIONS, LTD.**,  
Tokyo (JP)
- (72) Inventors: **Junsi Lee**, Tokyo (JP); **Masakazu Suzuki**, Tokyo (JP); **Tomonori Yamaguchi**, Tokyo (JP); **Toshiaki Mizushima**, Kanagawa (JP); **Takayuki Yoshimoto**, Kanagawa (JP)
- (73) Assignee: **NEC DISPLAY SOLUTIONS, LTD.**,  
Tokyo (JP)
- (\*\*) Term: **15 Years**
- (21) Appl. No.: **29/590,241**
- (22) Filed: **Jan. 9, 2017**
- (30) **Foreign Application Priority Data**

D667,480 S *	9/2012	Yamada	.....	D16/225
D671,159 S *	11/2012	Azuma	.....	D16/230
D727,997 S *	4/2015	Utsunomiya	.....	D16/230
D738,949 S *	9/2015	Okamoto	.....	D16/225
D775,681 S *	1/2017	Yuyama	.....	D16/230

- Jul. 21, 2016 (JP) ..... 2016-015522
- (51) **LOC (11) Cl.** ..... **16-02**
- (52) **U.S. Cl.**  
USPC ..... **D16/230; D16/225**
- (58) **Field of Classification Search**  
USPC ..... D16/221, 225, 230-231, 234; D21/514  
CPC ..... G03B 21/145; G03B 21/14; G03B 21/00;  
G03B 21/001; G03B 21/003; G03B  
21/12; G03B 21/16  
See application file for complete search history.

- (56) **References Cited**  
**U.S. PATENT DOCUMENTS**  
D565,629 S \* 4/2008 Morishita ..... D16/225  
D565,630 S \* 4/2008 Morishita ..... D16/225

**OTHER PUBLICATIONS**

Notification from Examiner issued in Japanese Application No. 2016-01552 dated Oct. 28, 2016.

\* cited by examiner

*Primary Examiner* — Wan Laymon

(74) *Attorney, Agent, or Firm* — Sughrue Mion, PLLC

(57) **CLAIM**

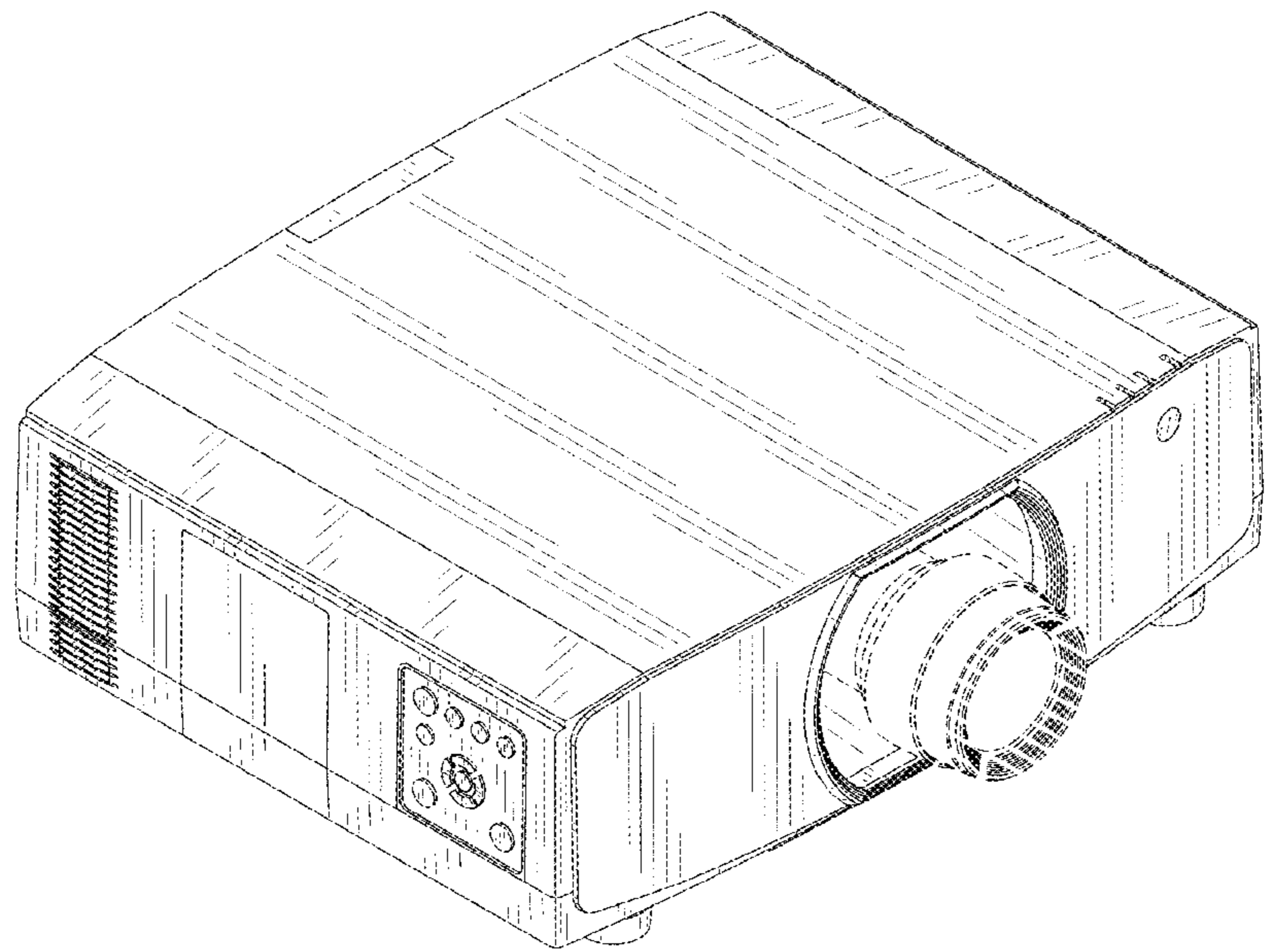
The ornamental design for a main body for projector, as shown and described.

**DESCRIPTION**

FIG. 1 is a front, left side, top perspective view of a main body for projector showing our new design;  
 FIG. 2 is a front elevational view thereof;  
 FIG. 3 is a rear elevational view thereof;  
 FIG. 4 is a left side view thereof;  
 FIG. 5 is a right side view thereof;  
 FIG. 6 is a top plan view thereof;  
 FIG. 7 is a bottom plan view thereof; and,  
 FIG. 8 is a reference perspective view thereof, showing a used state.

In the drawings, the broken lines depict environmental subject matter only and form no part of the claimed design.

**1 Claim, 8 Drawing Sheets**



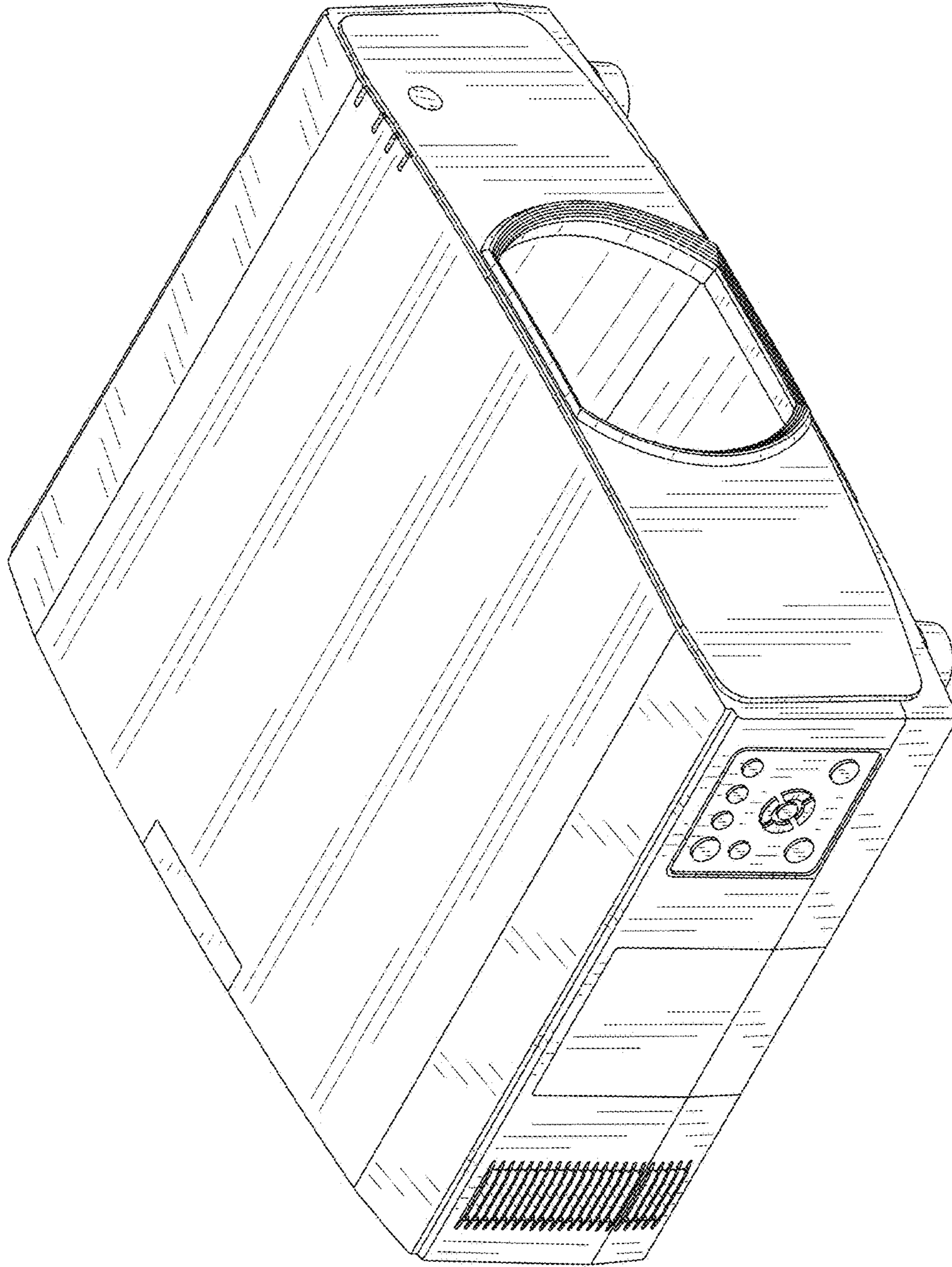


FIG. 1

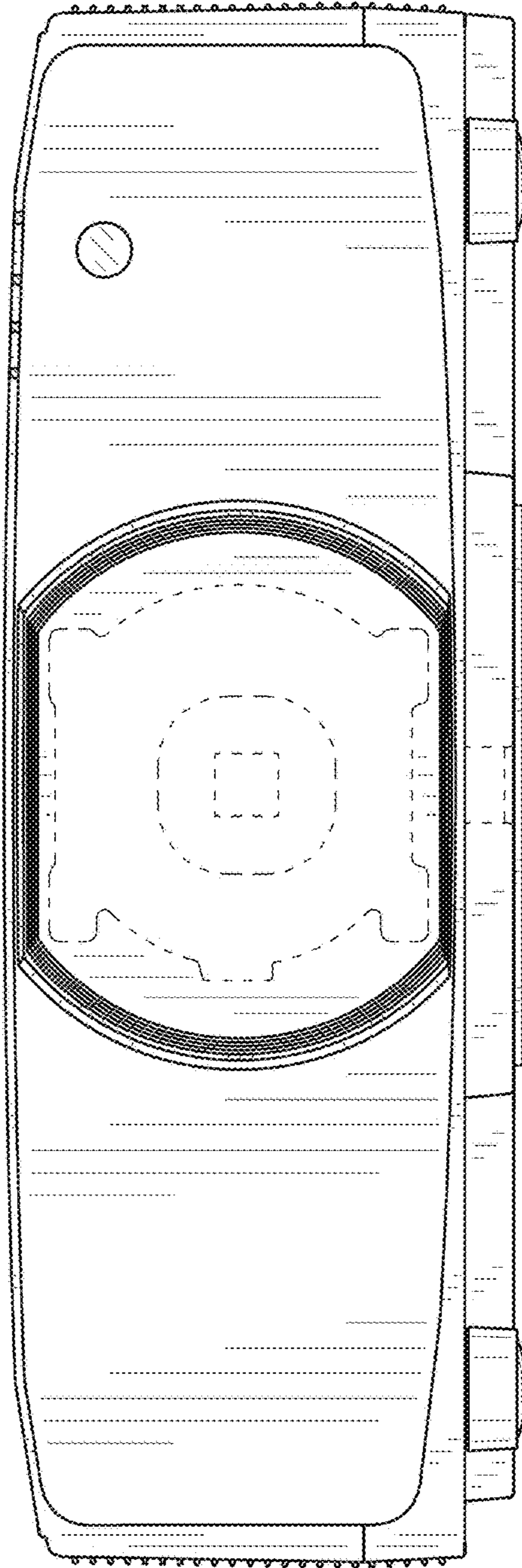


FIG. 2

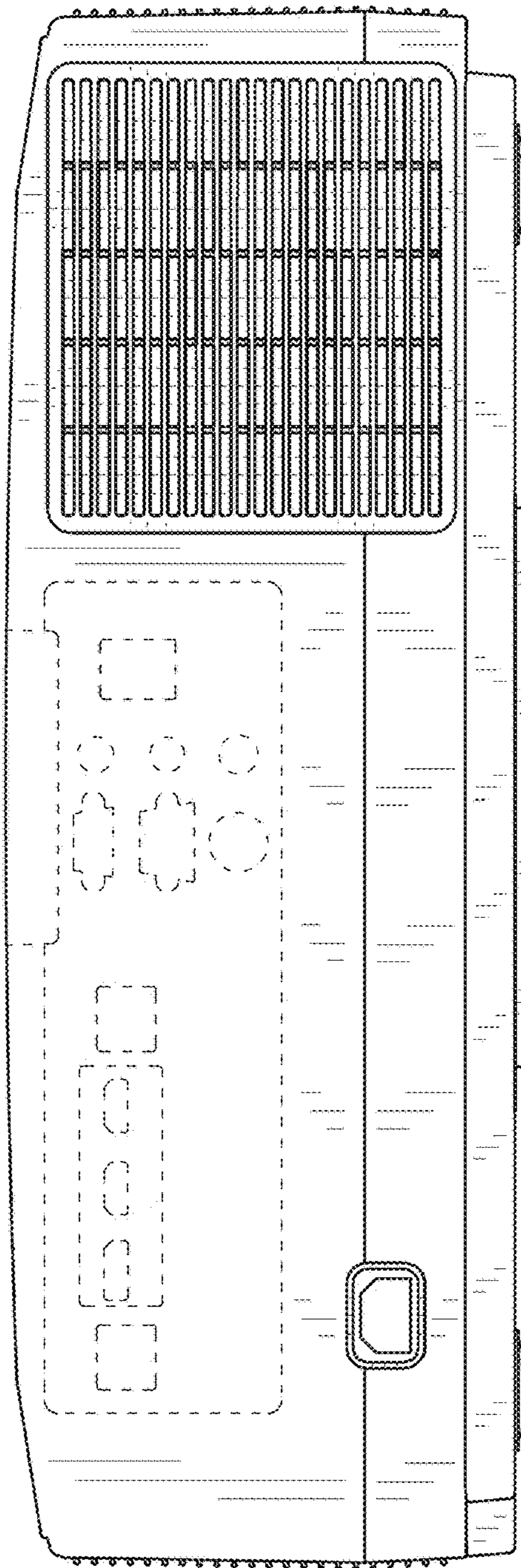


FIG. 3

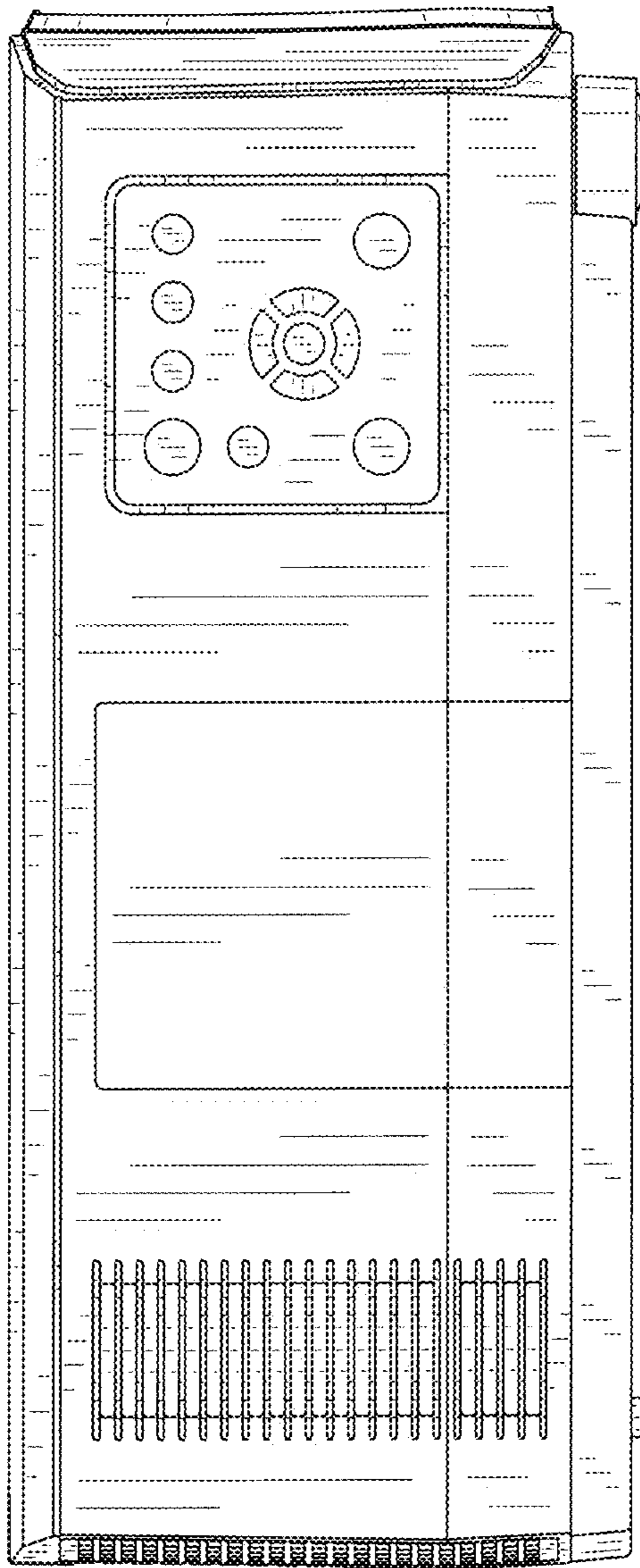


FIG. 4

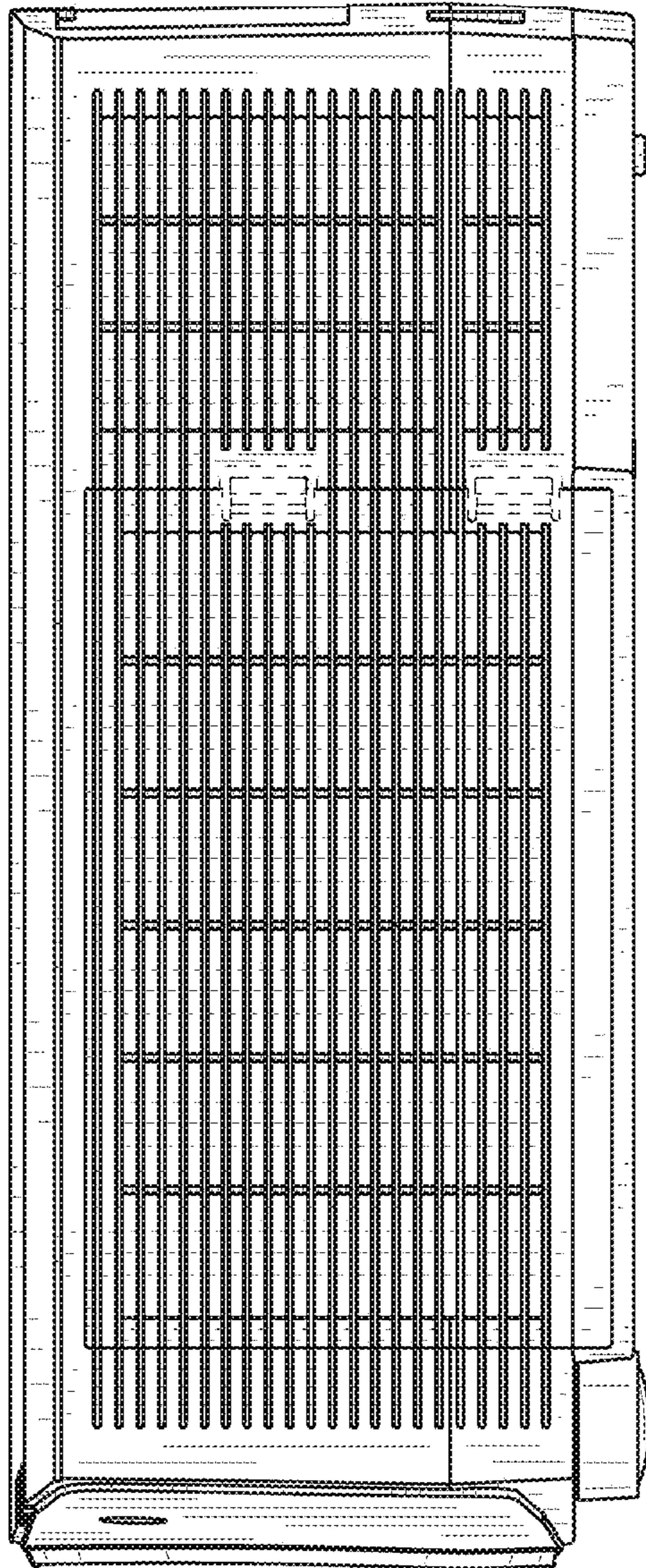


FIG. 5

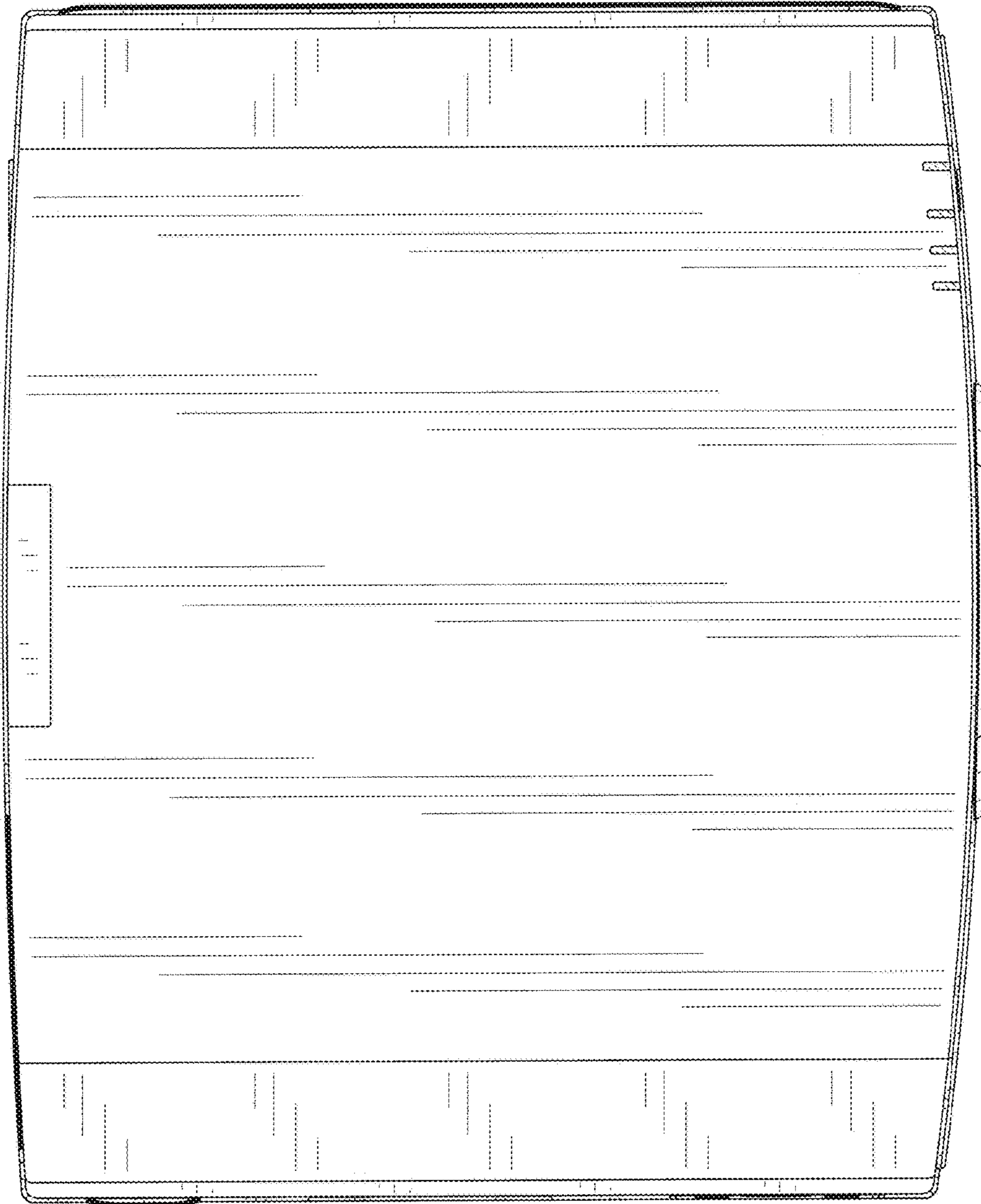


FIG. 6

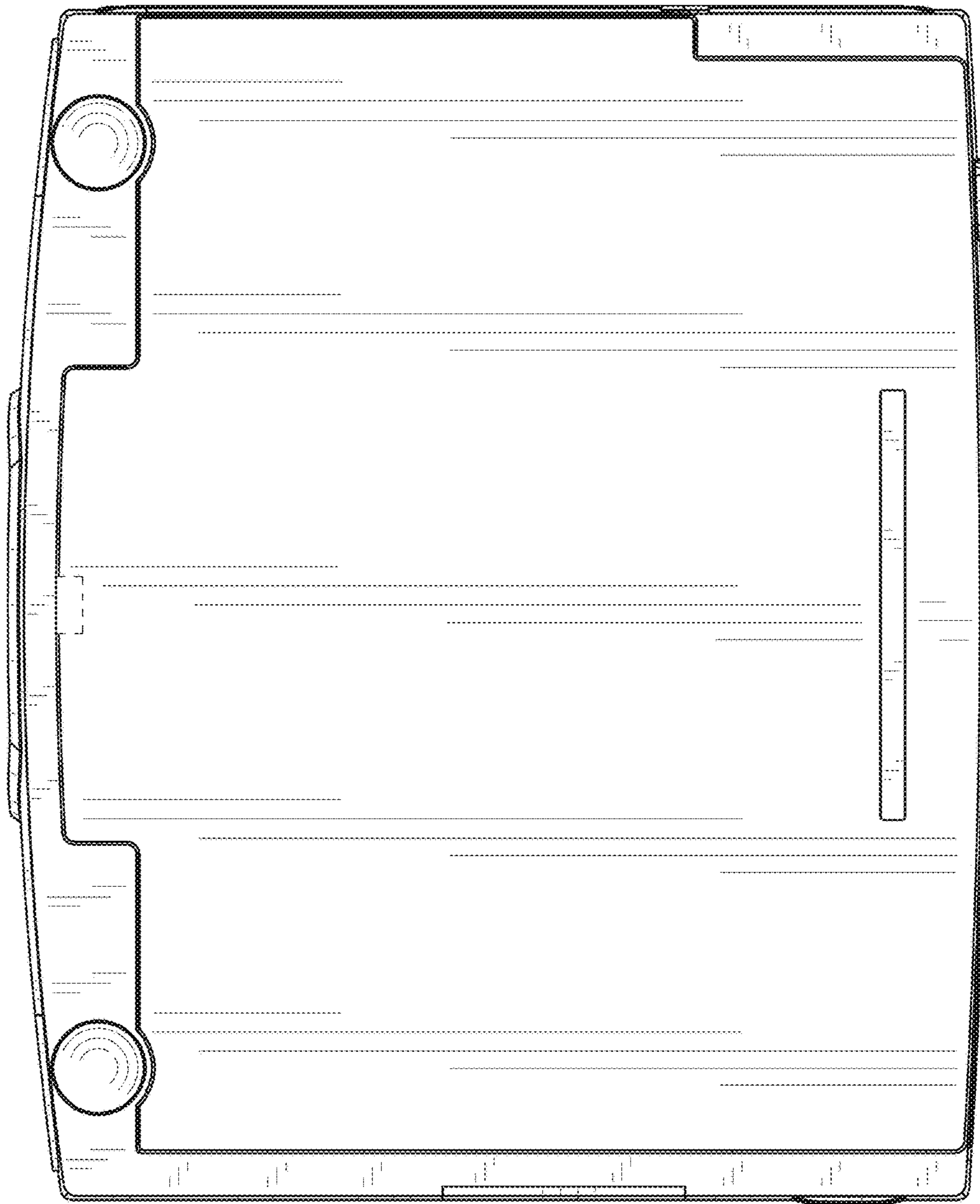


FIG. 7



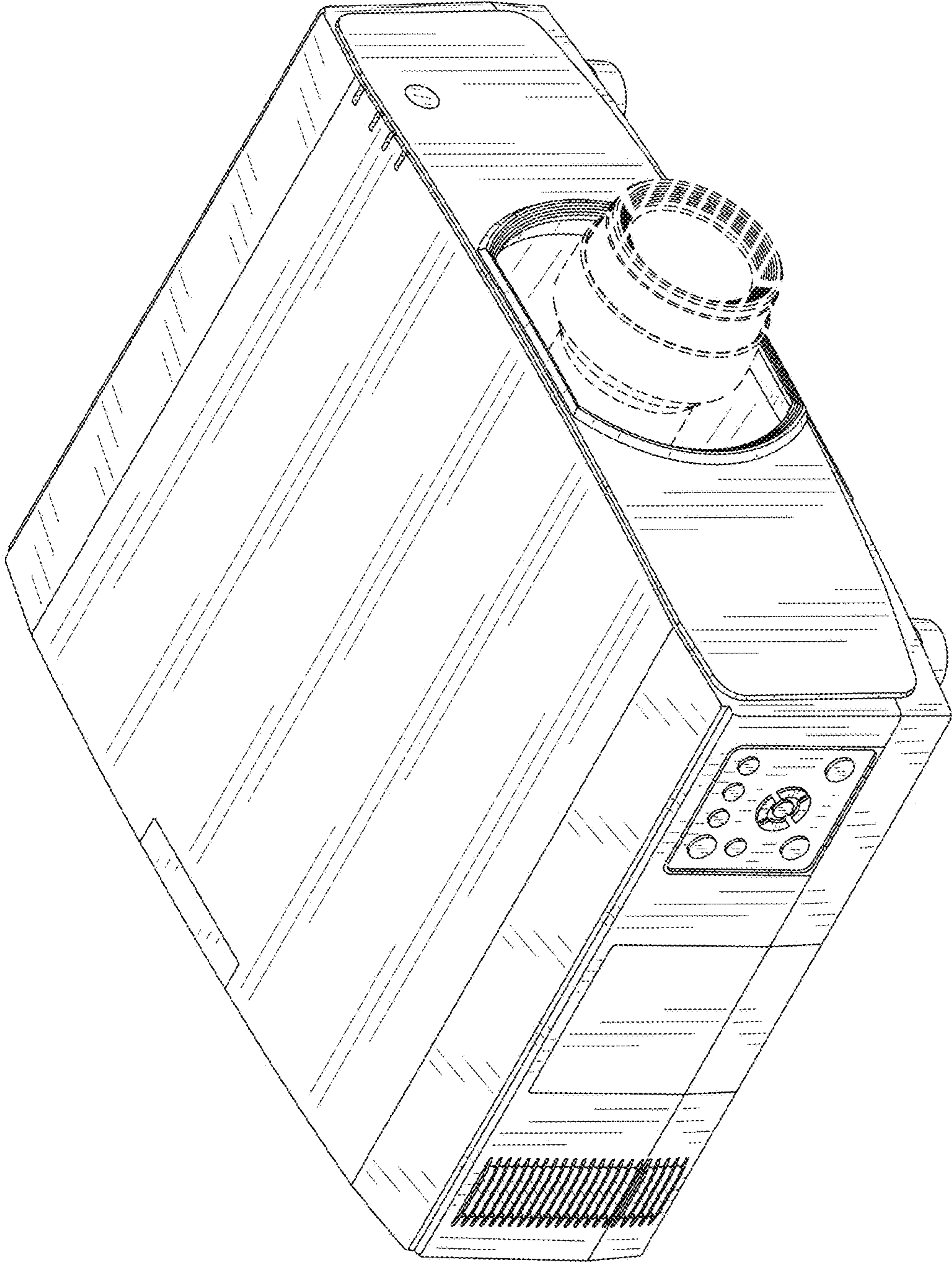


FIG. 8