



US00D831092S

(12) **United States Design Patent**  
**Watanabe**

(10) **Patent No.:** **US D831,092 S**  
(45) **Date of Patent:** **\*\* Oct. 16, 2018**

(54) **DIGITAL CAMERA**

- (71) Applicant: **Nikon Corporation**, Tokyo (JP)
- (72) Inventor: **Sumito Watanabe**, Yokohama (JP)
- (73) Assignee: **Nikon Corporation**, Tokyo (JP)
- (\*\*) Term: **14 Years**

- (21) Appl. No.: **29/512,519**
- (22) Filed: **Dec. 19, 2014**

(30) **Foreign Application Priority Data**

- Jun. 20, 2014 (JP) ..... 2014-013513
- (51) **LOC (11) Cl.** ..... **16-05**
- (52) **U.S. Cl.**  
USPC ..... **D16/219**
- (58) **Field of Classification Search**  
USPC ..... D16/200, 202-206, 208-209, 212, 218,  
D16/219; 348/373-376; 396/287, 535,  
396/539-541  
CPC ..... G03B 15/03; G03B 17/02; G03B 17/04;  
G03B 17/56; G03B 19/04; H04N 5/2251;  
H04N 5/2252; H04N 5/2253; H04N  
5/2254; H04N 2101/00  
See application file for complete search history.

(56) **References Cited**

**U.S. PATENT DOCUMENTS**

- D415,513 S \* 10/1999 Fujii ..... D16/200
- 6,427,051 B1 7/2002 Hosokawa
- D559,291 S 1/2008 Hayashi
- D560,239 S 1/2008 Kim
- D564,560 S \* 3/2008 Funakoshi ..... D16/200
- D564,561 S \* 3/2008 Takahashi ..... D16/200
- D581,440 S 11/2008 Nakamura
- D591,783 S \* 5/2009 Matsuda ..... D16/217
- D594,892 S 6/2009 Kamiya
- D609,730 S 2/2010 Nakamura

(Continued)

**FOREIGN PATENT DOCUMENTS**

- JP 1345470 12/2008
- JP 1354834 3/2009
- JP 1450409 9/2012

**OTHER PUBLICATIONS**

Website, [http://www.nikon.co.jp/news/2013/0221\\_d7100\\_01.htm](http://www.nikon.co.jp/news/2013/0221_d7100_01.htm), A New Product of Nikon Corporation, Digital Single-Sens Reflex Camera "D7100" and Wireless Remote Controller "WR-1", Controller, dated Feb. 21, 2013, pp. 1-7.

(Continued)

*Primary Examiner* — Philip S Hyder  
*Assistant Examiner* — Ramzi S Almatrahi  
(74) *Attorney, Agent, or Firm* — Wolf, Greenfield & Sacks, P.C.

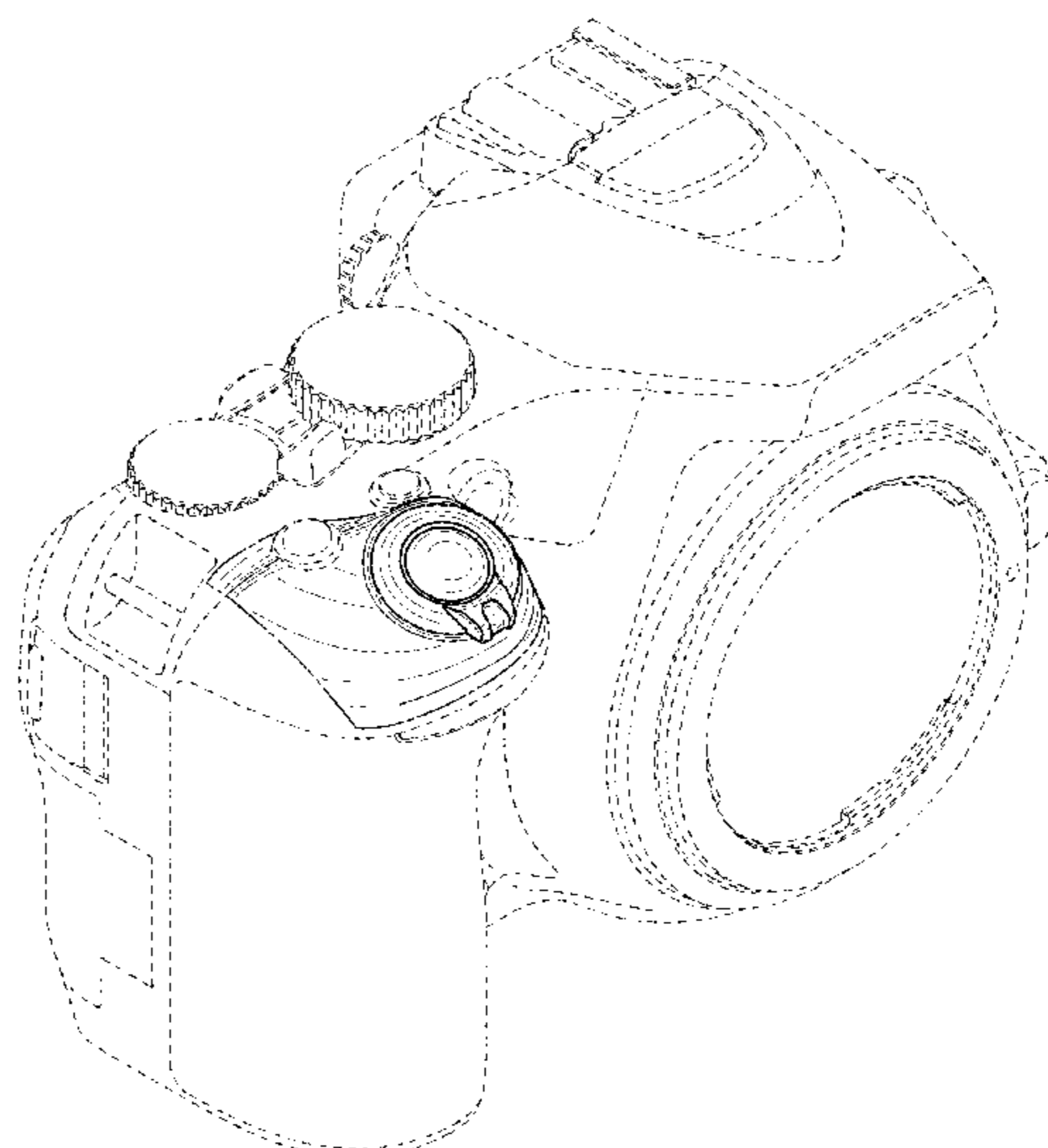
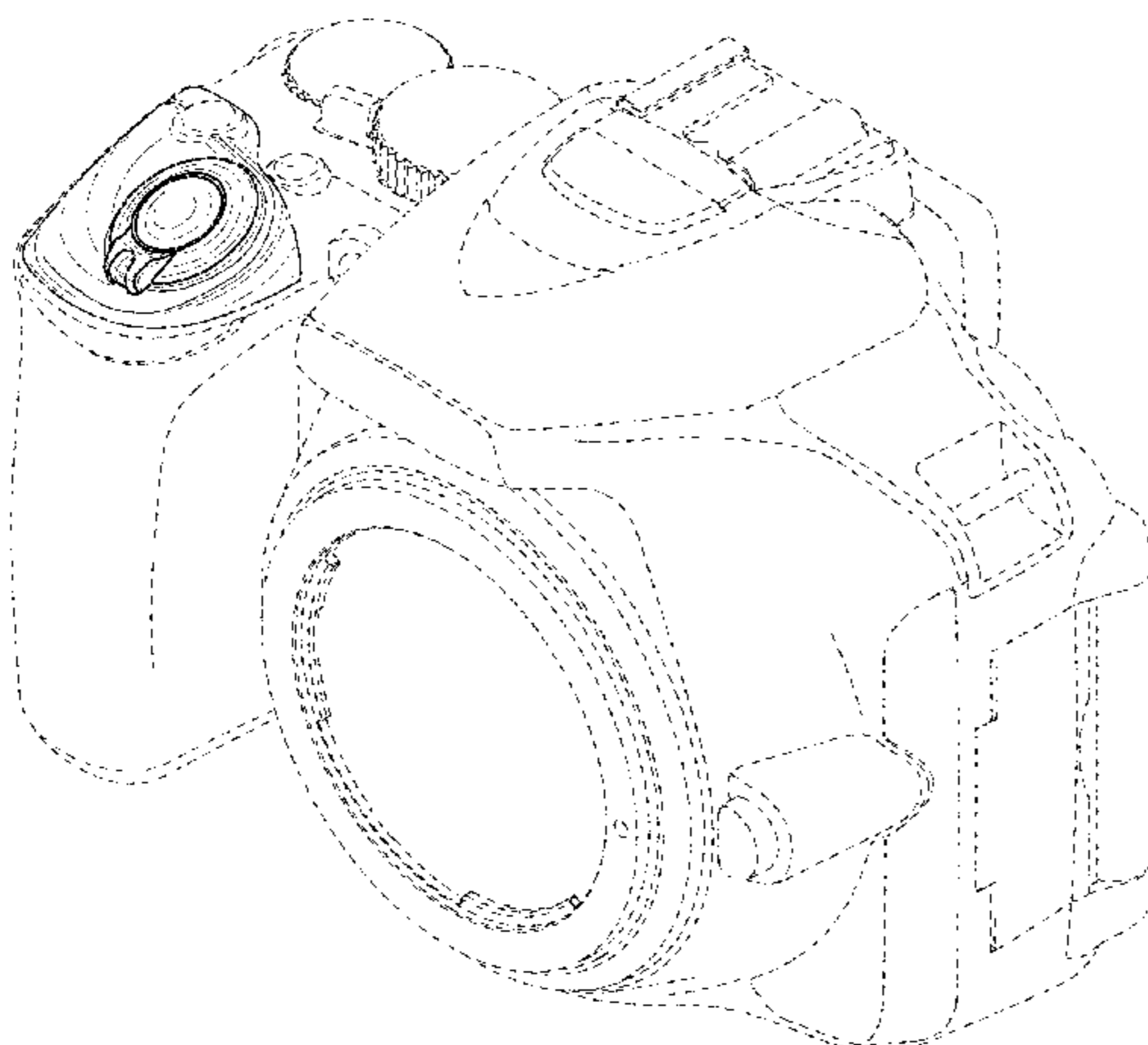
(57) **CLAIM**

The ornamental design for a digital camera, as shown and described.

**DESCRIPTION**

FIG. 1 is a front, top and right side perspective view of a digital camera showing my new design; FIG. 2 is a front, top and left side perspective view thereof; FIG. 3 is a front elevational view thereof; FIG. 4 is a rear elevational view thereof; FIG. 5 is a top plan view thereof; FIG. 6 is a right side elevational view thereof; and, FIG. 7 is a left side elevational view thereof. The broken lines depict portions of the digital camera in which the design is embodied that form no part of the claimed design. Additionally, the dash-dot lines denote the boundary of the claim and form no part of the claimed design. The bottom plan views form no part of the claimed design and have been omitted from the drawings.

**1 Claim, 7 Drawing Sheets**



(56)

**References Cited**

U.S. PATENT DOCUMENTS

D611,977	S	3/2010	Kim	
D620,036	S	7/2010	Obata	
D630,661	S *	1/2011	Meguro	..... D16/202
D630,663	S *	1/2011	Meguro	..... D16/217
8,199,245	B2	6/2012	Sato	
D664,582	S	7/2012	Asano	
D672,802	S	12/2012	Nojima	
8,326,138	B2	12/2012	Yoshii	
D690,755	S	10/2013	Nikaido	
D698,840	S	2/2014	Nakamura	
D724,131	S	3/2015	Kim	
D726,797	S	4/2015	Ham	
D732,099	S *	6/2015	Nagaoka	..... D16/202
D733,782	S *	7/2015	Sakai	..... D16/202
D736,846	S	8/2015	Jang	
2013/0093946	A1	4/2013	Nakagawa	

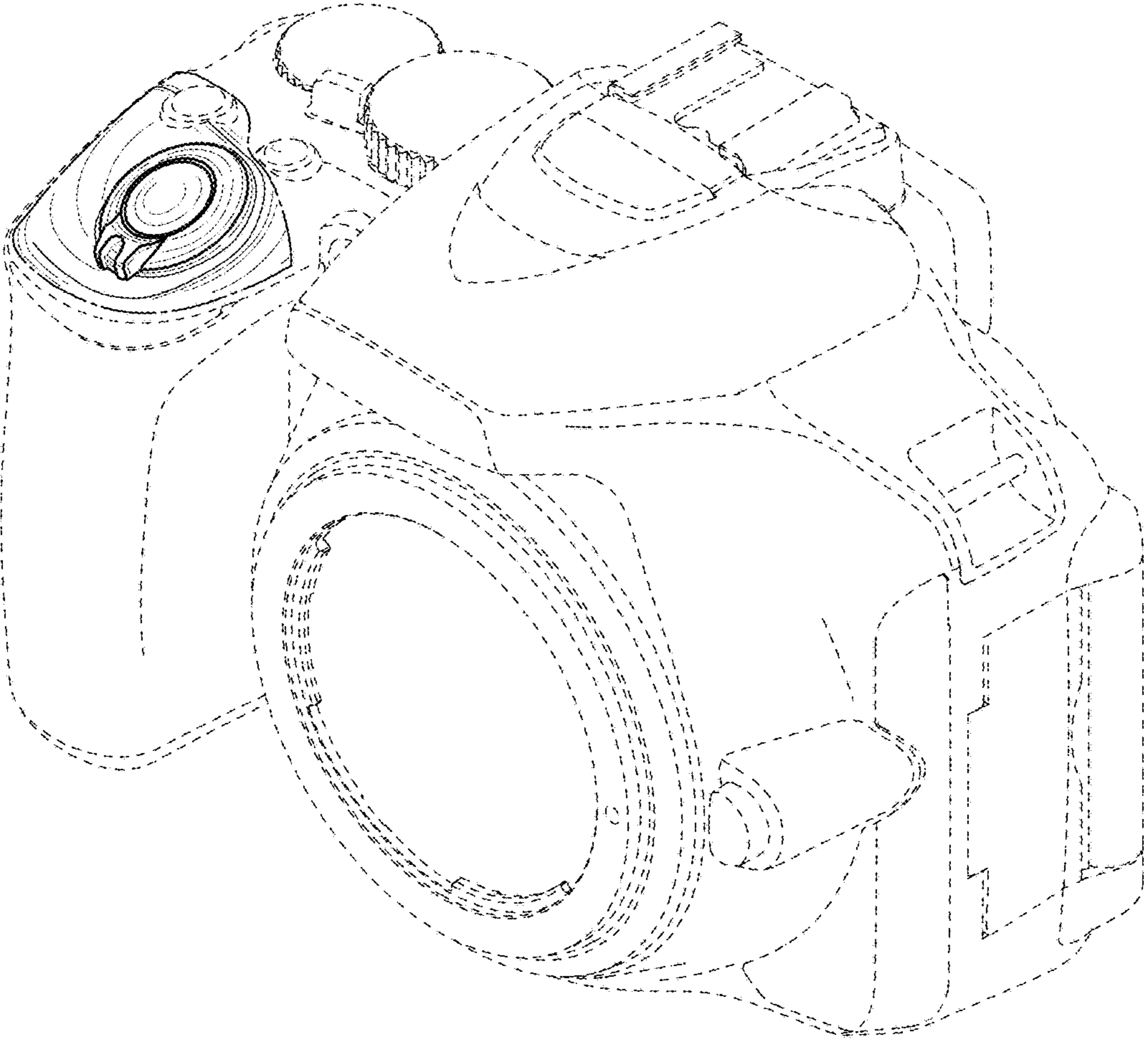
OTHER PUBLICATIONS

Website, [http://www.nikon.co.jp/news/2012/0207\\_d800\\_01.htm](http://www.nikon.co.jp/news/2012/0207_d800_01.htm), A New Product of Nikon Corporation, Digital Single-Lens Reflex Cameras "D800" and D800E, Are to be Released, dated Feb. 7, 2012, pp. 1-6.

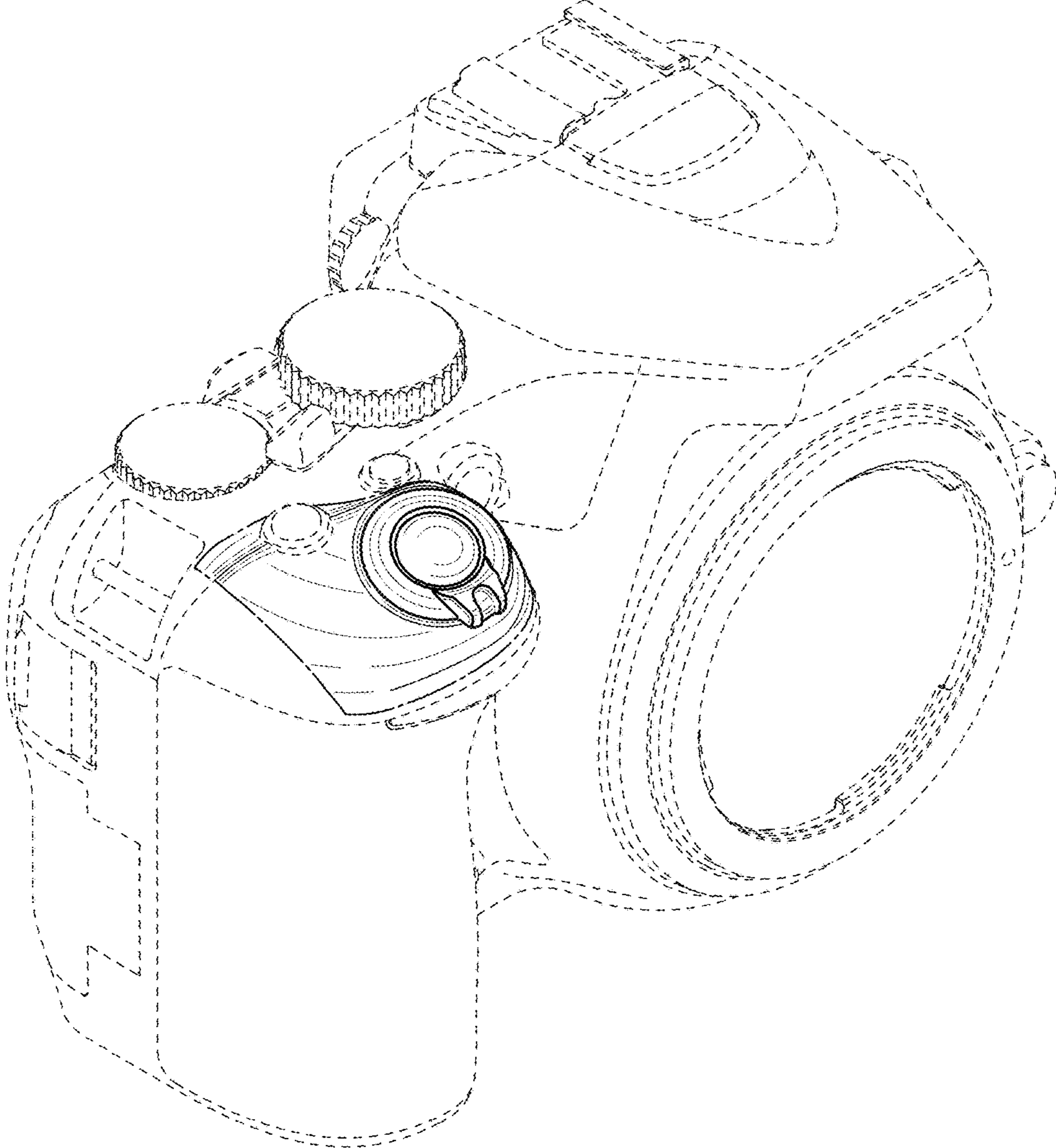
Website, [http://www.nikon.co.jp/news/2013/1017\\_d5300\\_01.htm](http://www.nikon.co.jp/news/2013/1017_d5300_01.htm), A New Product of Nikon Corporation, Digital Single-Lens Reflex Camera is to Be Released, dated Oct. 17, 2013, pp. 1-7.

\* cited by examiner

**FIG. 1**

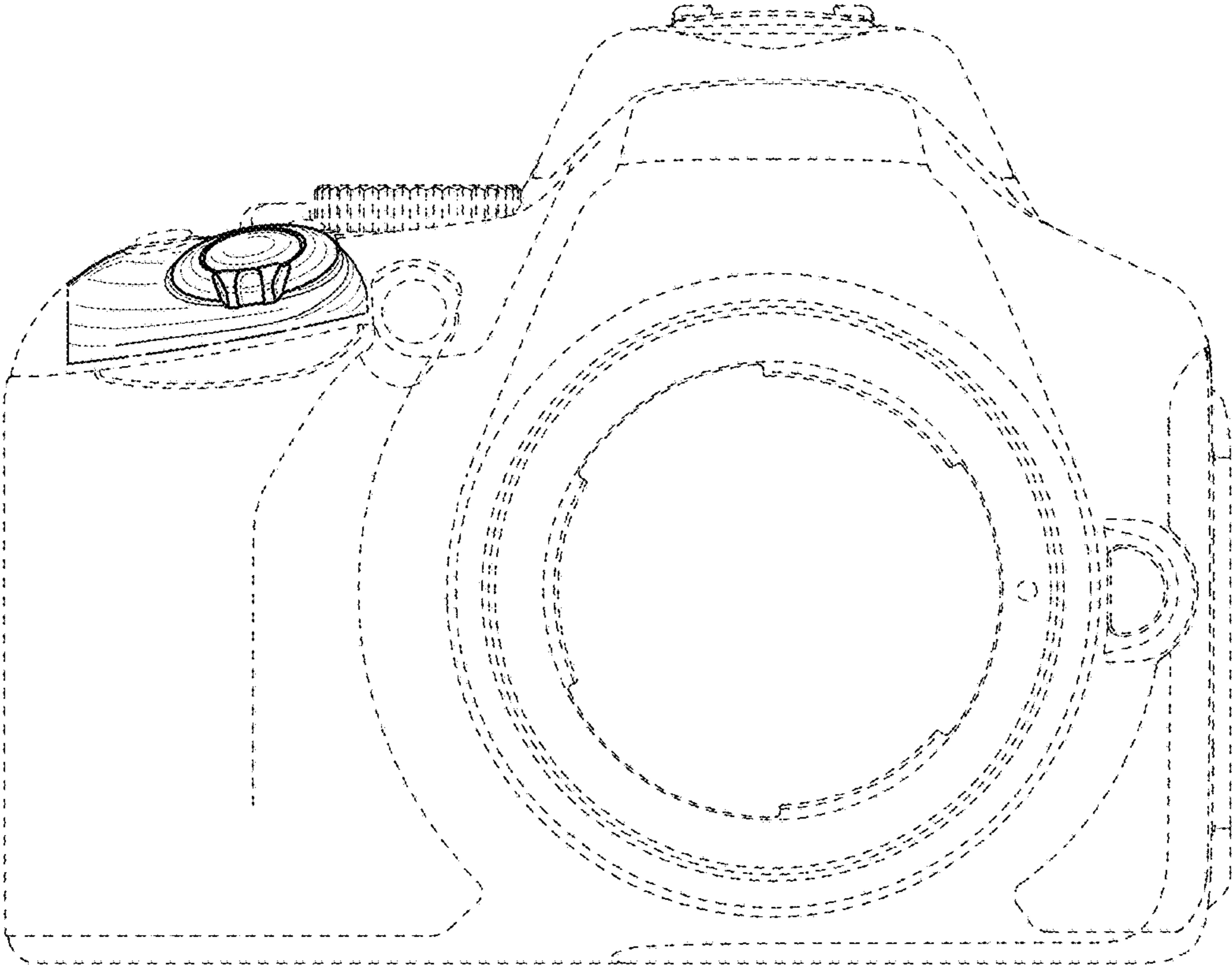


**FIG. 2**

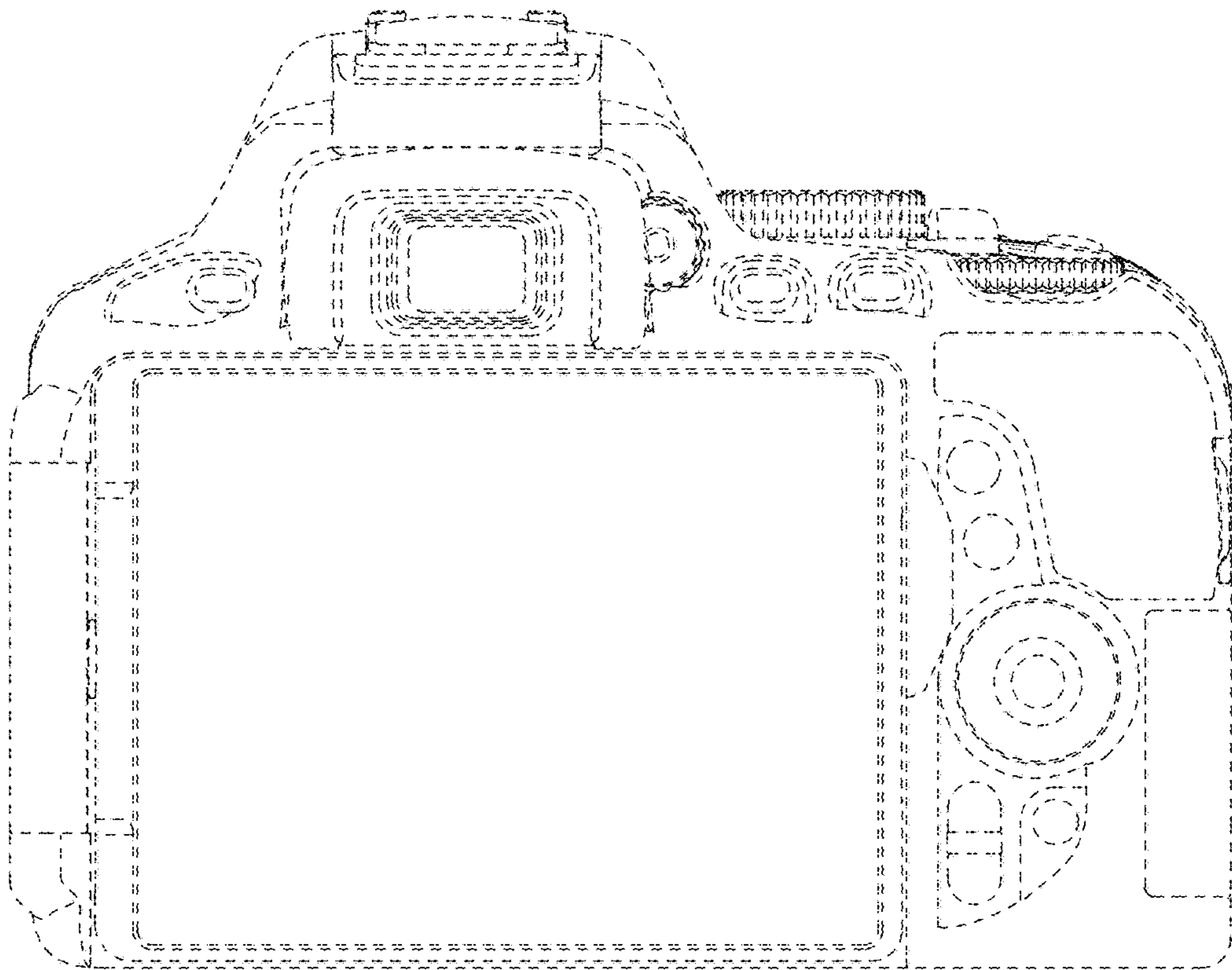




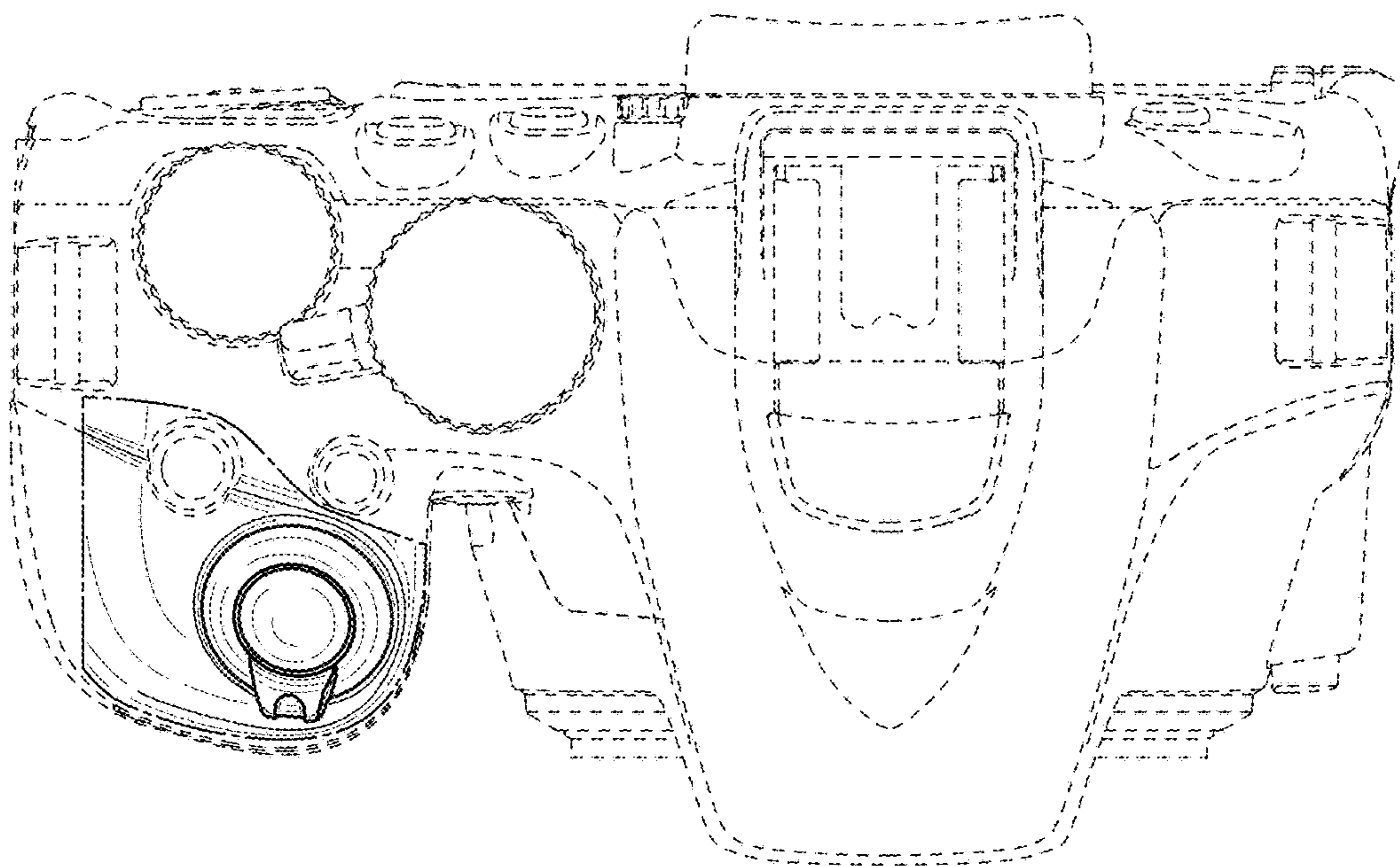
**FIG. 3**



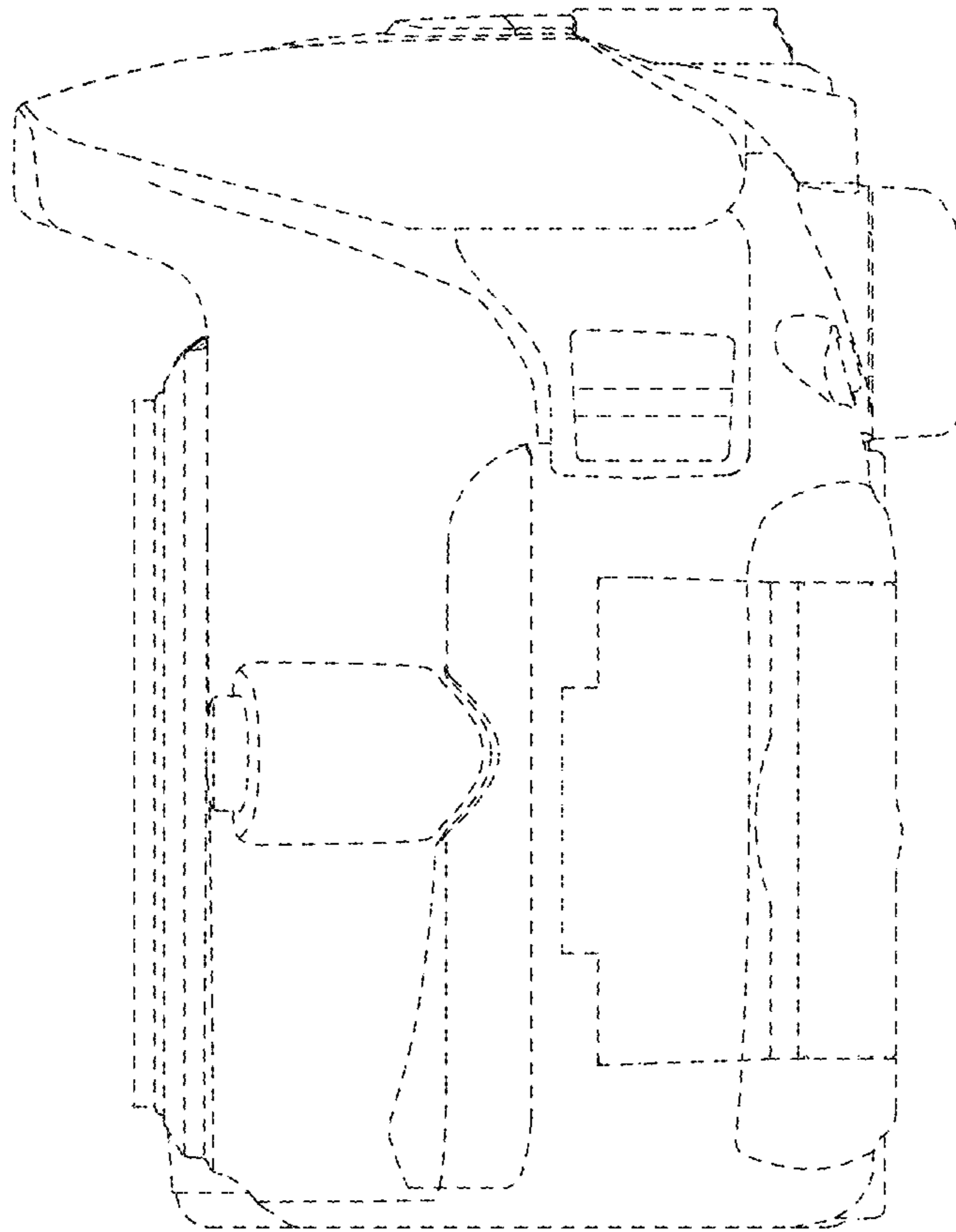
**FIG. 4**



**FIG. 5**



**FIG. 6**





**FIG. 7**

