



US00D831090S

(12) **United States Design Patent** (10) **Patent No.:** **US D831,090 S**
Ahman et al. (45) **Date of Patent:** **** Oct. 16, 2018**

(54) **MONITORING CAMERA**

G08B 13/19632; F16M 11/04; F16M 13/00

(71) Applicant: **Axis AB**, Lund (SE)

See application file for complete search history.

(72) Inventors: **Daniel Ahman**, Lomma (SE); **Agnes Rusz**, Malmo (SE); **Stefan Larsson**, Lund (SE); **Morten Bergstrom**, Lund (SE); **Mathias Walter**, Arlov (SE)

(56) **References Cited**

U.S. PATENT DOCUMENTS

D400,995 S *	11/1998	LaRosa	D26/63
6,151,065 A	11/2000	Steed		
D529,064 S	9/2006	Badalian		
D658,799 S *	5/2012	Levine	D26/63
D660,491 S *	5/2012	Holscher	D26/63
D698,841 S	2/2014	Lee		
D743,085 S *	11/2015	Stolte	D26/76
D751,618 S	3/2016	Hinkel		
D763,341 S	8/2016	Hinkel		
D769,345 S	10/2016	Hinkel		
D788,834 S	6/2017	Bhattacharya		
D795,940 S	8/2017	Huang		
2013/0038728 A1	2/2013	Kim		

(73) Assignee: **AXIS AB**, Lund (SE)

(**) Term: **15 Years**

(21) Appl. No.: **29/621,164**

(22) Filed: **Oct. 5, 2017**

Related U.S. Application Data

(62) Division of application No. 29/588,134, filed on Dec. 19, 2016.

FOREIGN PATENT DOCUMENTS

TW	D174531	3/2016
WO	DM091789	4/2016

* cited by examiner

(30) **Foreign Application Priority Data**

Jun. 20, 2016 (EM) 003230259

(51) **LOC (11) Cl.** **16-01**

(52) **U.S. Cl.**
USPC **D16/203**

(58) **Field of Classification Search**

USPC D16/200, 202-206, 218, 219, 242;
D26/24, 28, 61, 63, 65, 74, 80, 89;
348/143, 148, 151, 373-376; 396/419,
396/427, 535, 539-541
CPC G03B 17/02; G03B 19/04; G03B 17/56;
G03B 17/04; G03B 15/03; H04N 5/2251;
H04N 5/2252; H04N 5/2253; H04N
5/2254; H04N 7/181; H04N 7/183; H04N
7/18; G08B 13/1963; G08B 13/19619;

Primary Examiner — Philip S Hyder

Assistant Examiner — Ramzi S Almatrahi

(74) *Attorney, Agent, or Firm* — Volpe and Koenig, P.C.

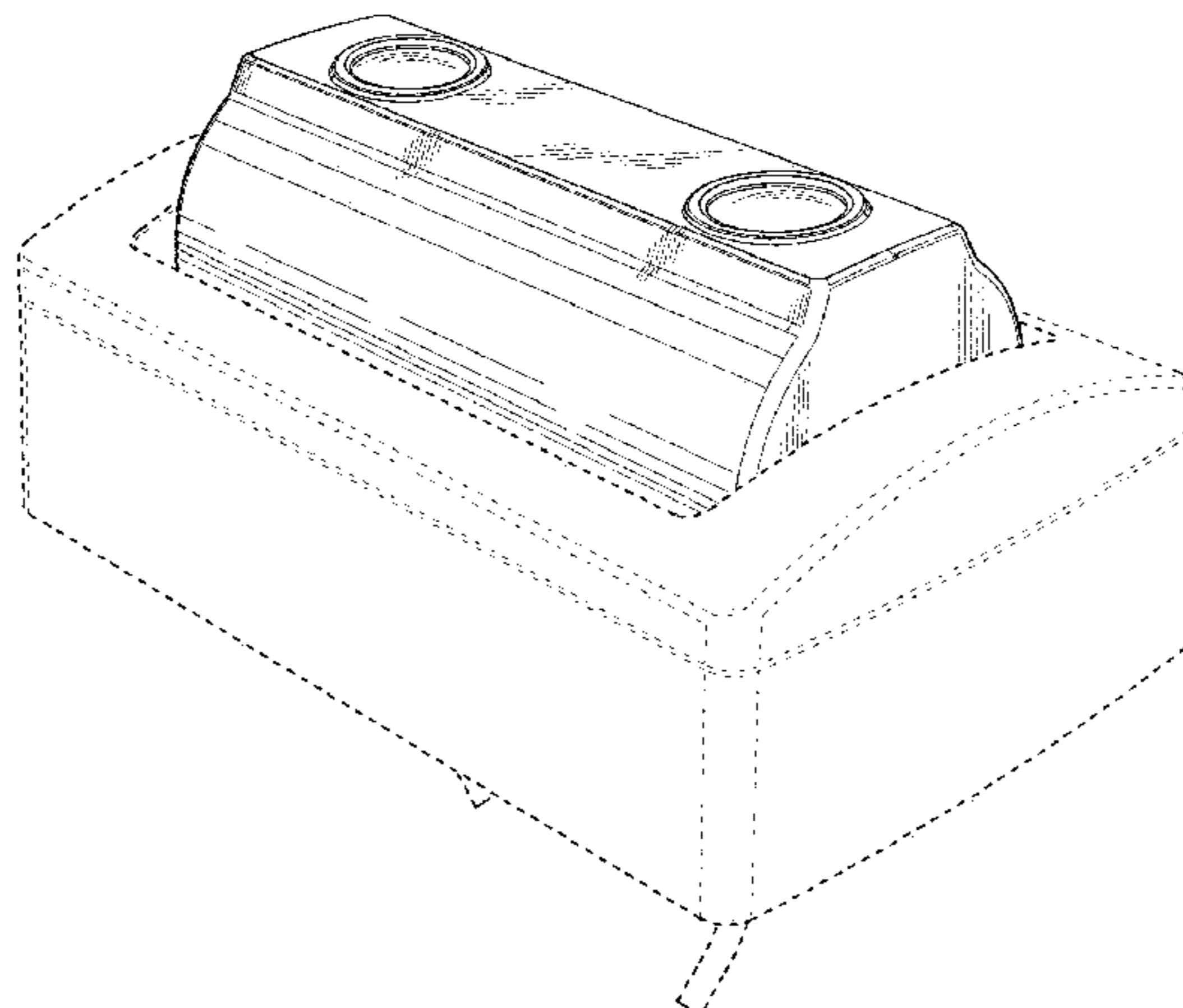
(57) **CLAIM**

The ornamental design for a monitoring camera, as shown and described.

DESCRIPTION

FIG. 1 is a perspective view of a monitoring camera in accordance with our new design;
FIG. 2 is a top plan view thereof;
FIG. 3 is a front elevational view thereof;
FIG. 4 is a right side elevational view thereof;
FIG. 5 is a left sided elevational view thereof;
FIG. 6 is a rear elevational view thereof; and,
FIG. 7 is a bottom plan view thereof.

(Continued)



The broken lines depict portions of the monitoring camera in which the design is embodied that form no part of the claimed design.

1 Claim, 4 Drawing Sheets

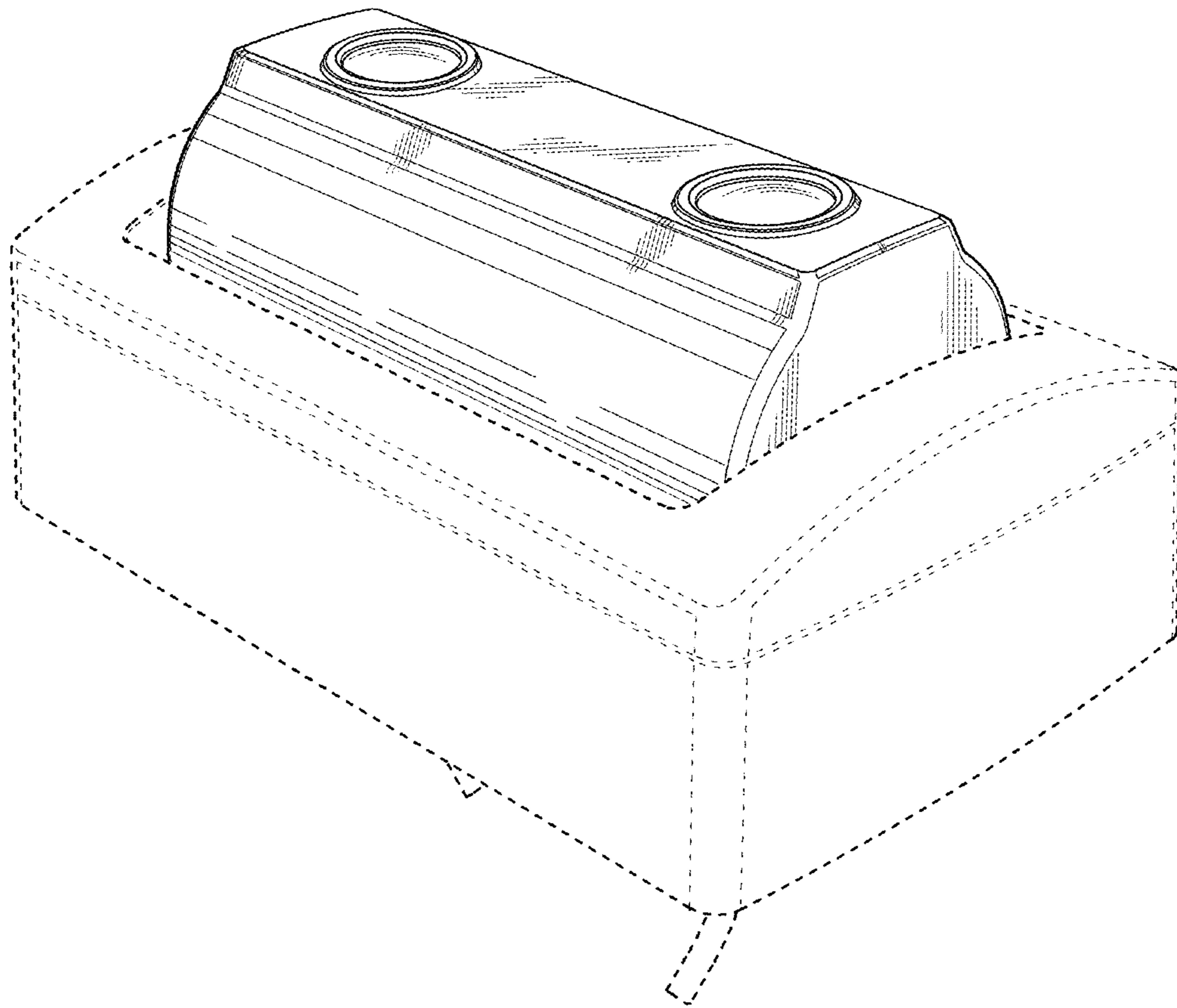


Fig. 1

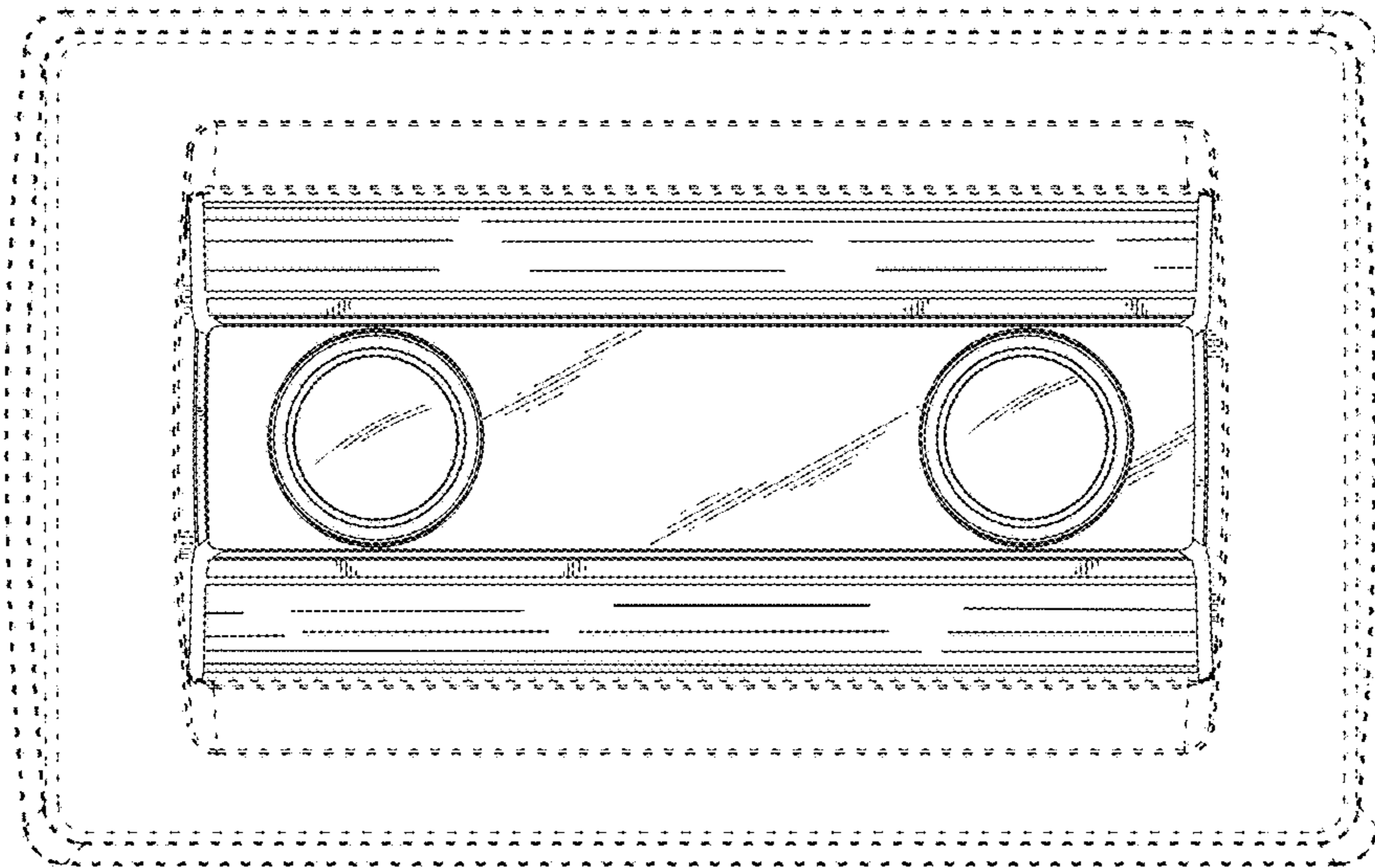


Fig. 2

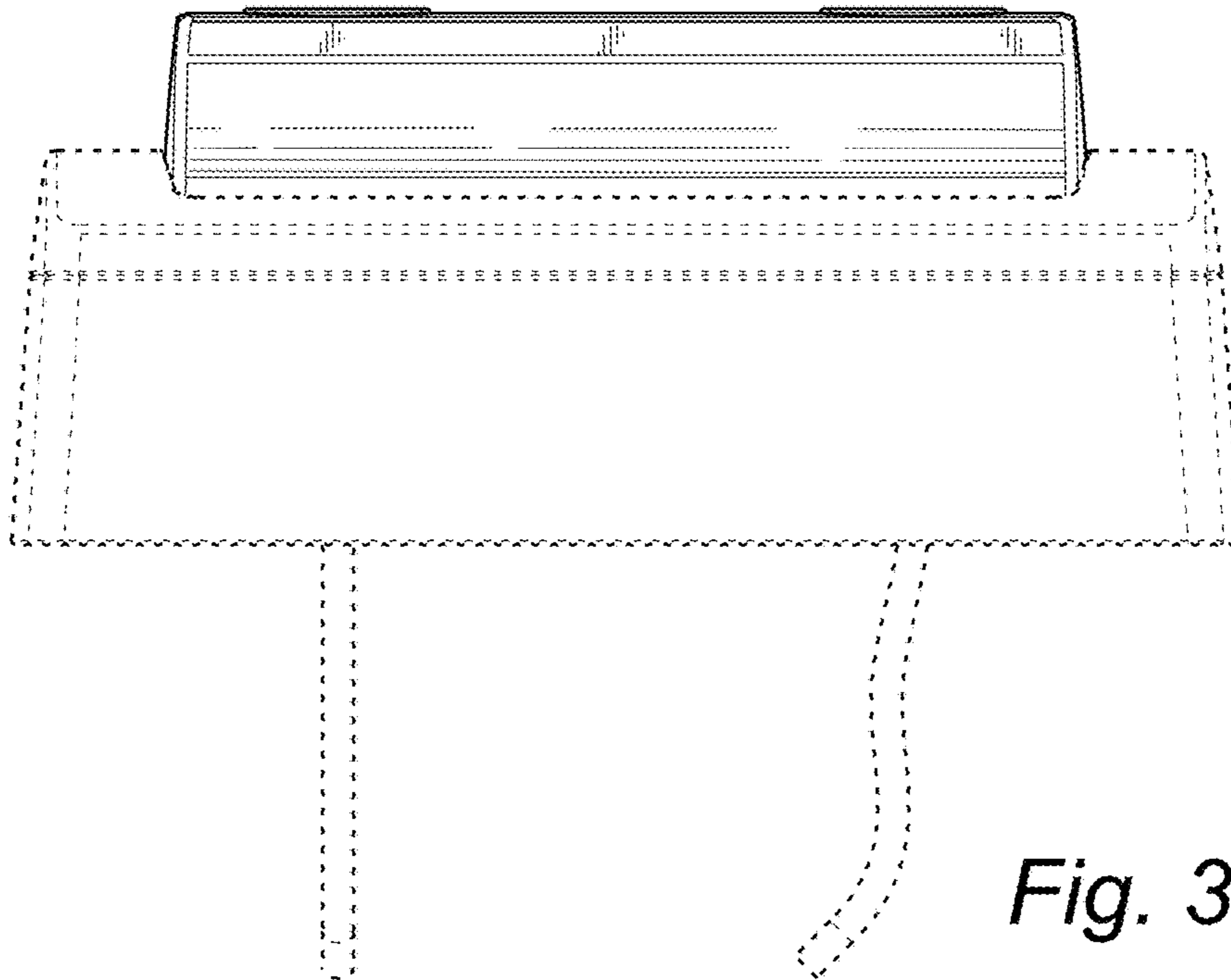


Fig. 3

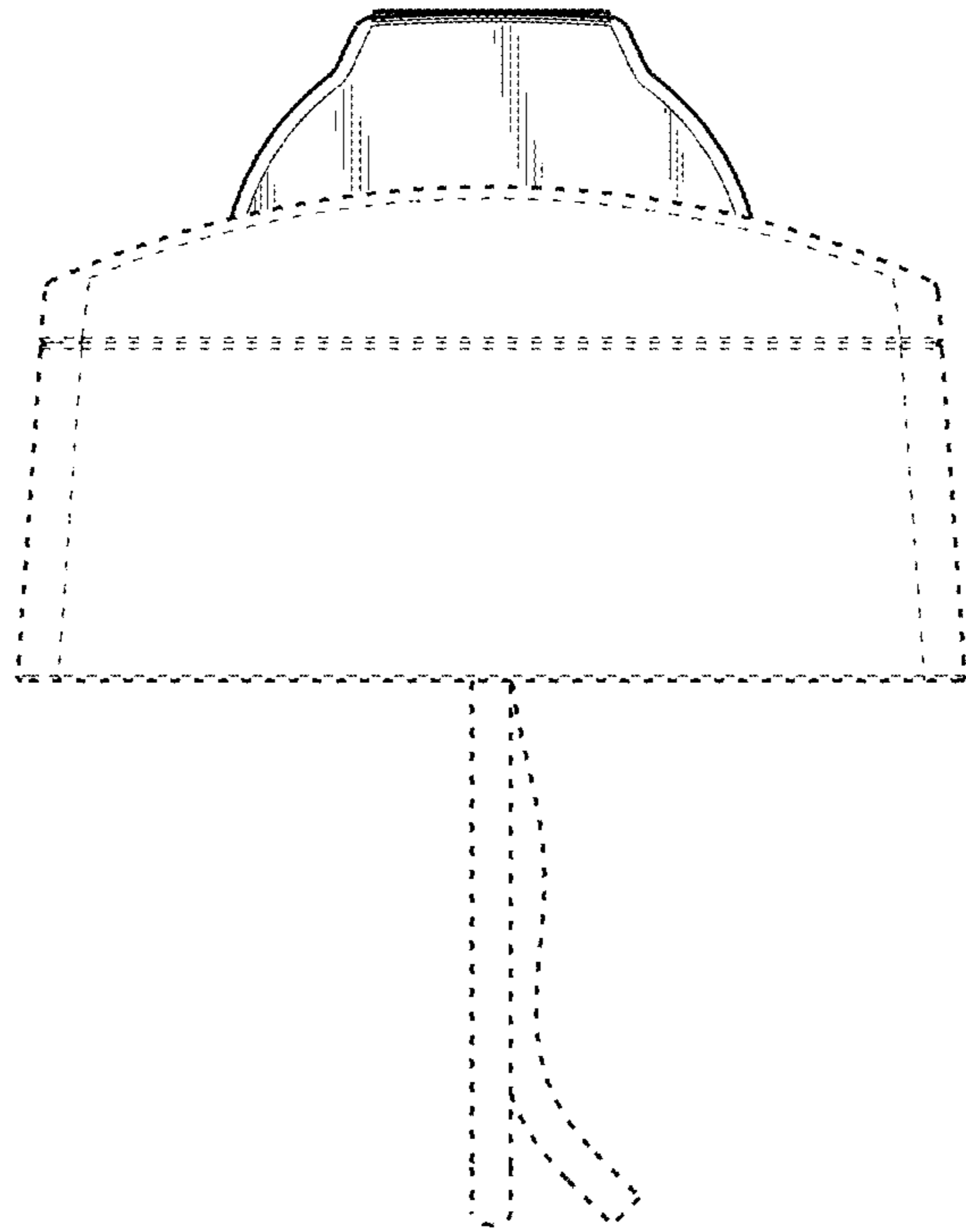


Fig. 4

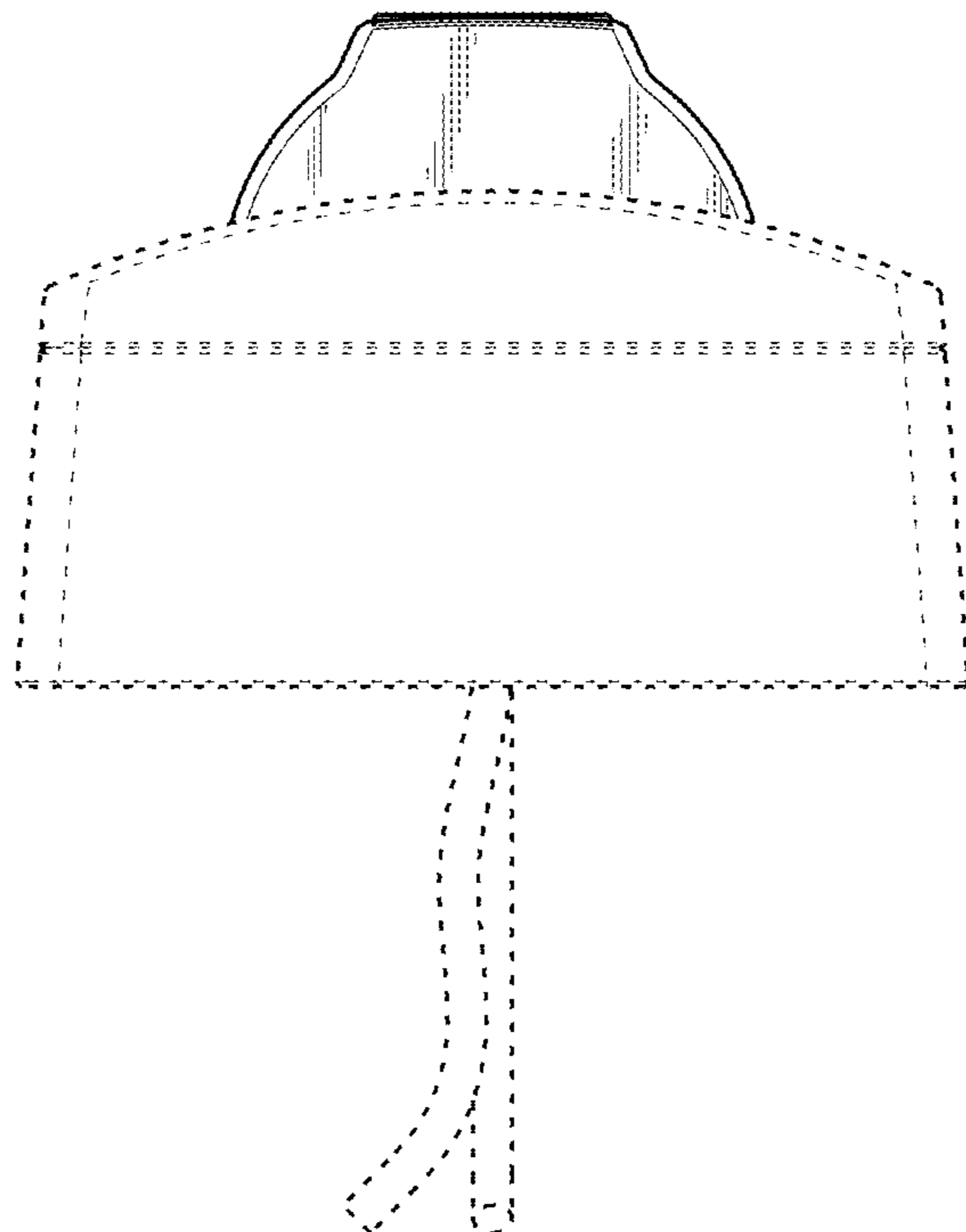


Fig. 5

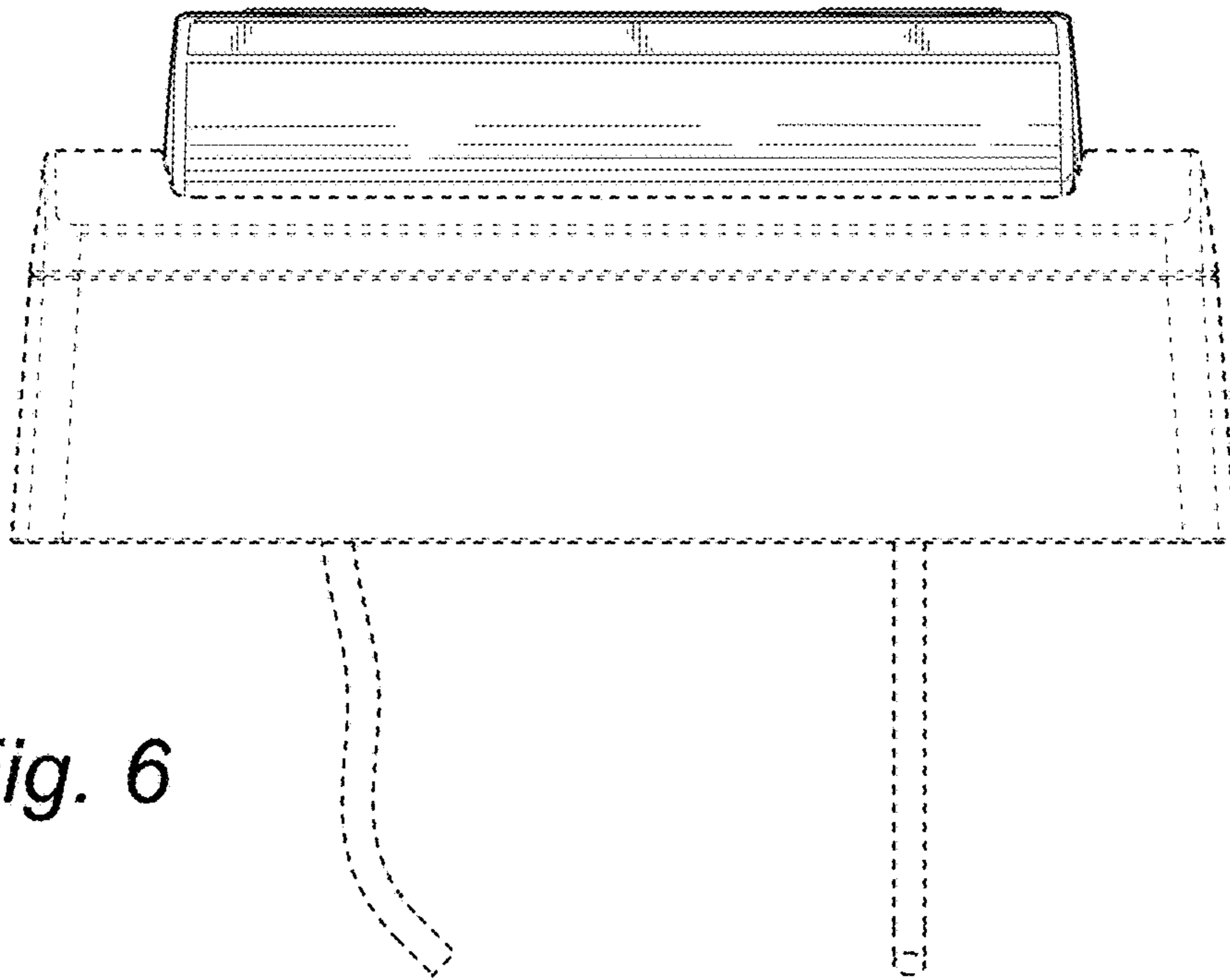


Fig. 6

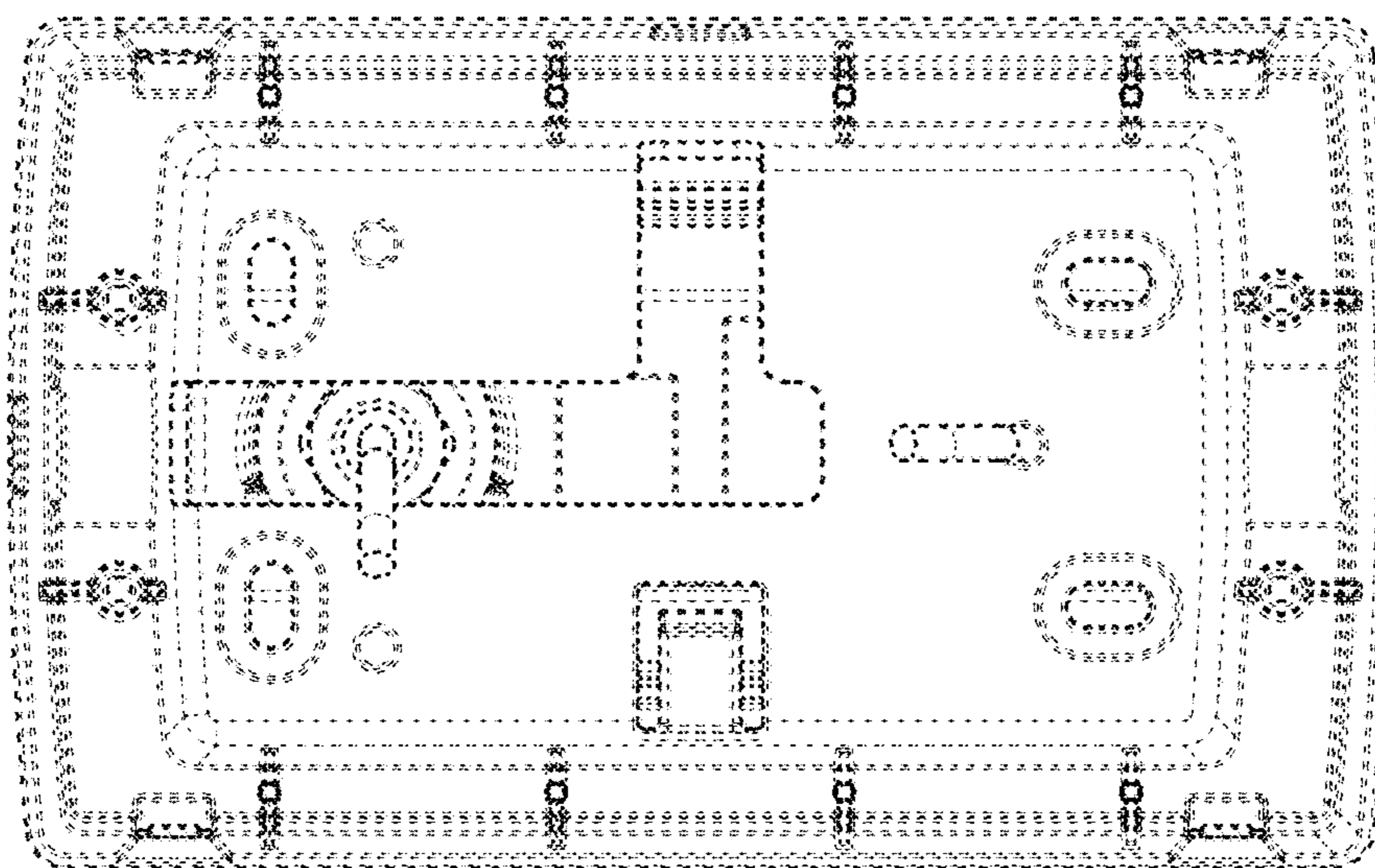


Fig. 7