



US00D831089S

(12) **United States Design Patent**
Laffon de Mazieres et al.

(10) **Patent No.:** **US D831,089 S**

(45) **Date of Patent:** **** Oct. 16, 2018**

(54) **CAMERA**

(71) Applicant: **Amazon Technologies, Inc.**, Seattle, WA (US)

(72) Inventors: **Emmanuel J M Laffon de Mazieres**, Burlingame, CA (US); **Christopher Green**, San Francisco, CA (US); **Giles David Matthew McWilliam**, San Francisco, CA (US)

(73) Assignee: **Amazon Technologies, Inc.**, Seattle, WA (US)

(**) Term: **15 Years**

(21) Appl. No.: **29/636,695**

(22) Filed: **Feb. 9, 2018**

Related U.S. Application Data

(62) Division of application No. 29/584,546, filed on Nov. 15, 2016, now Pat. No. Des. 813,289.

(51) **LOC (11) Cl.** **16-01**

(52) **U.S. Cl.**
USPC **D16/202; D16/219**

(58) **Field of Classification Search**
USPC D16/200, 202–205, 208, 211, 214, 218, D16/219, 221, 242; D14/447; 348/14.01–14.06, 143, 148, 373–376; 396/419, 427, 535, 539–541
CPC G03B 17/02; G03B 19/04; G03B 17/56; G03B 17/04; G03B 15/03; H04N 5/2251; H04N 5/2252; H04N 5/2253; H04N 5/2254; H04N 2007/145; H04N 7/141; H04N 7/142; H04N 7/147; H04N 7/148; H04N 7/15; H04N 7/152

See application file for complete search history.

(56) **References Cited**

U.S. PATENT DOCUMENTS

D721,754 S 1/2015 Chen
D729,296 S 5/2015 Shelton

D733,781 S 7/2015 Chen
D734,801 S * 7/2015 Yang D16/202
D740,871 S 10/2015 Moon et al.
D742,954 S * 11/2015 Simonelli D16/203
D743,475 S * 11/2015 Cover D16/203
D748,709 S 2/2016 Jeong

(Continued)

Primary Examiner — Ramzi S Almatrahi

(74) *Attorney, Agent, or Firm* — Lee & Hayes, PLLC

(57) **CLAIM**

The ornamental design for a camera, as shown and described.

DESCRIPTION

FIG. 1 is a top perspective view of a camera showing our new design.

FIG. 2 is a bottom perspective view of the camera.

FIG. 3 is a front view of the camera of FIG. 1.

FIG. 4 is a back view of the camera of FIG. 1.

FIG. 5 is a right-side view of the camera of FIG. 1.

FIG. 6 is a left-side view of the camera of FIG. 1.

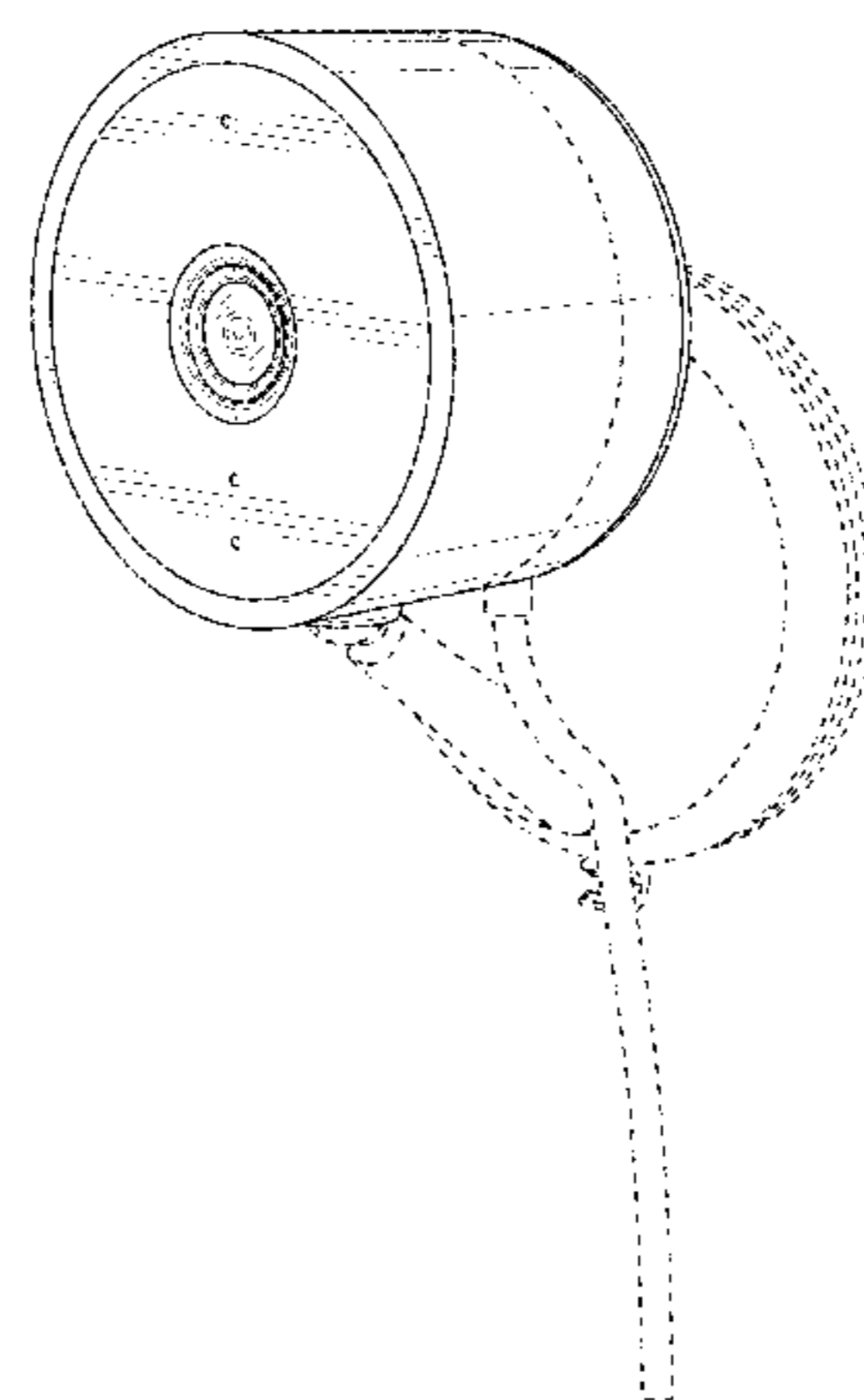
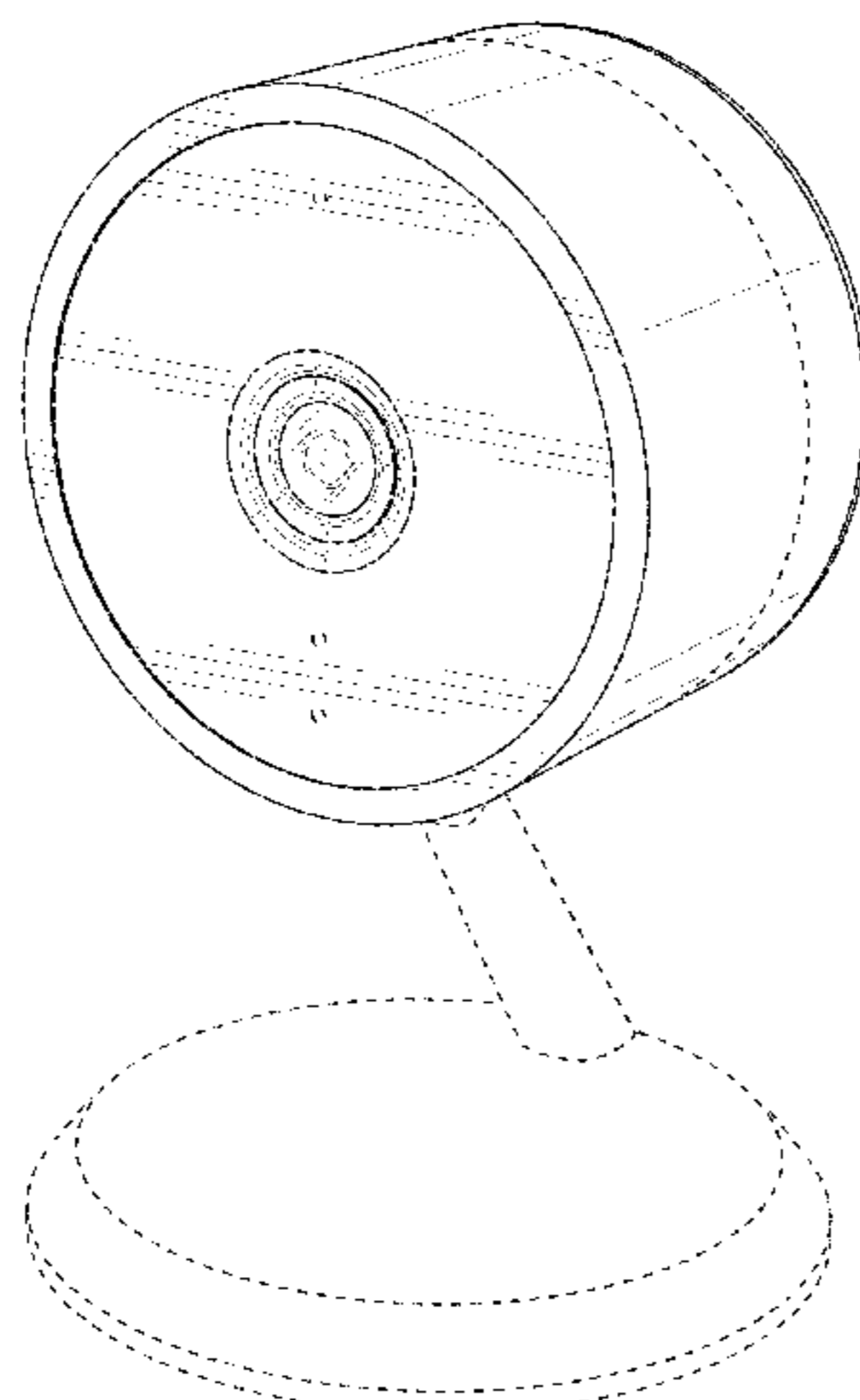
FIG. 7 is a top view of the camera of FIG. 1.

FIG. 8 is a bottom view of the camera of FIG. 1.

FIG. 9 is a top perspective view of the camera of FIG. 1, shown in condition of use with an attached cable and a wall mount disclosed in broken lines to illustrate an environment; and,

FIG. 10 is a top perspective view of the camera of FIG. 1, shown in condition of use with an attached cable and a wall mount disclosed in broken lines to illustrate an environment. The broken lines depict portions of the camera in which the design is embodied that form no part of the claimed design. The broken lines showing an attached cable and a wall mount in FIGS. 9 and 10 represent environmental structure and form no part of the claimed design.

1 Claim, 10 Drawing Sheets



(56)

References Cited

U.S. PATENT DOCUMENTS

D754,233	S	4/2016	Du et al.	
D760,310	S *	6/2016	Pacurariu	D16/202
D761,340	S	7/2016	Pacurariu et al.	
D776,182	S *	1/2017	Lagerstedt	D16/218
D784,434	S	4/2017	Benedetti	
9,625,792	B2 *	4/2017	Kilgore	G03B 17/561
9,631,767	B2	4/2017	Kilgore et al.	
D785,693	S	5/2017	Kim	
D795,938	S	8/2017	Ravat et al.	
D796,569	S *	9/2017	Chang	D16/218
D798,360	S	9/2017	Jeong	
D802,647	S *	11/2017	Duffy	D16/219
D803,922	S *	11/2017	Chang	D16/203
D814,544	S *	4/2018	Moon	D16/203
D815,177	S *	4/2018	Jeong	D16/203
9,942,525	B2 *	4/2018	Duffy	H04N 7/183

* cited by examiner

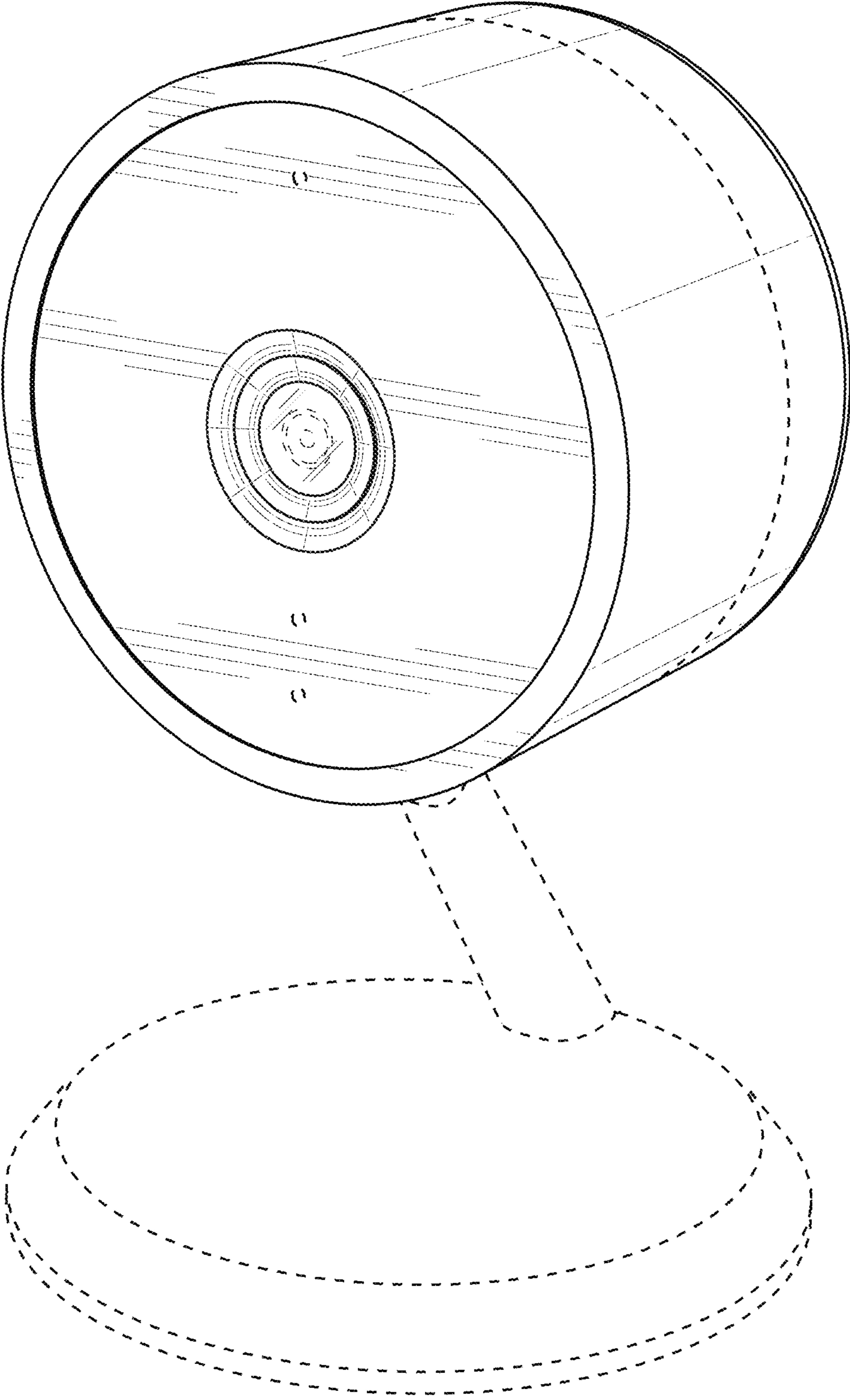


FIG. 1

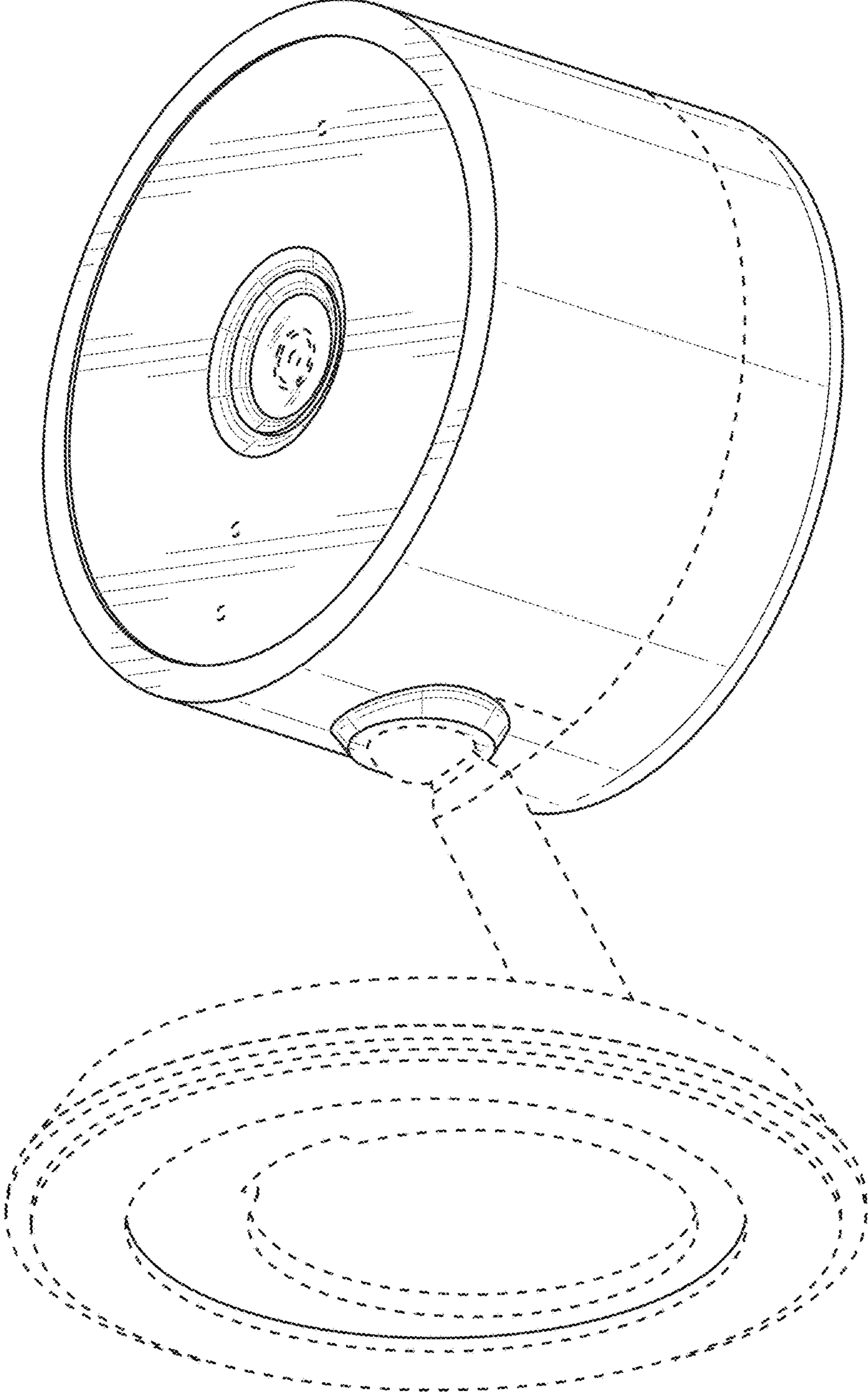


FIG. 2

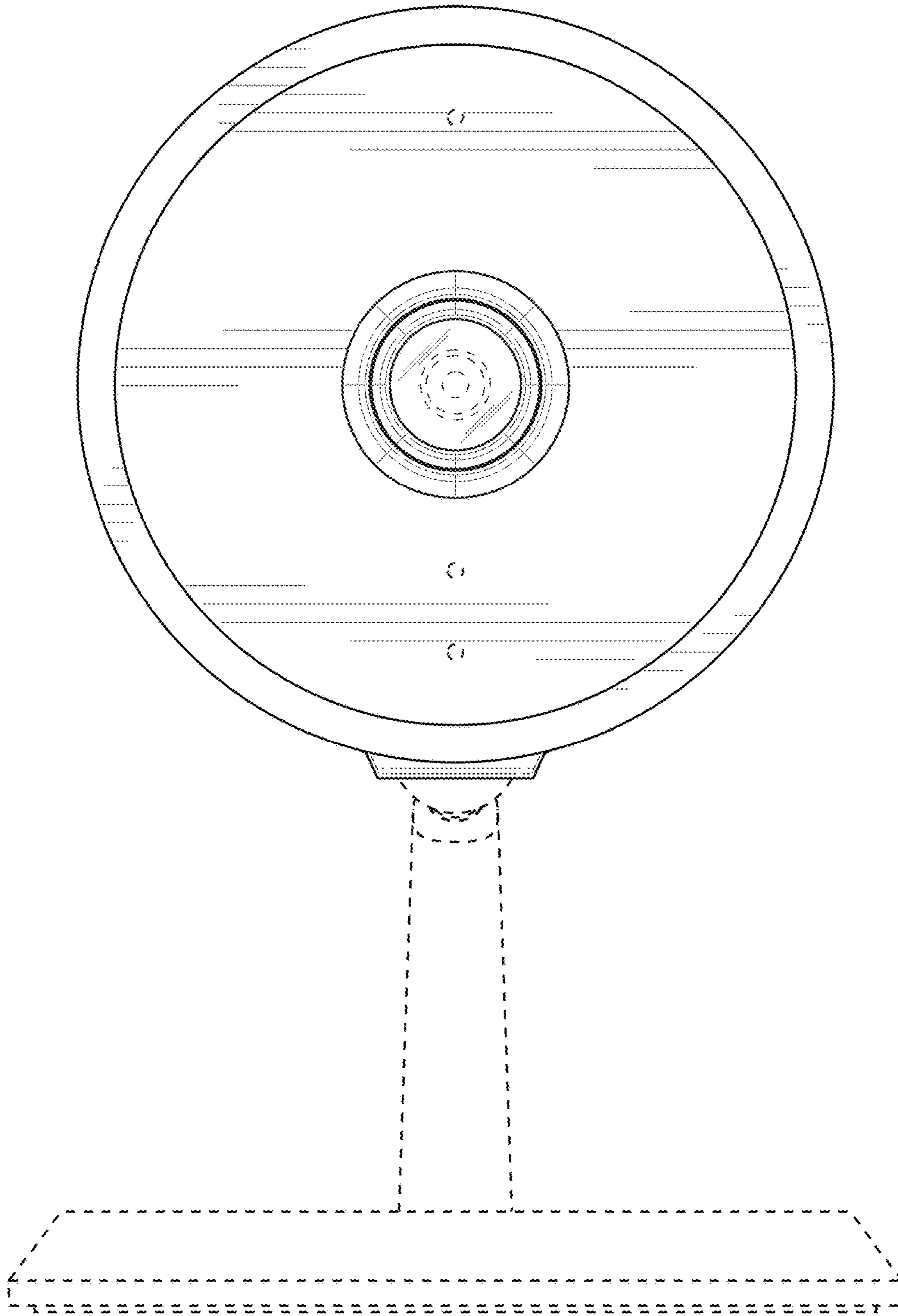


FIG. 3

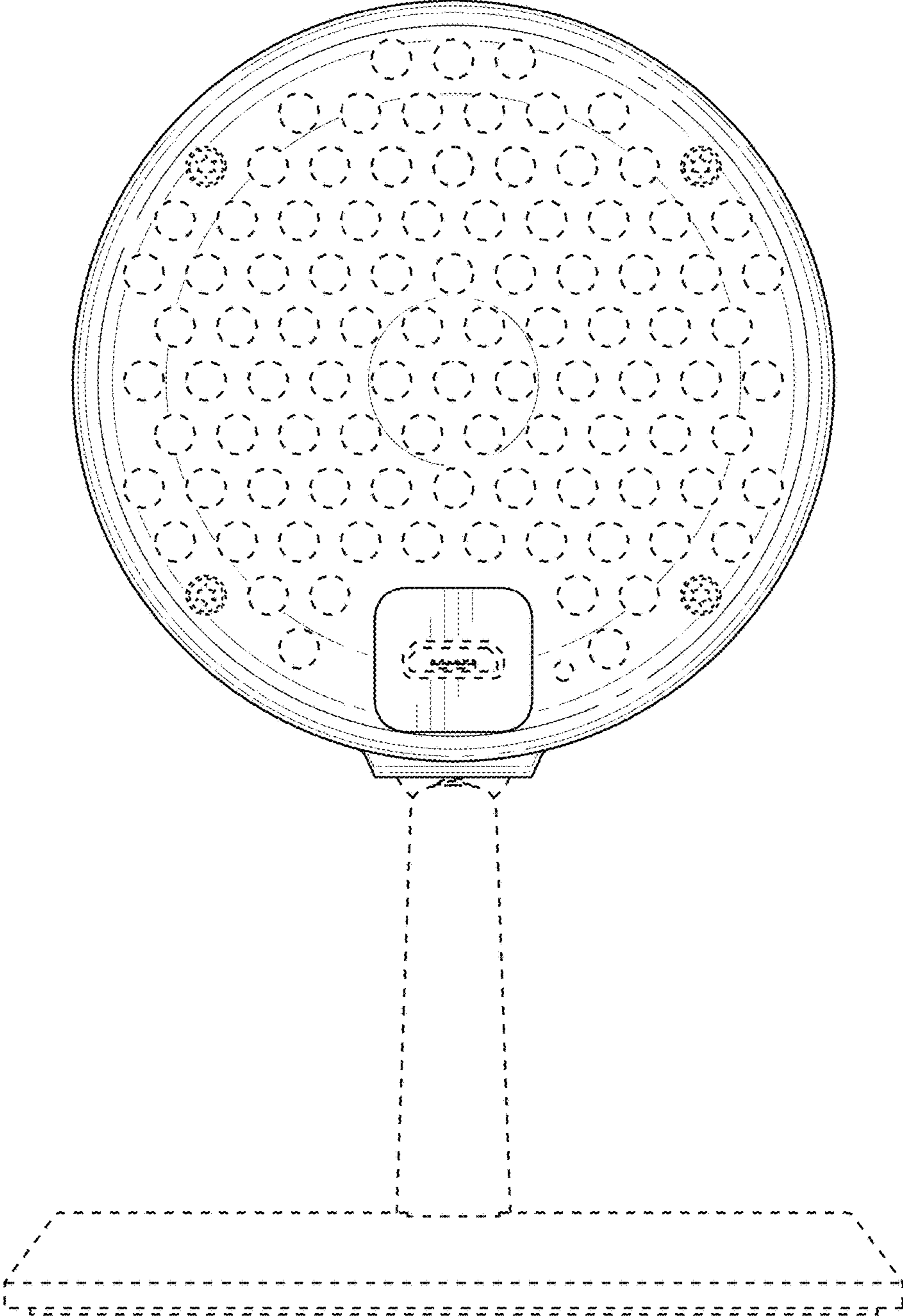


FIG. 4

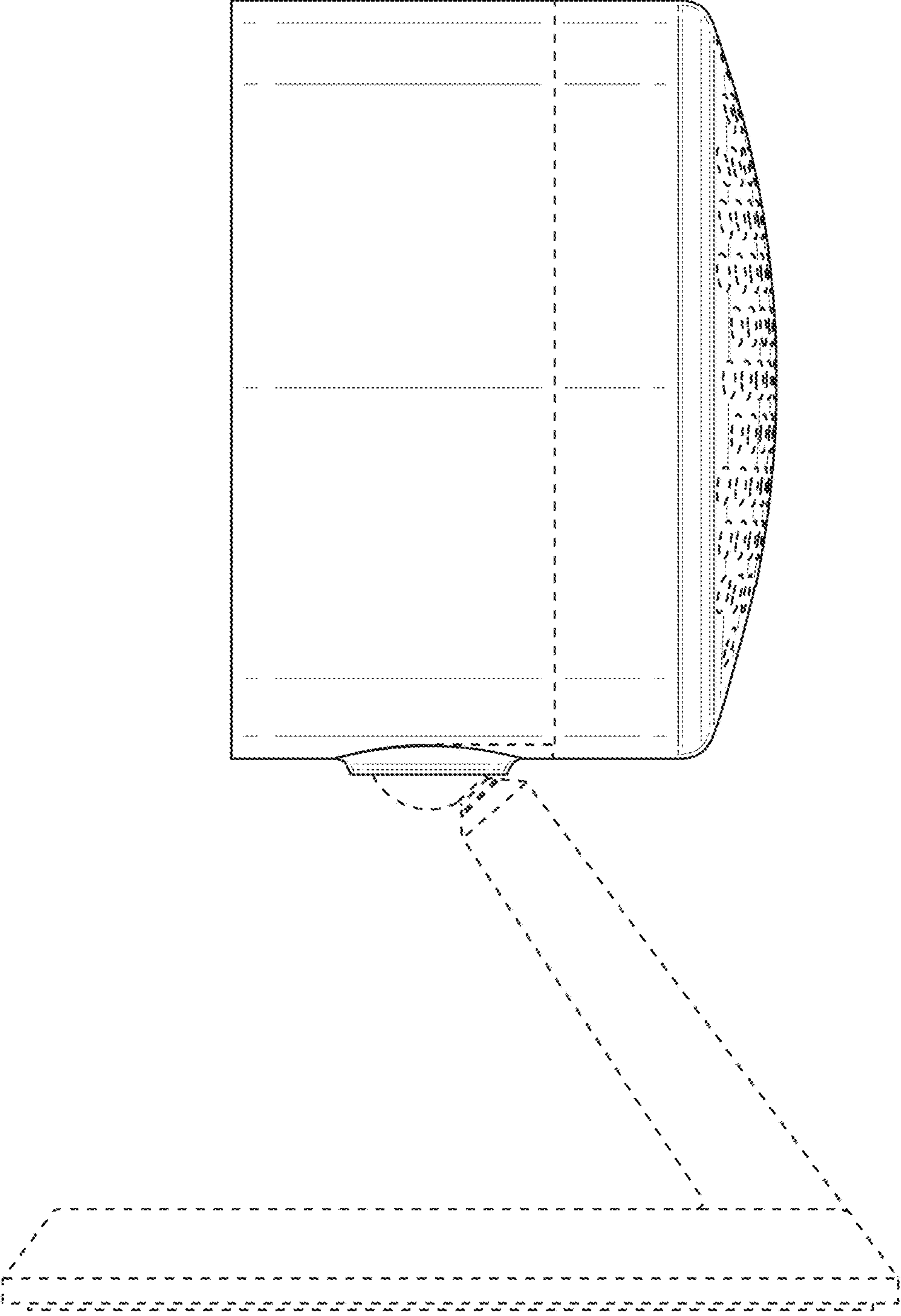


FIG. 5

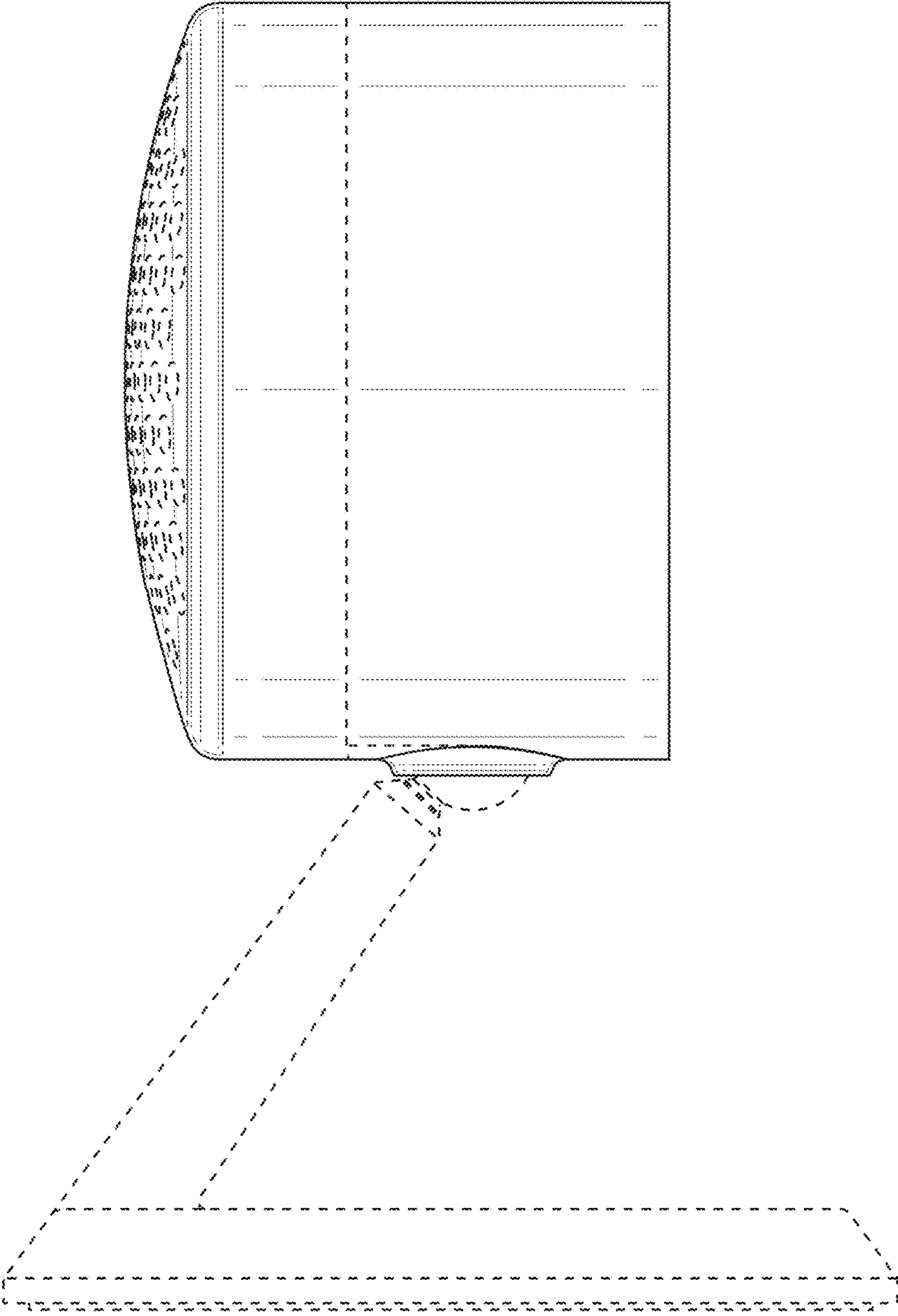


FIG. 6

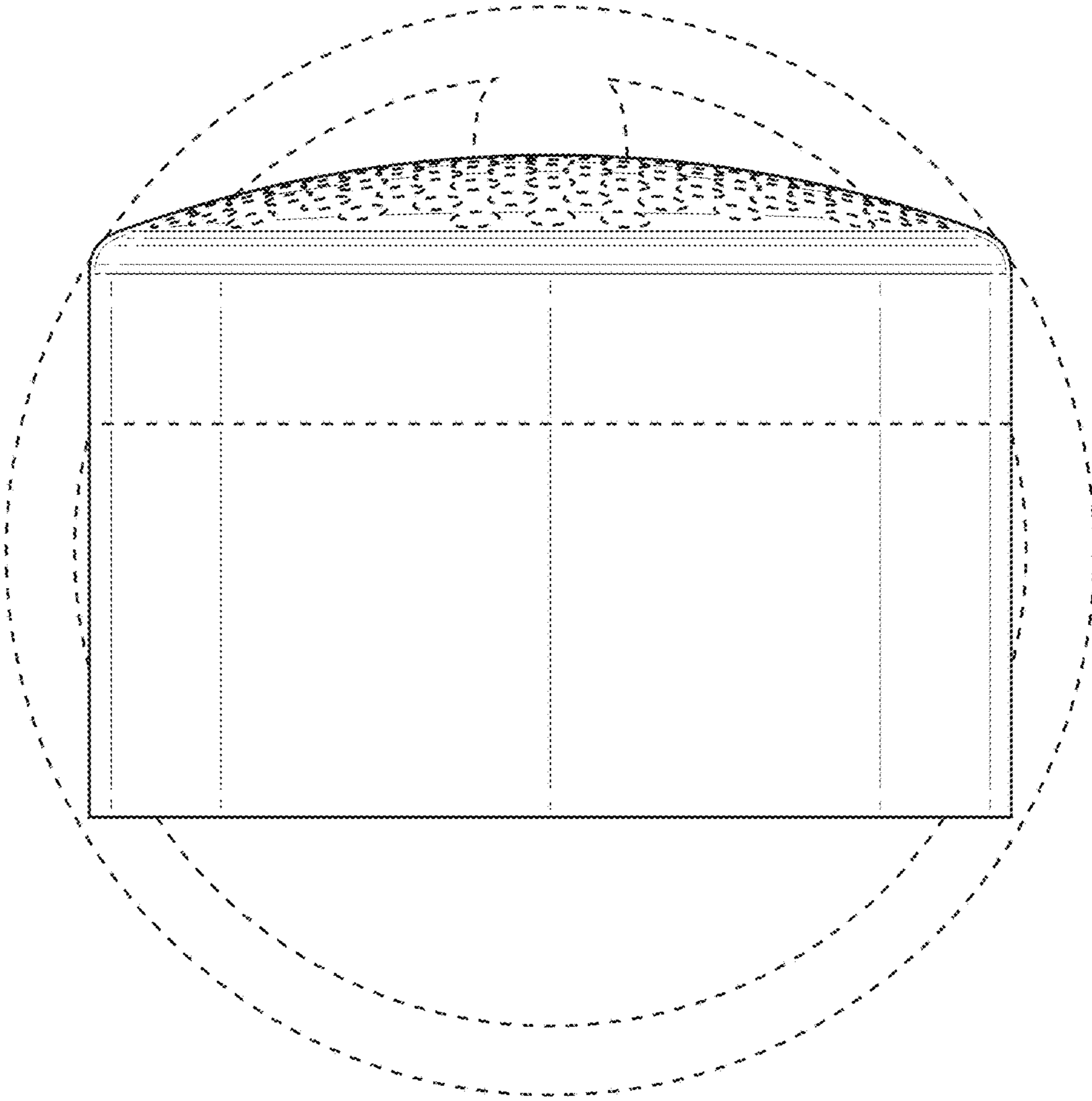


FIG. 7

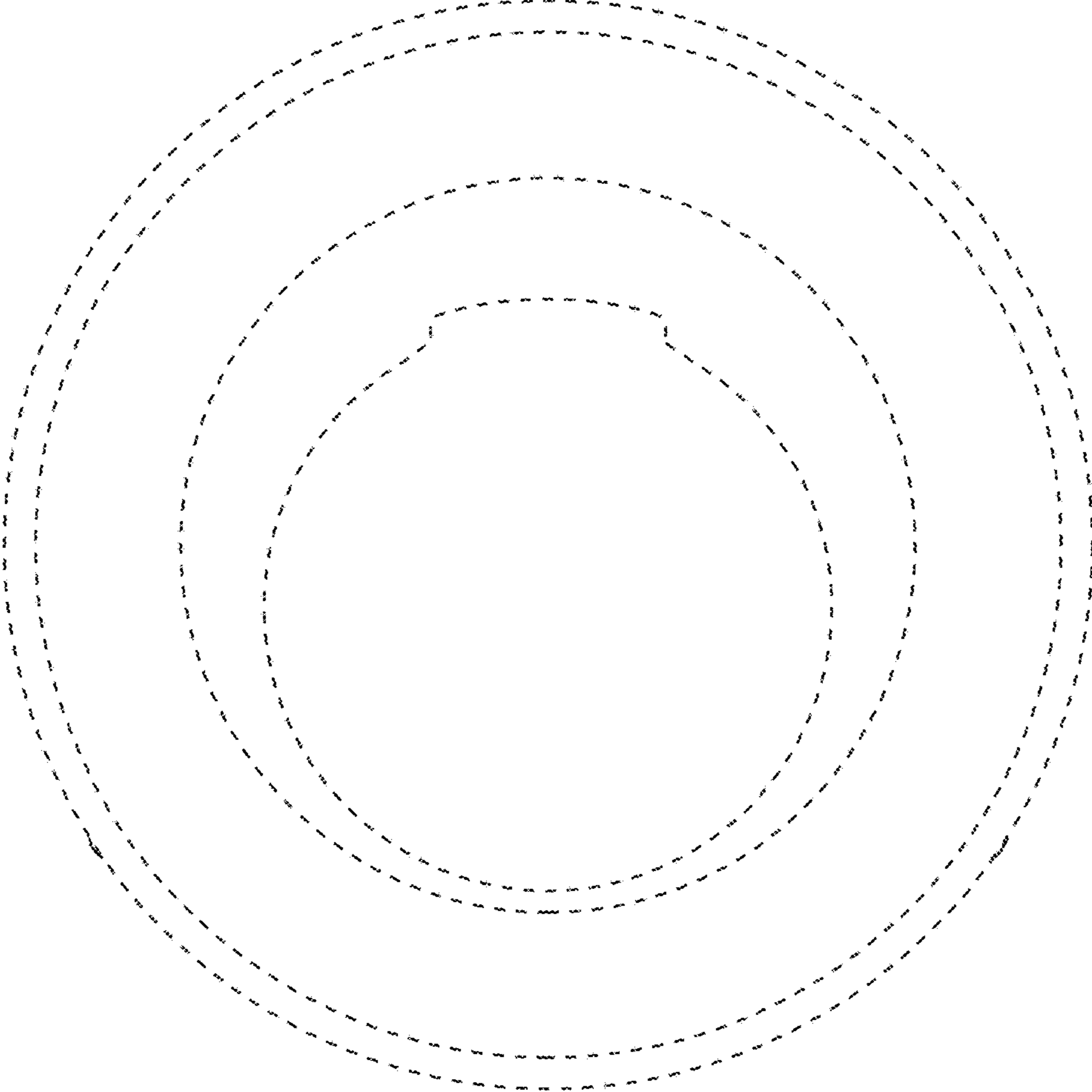


FIG. 8

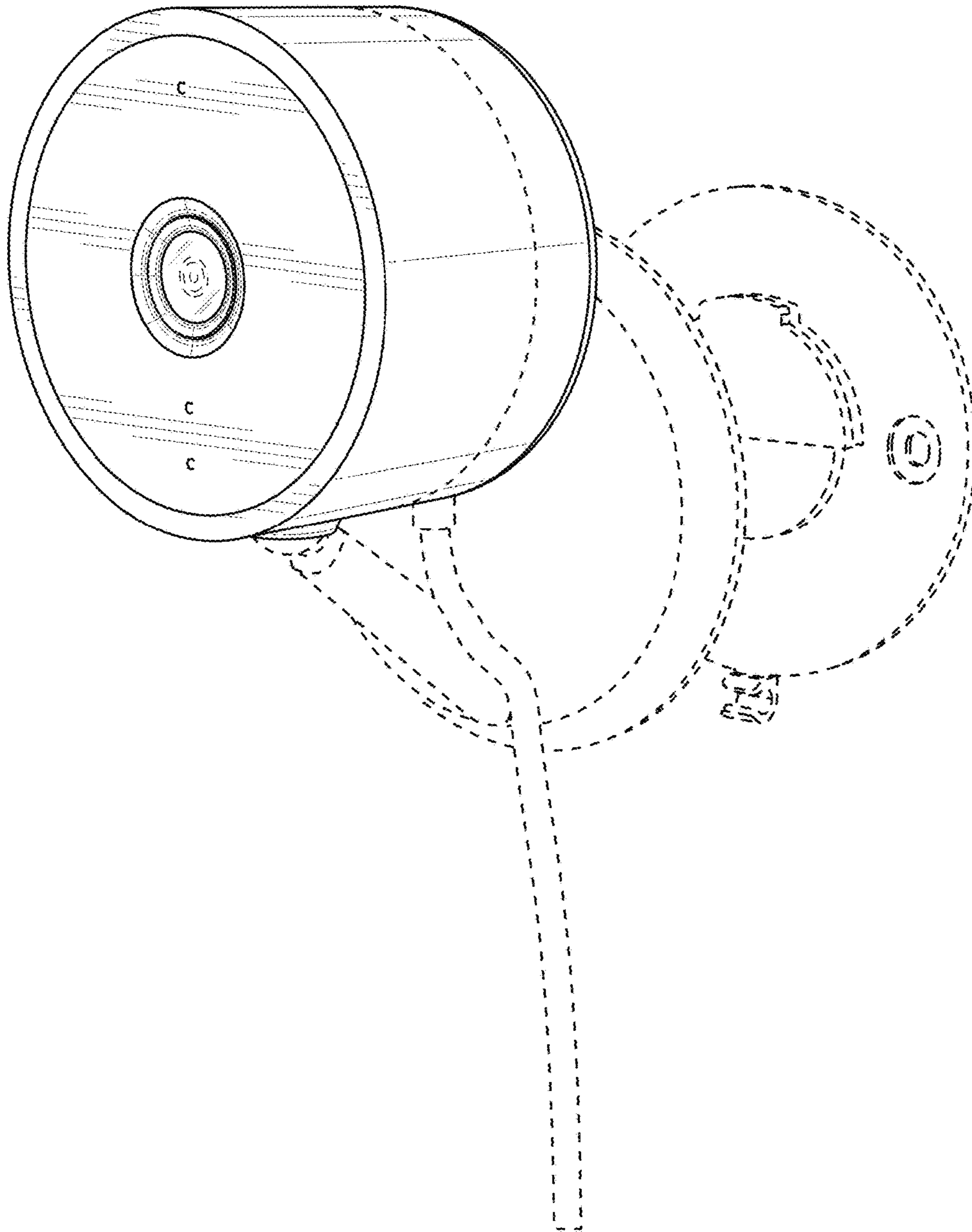


FIG. 9

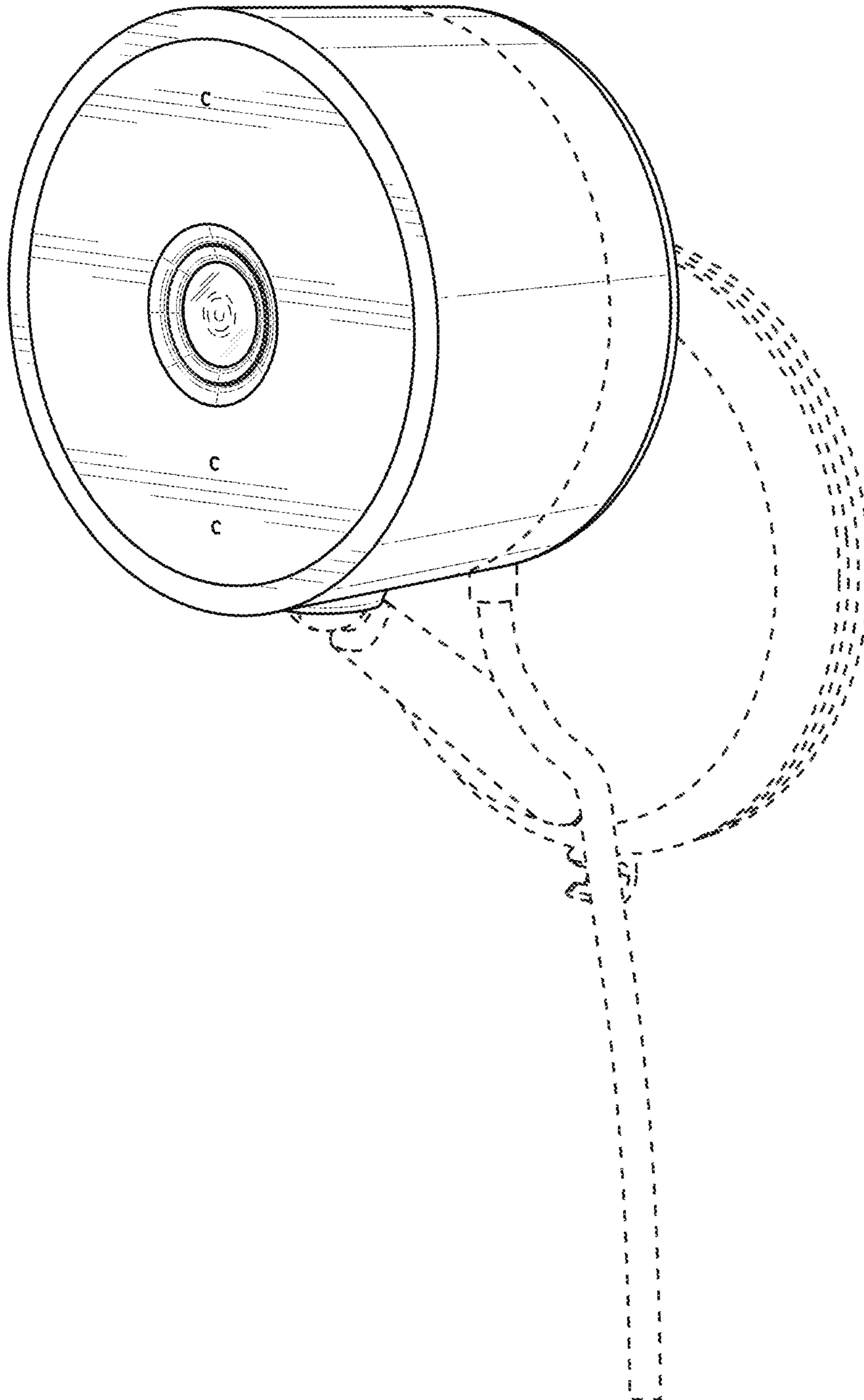


FIG. 10