



US00D831088S

(12) **United States Design Patent**
Hodgson

(10) **Patent No.:** **US D831,088 S**

(45) **Date of Patent:** **** Oct. 16, 2018**

(54) **MAGNIFIER**

(71) Applicant: **The Daylight Company (Holdings) Limited**, London (GB)

(72) Inventor: **Fraser Hodgson**, London (GB)

(73) Assignee: **The Daylight Company (Holdings) Limited** (GB)

(**) Term: **15 Years**

(21) Appl. No.: **29/570,375**

(22) Filed: **Jul. 7, 2016**

(30) **Foreign Application Priority Data**

Feb. 25, 2016 (EM) 003002252-0001

(51) **LOC (11) Cl.** **16-06**

(52) **U.S. Cl.**
USPC **D16/135**

(58) **Field of Classification Search**
USPC D16/130, 134, 135; D14/203.3–203.7,
D14/217, 238.1, 240, 248, 250–253;
D26/60–66
CPC G02B 27/026; H04J 11/00; H04J 13/00
See application file for complete search history.

(56) **References Cited**

U.S. PATENT DOCUMENTS

D382,577 S * 8/1997 Waldmann D16/135

D599,930 S * 9/2009 Huang D26/63
D621,980 S * 8/2010 Munger D16/135
D648,057 S * 11/2011 Copeland D26/65
D768,324 S * 10/2016 Waldmann D26/63
D776,736 S * 1/2017 Aquino D16/135
D804,072 S * 11/2017 Xu D26/63
D812,797 S * 3/2018 Meda D26/63

* cited by examiner

Primary Examiner — Mark Alan Goodwin

Assistant Examiner — Benjamin M Weeks

(74) *Attorney, Agent, or Firm* — Laubscher & Laubscher, P.C.

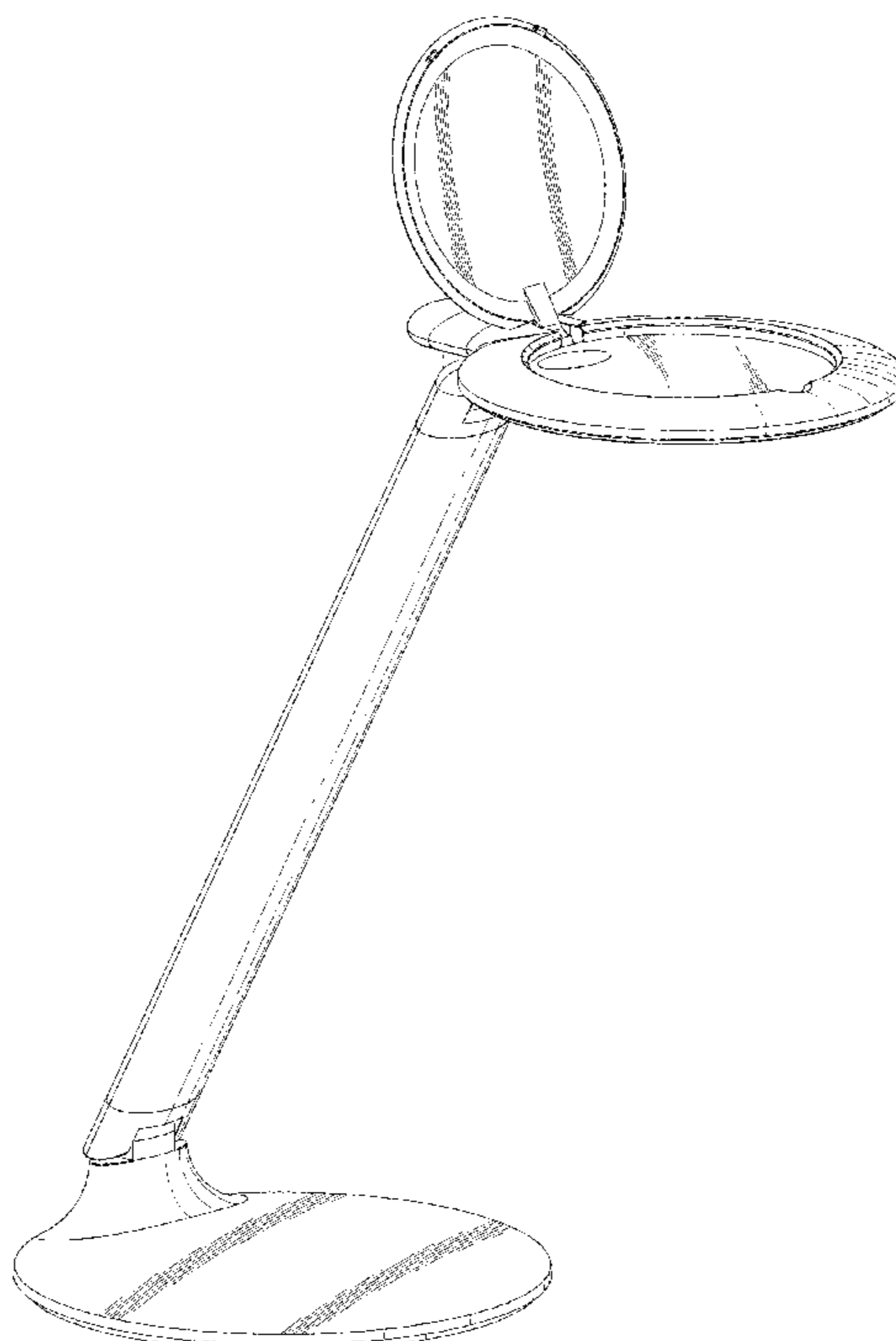
(57) **CLAIM**

The ornamental design for a magnifier, as shown.

DESCRIPTION

FIG. 1 is a front perspective view thereof;
FIG. 2 is a front elevation view thereof;
FIG. 3 is a rear elevation view thereof;
FIG. 4 is a right side elevation view thereof
FIG. 5 is a left side elevation view thereof;
FIG. 6 is a top elevation view thereof; and,
FIG. 7 is a bottom elevation view thereof.

1 Claim, 6 Drawing Sheets



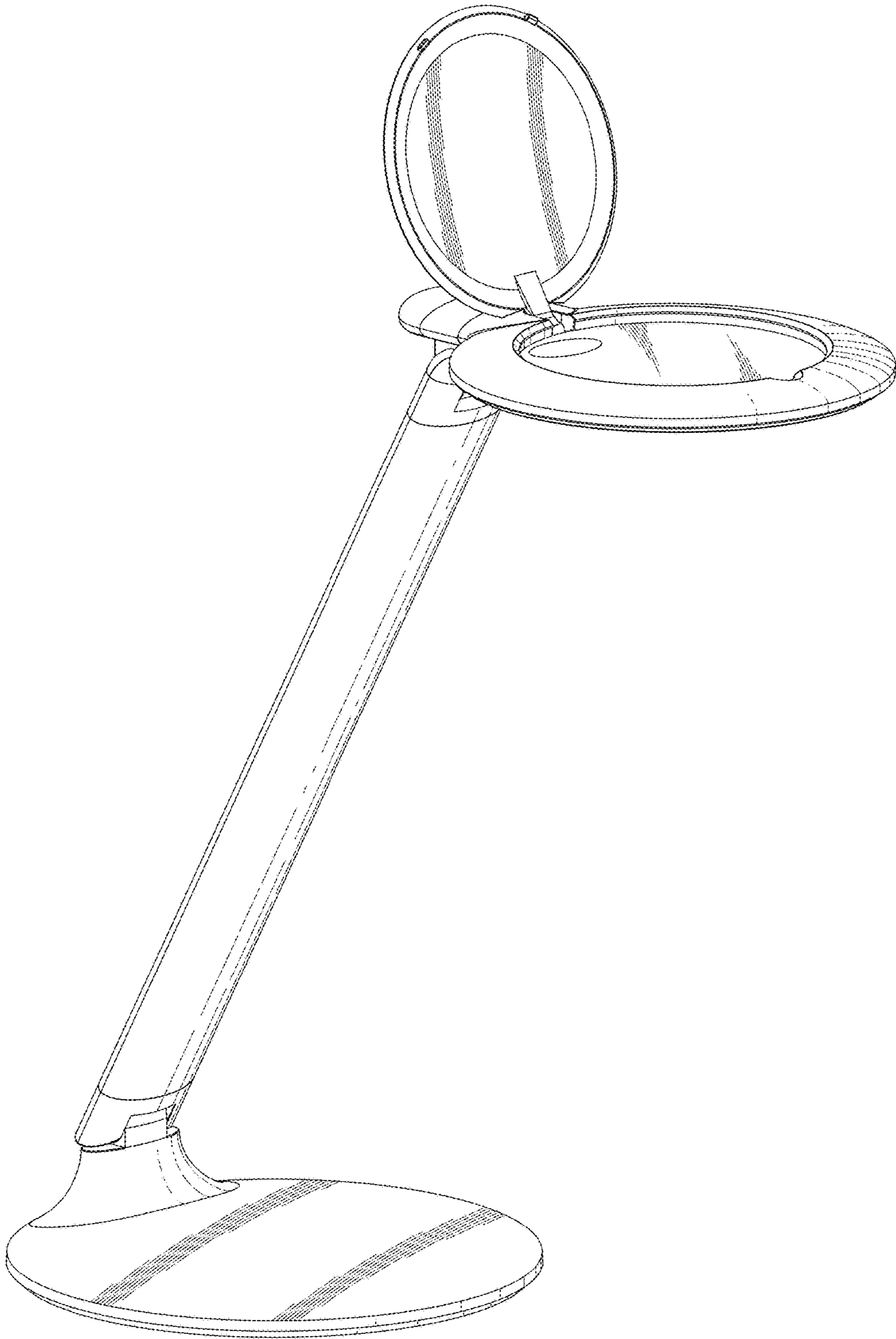


FIG. 1



FIG. 2

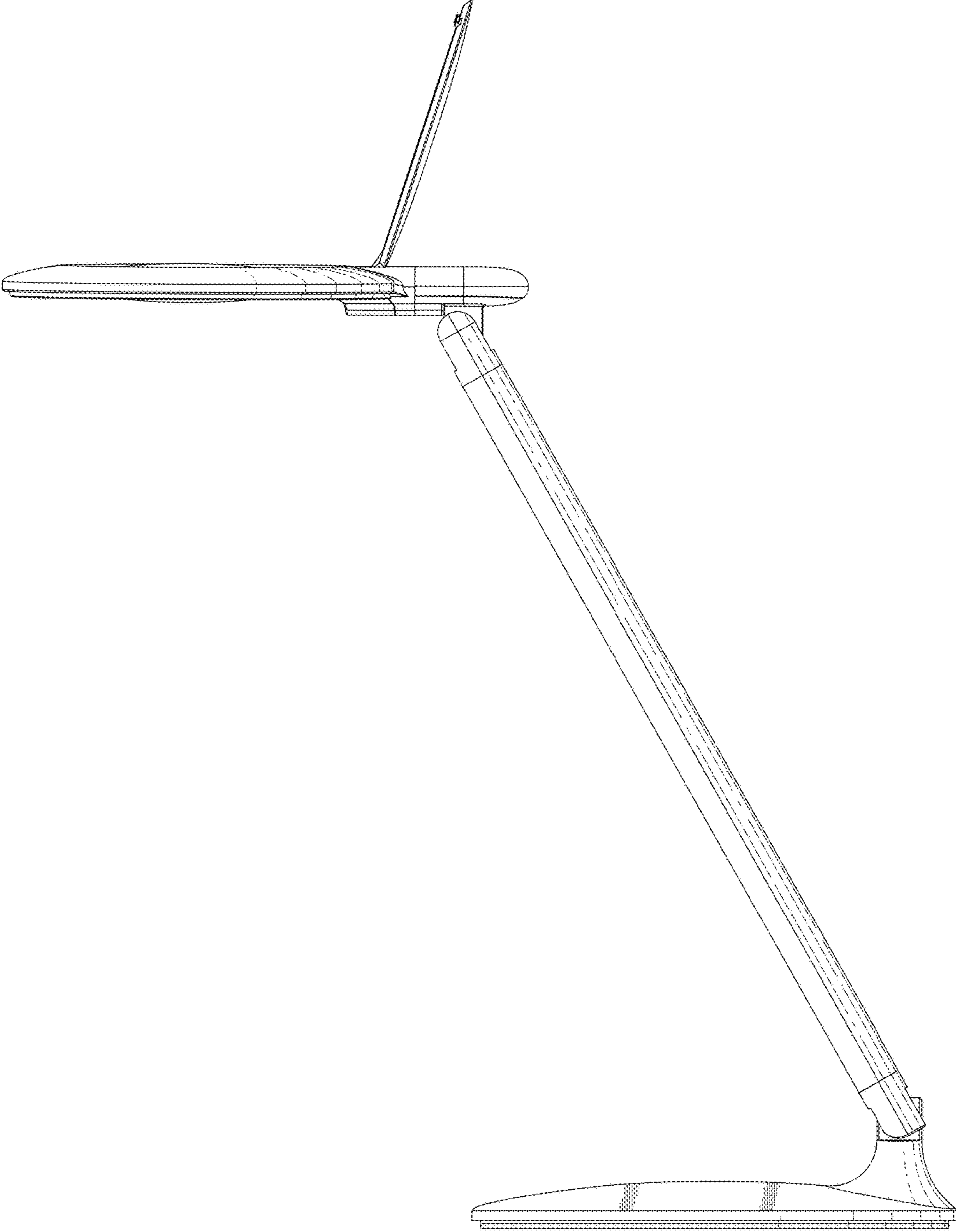


FIG. 3

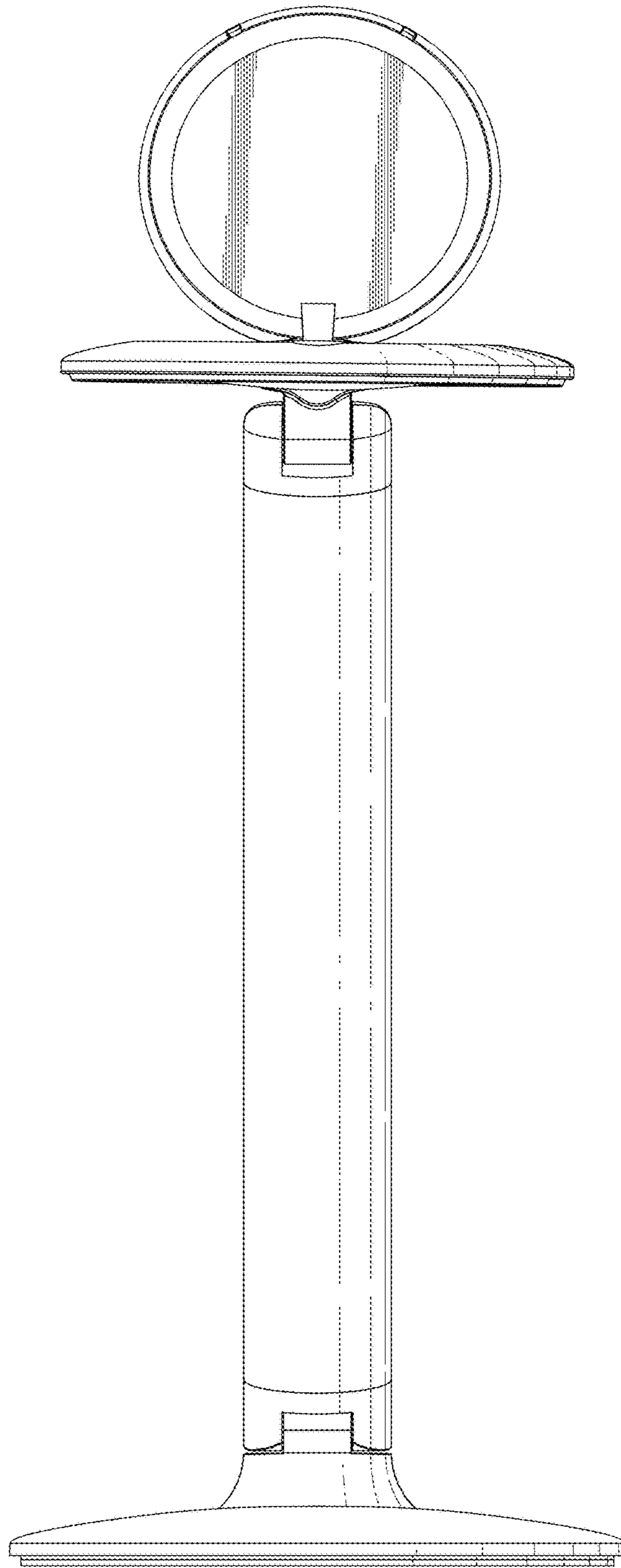


FIG. 4

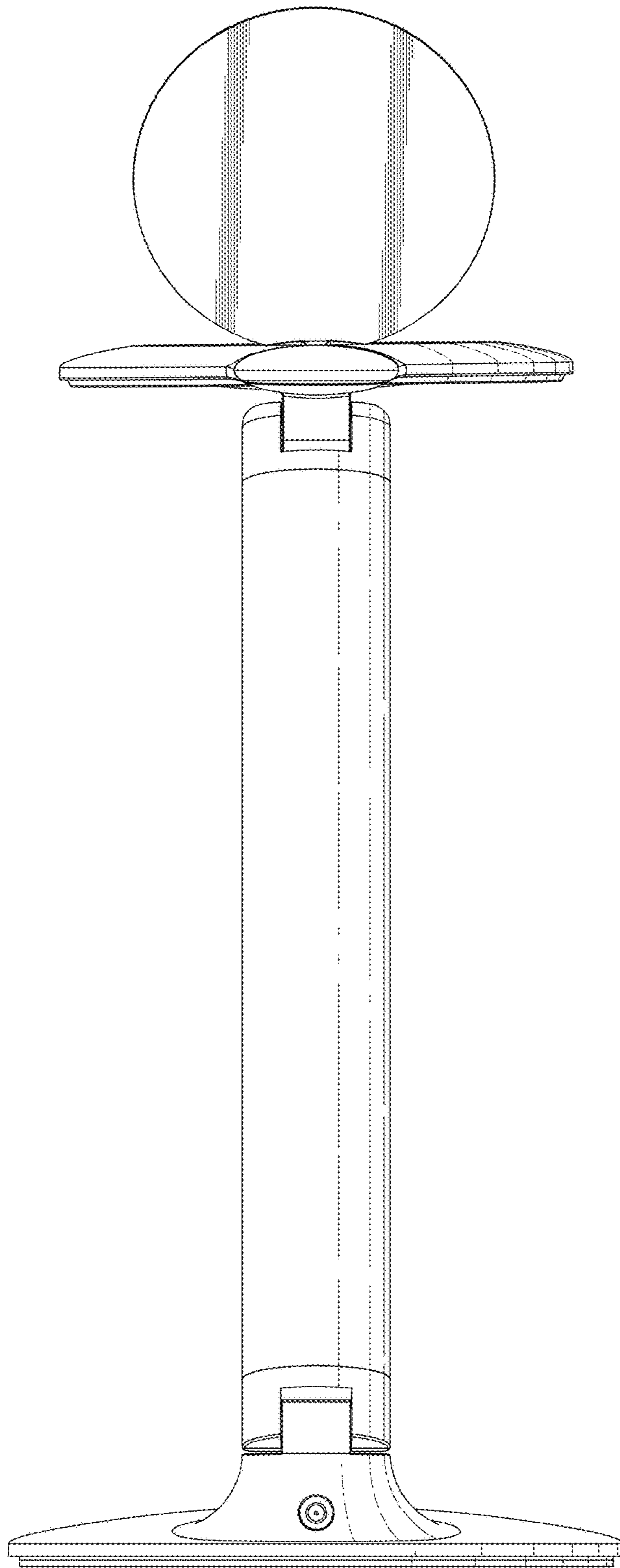


FIG. 5

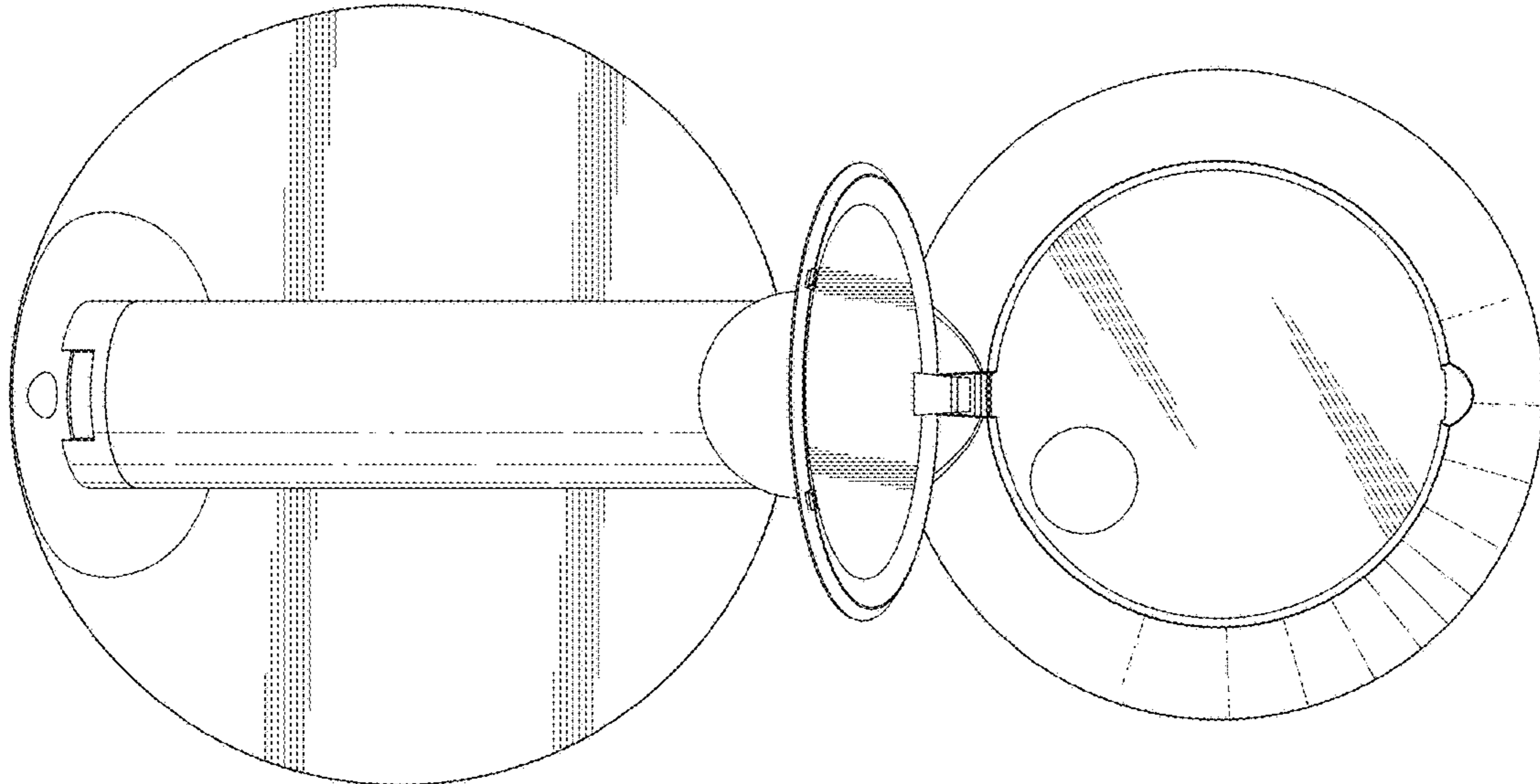


FIG. 6

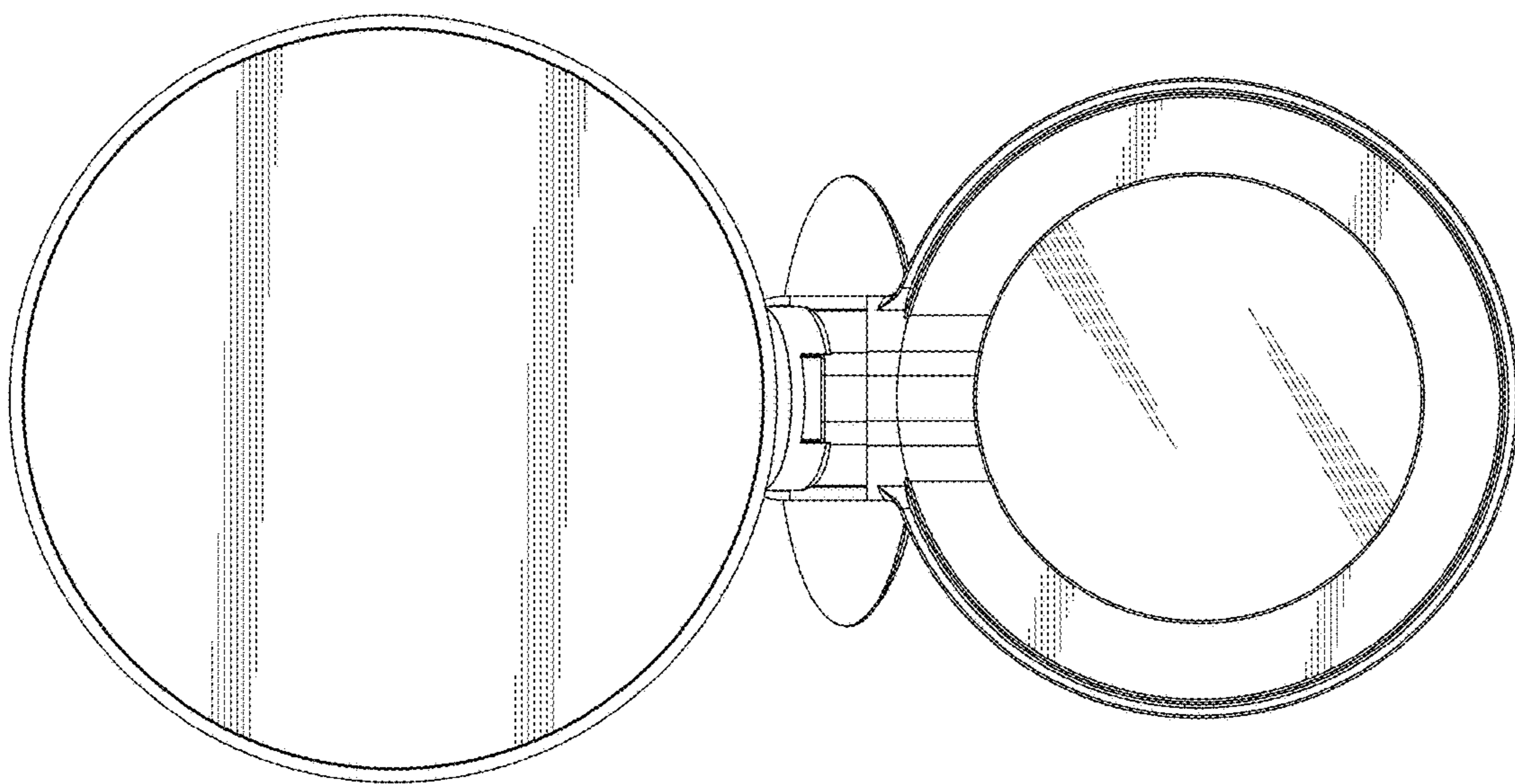


FIG. 7