



US00D831087S

(12) **United States Design Patent**
Morimoto et al.

(10) **Patent No.:** **US D831,087 S**
(45) **Date of Patent:** **** Oct. 16, 2018**

(54) **INDUSTRIAL ROBOT**

(71) Applicant: **DENSO WAVE INCORPORATED**,
Chita-gun, Aichi-Pref. (JP)

(72) Inventors: **Hideki Morimoto**, Chita-gun (JP);
Shinji Sugiyama, Chita-gun (JP)

(73) Assignee: **DENSO WAVE INCORPORATED**,
Aichi-pref (JP)

(**) Term: **15 Years**

(21) Appl. No.: **29/618,098**

(22) Filed: **Sep. 19, 2017**

(30) **Foreign Application Priority Data**

Mar. 23, 2017 (JP) 2017-5951
Mar. 23, 2017 (JP) 2017-5954
Mar. 23, 2017 (JP) 2017-5955
Mar. 23, 2017 (JP) 2017-5956

(51) **LOC (11) Cl.** **15-99**

(52) **U.S. Cl.**
USPC **D15/199**

(58) **Field of Classification Search**

USPC D15/199; D21/578-583, 621, 622;
D23/259, 262, 263
CPC B25J 9/161; B25J 9/1617; G05B
2219/33105; G05B 2219/36433; G05B
2219/39335; G05B 2219/39427; G05B
2219/40304

See application file for complete search history.

(56) **References Cited**

U.S. PATENT DOCUMENTS

D650,820 S * 12/2011 Long D15/199
D655,324 S * 3/2012 Wong D15/199
D670,319 S * 11/2012 Liu D15/199
D677,294 S * 3/2013 Long D15/199

(Continued)

Primary Examiner — Patricia A Palasik

(74) *Attorney, Agent, or Firm* — Oliff PLC

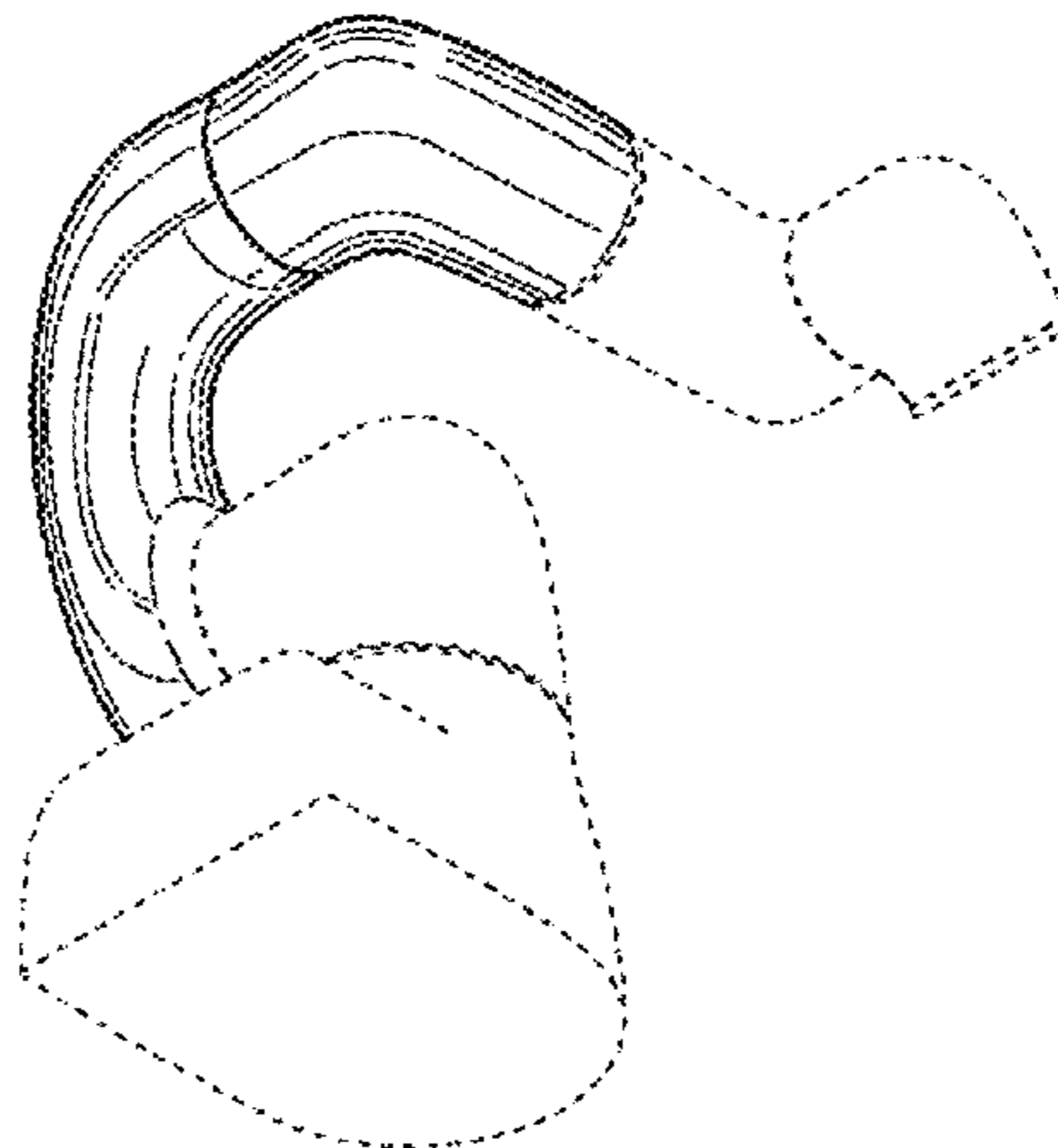
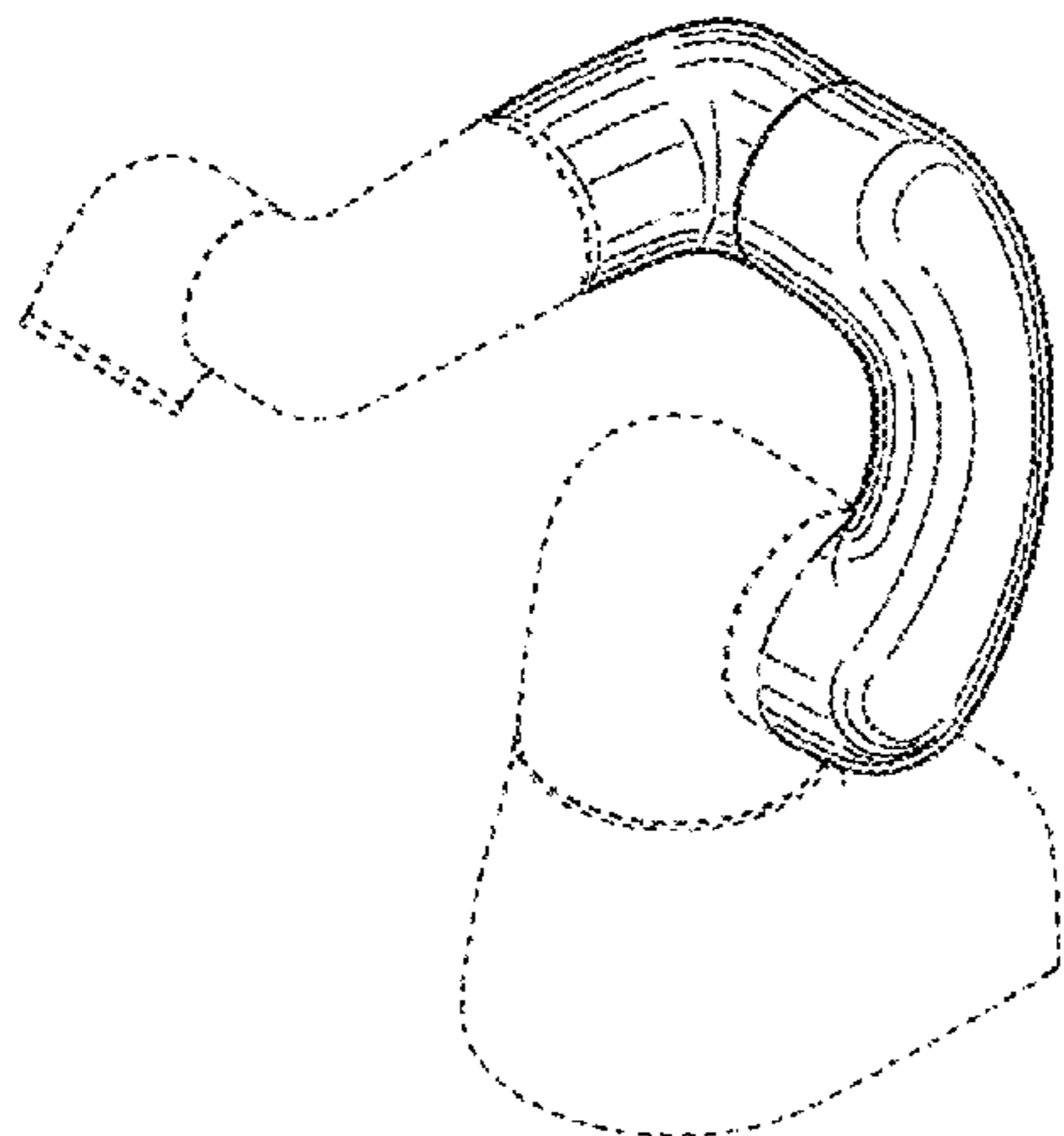
(57) **CLAIM**

The ornamental design for an industrial robot, as shown and described.

DESCRIPTION

FIG. 1 is a front elevational view of a first embodiment of the industrial robot;
FIG. 2 is a left-side elevational view thereof;
FIG. 3 is a right-side elevational view thereof;
FIG. 4 is a rear elevational view thereof;
FIG. 5 is a top plan view of thereof;
FIG. 6 is a bottom plan view thereof;
FIG. 7 is a first perspective view thereof;
FIG. 8 is a second perspective view thereof;
FIG. 9 is a front elevational view of a second embodiment of the industrial robot;
FIG. 10 is a left-side elevational view thereof;
FIG. 11 is a right-side elevational view thereof;
FIG. 12 is a rear elevational view thereof;
FIG. 13 is a top plan view of thereof;
FIG. 14 is a bottom plan view thereof;
FIG. 15 is a first perspective view thereof;
FIG. 16 is a second perspective thereof;
FIG. 17 is a front elevational view of a third embodiment of the industrial robot;
FIG. 18 is a left-side elevational view thereof;
FIG. 19 is a right-side elevational view thereof;
FIG. 20 is a rear elevational view thereof;
FIG. 21 is a top plan view thereof;
FIG. 22 is a bottom plan view thereof;
FIG. 23 is a first perspective view thereof; and,
FIG. 24 is a second perspective view thereof.
The dot-dash chain lines depict boundaries of the claimed subject matter, and thus form no part of the claimed design. The broken lines in the drawings of the industrial robot depict unclaimed environmental subject matter.

1 Claim, 12 Drawing Sheets



(56)

References Cited

U.S. PATENT DOCUMENTS

D692,041 S * 10/2013 Selic D15/199
D716,357 S * 10/2014 Gombert D15/199
D761,339 S * 7/2016 White, Jr. D15/199
D776,178 S * 1/2017 Ries D15/199
D802,041 S * 11/2017 He D15/199
2010/0131099 A1* 5/2010 Birkenbach G05B 19/402
700/254
2011/0107866 A1* 5/2011 Oka B25J 9/0084
74/490.03
2013/0116821 A1* 5/2013 Joly B25J 9/161
700/254
2013/0125696 A1* 5/2013 Long B25J 18/04
74/490.05
2015/0127151 A1* 5/2015 Riedel B25J 9/1643
700/250
2016/0016320 A1* 1/2016 Rothfuss A61B 19/2203
74/490.03
2017/0129106 A1* 5/2017 Schautt B25J 9/1692
2017/0266807 A1* 9/2017 Gombert B25J 9/161
2018/0065245 A1* 3/2018 Kubota G05B 19/05

* cited by examiner

FIG. 1

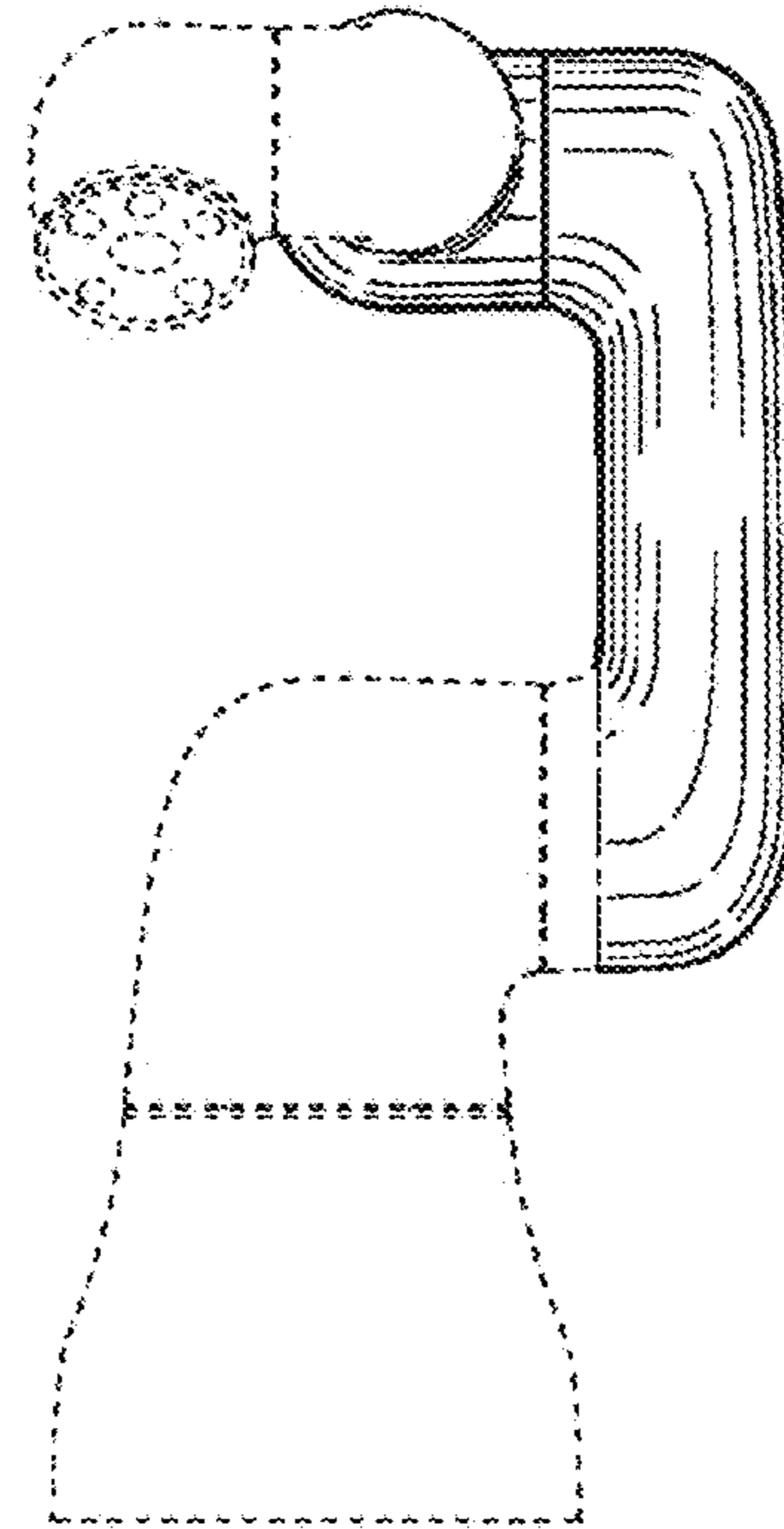


FIG. 2

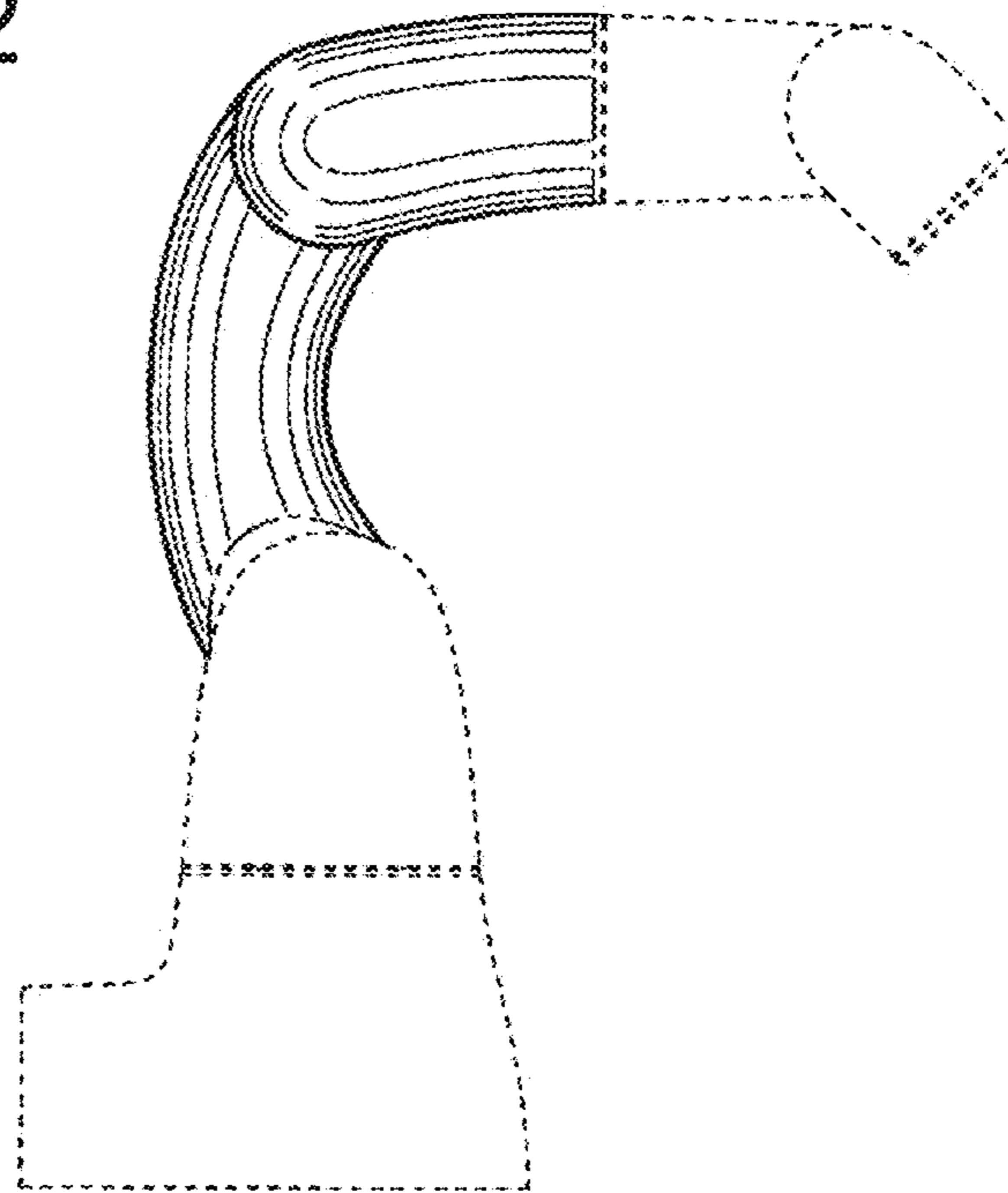


FIG. 3

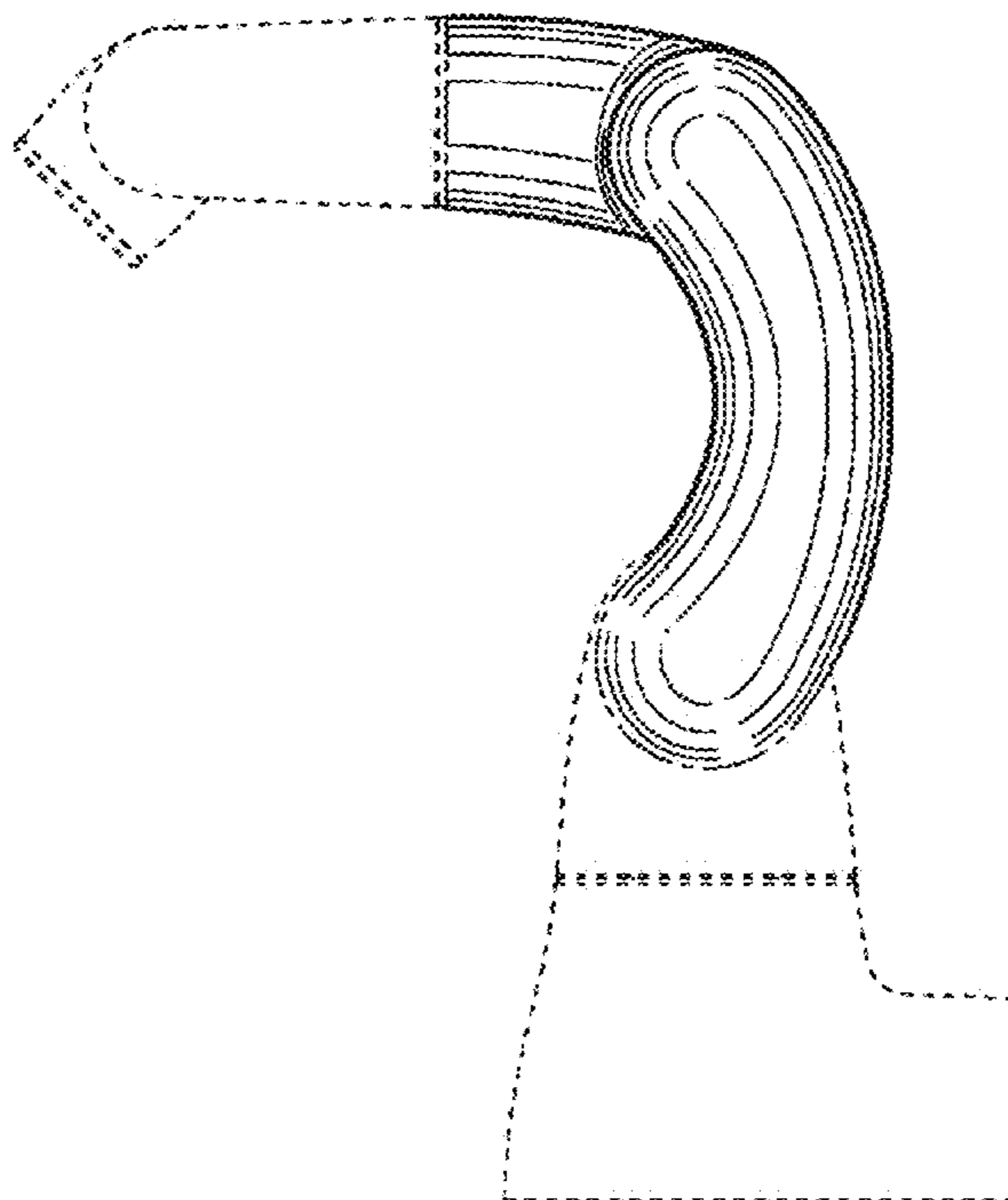


FIG. 4

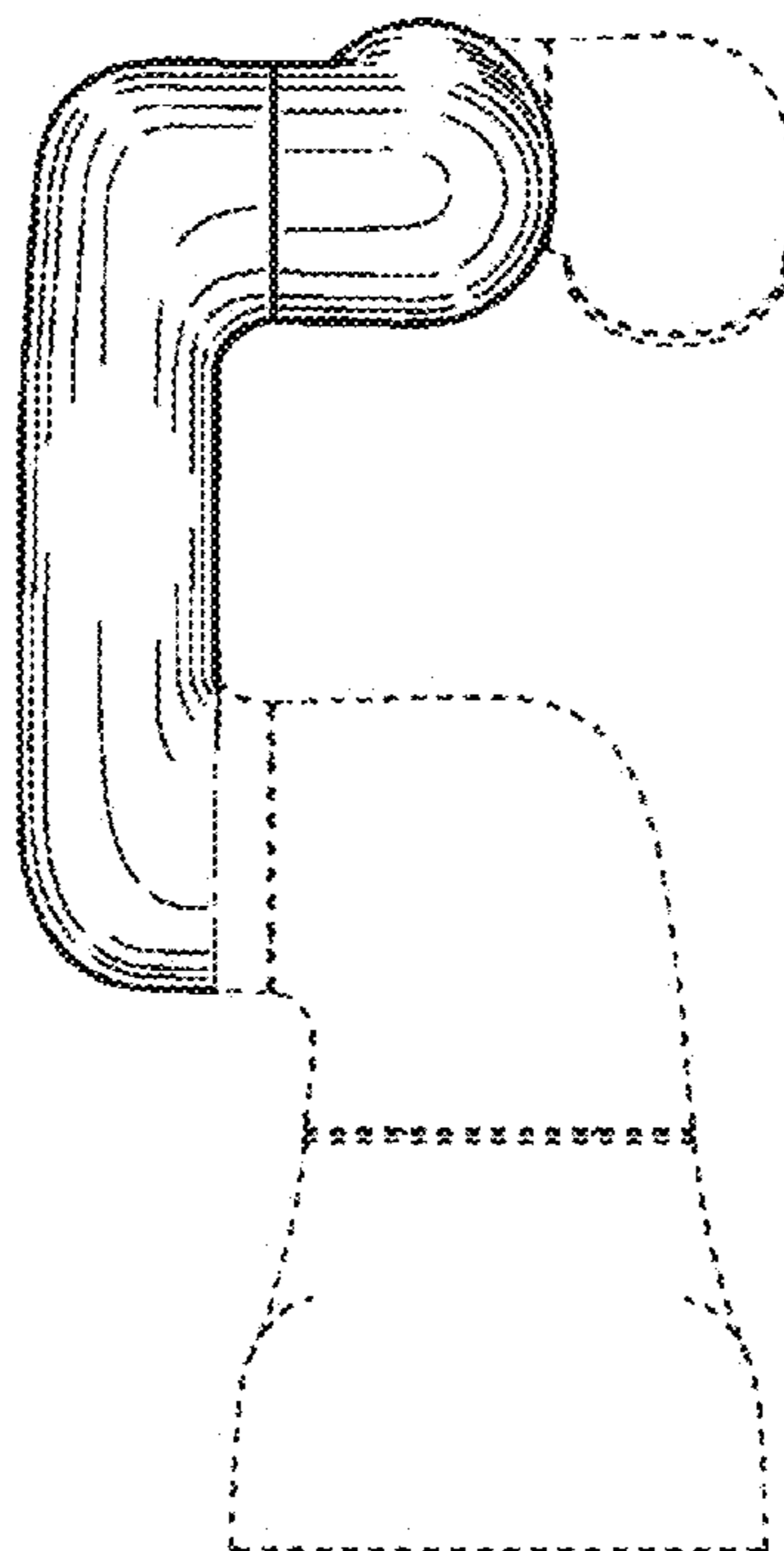


FIG. 5

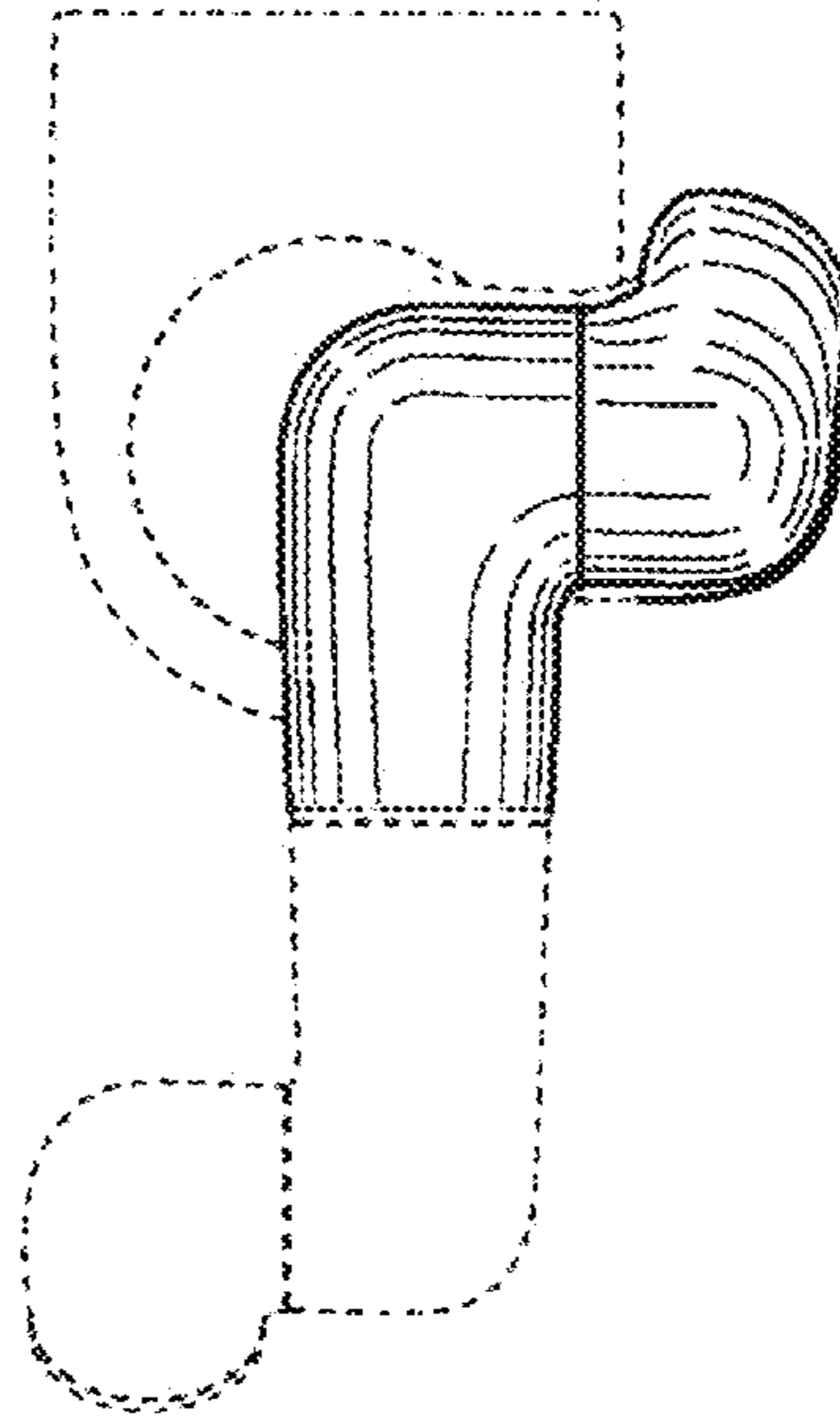


FIG. 6

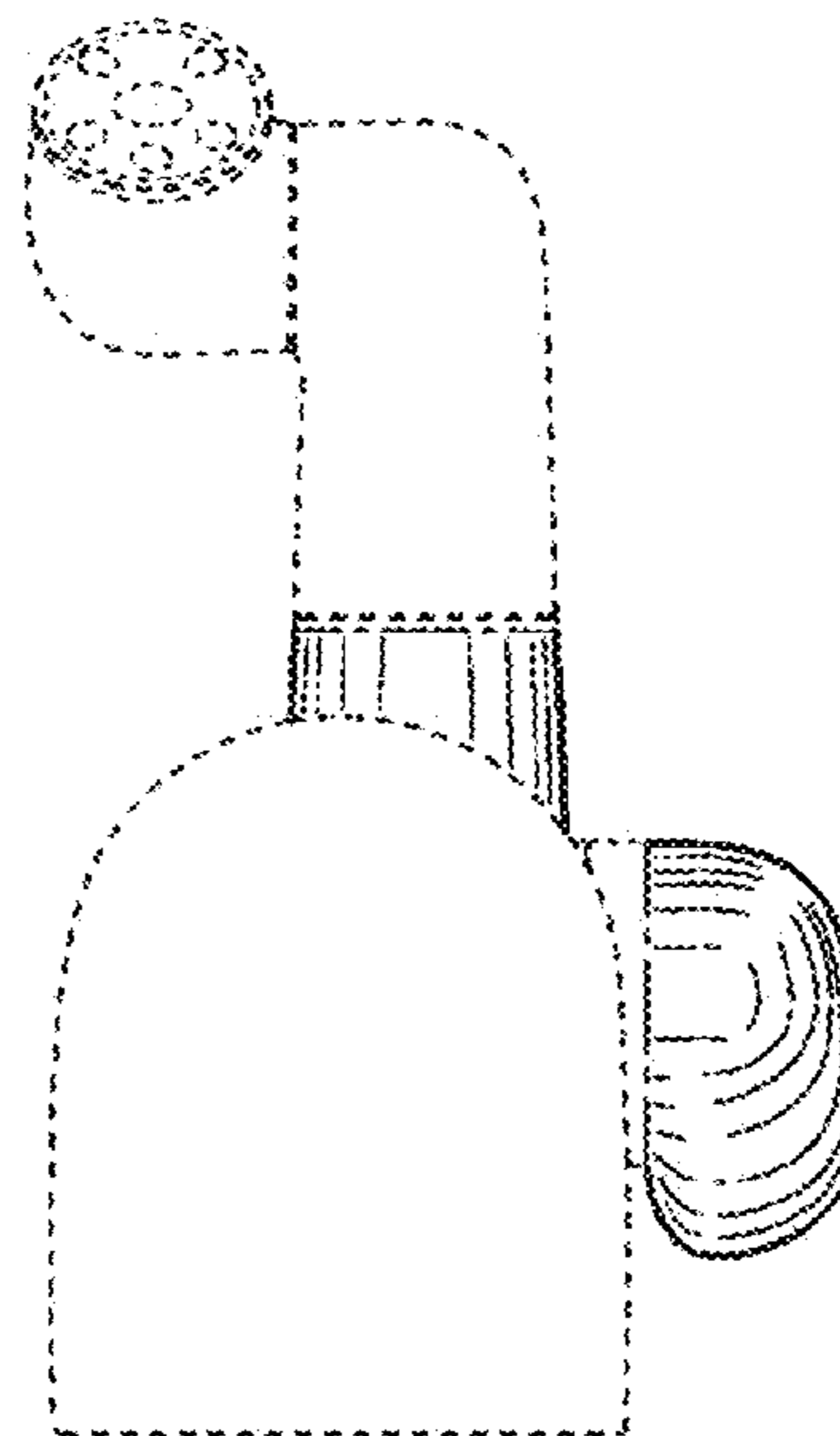


FIG. 7

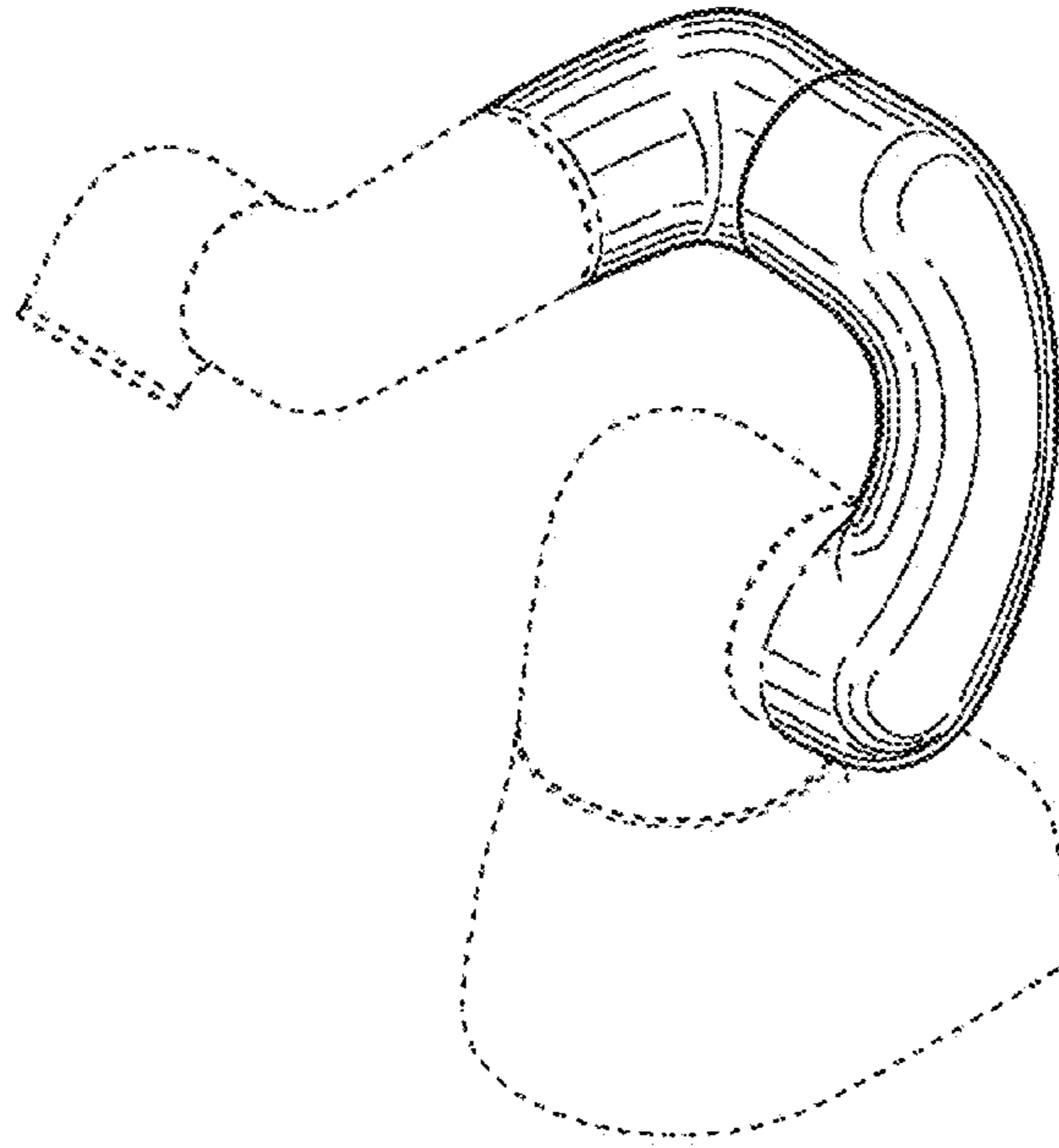


FIG. 8

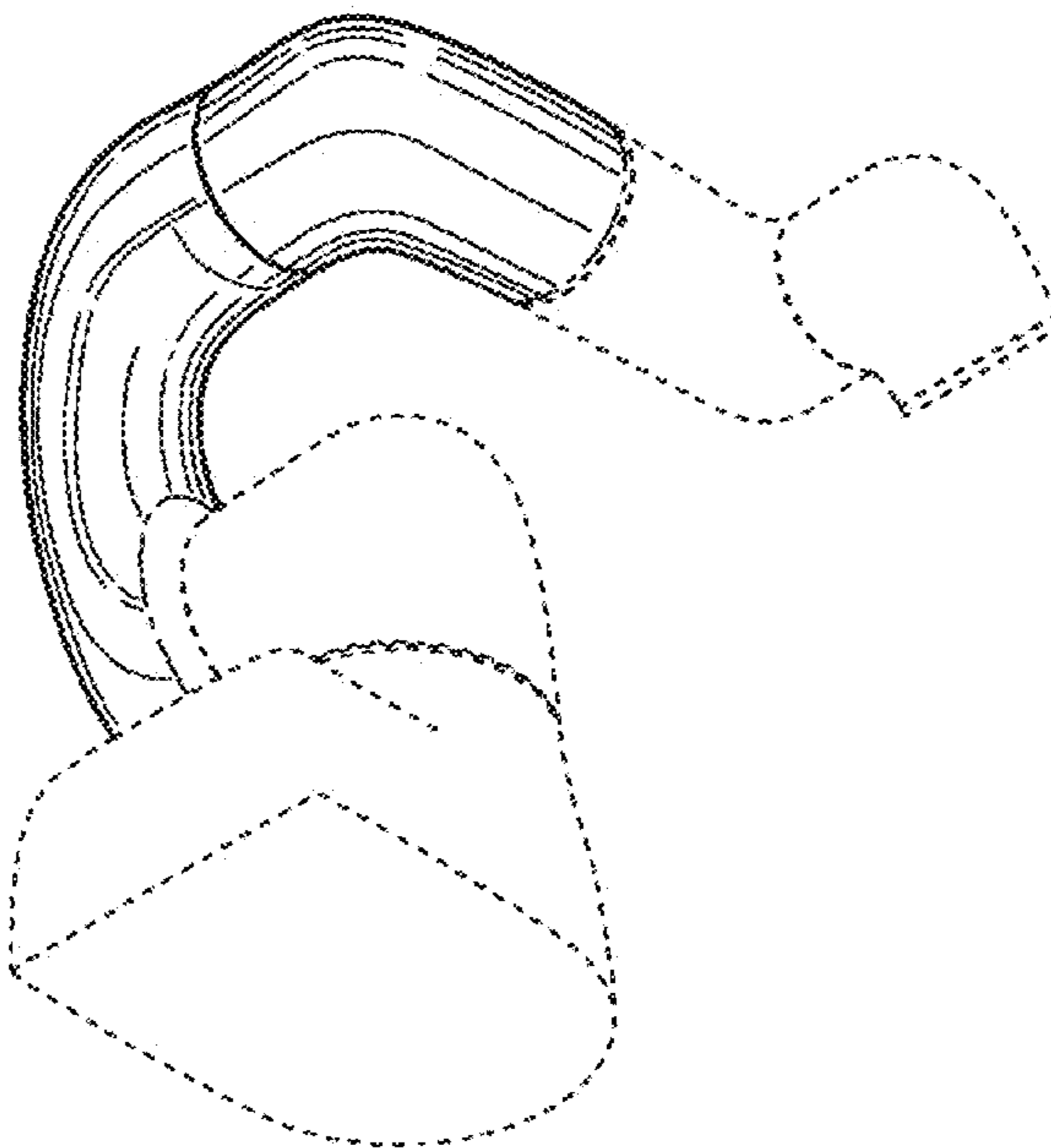


FIG. 9

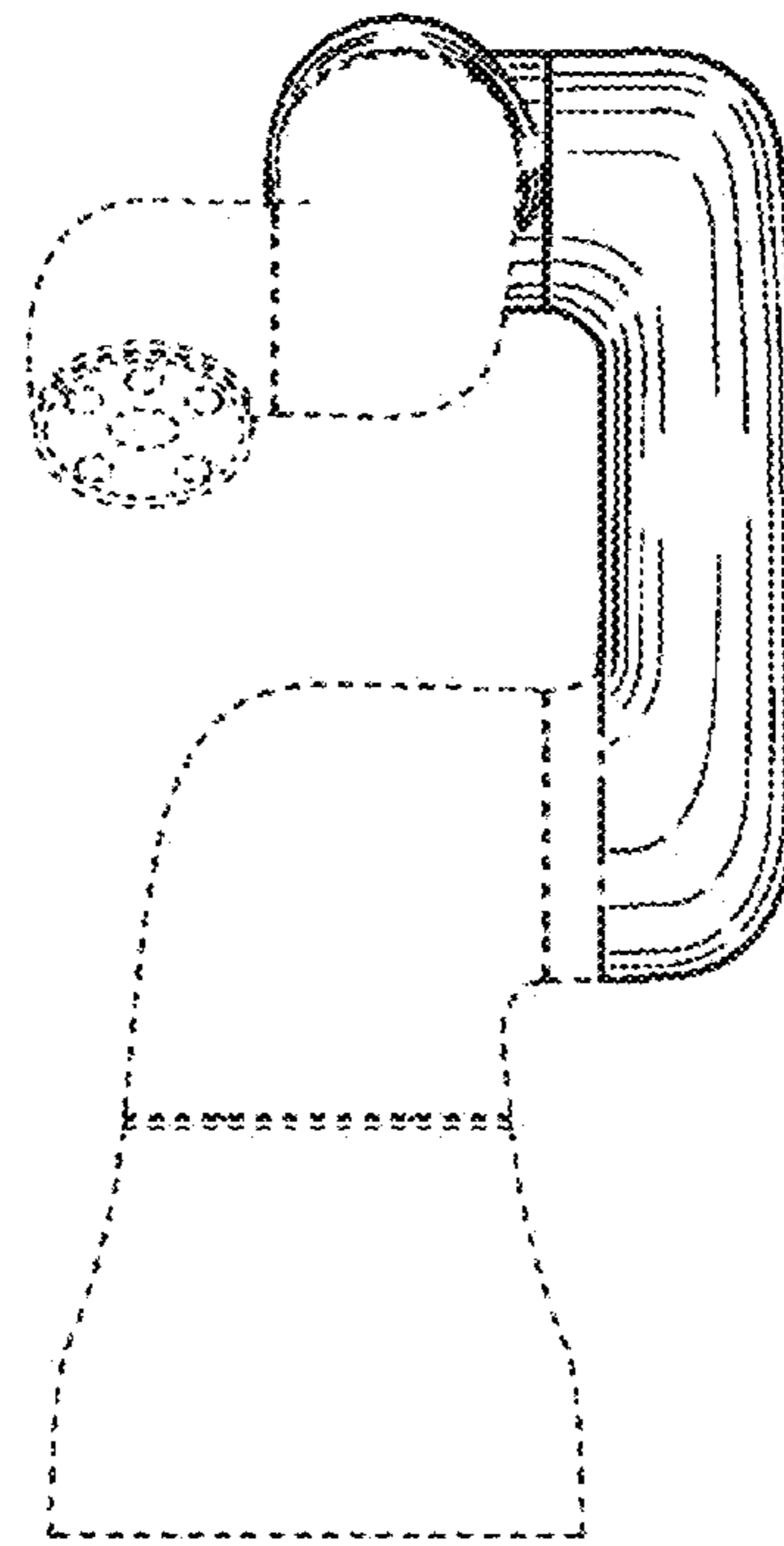


FIG. 10

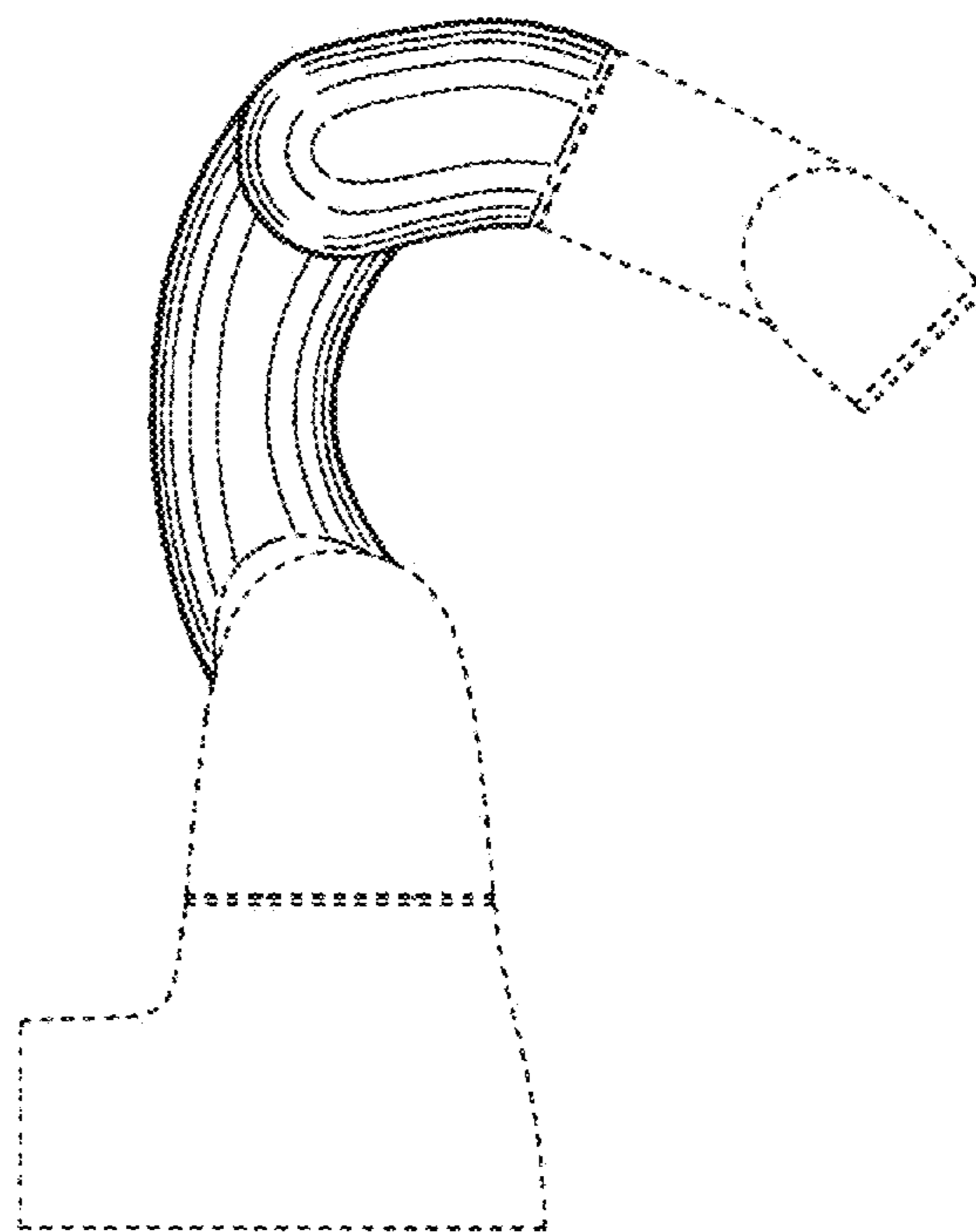


FIG. 11

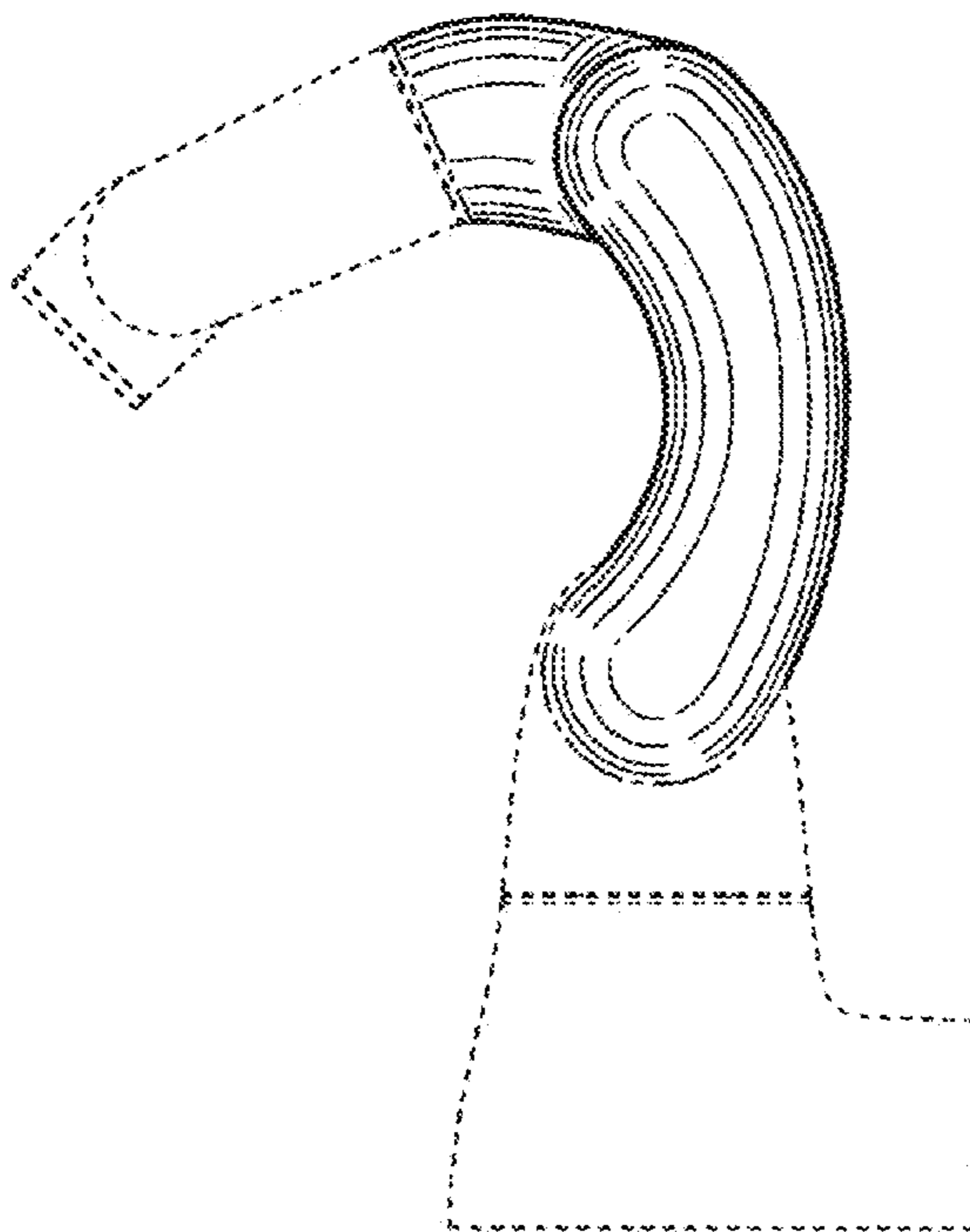


FIG. 12

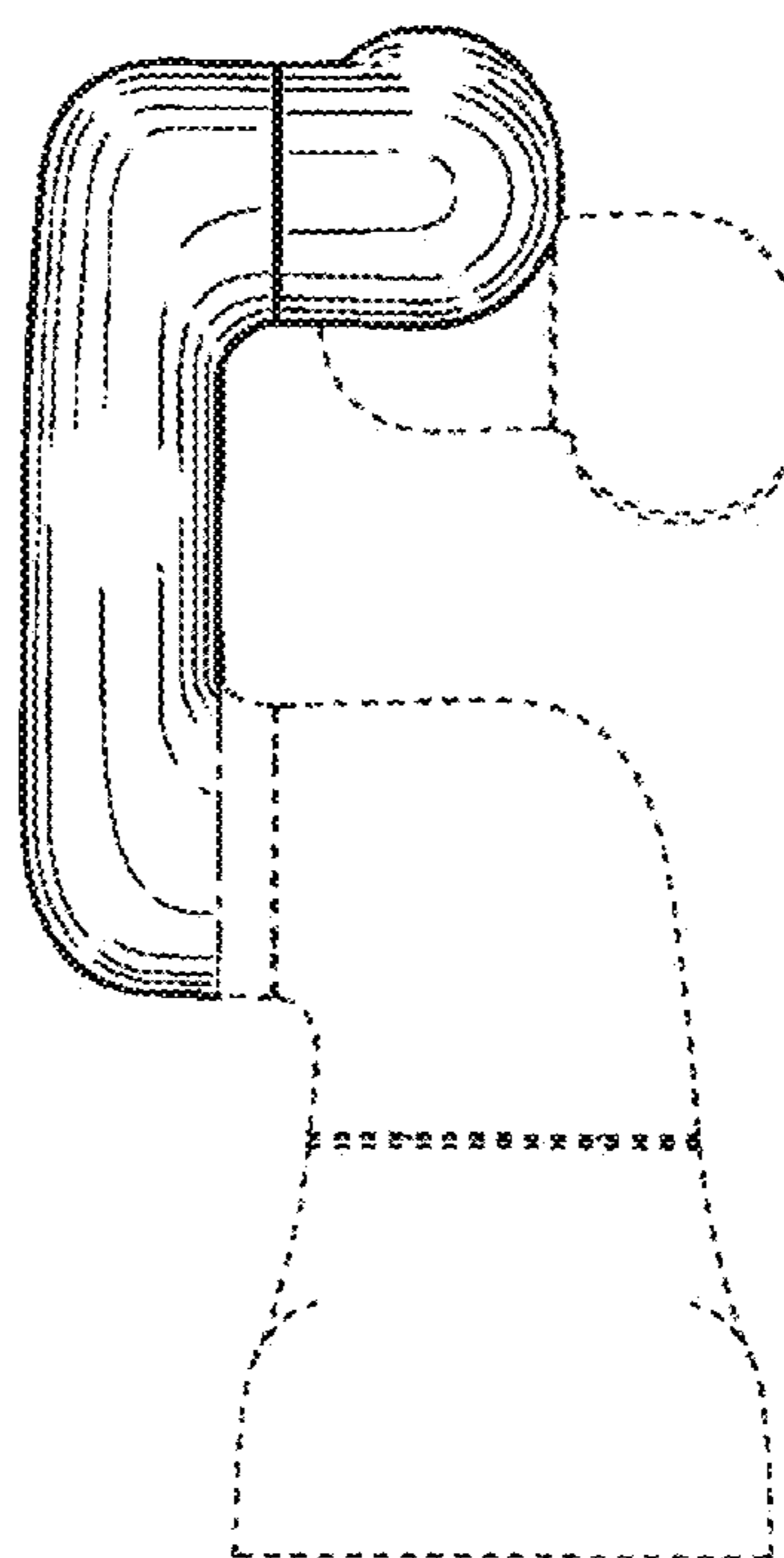


FIG. 13

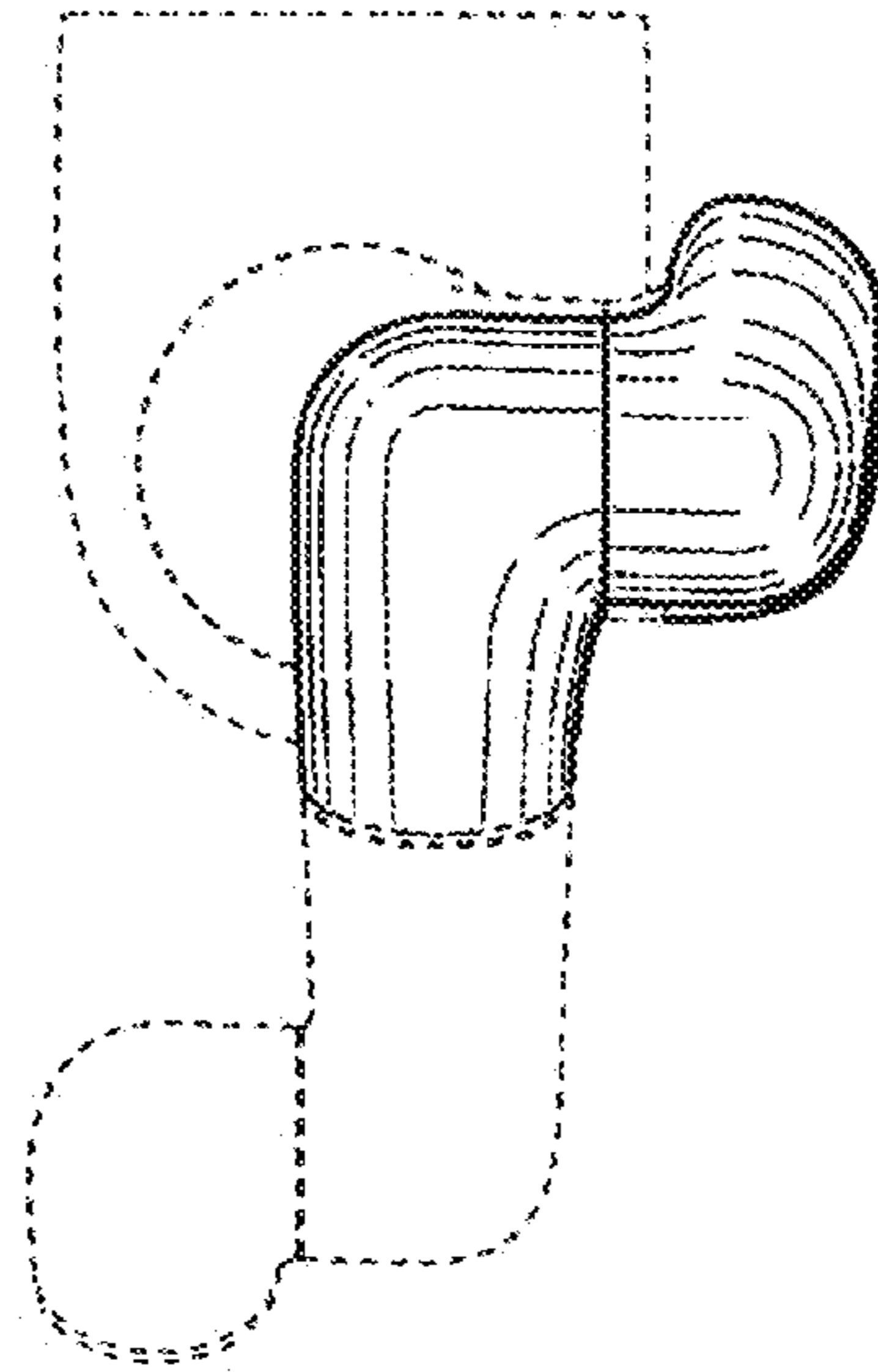


FIG. 14

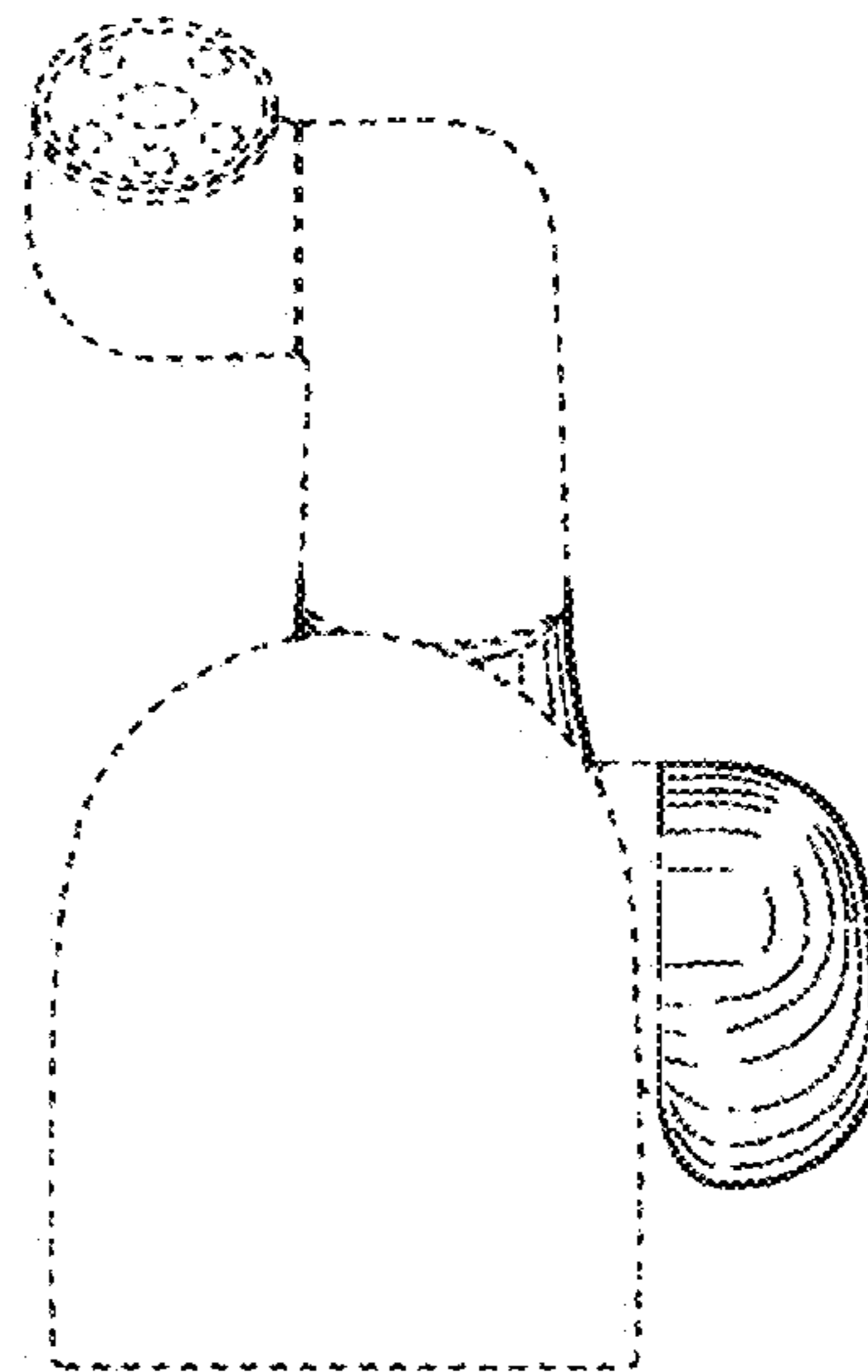


FIG. 15

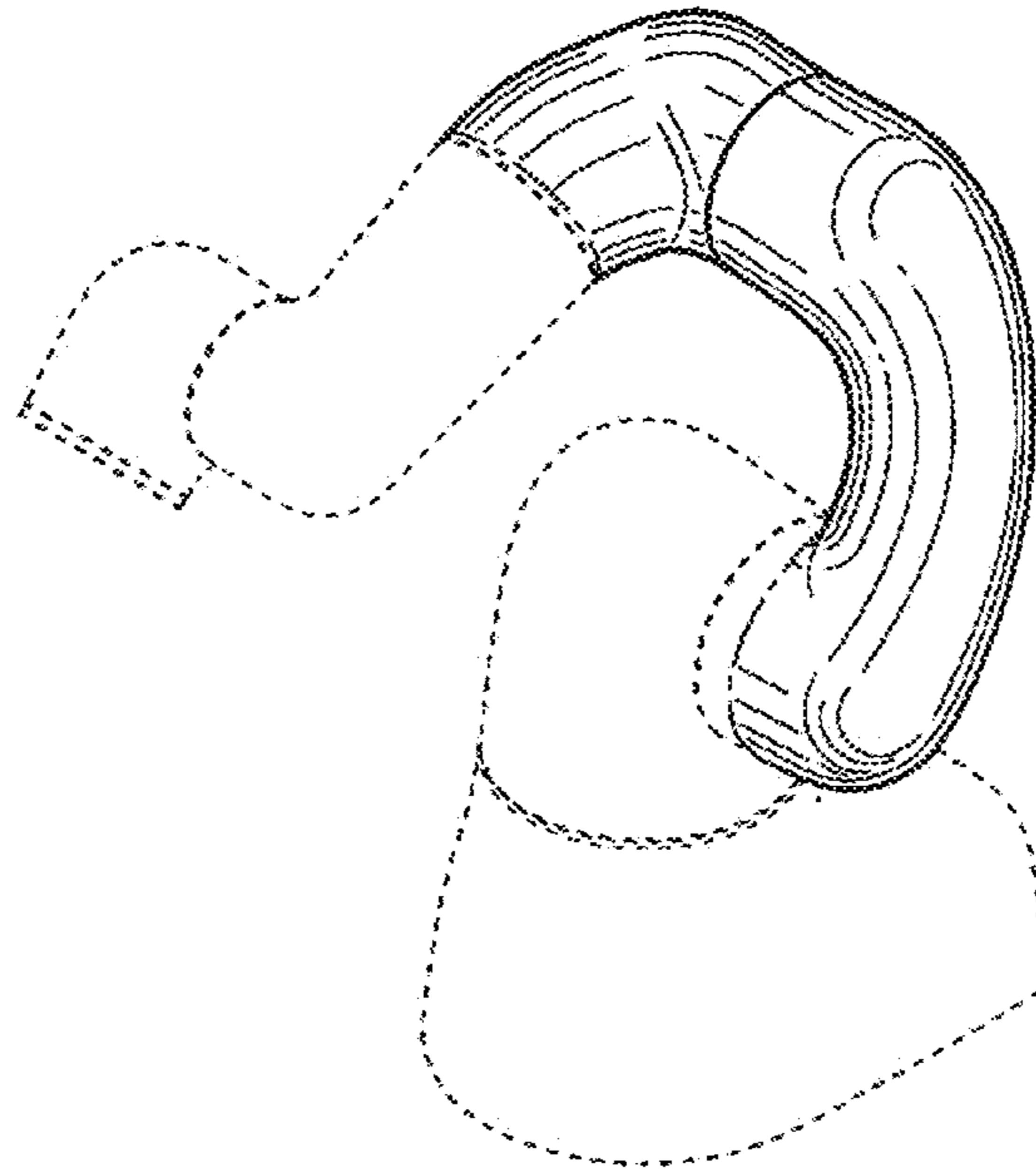


FIG. 16

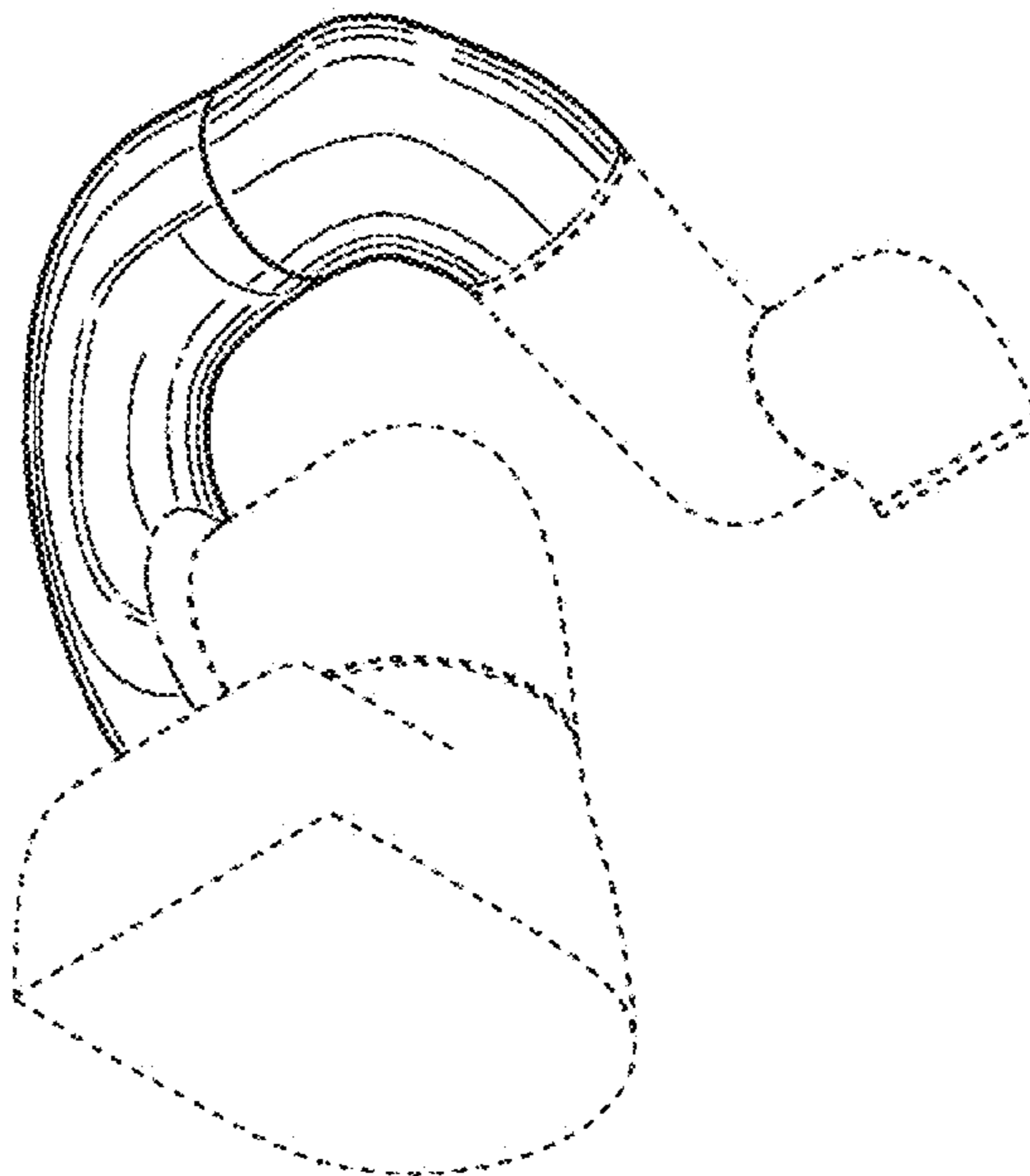


FIG. 17

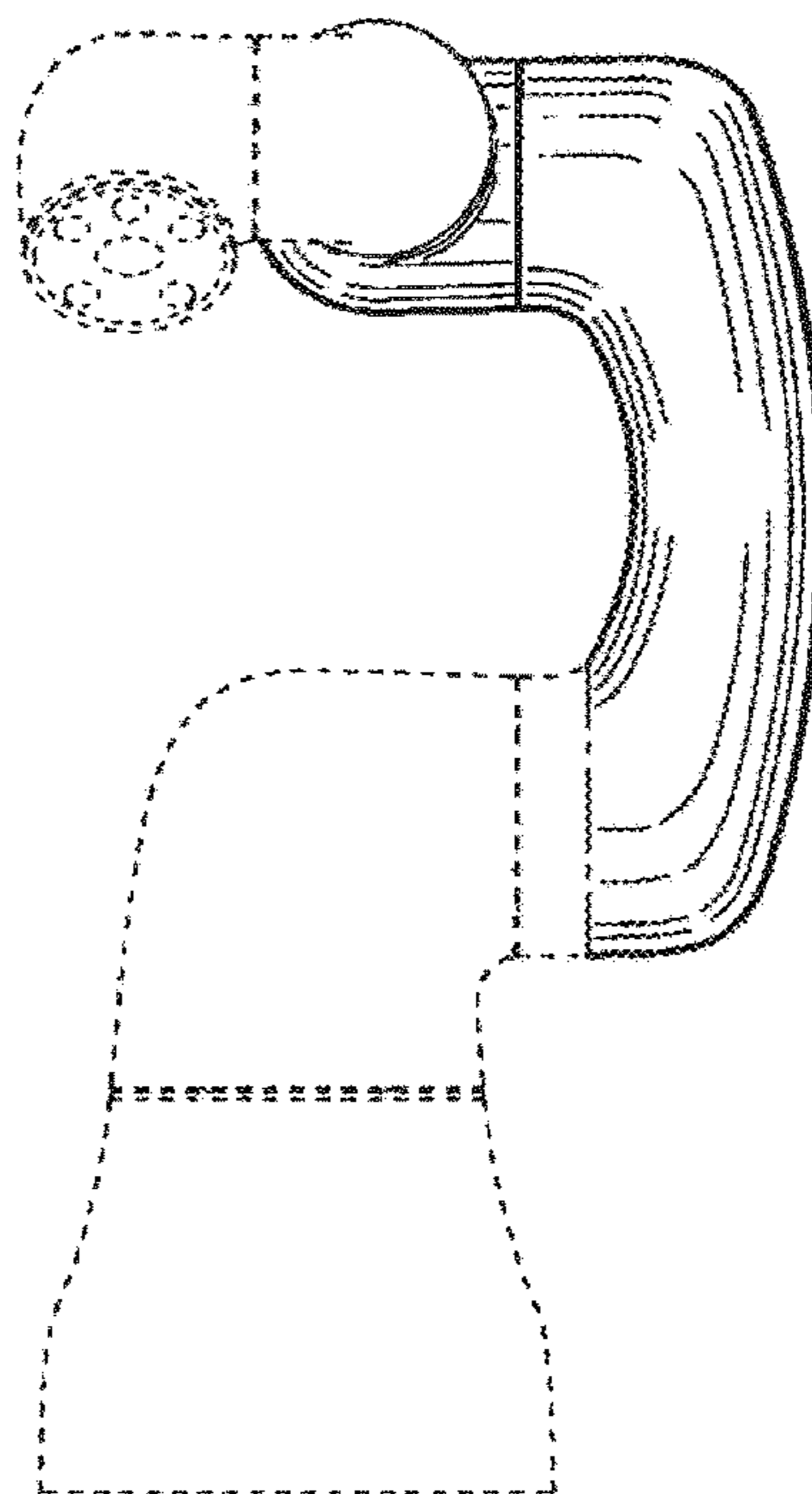


FIG. 18

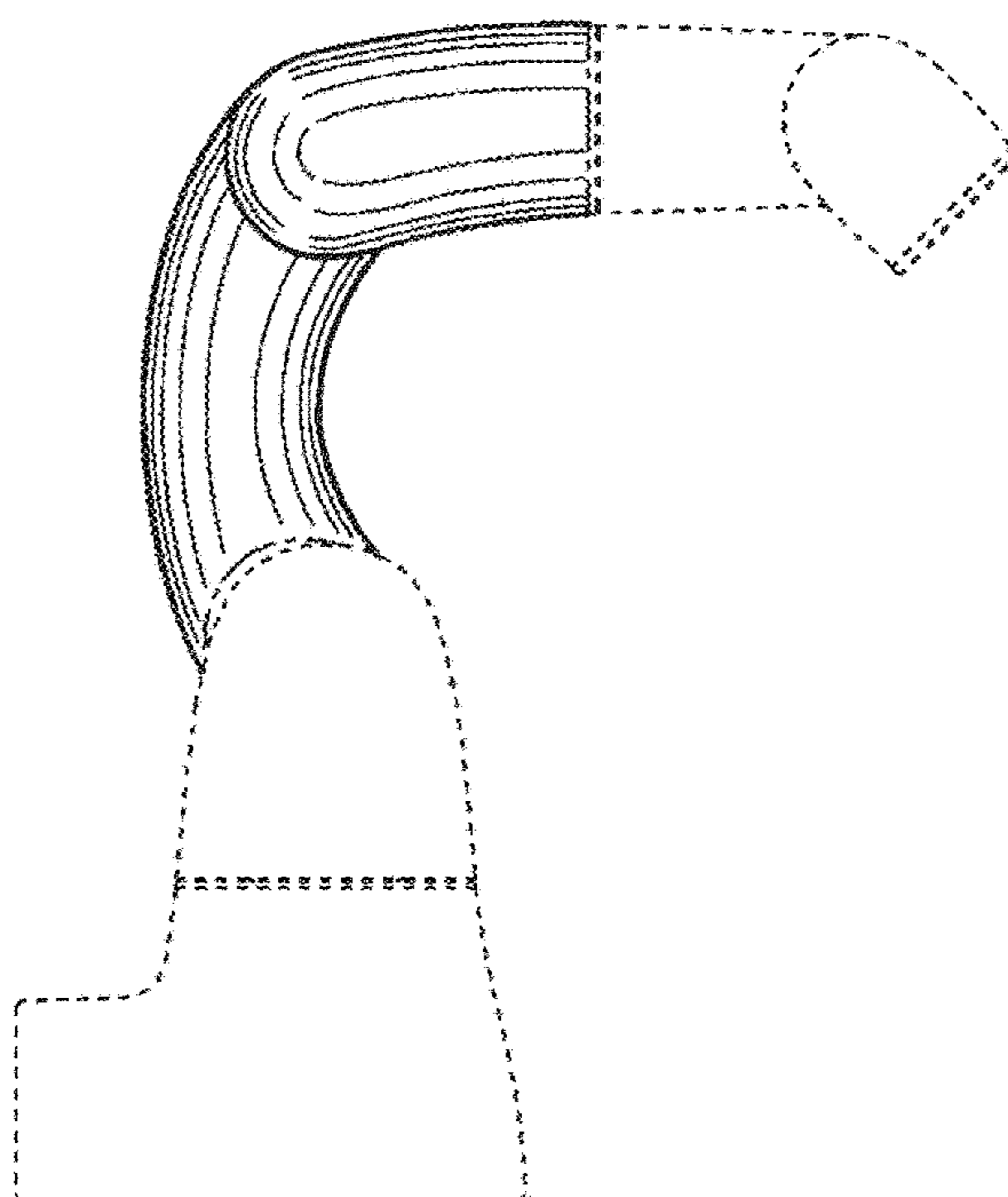


FIG. 19

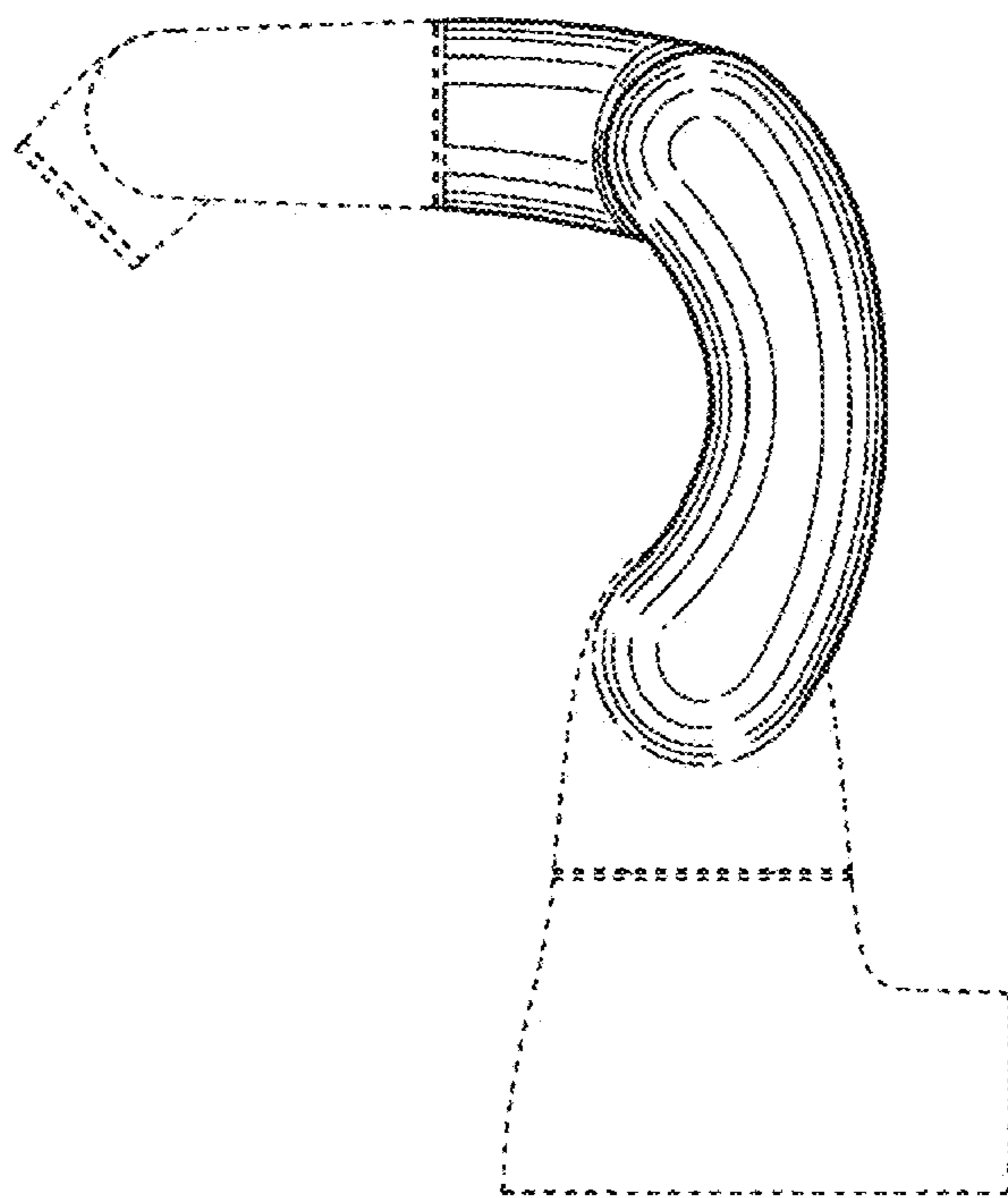


FIG. 20

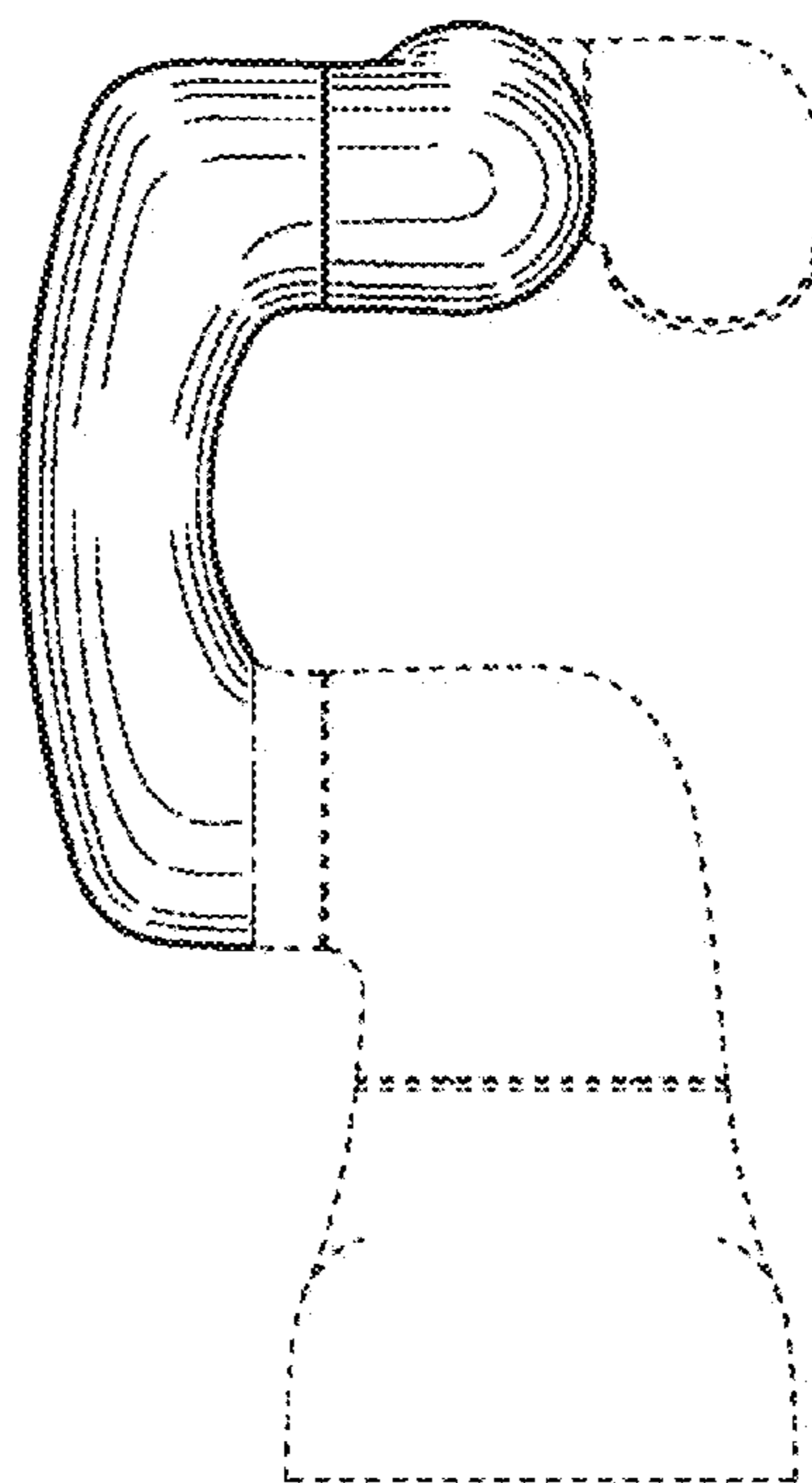


FIG. 21

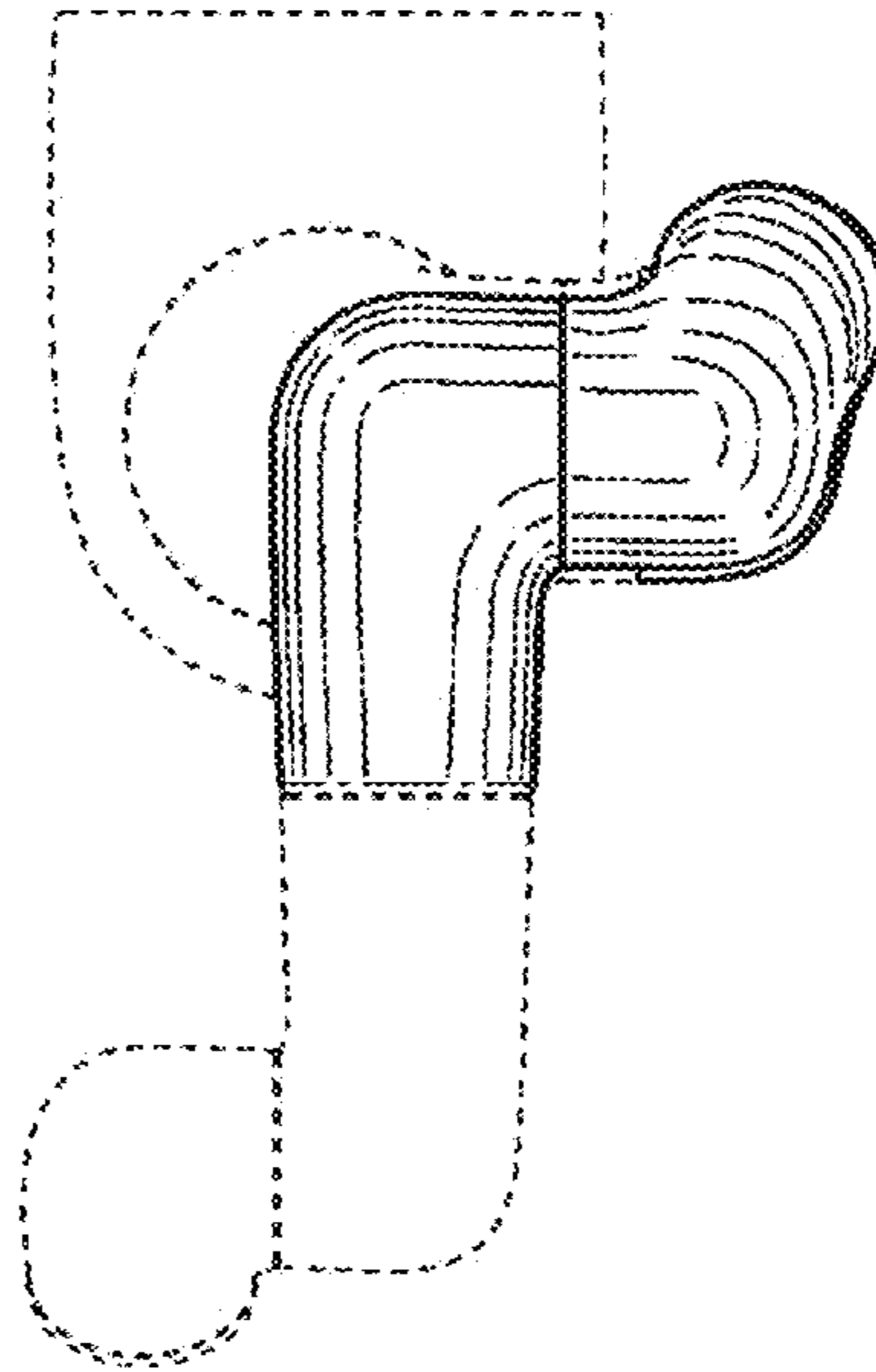


FIG. 22

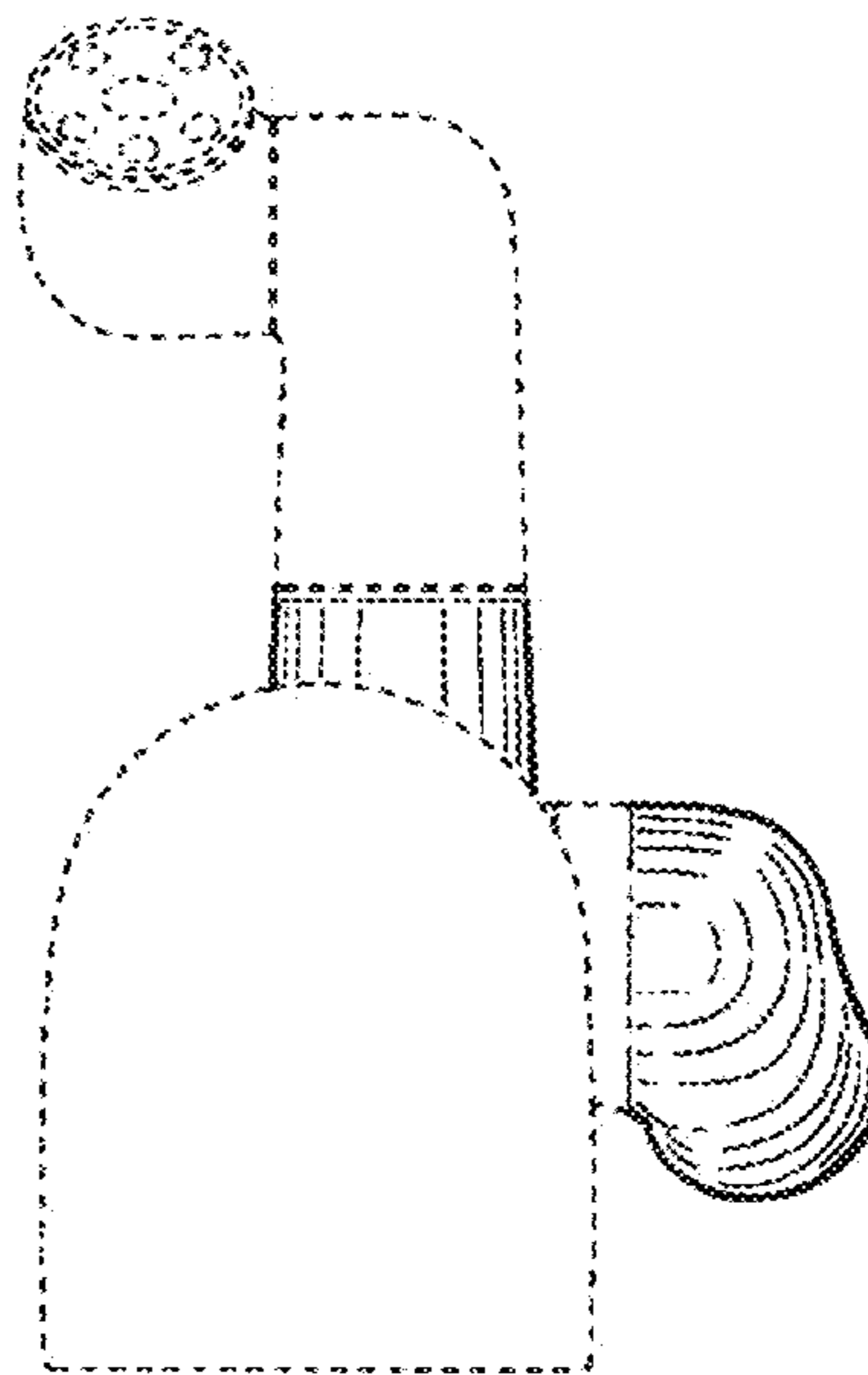


FIG. 23

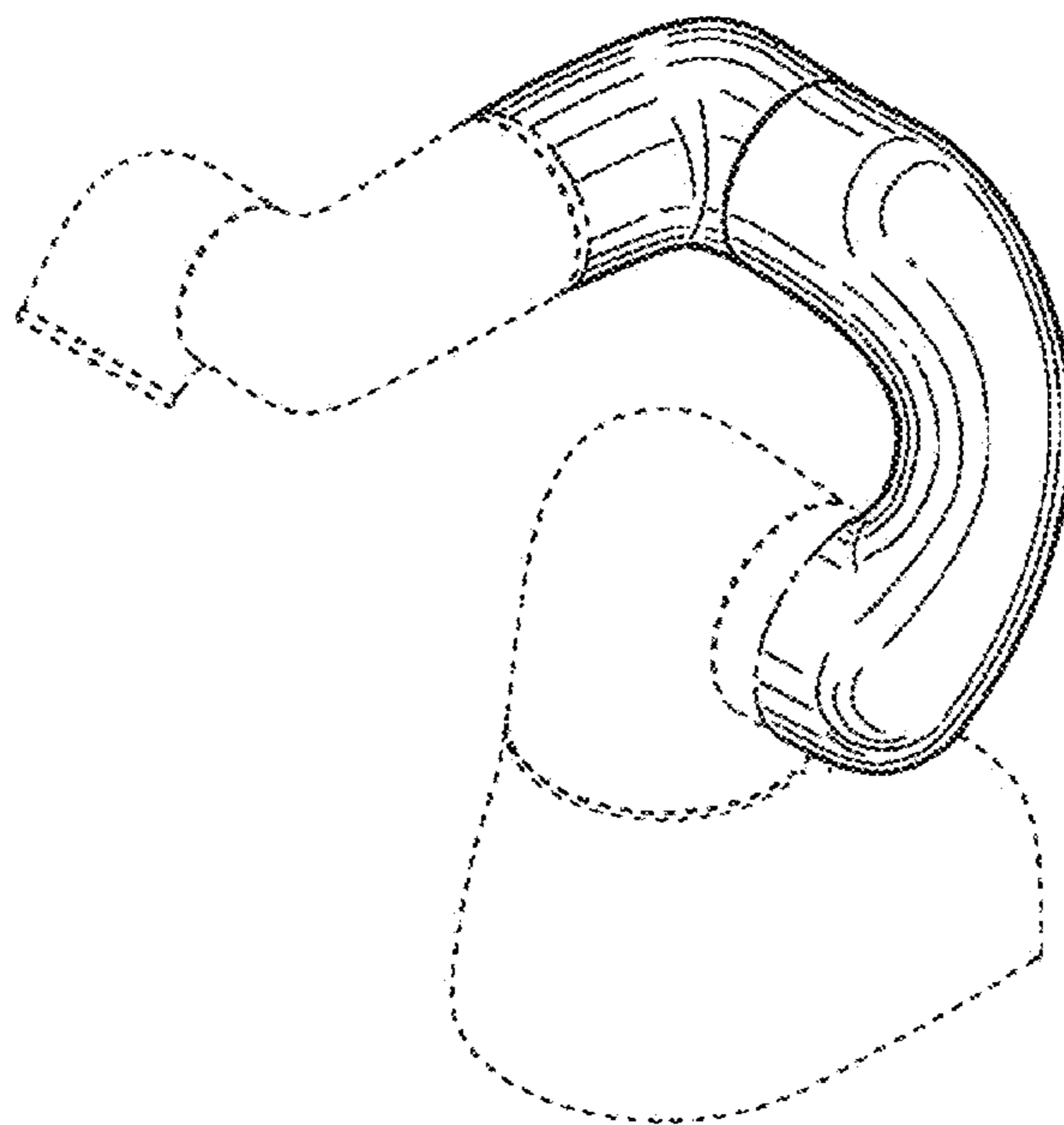


FIG. 24

