



US00D831084S

(12) **United States Design Patent** (10) **Patent No.:** **US D831,084 S**
Abe et al. (45) **Date of Patent:** **** Oct. 16, 2018**

(54) **CUTTING TOOL**

B23C 5/2427; B23C 2200/0422; B23C 2200/08; B23C 2200/086; B23C 2200/123

(71) Applicant: **SUMITOMO ELECTRIC HARDMETAL CORP.**, Itami-shi (JP)

See application file for complete search history.

(72) Inventors: **Makoto Abe**, Willich (DE); **Christoph Zeiner**, Willich (DE)

(56) **References Cited**

(73) Assignee: **SUMITOMO ELECTRIC HARDMETAL CORP.**, Itami-shi (JP)

U.S. PATENT DOCUMENTS

(**) Term: **15 Years**

3,548,473 A 12/1970 Stein
3,654,681 A 4/1972 Stein
D399,400 S 10/1998 Weber

(Continued)

(21) Appl. No.: **29/601,119**

OTHER PUBLICATIONS

(22) Filed: **Apr. 19, 2017**

Restriction Requirement issued in Design U.S. Appl. No. 29/561,724, dated Oct. 4, 2017 Related application, provided in IFW].

(30) **Foreign Application Priority Data**

(Continued)

Oct. 21, 2016 (JP) 2016-022932

Primary Examiner — Mitchell I. Siegel

(51) **LOC (11) Cl.** **15-03**

Assistant Examiner — Khawaja Anwar

(52) **U.S. Cl.**

(74) *Attorney, Agent, or Firm* — Venable LLP; Michael A. Sartori; Miguel A. Lopez

USPC **D15/139**

(58) **Field of Classification Search**

(57) **CLAIM**

USPC D15/124–144; D8/70, 90, 98, 120

The ornamental design for a cutting tool, as shown and described.

CPC B23C 2200/0411; B23C 2200/0416; B23C

DESCRIPTION

2200/0433; B23C 2200/164; B23C

FIG. 1 is a front view of a cutting tool showing our new design,

2200/361; B23C 2210/0457; B23C 5/006;

FIG. 2 is a rear view thereof;

B23C 2200/168; B23C 2210/163; B23C

FIG. 3 is a top view thereof;

2226/125; B23C 5/10; B23C 2200/081;

FIG. 4 is a bottom view thereof;

B23C 2200/087; B23C 2200/161; B23C

FIG. 5 is a right side view thereof;

2200/206; B23C 2210/02; B23C 2210/03;

FIG. 6 is a left side view thereof;

B23C 2210/166; B23C 2210/50; B23C

FIG. 7 is a first perspective view thereof;

2226/315; B23C 5/2208; B23C 5/2472;

FIG. 8 is a second perspective view thereof; and,

B23C 2200/0477; B23C 2200/0483;

FIG. 9 is a referential view showing the state in use thereof.

B23C 2200/083; B23C 2200/121; B23C

The broken lines shown in the drawings represent portions that form no part of the claimed design.

2200/362; B23C 2210/0428; B23C

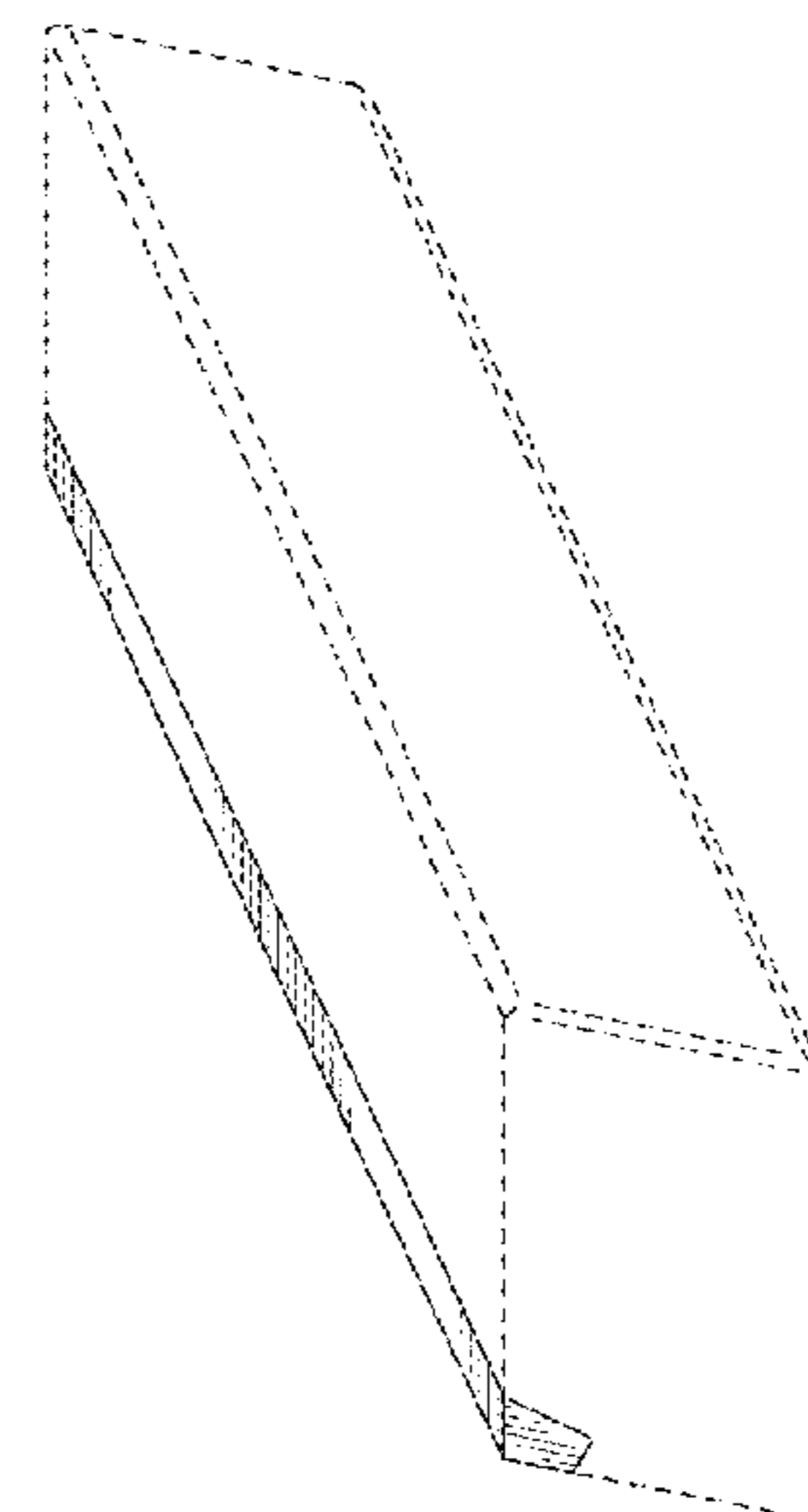
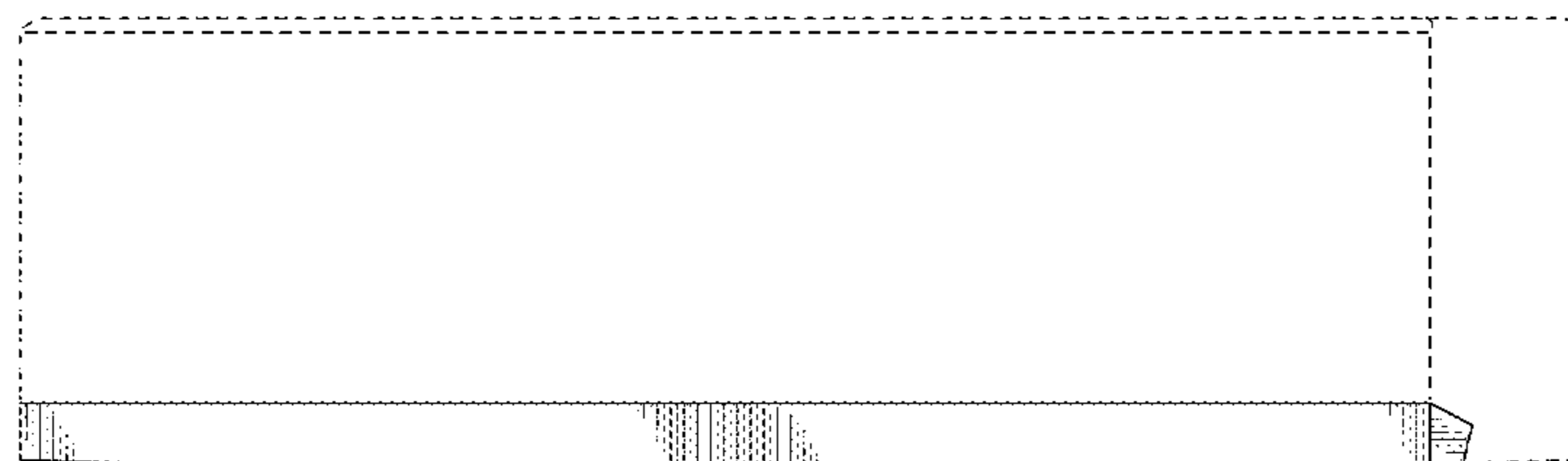
1 Claim, 5 Drawing Sheets

2210/0435; B23C 2210/16; B23C

2220/36; B23C 2220/44; B23C 2240/08;

B23C 2250/12; B23C 2270/06; B23C

5/2204; B23C 5/2213; B23C 5/2247;



(56)

References Cited

U.S. PATENT DOCUMENTS

D444,486 S * 7/2001 Biller D15/139
D605,672 S * 12/2009 Allen D15/139
D679,737 S * 4/2013 Soyama D15/139
D701,891 S * 4/2014 Clift D15/139
D712,942 S 9/2014 Zeiner et al.
D772,316 S 11/2016 Johnson et al.
D772,317 S 11/2016 Johnson et al.
D788,198 S * 5/2017 Zeiner D15/139
D807,934 S * 1/2018 Abe D15/138
D809,031 S * 1/2018 Burton D15/139
D814,537 S * 4/2018 Wu D15/139
2015/0000481 A1 1/2015 Zeiner et al.

OTHER PUBLICATIONS

Design U.S. Appl. No. 29/561,724, filed Apr. 19, 2016 [Related application, provided in IFW].

Notice of Allowance dated Jul. 17, 2018 in Design U.S. Appl. No. 29/561,724.

* cited by examiner

FIG.1

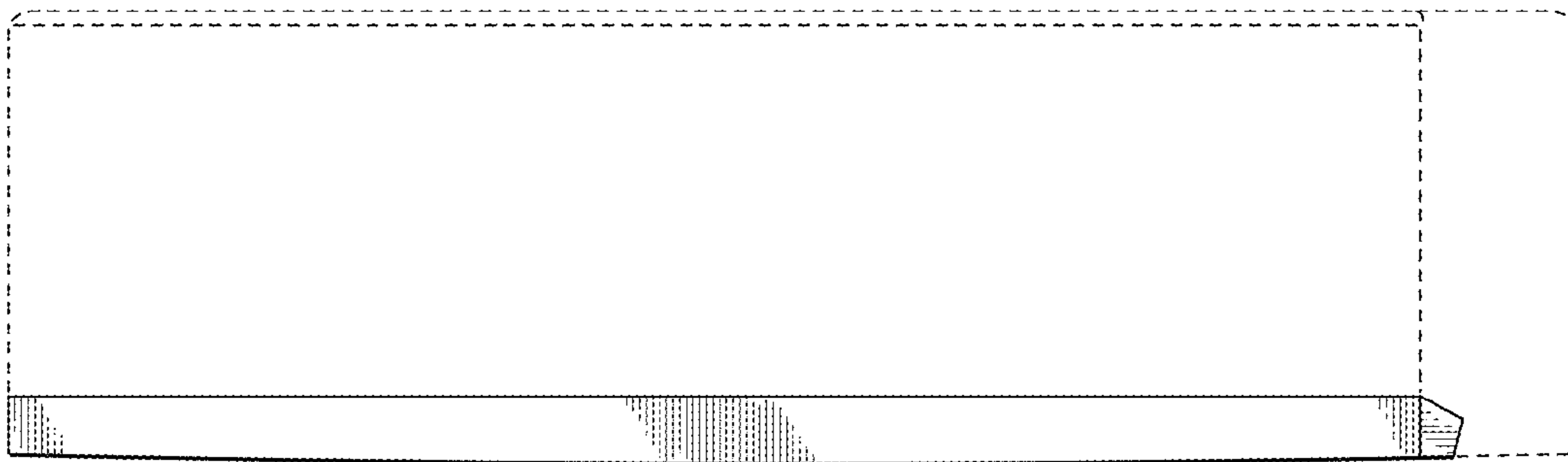


FIG.2



FIG.3



FIG.4

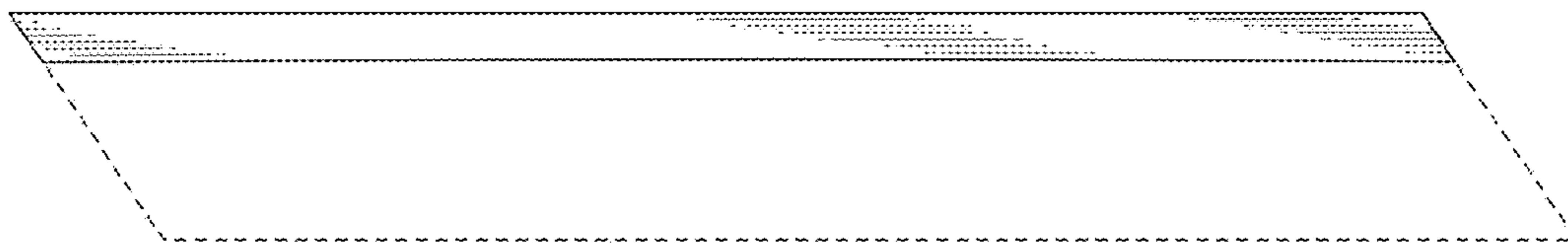


FIG.5



FIG.6



FIG. 7

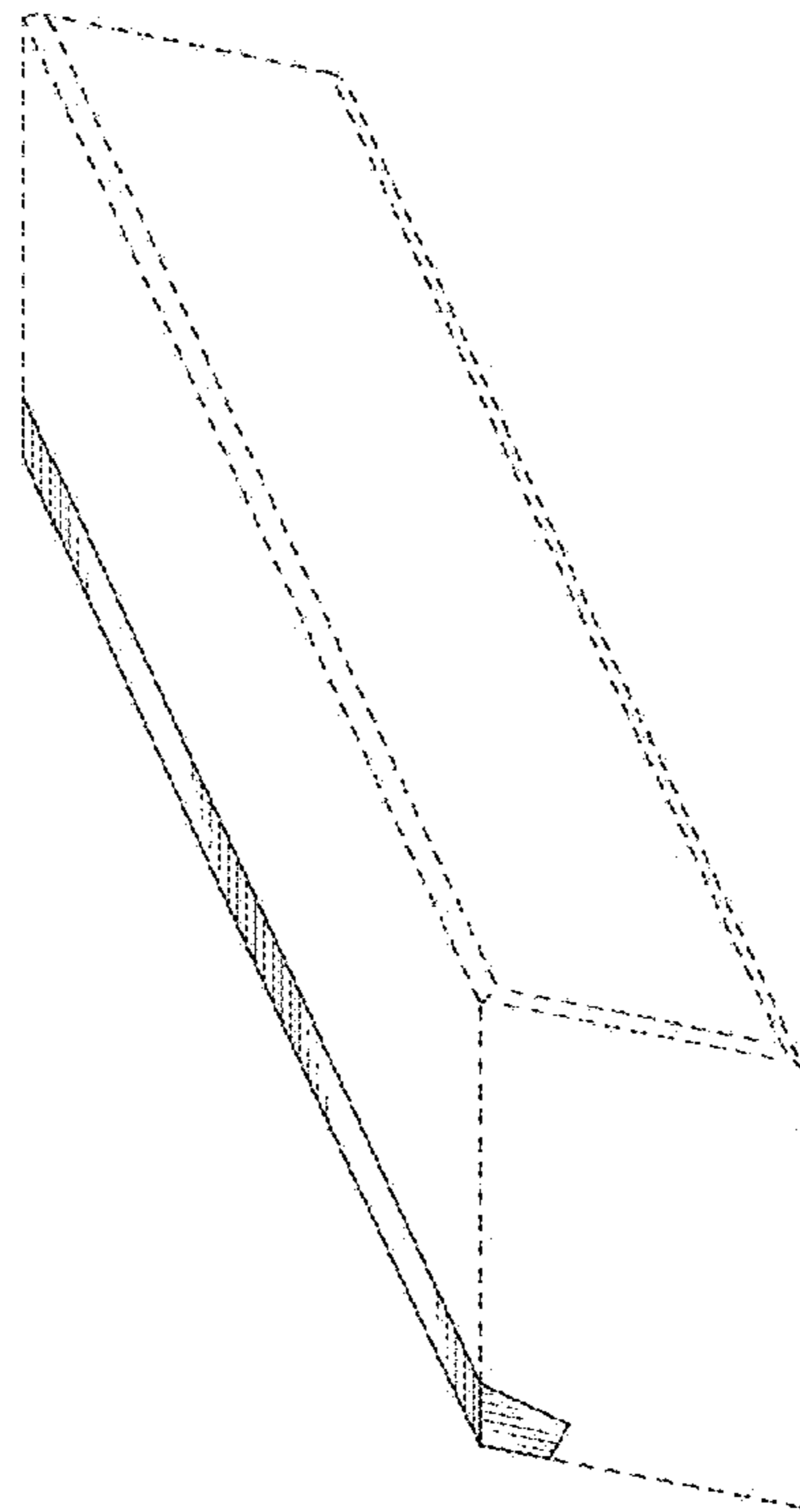


FIG. 8

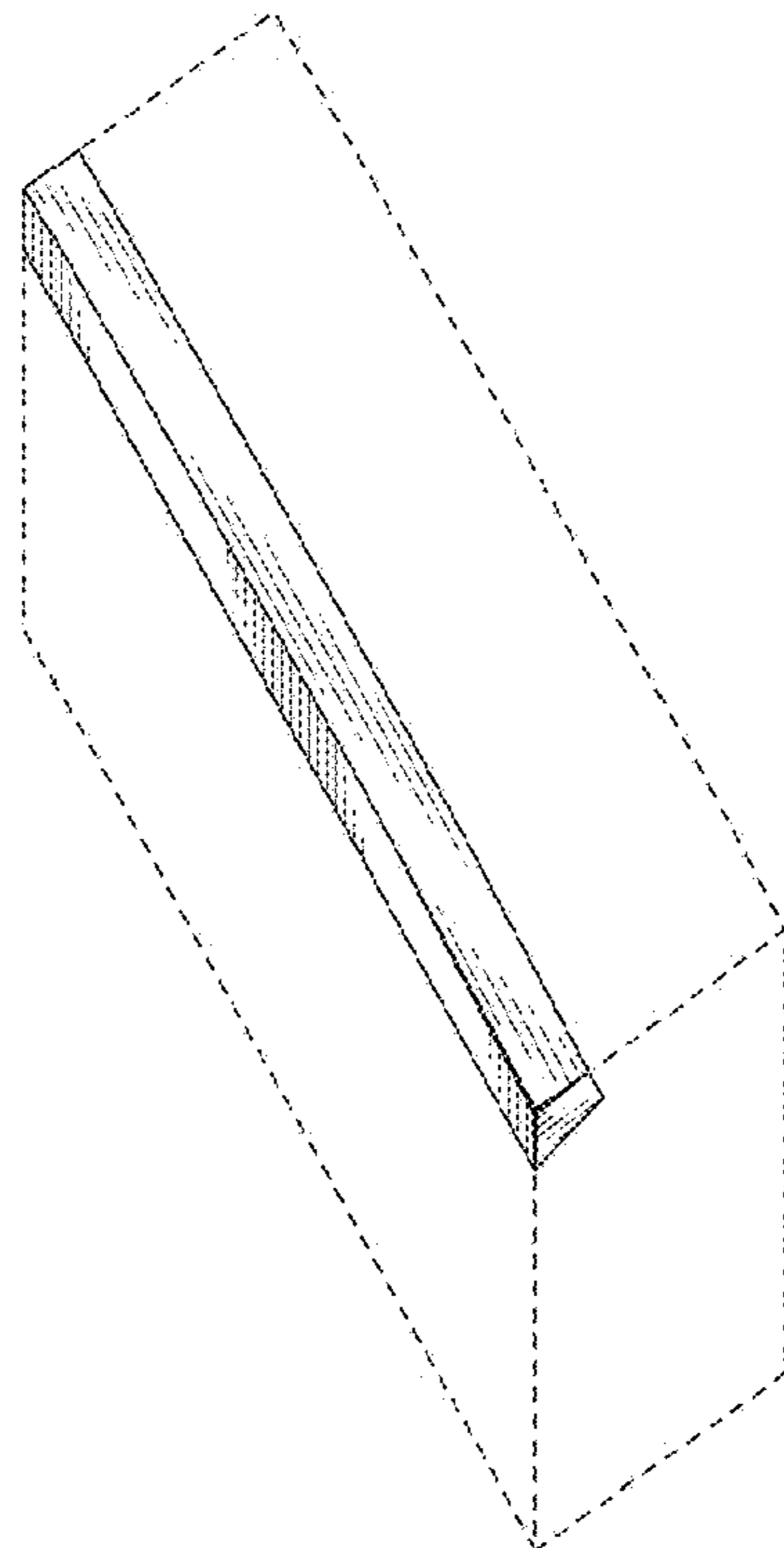


FIG.9

