



US00D831083S

(12) **United States Design Patent** (10) **Patent No.:** **US D831,083 S**
McDonald et al. (45) **Date of Patent:** **** Oct. 16, 2018**

(54) **AFTERTREATMENT SYSTEM HOUSING**
(71) Applicant: **Cummins Emission Solutions Inc.**,
Columbus, IN (US)
(72) Inventors: **Carl A. McDonald**, Greenwood, IN
(US); **Arvind V. Harinath**, Columbus,
IN (US); **John G. Buechler**,
Indianapolis, IN (US); **Ryan M.**
Johnson, Cottage Grove, WI (US);
Randolph G. Zoran, McFarland, WI
(US)

5,611,832 A 3/1997 Suzuki et al.
6,475,944 B1 11/2002 Yang et al.
D590,419 S 4/2009 Duffek et al.
8,341,949 B2 1/2013 Tarabulski
8,609,047 B2 12/2013 Dotzel et al.
D702,735 S 4/2014 Sandou
D757,919 S 5/2016 Kimura

(Continued)

FOREIGN PATENT DOCUMENTS

EM 002840355 10/2015
WO WO 2016/109320 7/2016

(Continued)

(73) Assignee: **CUMMINS EMISSION SOLUTIONS INC.**, Columbus, IN (US)

OTHER PUBLICATIONS

(**) Term: **15 Years**

International Search Report and Written Opinion for PCT/US2015/
067302, dated Mar. 11, 2016, 10 pages.

(Continued)

(21) Appl. No.: **29/632,627**

(22) Filed: **Jan. 9, 2018**

Primary Examiner — Patricia A Palasik

(74) *Attorney, Agent, or Firm* — Foley & Lardner LLP

Related U.S. Application Data

(60) Continuation of application No. 29/600,848, filed on
Apr. 17, 2017, now Pat. No. Des. 809,577, which is
a division of application No. 29/540,794, filed on Sep.
28, 2015, now Pat. No. Des. 794,100.

(51) **LOC (11) Cl.** **15-09**

(52) **U.S. Cl.**

USPC **D15/138; D23/265**

(58) **Field of Classification Search**

USPC D15/5, 138, 199; D23/265

CPC F01N 3/021; F01N 3/2006; F01N 3/2066;

F01N 2550/02; F01N 2560/021; F01N

2560/026; F01N 2610/00; Y02T 10/24;

Y02T 10/26

See application file for complete search history.

(56) **References Cited**

U.S. PATENT DOCUMENTS

4,673,423 A 6/1987 Yumlu
5,043,146 A 8/1991 Ishikawa et al.

(57) **CLAIM**

We claim the ornamental design for an aftertreatment system
housing, as shown and described.

DESCRIPTION

FIG. 1 is a top, front, left perspective view of the claimed
design;

FIG. 2 is a top plan view thereof;

FIG. 3 is a bottom plan view thereof;

FIG. 4 is a front elevation view thereof;

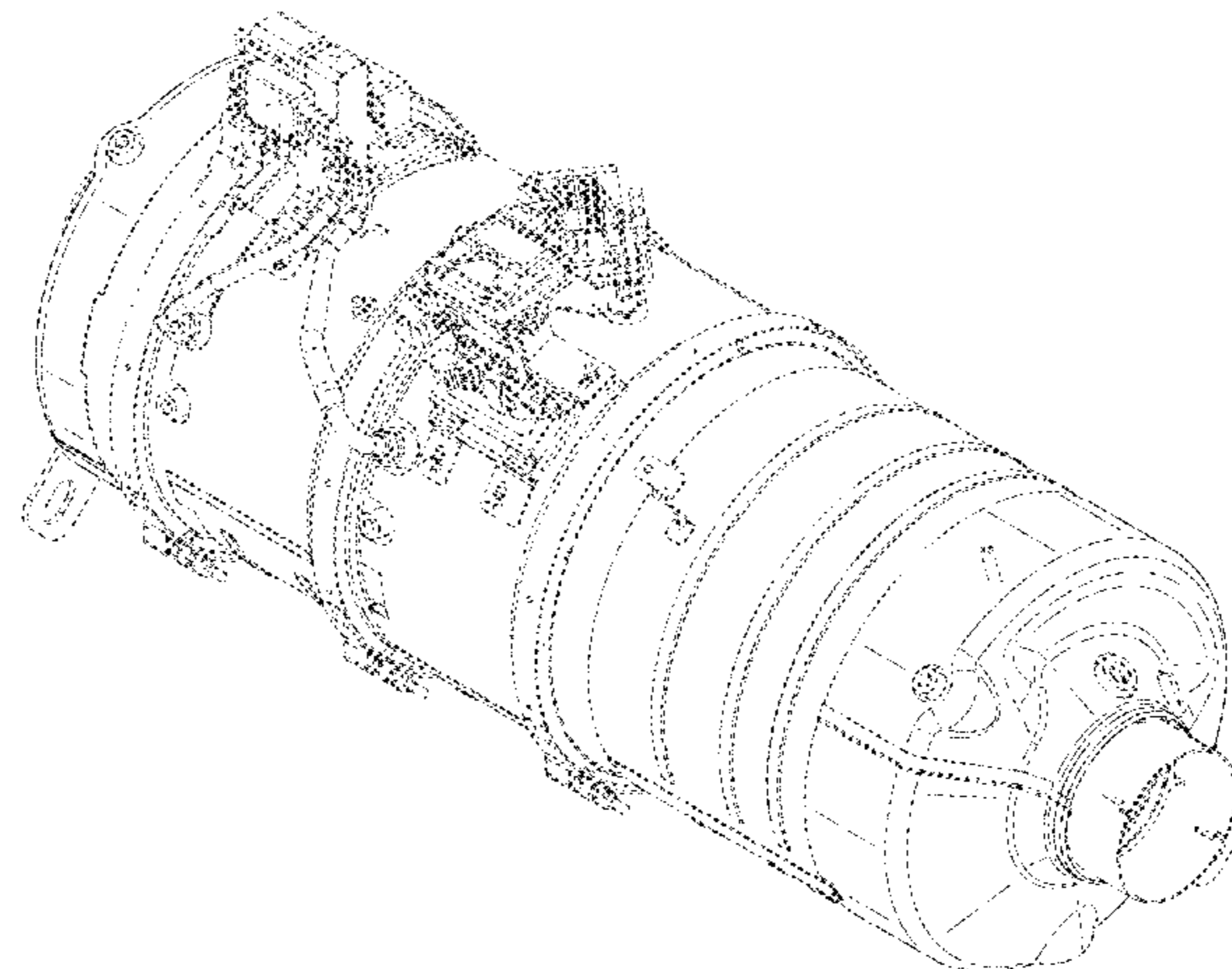
FIG. 5 is a rear elevation view thereof;

FIG. 6 is a left elevation view thereof; and,

FIG. 7 is a right elevation view thereof.

The broken lines in the drawings depict unclaimed environ-
mental subject matter.

1 Claim, 7 Drawing Sheets



(56)

References Cited

U.S. PATENT DOCUMENTS

D794,100 S * 8/2017 McDonald D15/138
 D809,577 S * 2/2018 McDonald D15/138
 2003/0221424 A1 12/2003 Woerner et al.
 2007/0039316 A1 2/2007 Bosanec et al.
 2008/0060351 A1 3/2008 Pawson et al.
 2009/0084094 A1 4/2009 Goss et al.
 2009/0136387 A1 5/2009 Picton et al.
 2010/0242451 A1 9/2010 Werni et al.
 2010/0300082 A1 12/2010 Zhang
 2011/0047973 A1 3/2011 Wilhelm et al.
 2011/0052454 A1 3/2011 Kato
 2011/0099978 A1 5/2011 Davidson et al.
 2012/0004863 A1 1/2012 Ardanese et al.
 2012/0210697 A1 8/2012 Garimella et al.
 2013/0125524 A1 5/2013 Plummer et al.
 2013/0213008 A1 8/2013 Kumar et al.
 2014/0007562 A1 1/2014 Justin
 2014/0260202 A1 9/2014 Bays et al.
 2014/0262590 A1 9/2014 Daborn et al.
 2014/0363358 A1 12/2014 Udd et al.
 2014/0373721 A1 12/2014 Sandou et al.
 2015/0000389 A1 1/2015 Runde et al.
 2015/0224870 A1 8/2015 Shin et al.

2016/0069239 A1 3/2016 Freeman et al.
 2016/0076430 A1 3/2016 Freeman et al.
 2016/0115847 A1 4/2016 Chapman et al.
 2016/0245207 A1 8/2016 Ball et al.
 2016/0326931 A1 11/2016 Freeman et al.
 2016/0369940 A1 12/2016 Patil et al.
 2017/0036165 A1 2/2017 Schmid et al.
 2017/0043295 A1 2/2017 Minezawa et al.
 2017/0074146 A1 3/2017 Maletic et al.
 2017/0089248 A1 3/2017 Evans et al.

FOREIGN PATENT DOCUMENTS

WO WO 2016/109321 7/2016
 WO WO 2016/109323 7/2016

OTHER PUBLICATIONS

International Search Report and Written Opinion for PCT/US2015/067317, dated Apr. 22, 2016, 18 pages.
 International Search Report and Written Opinion for PCT/US2015/067324, dated Feb. 23, 2016, 8 pages.
 Office Action cited for U.S. Appl. No. 15/539,886, dated Mar. 1, 2018, 14 pages.

* cited by examiner

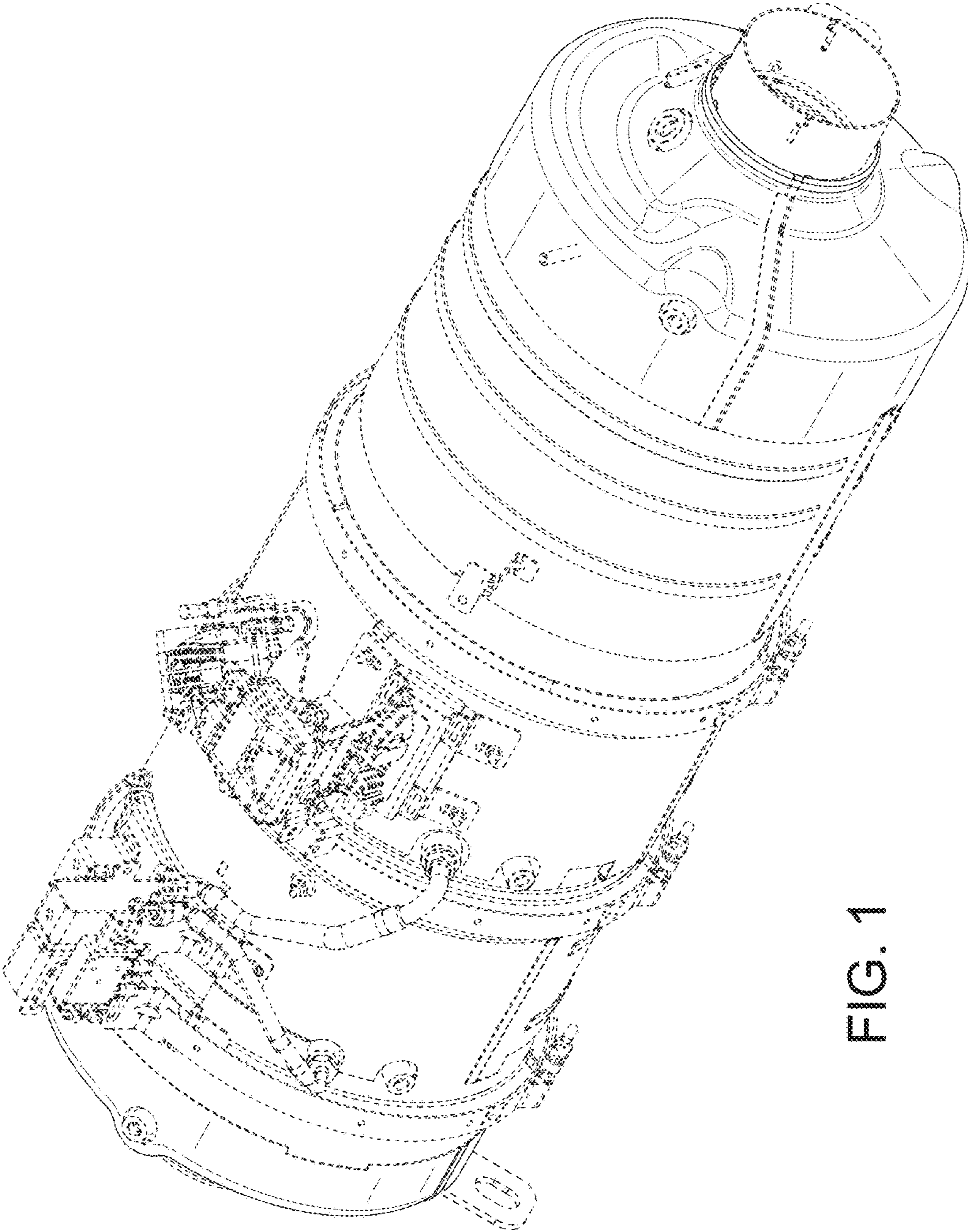


FIG. 1

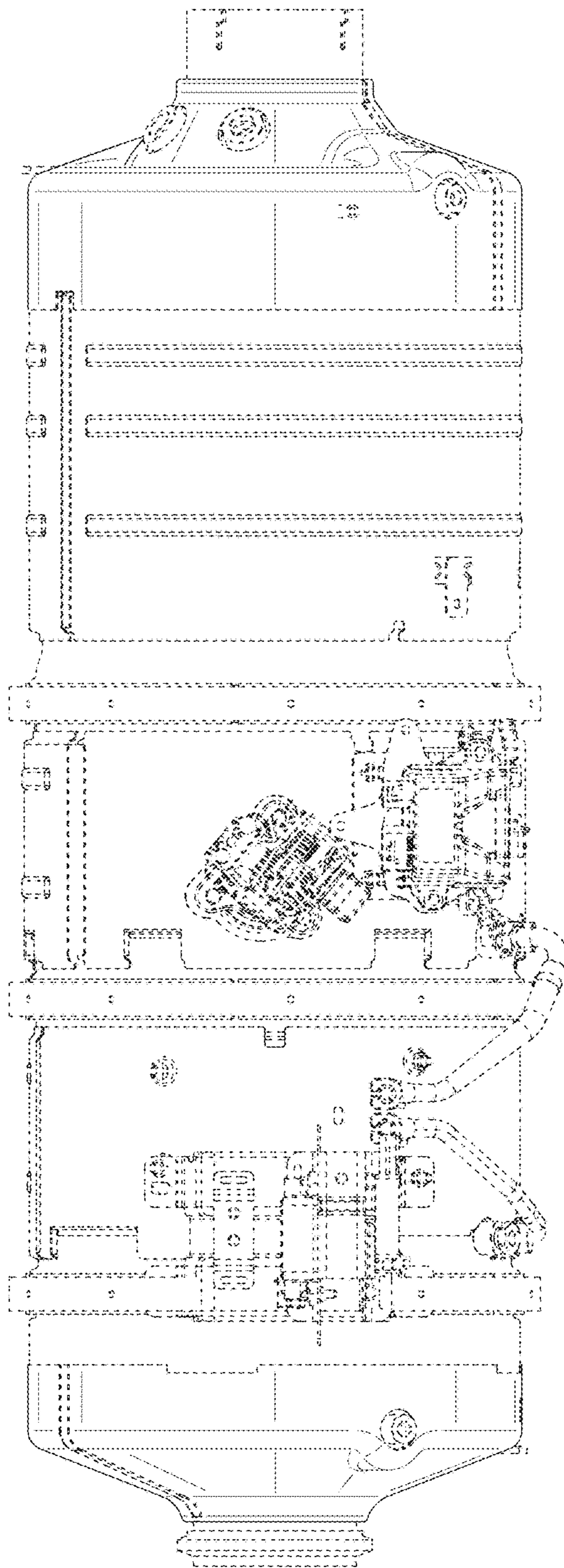


FIG. 2

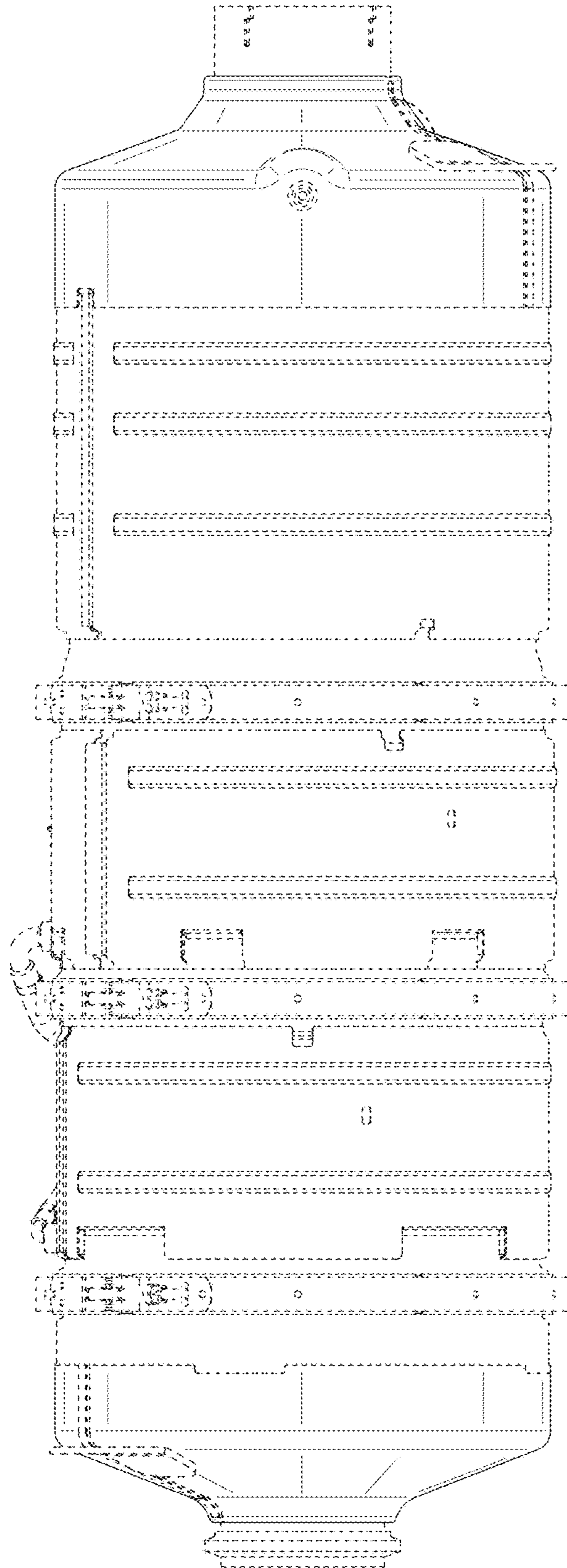


FIG. 3

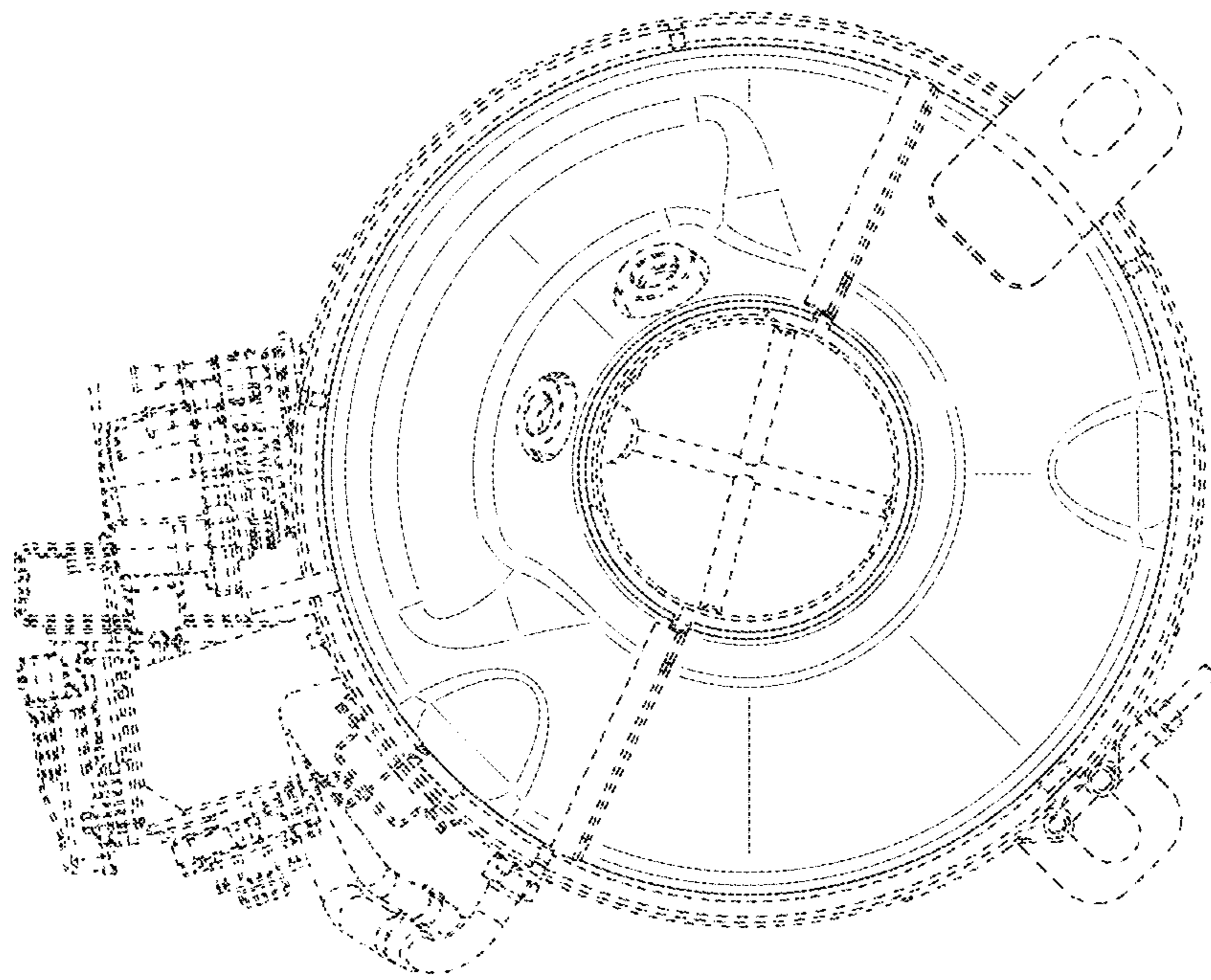


FIG. 4

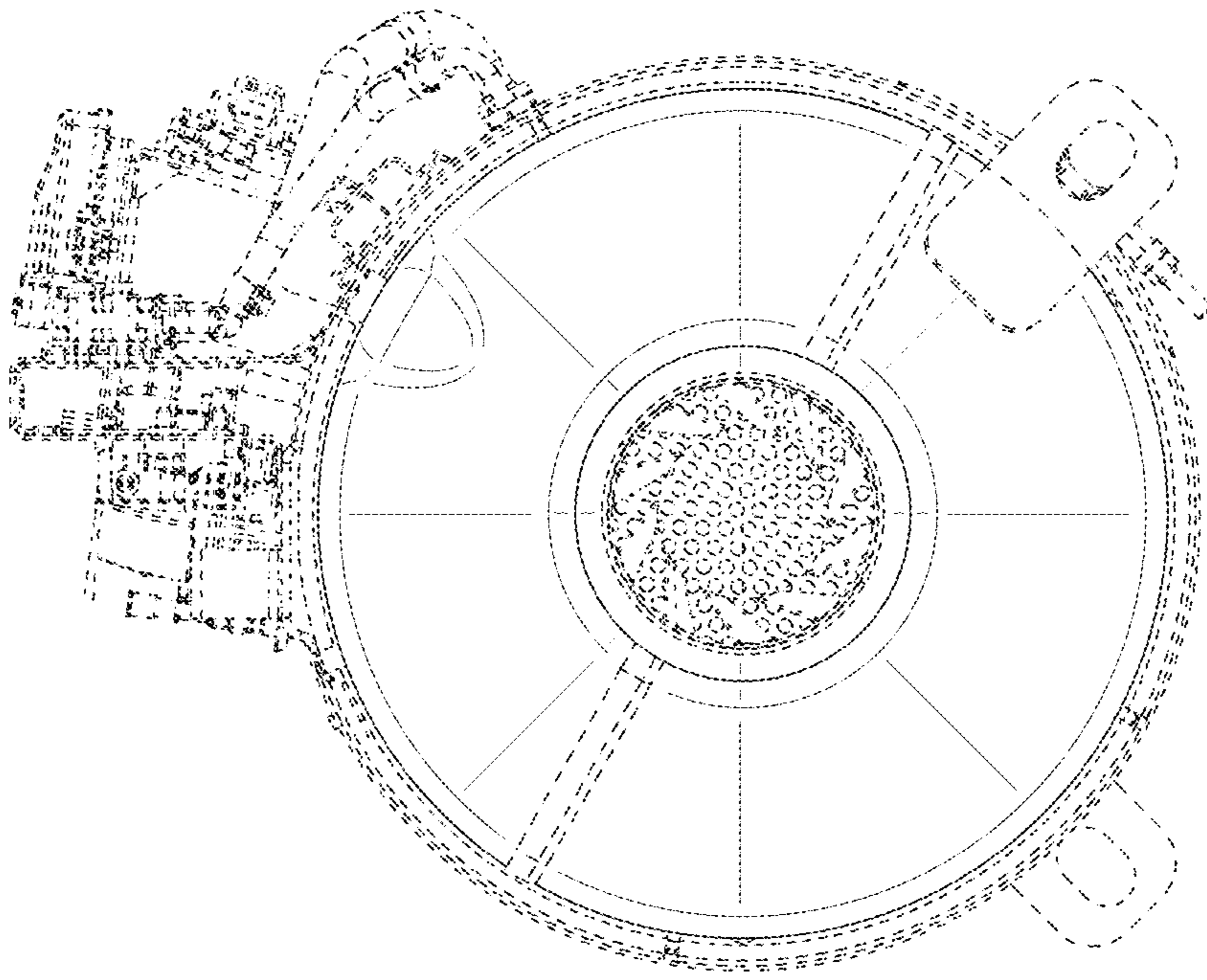


FIG. 5

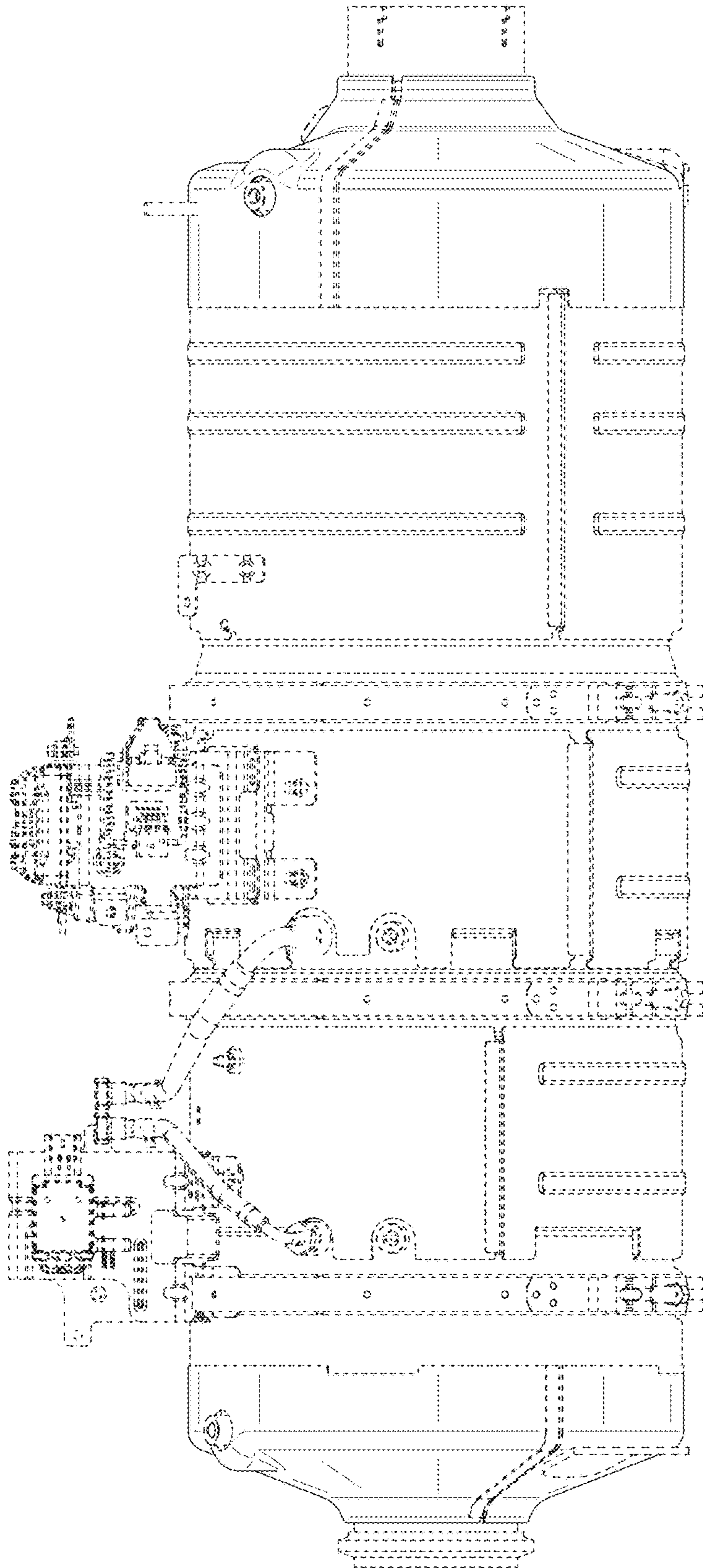


FIG. 6

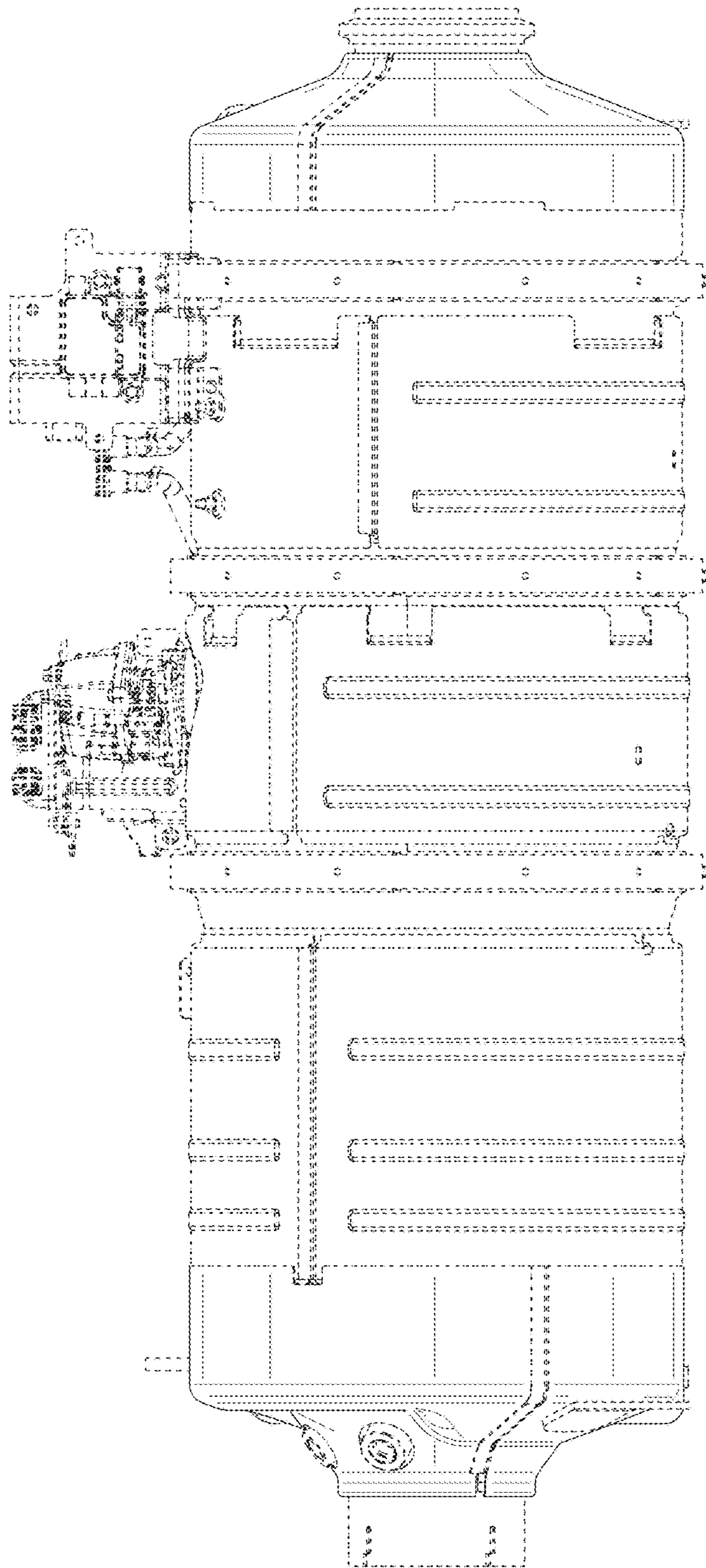


FIG. 7