



US00D831077S

(12) **United States Design Patent** (10) **Patent No.:** **US D831,077 S**
Baudoin (45) **Date of Patent:** **** Oct. 16, 2018**

(54) **VENTURI JET BASKET**

(71) Applicant: **KLX Inc.**, Wellington, FL (US)

(72) Inventor: **Toby Scott Baudoin**, Rayne, LA (US)

(**) Term: **15 Years**

(21) Appl. No.: **29/597,816**

(22) Filed: **Mar. 20, 2017**

(51) **LOC (11) Cl.** **15-03**

(52) **U.S. Cl.**
USPC **D15/21**

(58) **Field of Classification Search**
USPC D15/21, 10
CPC E21B 7/08
See application file for complete search history.

(56) **References Cited**

U.S. PATENT DOCUMENTS

2,819,039	A *	1/1958	Lindsay	E21B 7/062 175/73
4,813,497	A *	3/1989	Wenzel	E21B 7/067 166/237
4,836,303	A *	6/1989	Boulet	E21B 7/067 175/256
4,884,643	A *	12/1989	Wawrzynowski	E21B 7/067 166/237
D308,211	S *	5/1990	Magnera	D15/21
D312,464	S *	11/1990	Peterson	D15/11
5,094,305	A *	3/1992	Wenzel	E21B 7/067 175/101
5,125,463	A *	6/1992	Livingstone	E21B 7/067 166/237
5,450,914	A *	9/1995	Coram	E21B 7/06 175/113

(Continued)

Primary Examiner — Mark A Goodwin

(74) *Attorney, Agent, or Firm* — Duane Morris, LLP;
Diana M. Sangalli

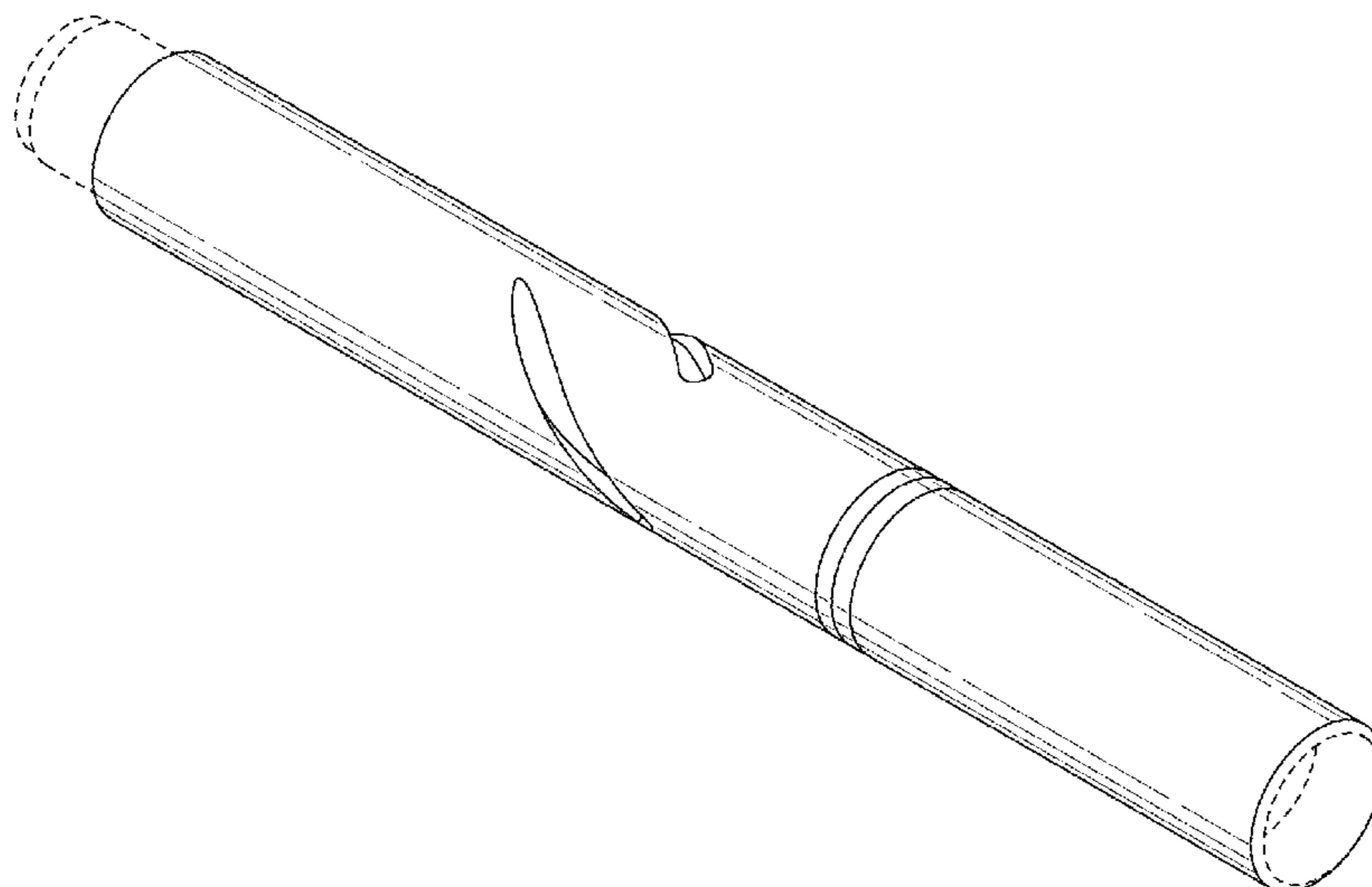
(57) **CLAIM**

The ornamental design for a venturi jet basket, as shown and described.

DESCRIPTION

FIG. 1 is a front side view of a first embodiment of the venturi jet basket;
 FIG. 2 is a rear side view of the first embodiment of the venturi jet basket;
 FIG. 3 is a bottom end view of the first embodiment of the venturi jet basket shown in FIG. 1;
 FIG. 4 is a top end view of the first embodiment of the venturi jet basket shown in FIG. 1;
 FIG. 5 is a cross-sectional view of the first embodiment of the venture jet basket;
 FIG. 6 is an isometric view of the first embodiment of the venturi jet basket.
 FIG. 7 is a front side view of a second embodiment of the venturi jet basket;
 FIG. 8 is a rear side view of the second embodiment of the venturi jet basket;
 FIG. 9 is a right end view of the second embodiment of the venturi jet basket shown in FIG. 7;
 FIG. 10 is a left end view of the second embodiment of the venturi jet basket shown in FIG. 7;
 FIG. 11 is an isometric view of the second embodiment of the venturi jet basket;
 FIG. 12 is a front side view of a third embodiment of the venturi jet basket;
 FIG. 13 is a rear side view of the third embodiment of the venturi jet basket;
 FIG. 14 is a left end view of the third embodiment of the venturi jet basket shown in FIG. 12;
 FIG. 15 is a right end view of the third embodiment of the venturi jet basket shown in FIG. 12; and,
 FIG. 16 is an isometric view of the third embodiment of the venturi jet basket.
 The portions of the venturi jet basket illustrated in broken lines in FIGS. 1-16 form no part of the claimed design.

1 Claim, 6 Drawing Sheets



(56)

References Cited

U.S. PATENT DOCUMENTS

5,503,235 A * 4/1996 Falgout, Sr. E21B 7/067
175/107
5,934,383 A * 8/1999 Jurgens E21B 7/06
173/91
5,941,323 A * 8/1999 Warren E21B 7/062
175/74
6,328,119 B1 * 12/2001 Gillis E21B 7/062
175/325.1
RE39,970 E * 1/2008 Askew E21B 7/067
175/61
D632,309 S * 2/2011 Coyle, Jr. D15/21
D632,310 S * 2/2011 Coyle, Jr. D15/21
D643,443 S * 8/2011 Drenth D15/21
D673,182 S * 12/2012 Frazier D15/21

* cited by examiner

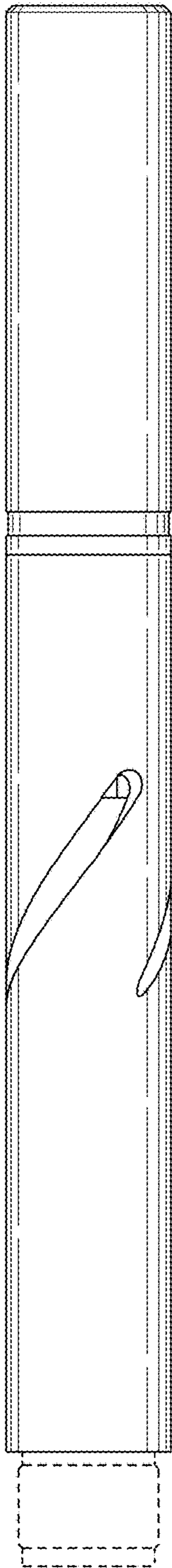


FIG. 1

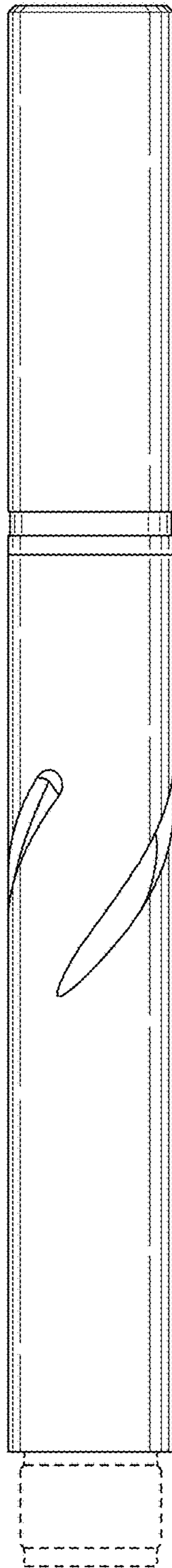


FIG. 2

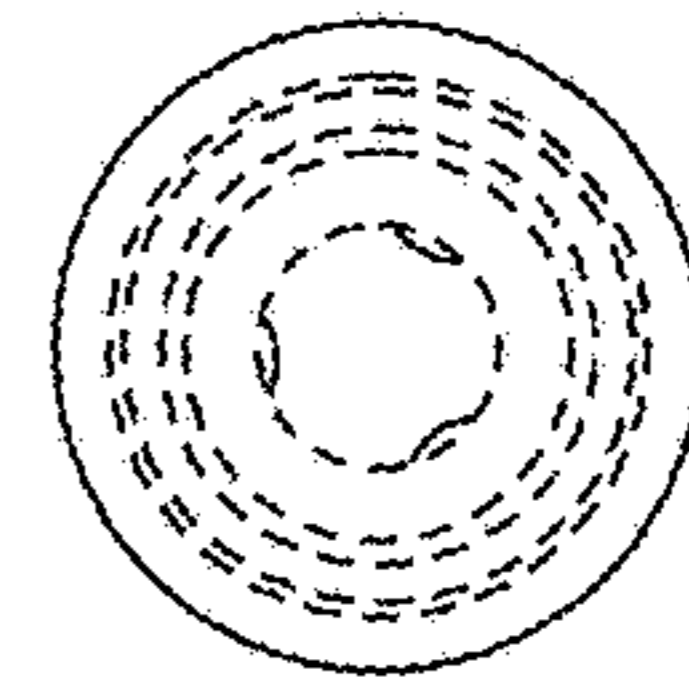


FIG. 3

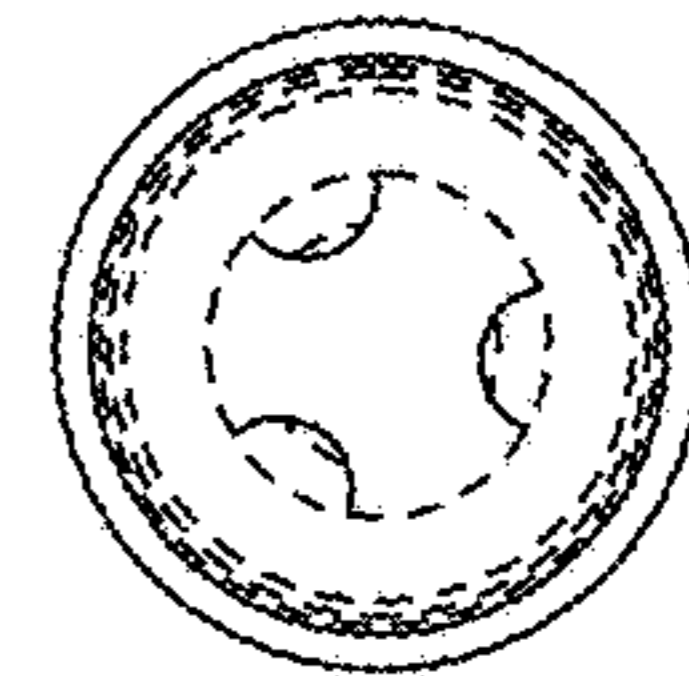


FIG. 4

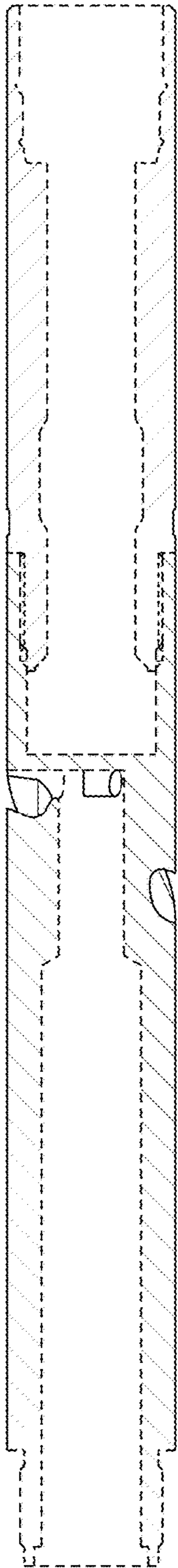


FIG. 5

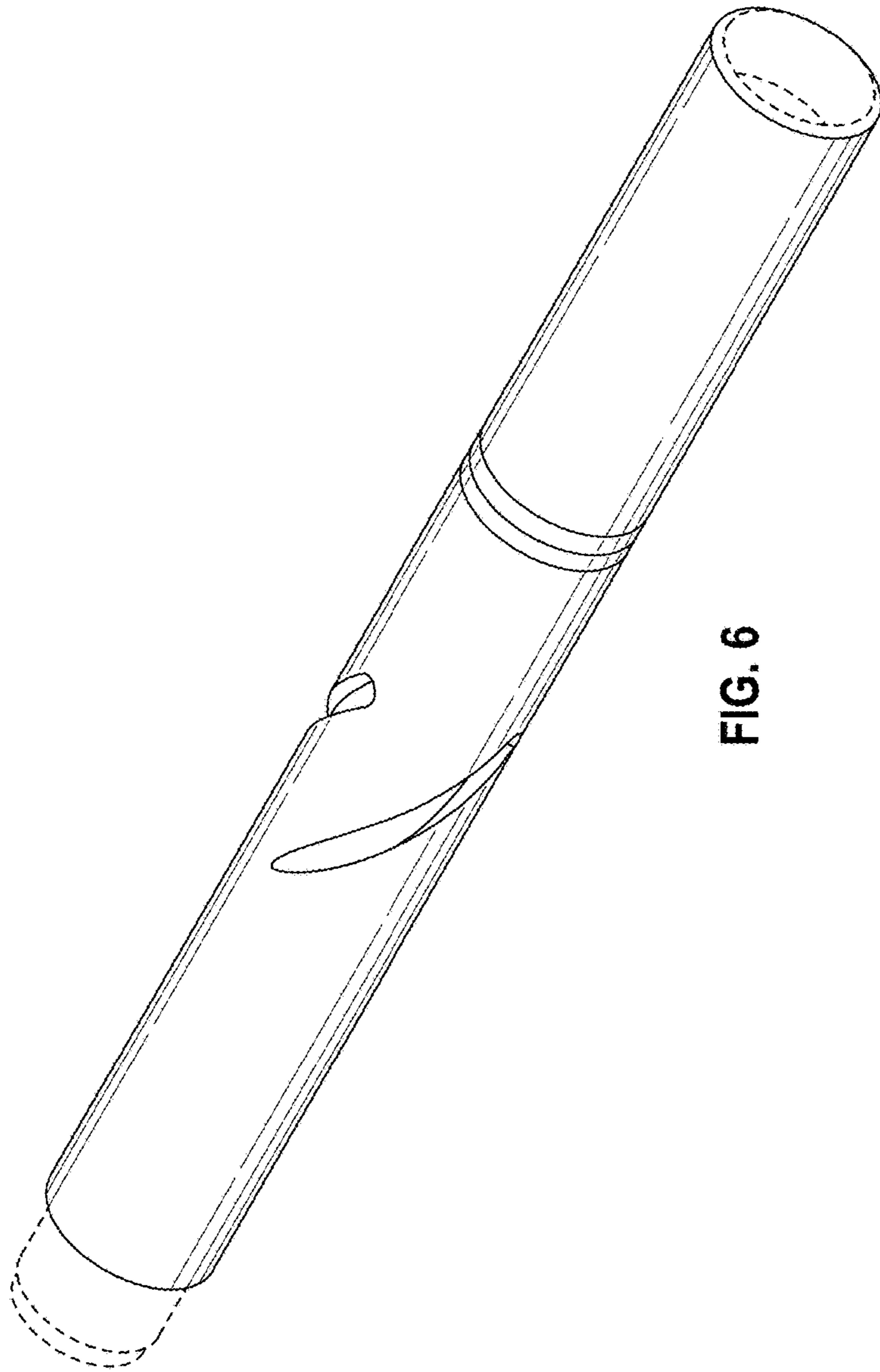


FIG. 6

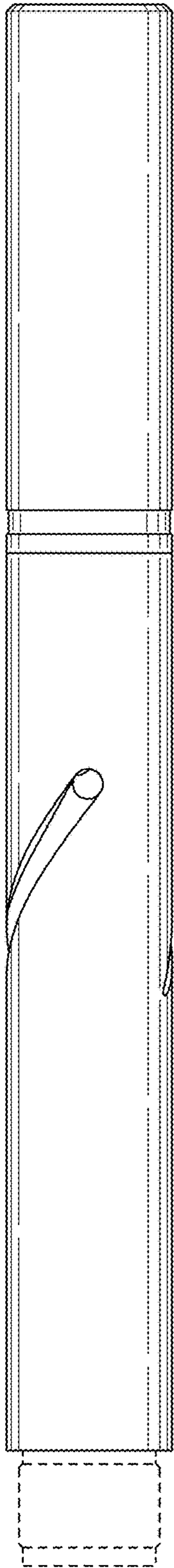


FIG. 7

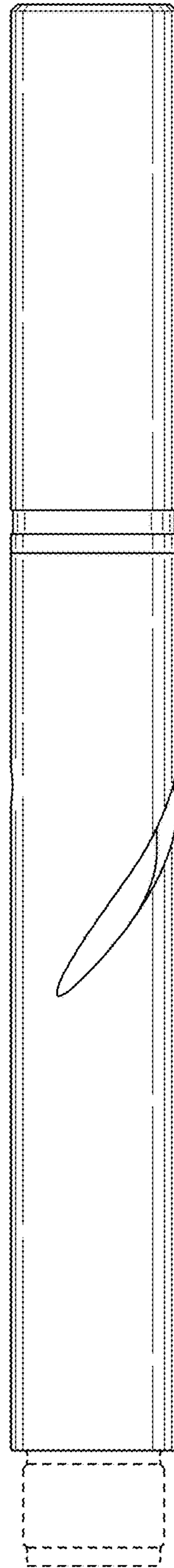


FIG. 8

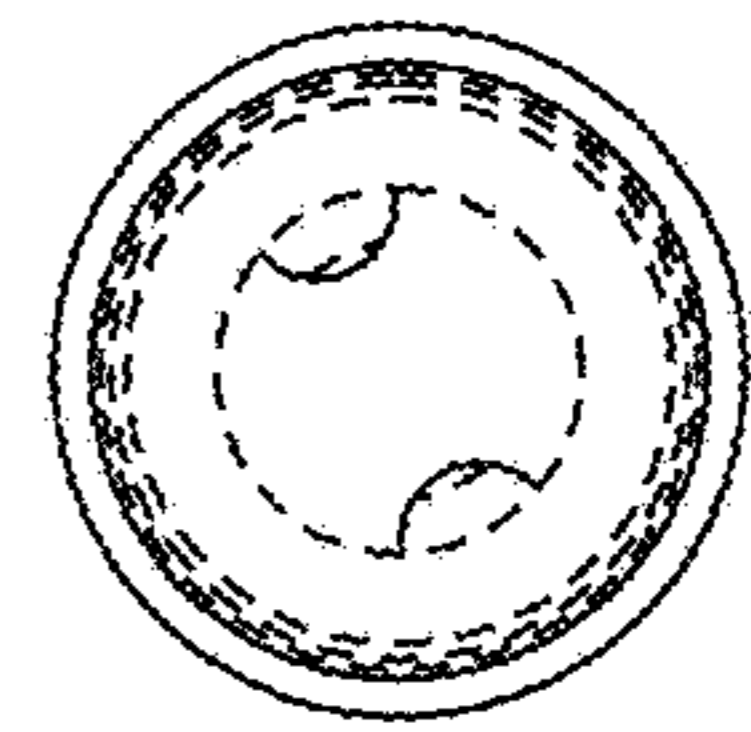


FIG. 9

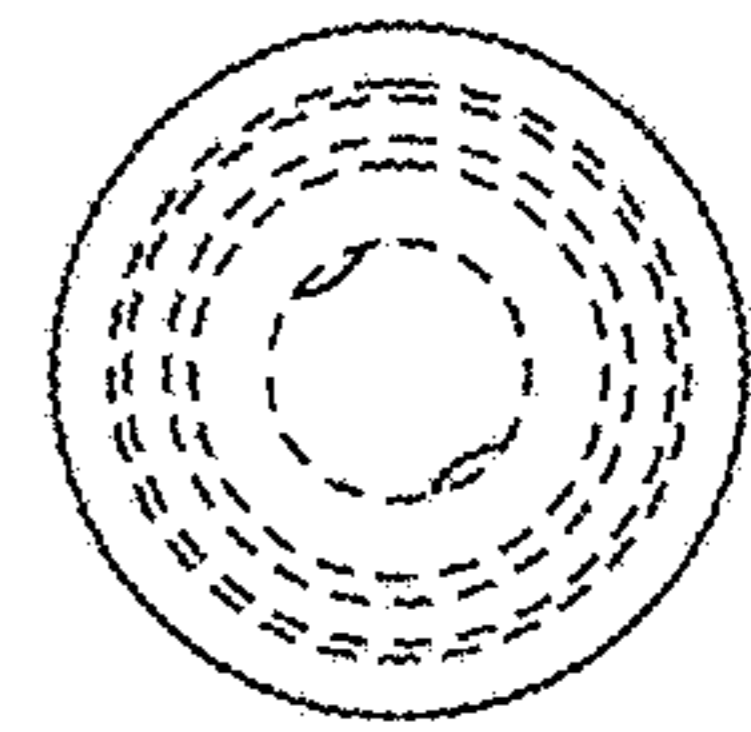


FIG. 10

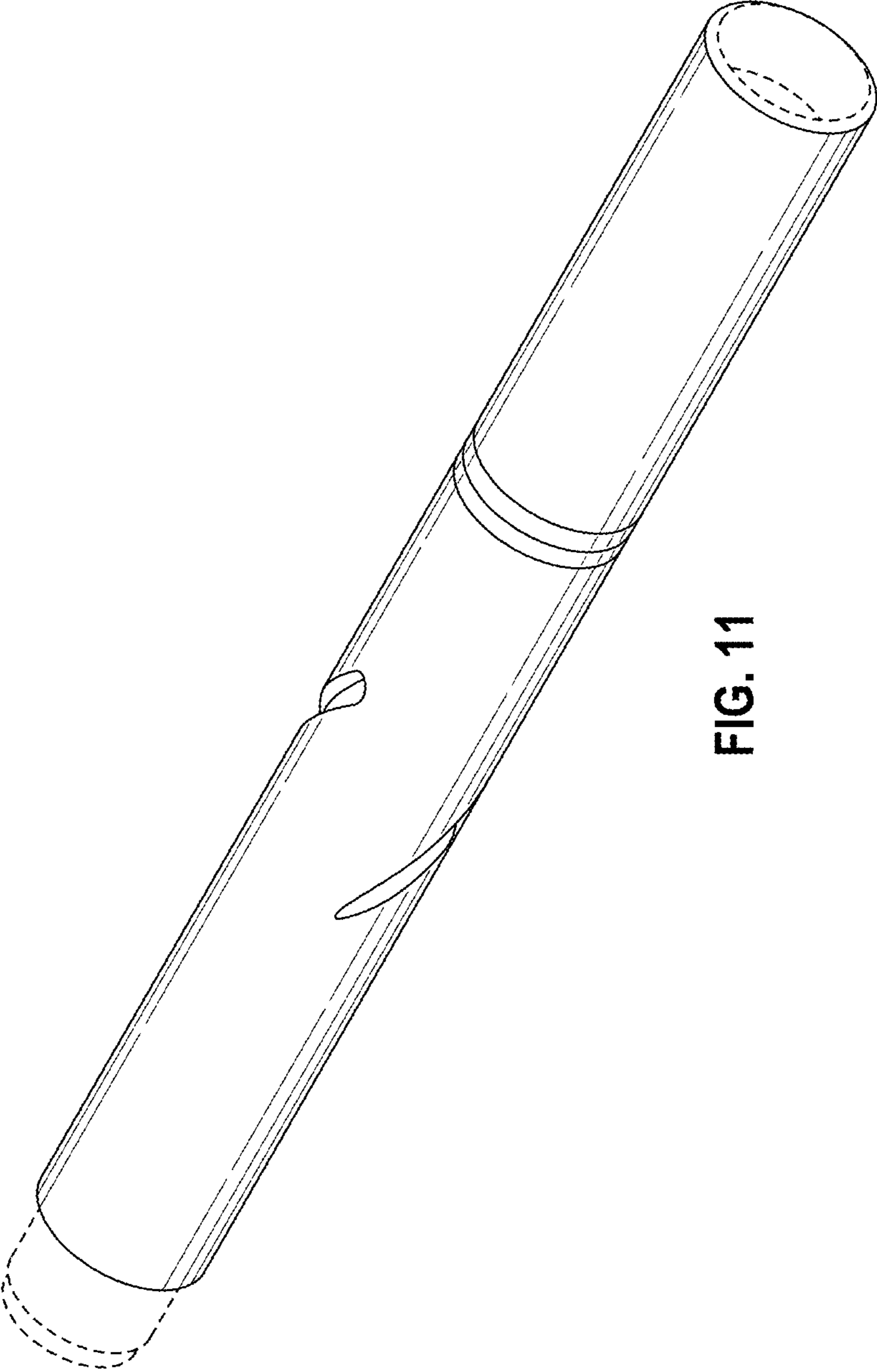


FIG. 11

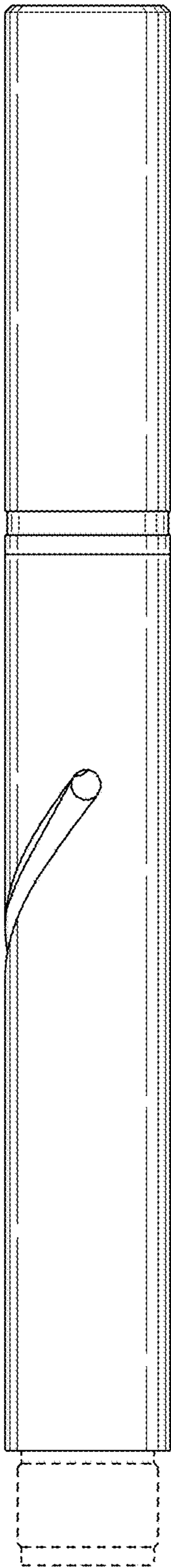


FIG. 12

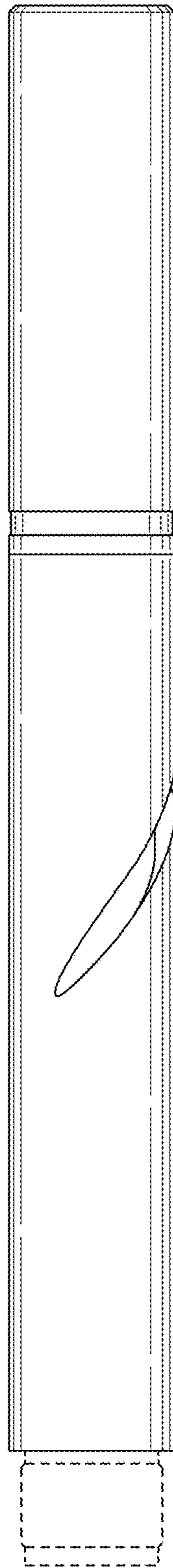


FIG. 13

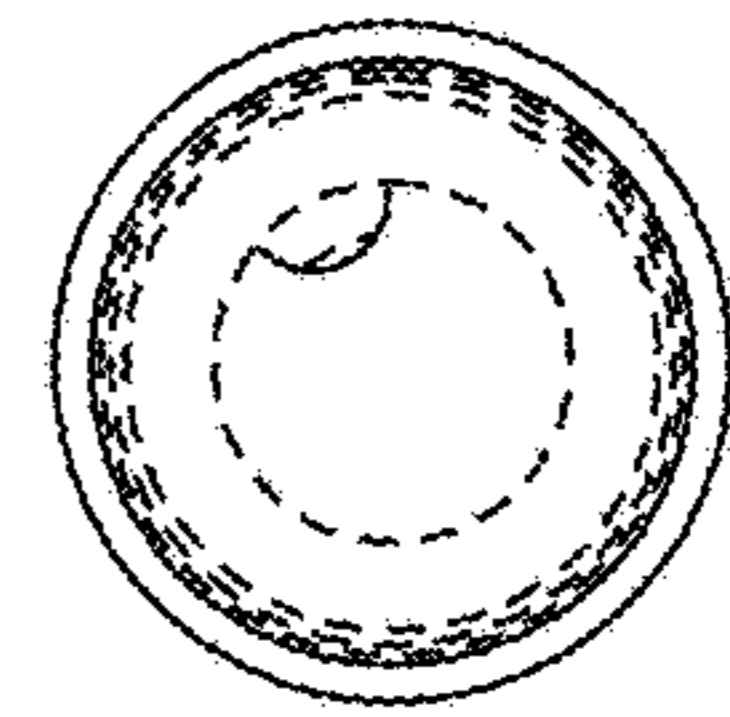


FIG. 14

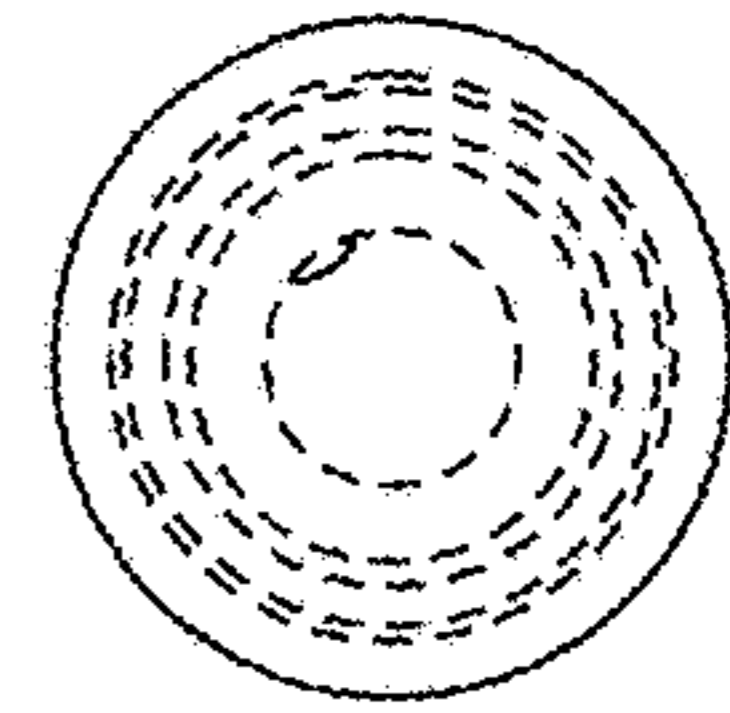


FIG. 15

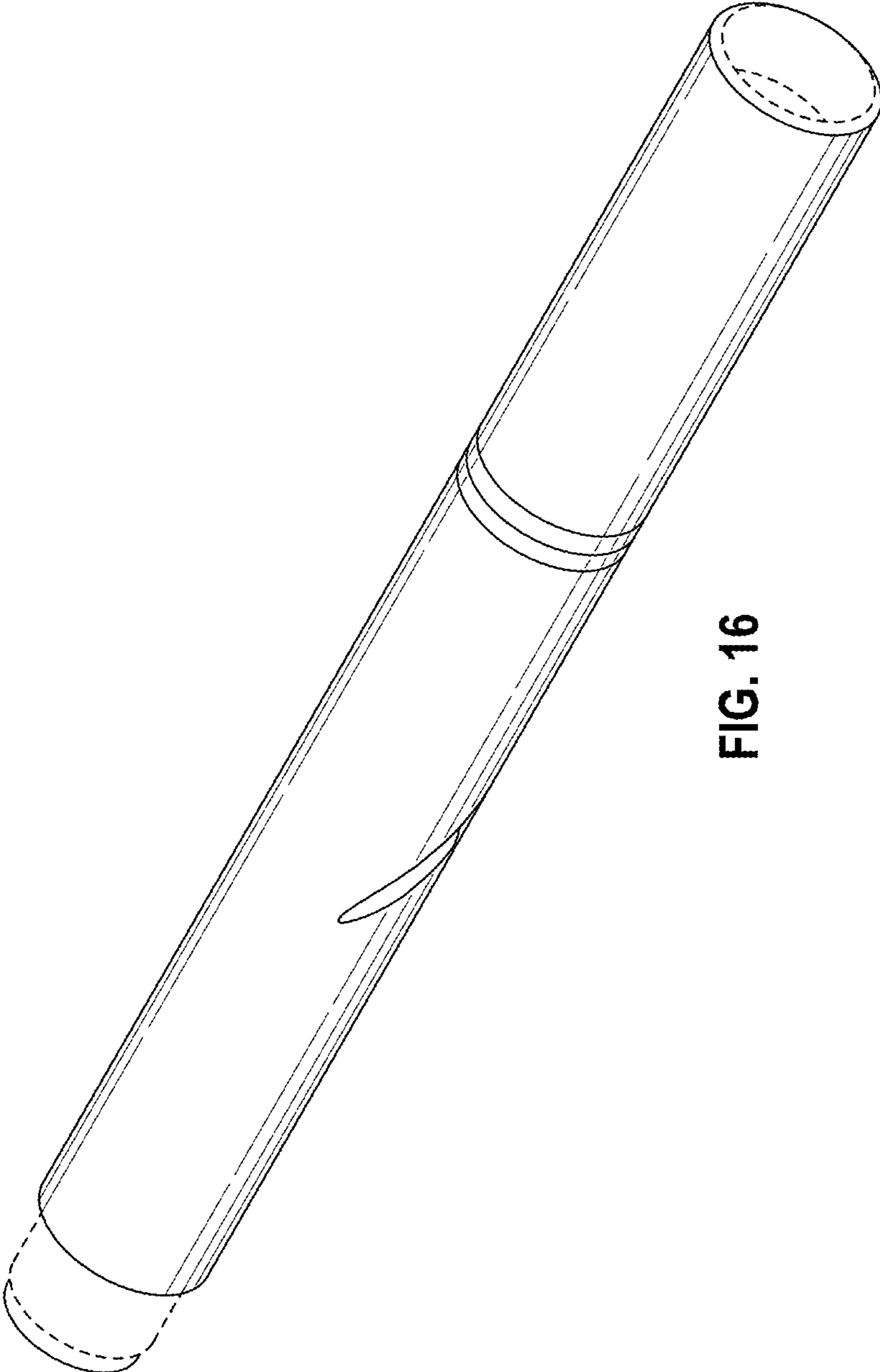


FIG. 16