



US00D831076S

(12) **United States Design Patent**
Ekberg et al.

(10) **Patent No.:** **US D831,076 S**
(45) **Date of Patent:** **** Oct. 16, 2018**

- (54) **LAWNMOWER POWERHEAD**
- (71) Applicant: **Sunrise Global Marketing LLC**,
Mooreville, NC (US)
- (72) Inventors: **Emma Ekberg**, Gothenburg (SE);
Johan Ortlund, Odeshog (SE); **Nick**
Suchoza, Huntersville, NC (US); **Sheng**
Li, Jiangsu (CN)
- (73) Assignee: **Sunrise Global Marketing LLC**,
Mooreville, NC (US)
- (**) Term: **15 Years**
- (21) Appl. No.: **29/619,167**
- (22) Filed: **Sep. 27, 2017**
- (51) **LOC (11) Cl.** **15-03**
- (52) **U.S. Cl.**
USPC **D15/17**
- (58) **Field of Classification Search**
USPC D15/10, 14-18; 56/12.8, 12.7, 13.4,
56/16.7, 17.5, 202, 254, 255, 294, 11.4,
56/320.1, 320.2, 249, 252, 11.9, 17.1,
56/17.4, 295; 280/43.17
CPC A01D 42/04; A01D 42/00; A01D 2101/00;
A01D 34/63; A01D 43/063
See application file for complete search history.

- 5,819,513 A * 10/1998 Braun A01D 34/6806
56/11.9
- 5,894,715 A * 4/1999 Braun A01D 34/6806
56/11.9
- 5,910,091 A * 6/1999 Iida A01D 34/78
56/16.7
- D422,605 S * 4/2000 Danthois D15/17
- 6,922,981 B1 * 8/2005 Tyree A01B 33/06
56/12.7
- D528,562 S * 9/2006 Zuo D15/1
- D784,420 S * 4/2017 Zhang D15/14
- D785,048 S * 4/2017 Zhang D15/14
- 9,787,225 B2 * 10/2017 Lucas H02P 4/00

* cited by examiner

Primary Examiner — Mark Goodwin
(74) *Attorney, Agent, or Firm* — Wood Herron & Evans
LLP

(57) **CLAIM**

The ornamental design for a lawnmower powerhead, as shown and described.

DESCRIPTION

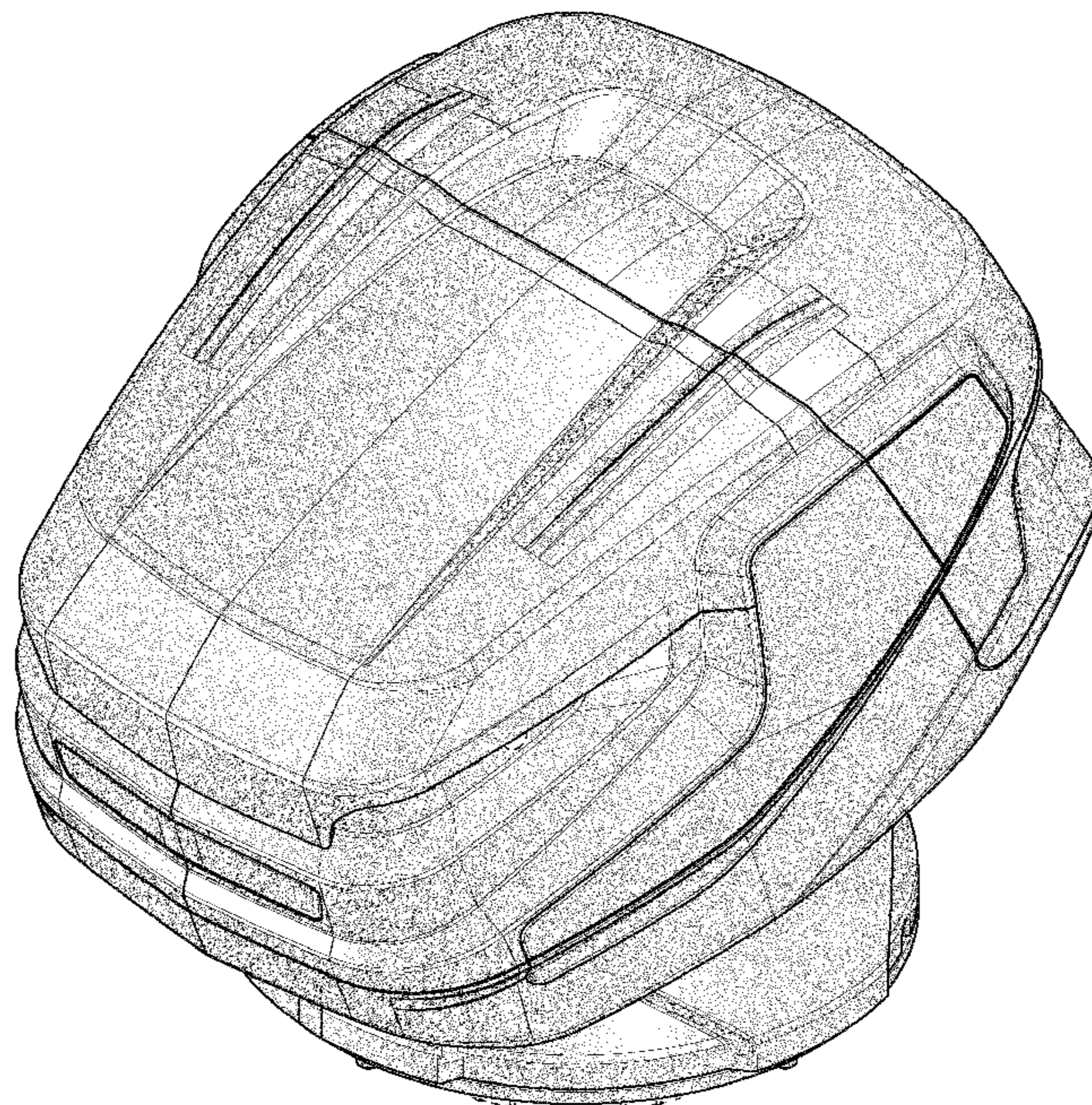
FIG. 1 is front perspective view of a lawnmower powerhead according to the present invention.
FIG. 2 is a rear perspective view thereof.
FIG. 3 is a front view thereof.
FIG. 4 is a rear view thereof.
FIG. 5 is a left side view thereof.
FIG. 6 is a right side view thereof.
FIG. 7 is a top view thereof; and,
FIG. 8 is a bottom view thereof.
Any elements shown in broken lines in the Figures form no part of the claimed invention, and are instead included to show environmental aspects of the claimed invention.

(56) **References Cited**

U.S. PATENT DOCUMENTS

- D375,963 S * 11/1996 Braun D15/17
- D390,576 S * 2/1998 Shimamura D15/14
- 5,787,693 A * 8/1998 Dyke A01B 33/028
56/11.9

1 Claim, 8 Drawing Sheets



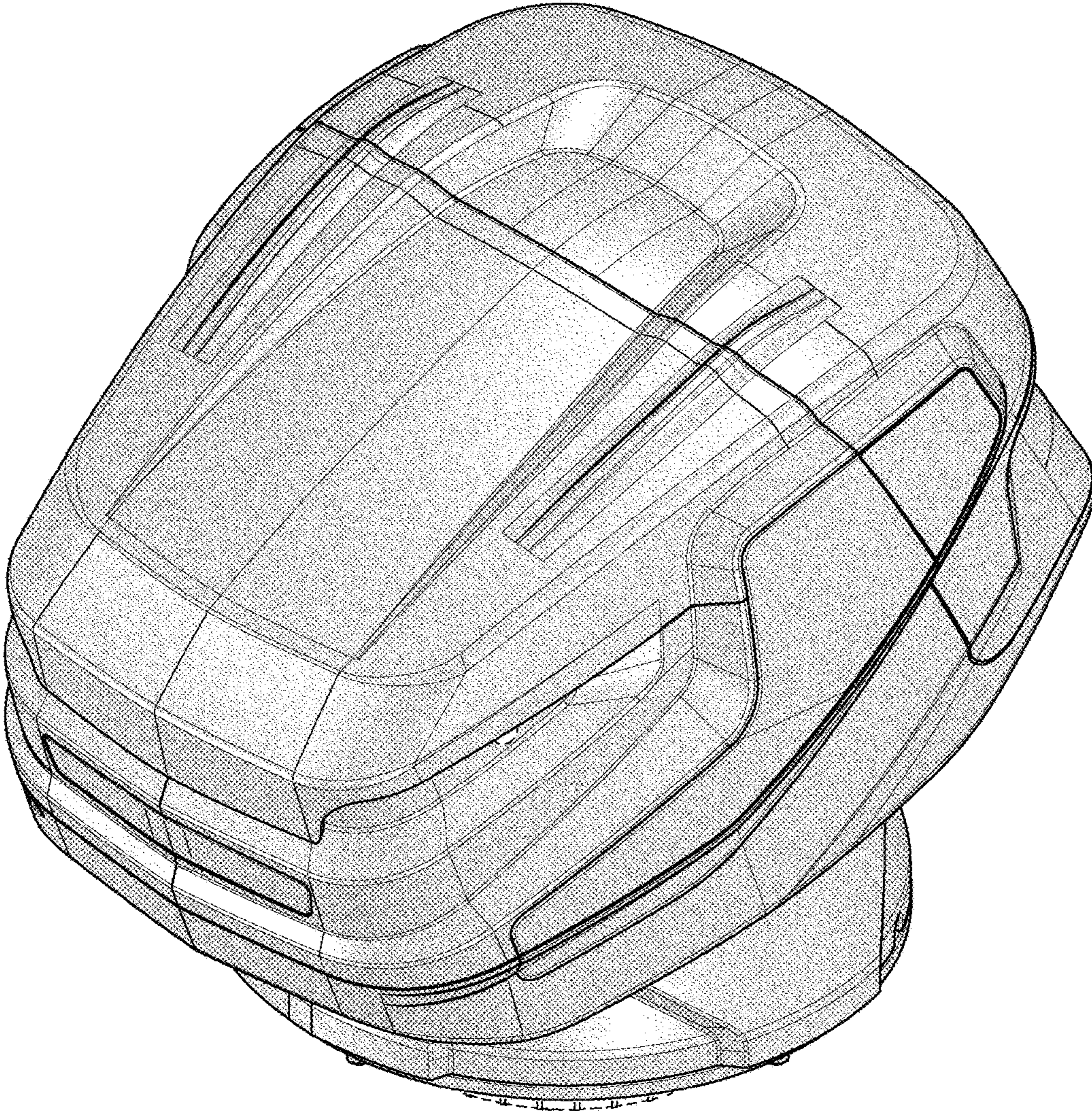


FIG. 1

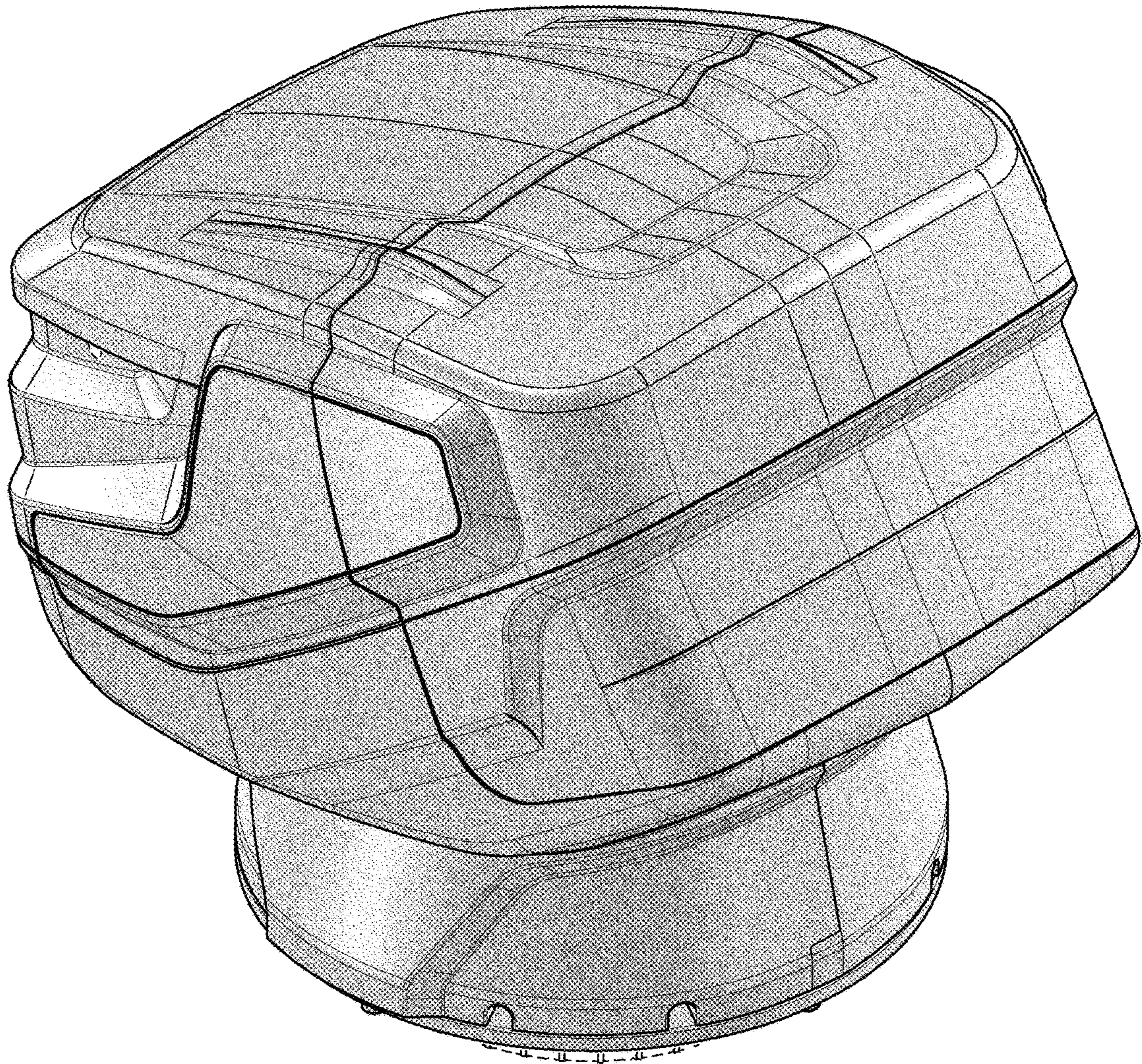


FIG. 2

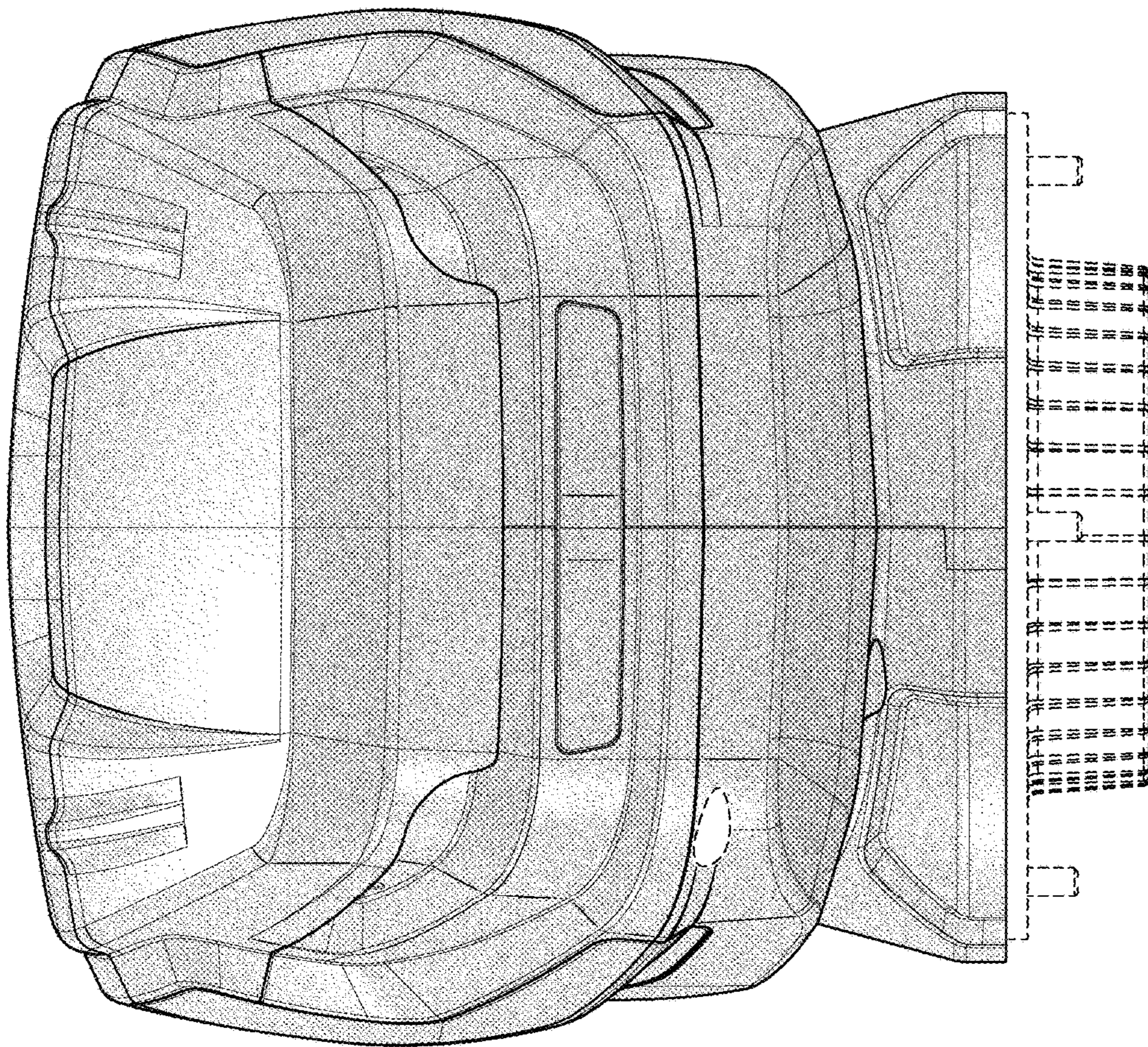


FIG. 3

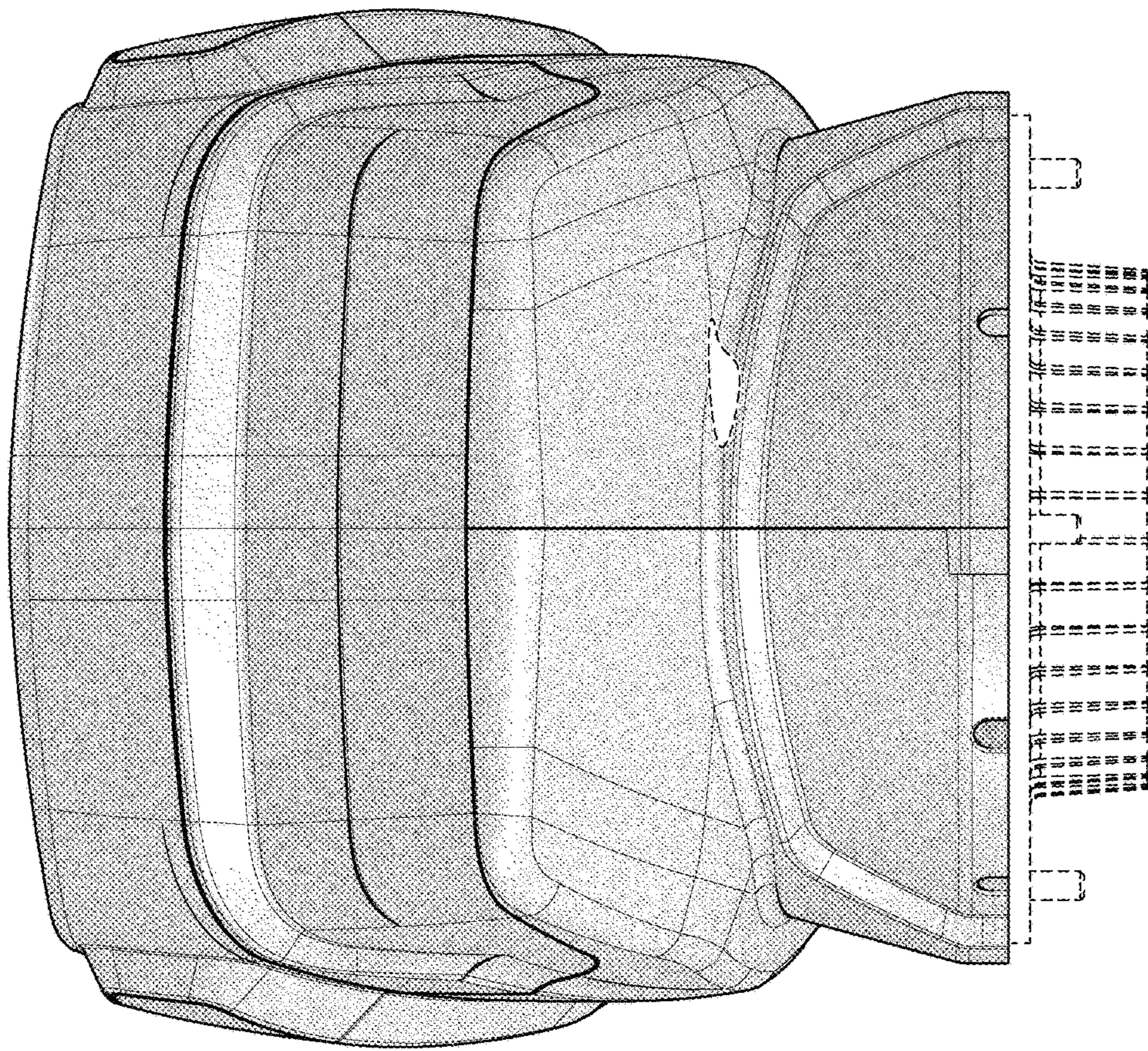


FIG. 4

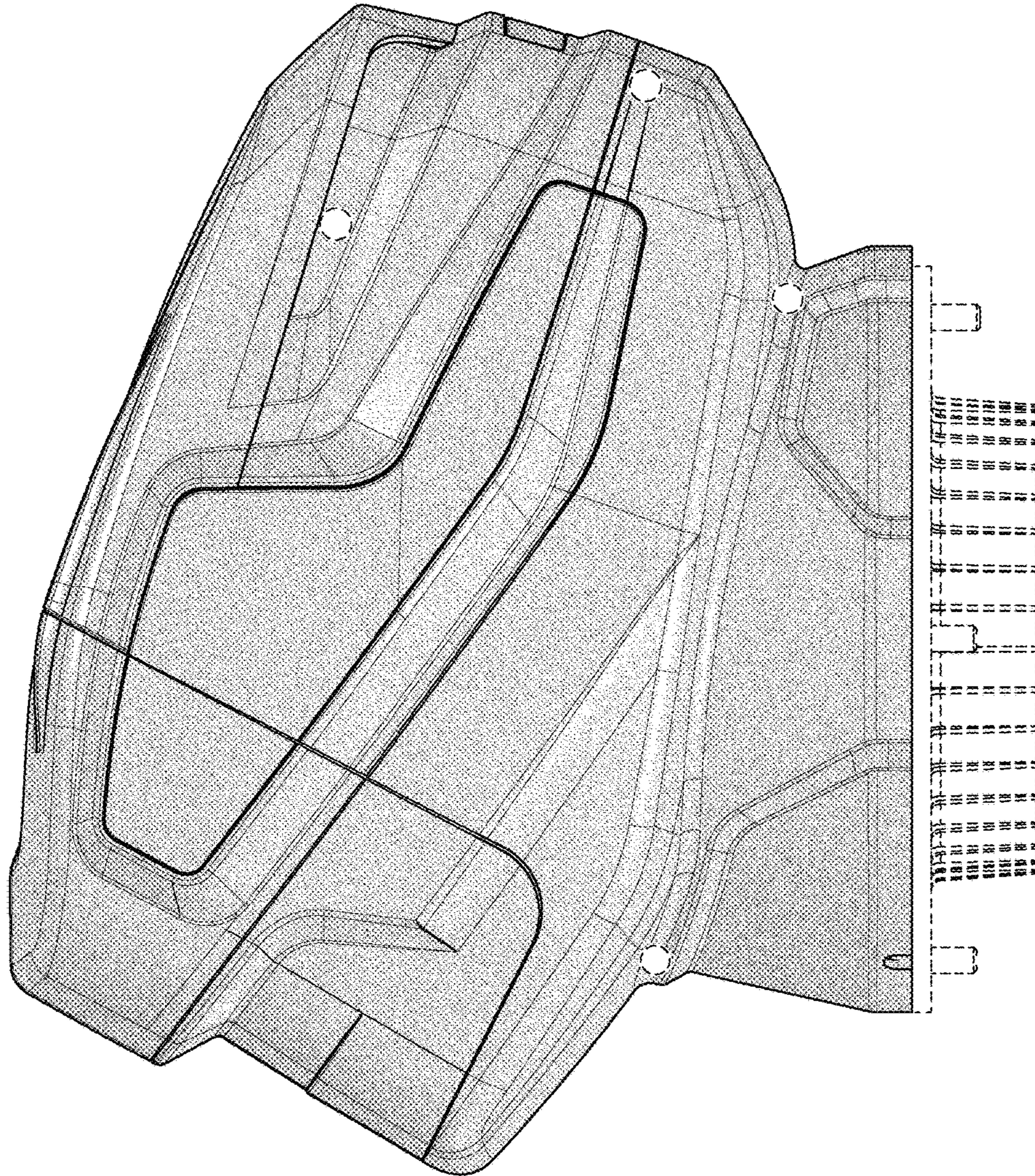


FIG. 5

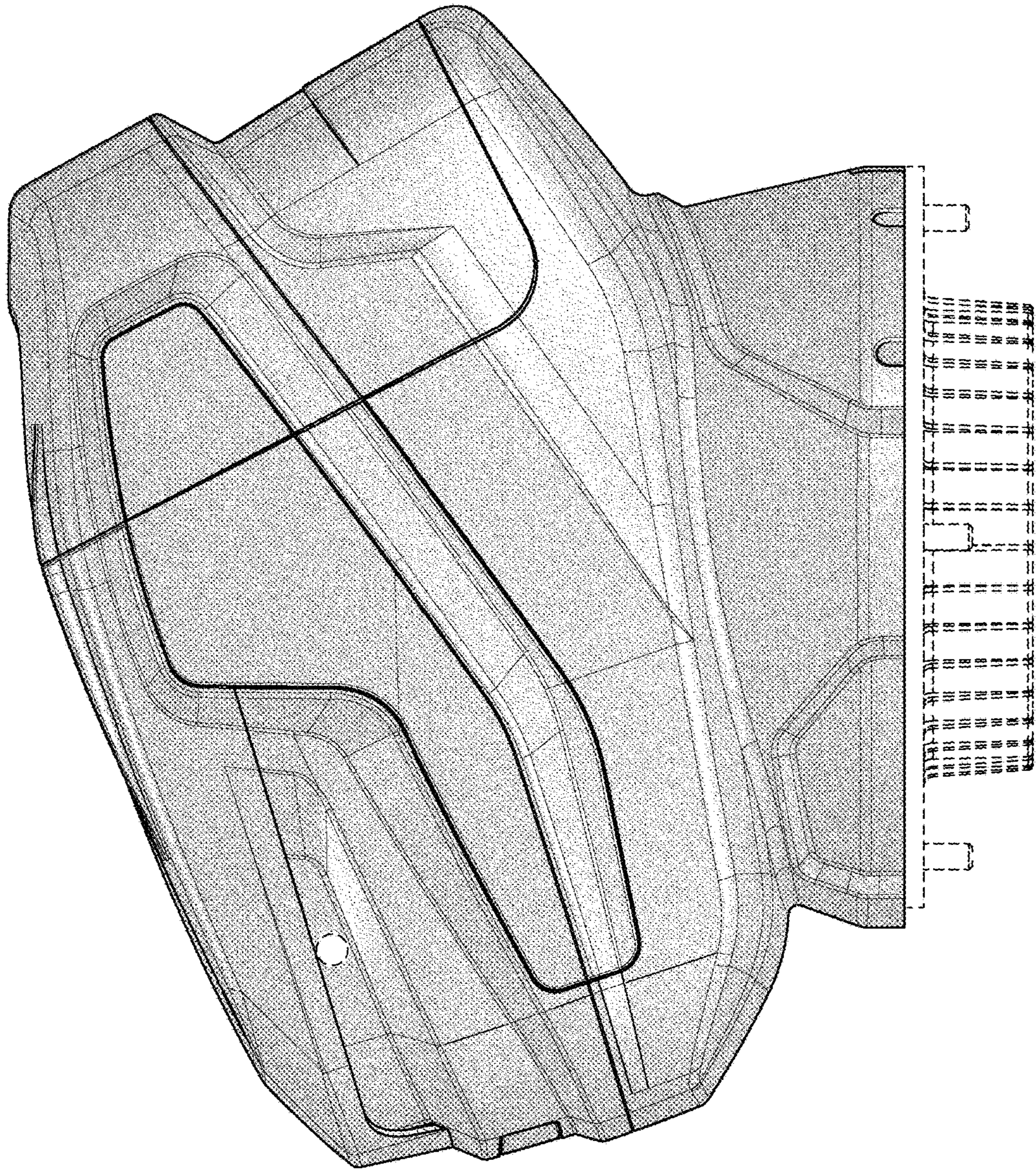


FIG. 6

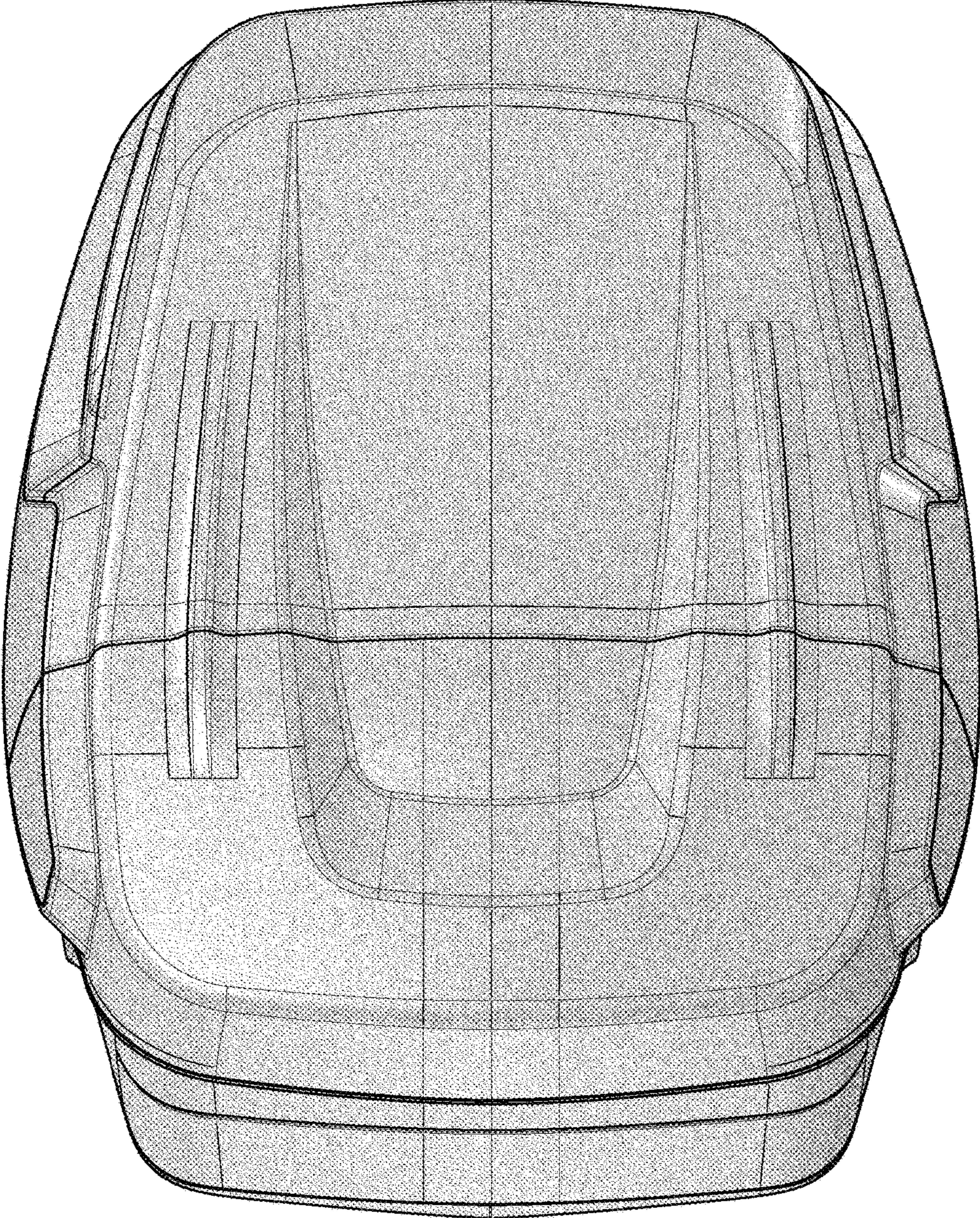


FIG. 7

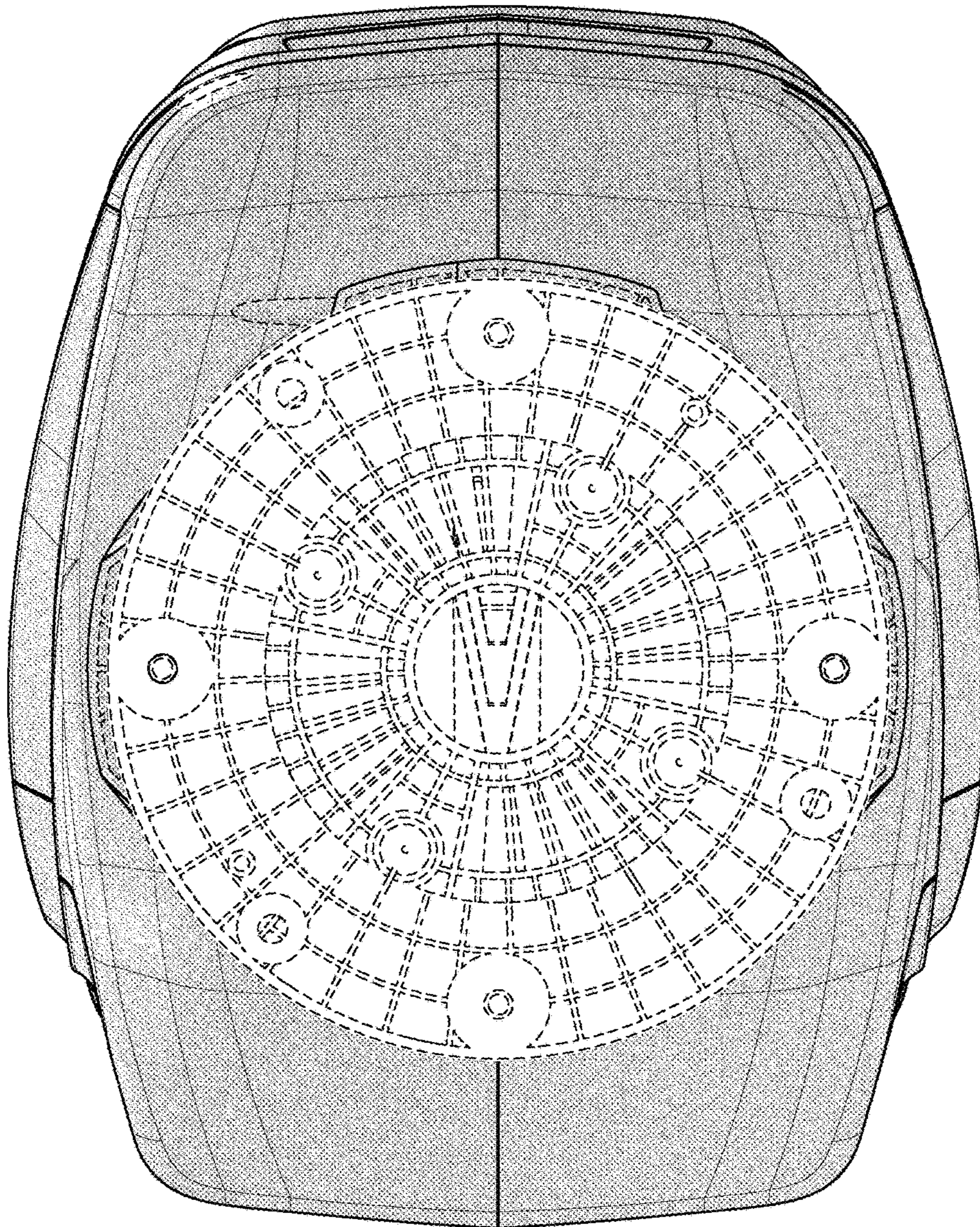


FIG. 8