



US00D831075S

(12) **United States Design Patent**
Zheng

(10) **Patent No.:** **US D831,075 S**
(45) **Date of Patent:** **** Oct. 16, 2018**

(54) **VEHICULAR INFLATOR PUMP**

(71) Applicant: **Da Zheng**, Zhejiang (CN)

(72) Inventor: **Da Zheng**, Zhejiang (CN)

(**) Term: **15 Years**

(21) Appl. No.: **29/622,192**

(22) Filed: **Oct. 16, 2017**

(51) **LOC (11) Cl.** **15-02**

(52) **U.S. Cl.**
USPC **D15/7**

(58) **Field of Classification Search**

USPC D15/7-9; D23/231, 232, 225; 417/60,
417/235, 265, 321, 355, 358, 363, 359,
417/410.1, 415-416, 405, 900, 269, 539,
417/234; 60/408, 412; 184/26-37;
415/140-147; 123/495, 509; 137/565.34
CPC F02M 37/04; F02M 37/14; F04B 53/92;
F04B 1/005
See application file for complete search history.

(56) **References Cited**

U.S. PATENT DOCUMENTS

D327,482 S * 6/1992 Wang D15/7
D398,011 S * 9/1998 Wang D15/9

D406,150 S * 2/1999 Wang D15/9
D470,865 S * 2/2003 Wang D15/9
D541,823 S * 5/2007 Wang D15/9
D588,164 S * 3/2009 Steinfeld D15/9
D590,841 S * 4/2009 Muhlenberend D15/7
D624,936 S * 10/2010 Houghton D15/9

* cited by examiner

Primary Examiner — Ralf Seifert

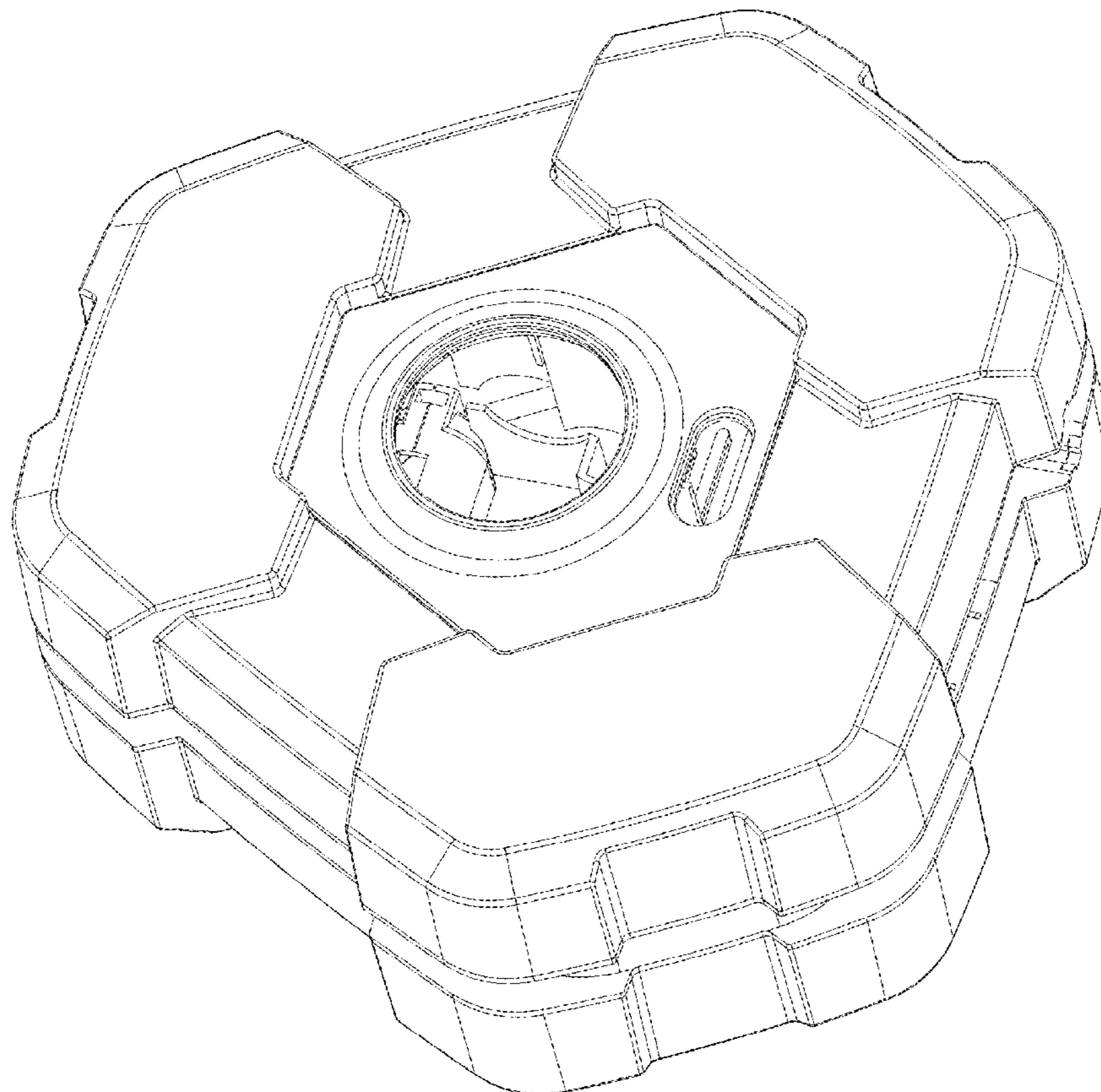
(57) **CLAIM**

The ornamental design for a vehicular inflator pump, as shown.

DESCRIPTION

FIG. 1 is a front elevational view of a vehicular inflator pump showing my new design;
FIG. 2 is a rear elevational view thereof;
FIG. 3 is a left side view thereof;
FIG. 4 is a right side view thereof;
FIG. 5 is a top plan view thereof;
FIG. 6 is a bottom plan view thereof;
FIG. 7 is a perspective view thereof;
FIG. 8 is a second perspective view thereof;
FIG. 9 is a third perspective view thereof;
FIG. 10 is a fourth perspective view thereof;
FIG. 11 is a fifth perspective view thereof; and,
FIG. 12 is a sixth perspective view thereof.

1 Claim, 10 Drawing Sheets



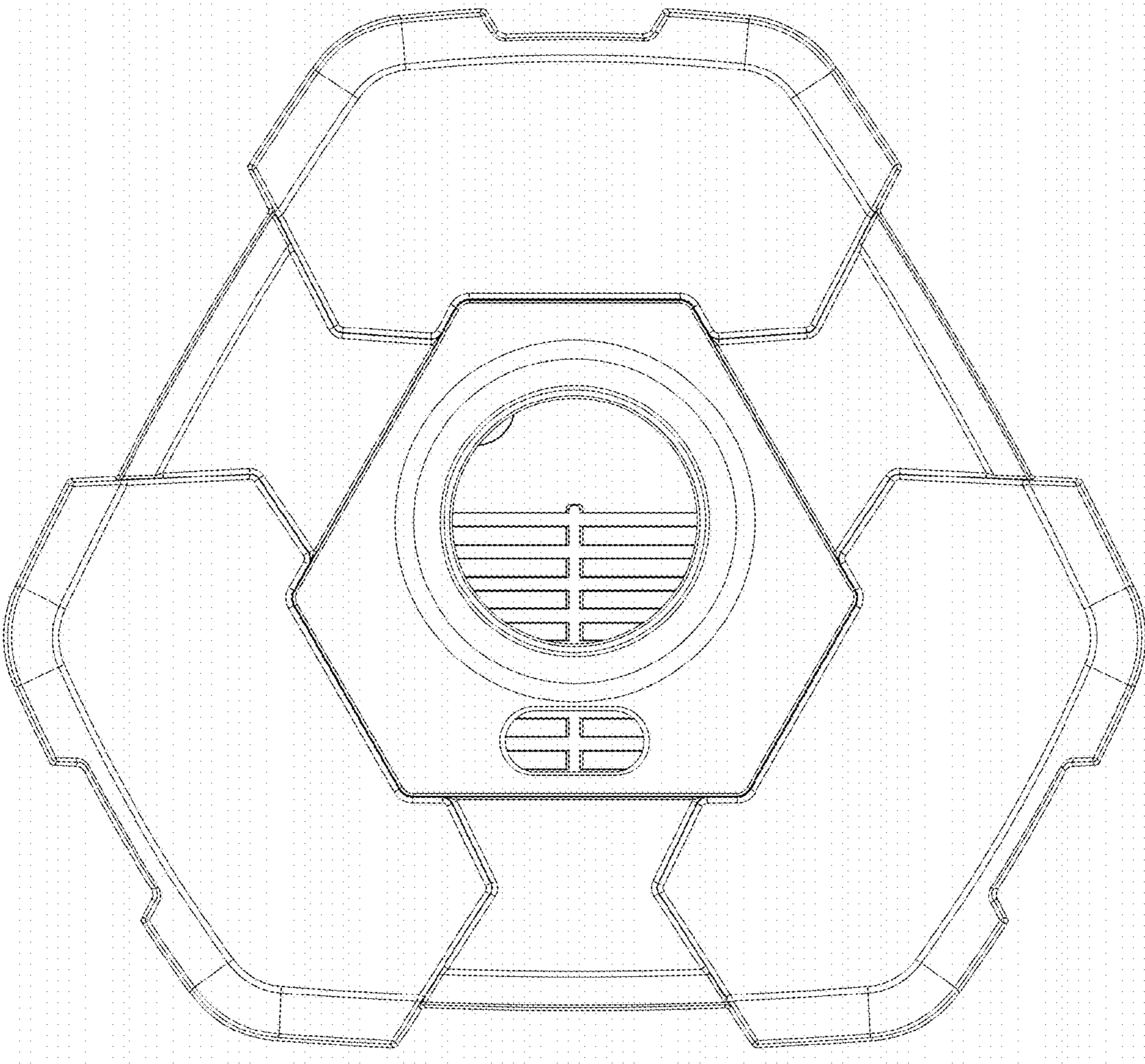


FIG. 1

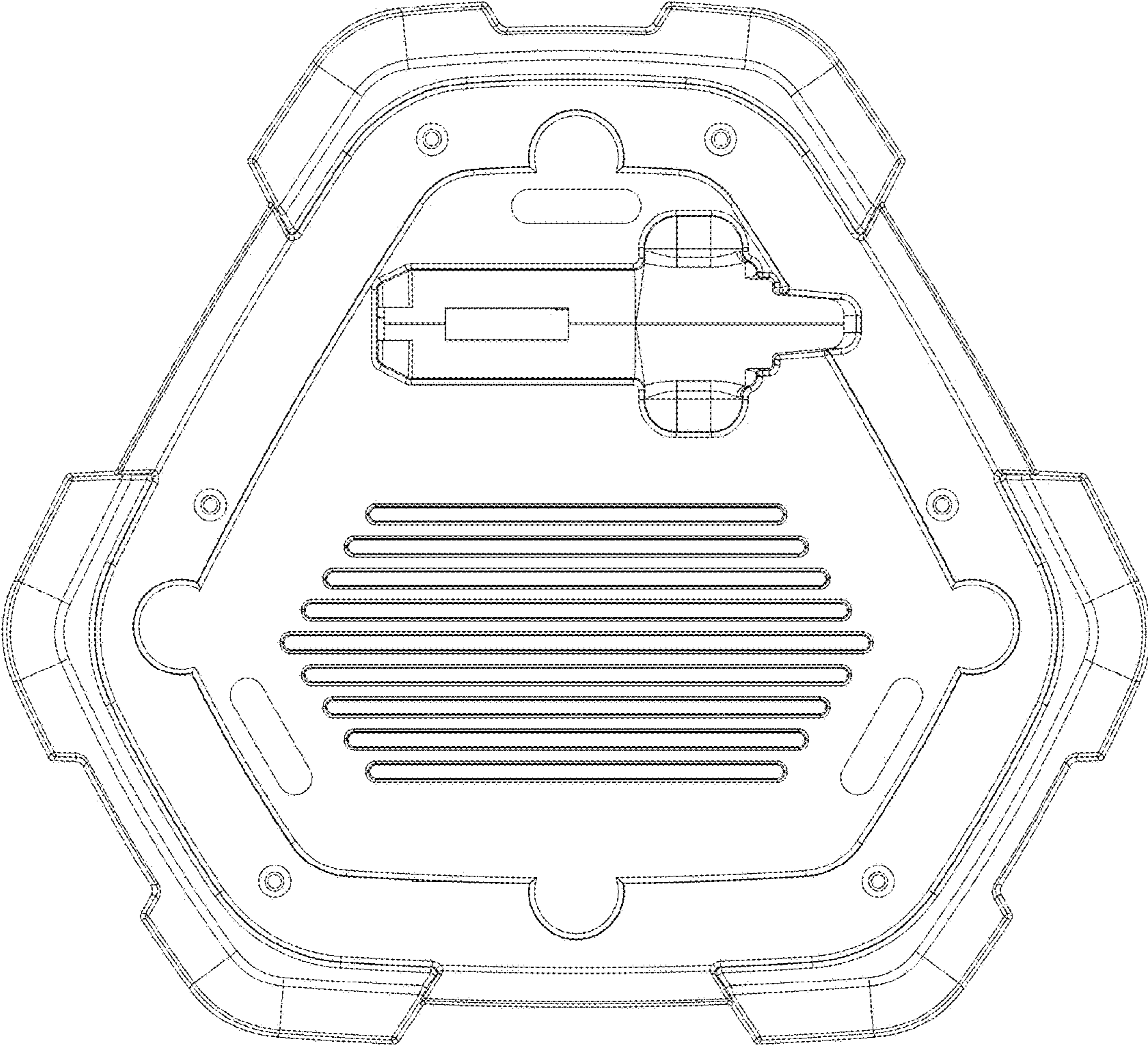


FIG. 2

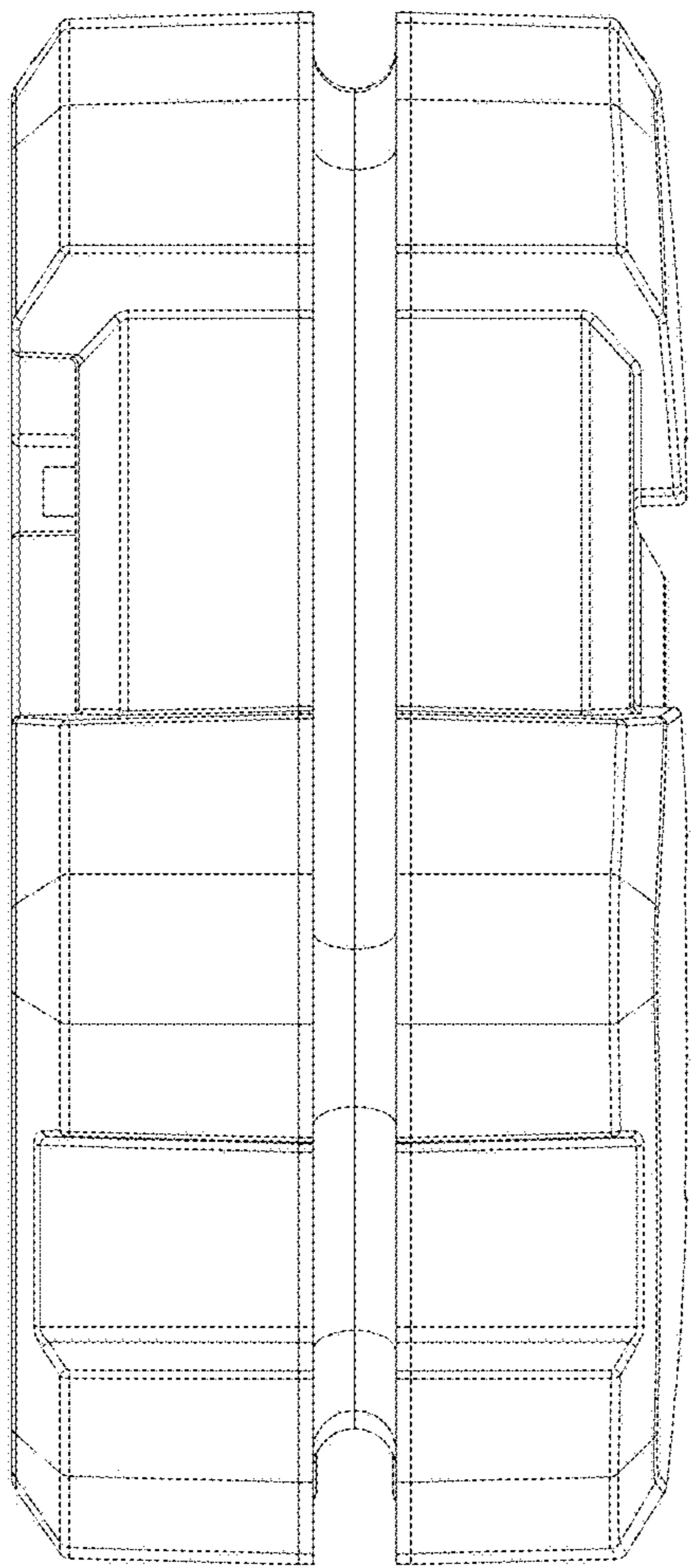


FIG. 3

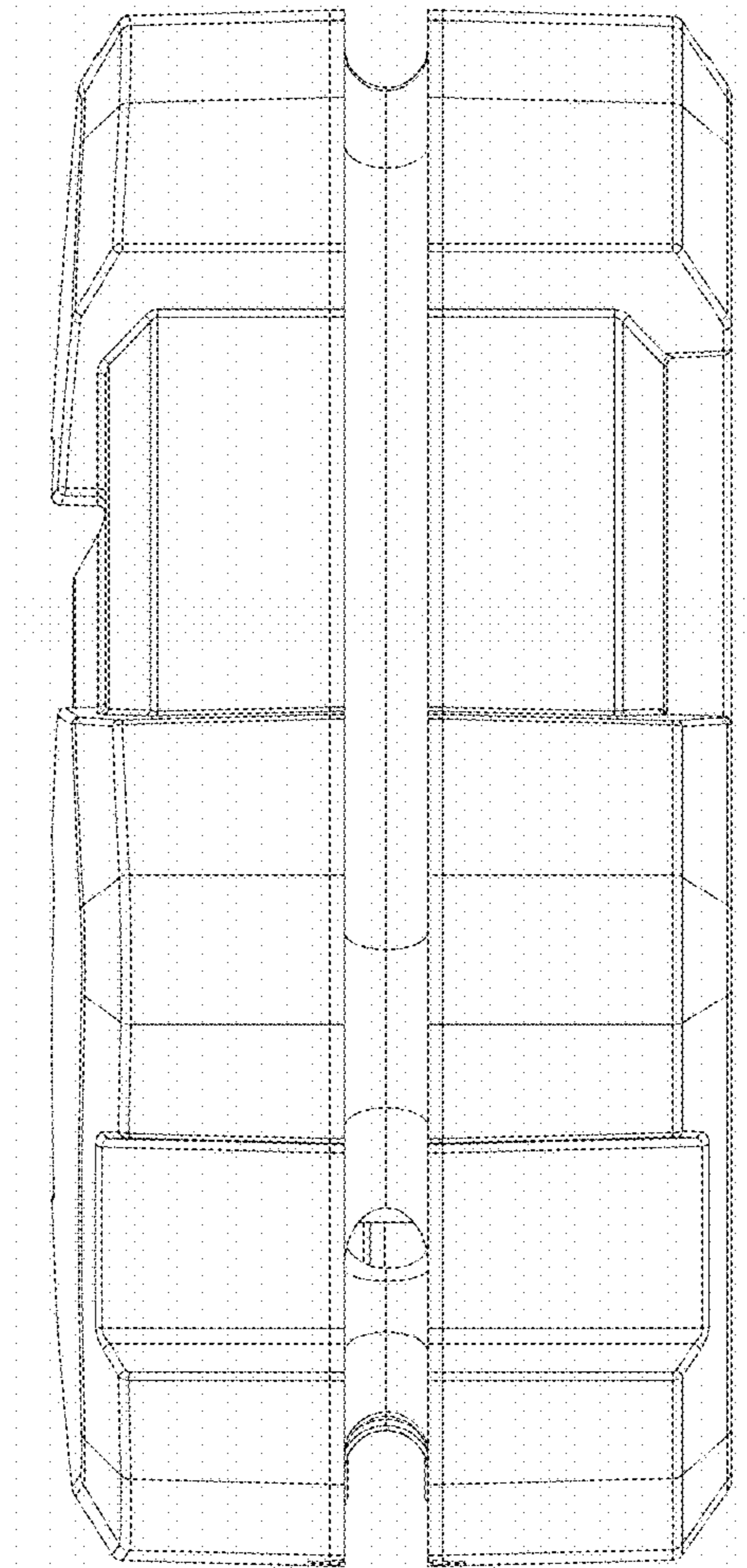


FIG. 4

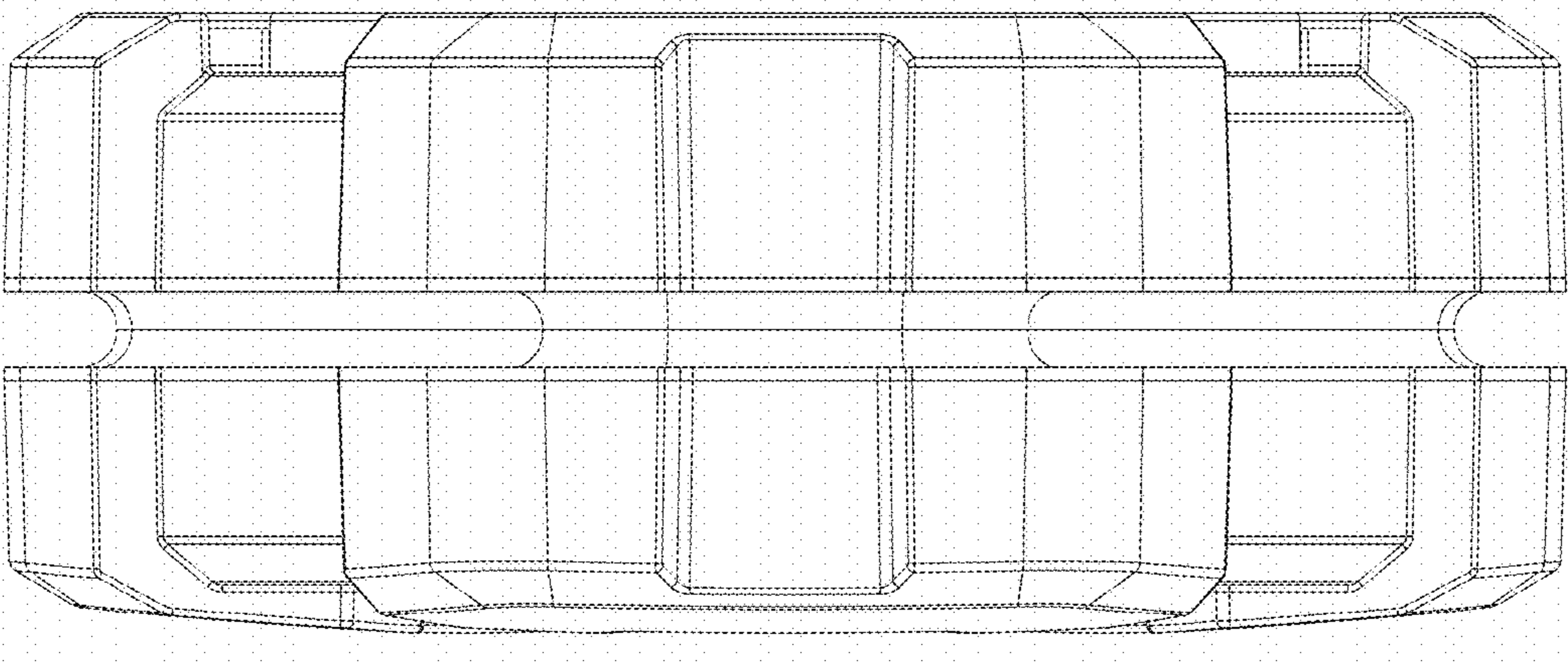


FIG. 5

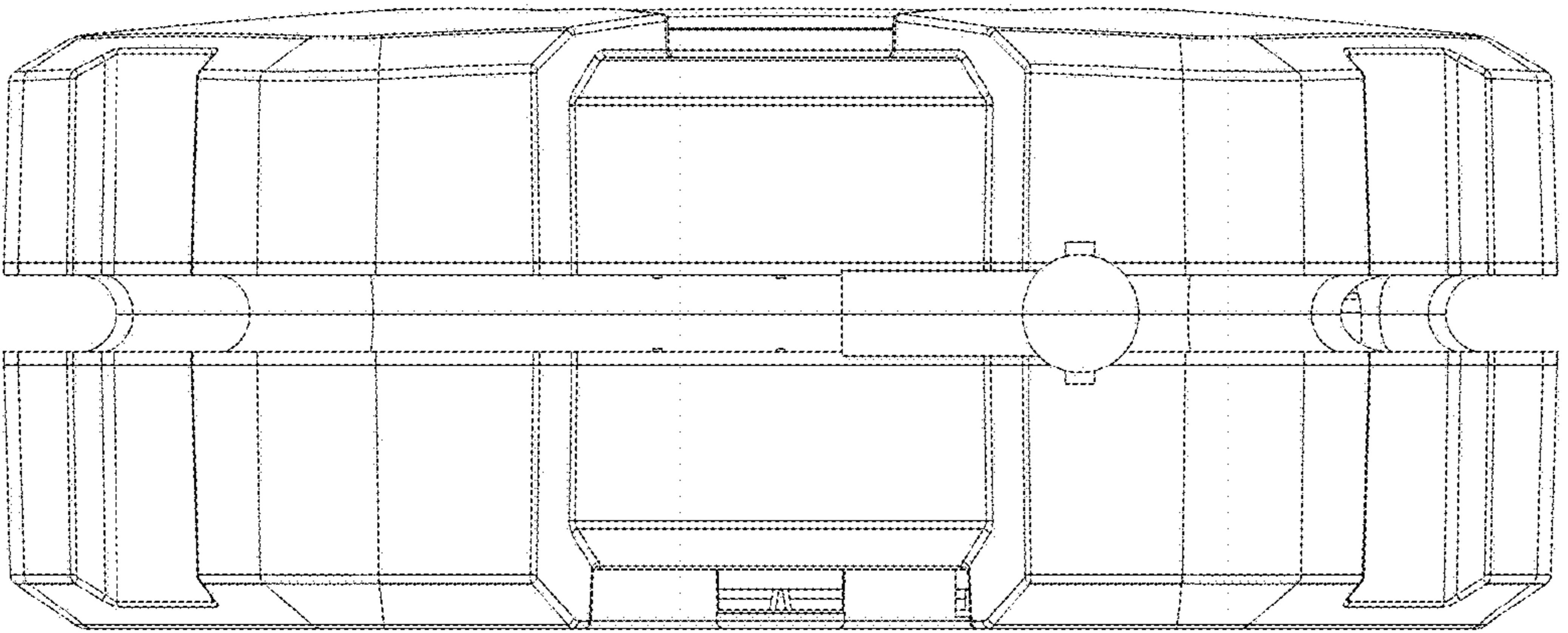


FIG. 6

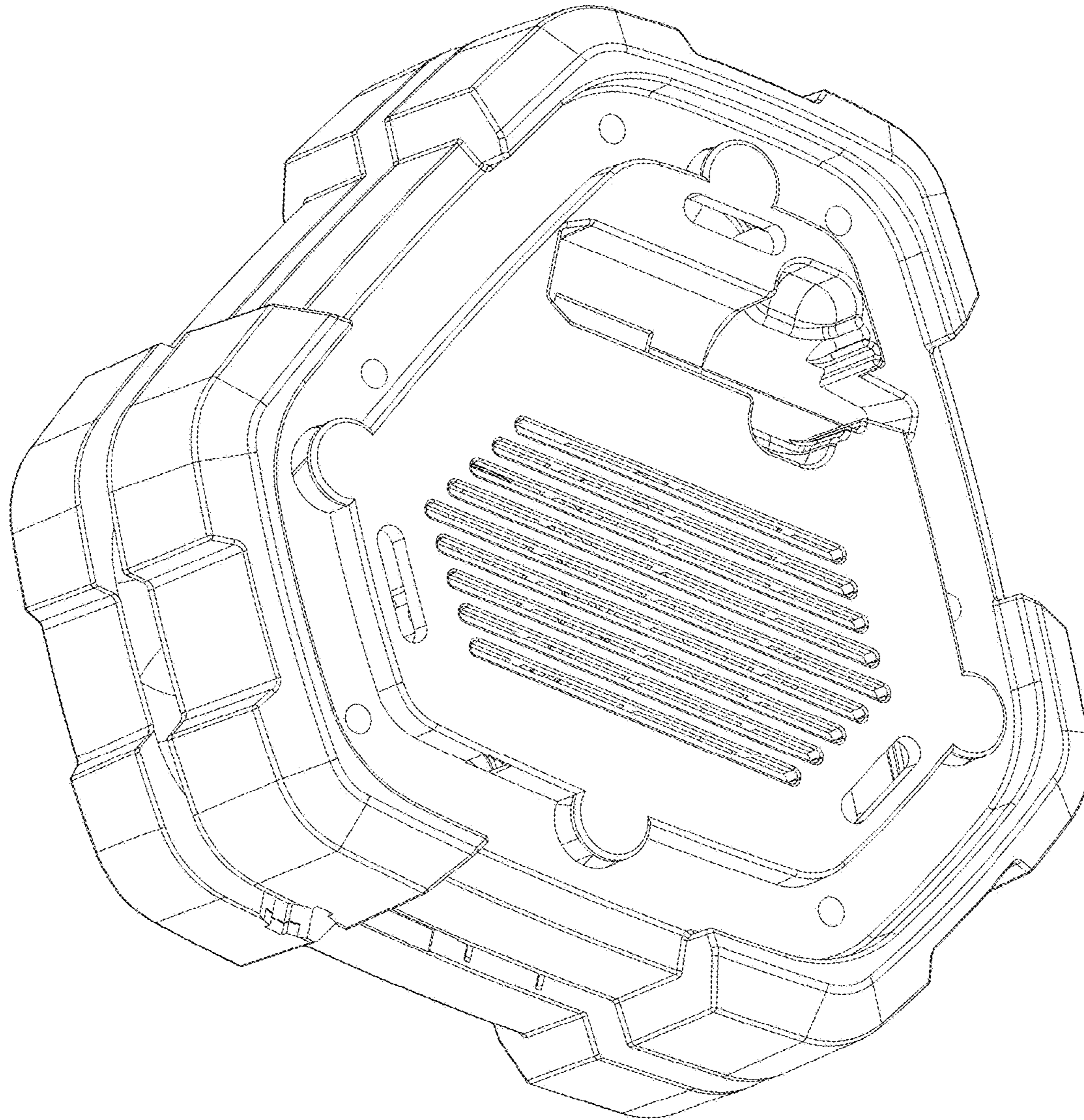


FIG. 7

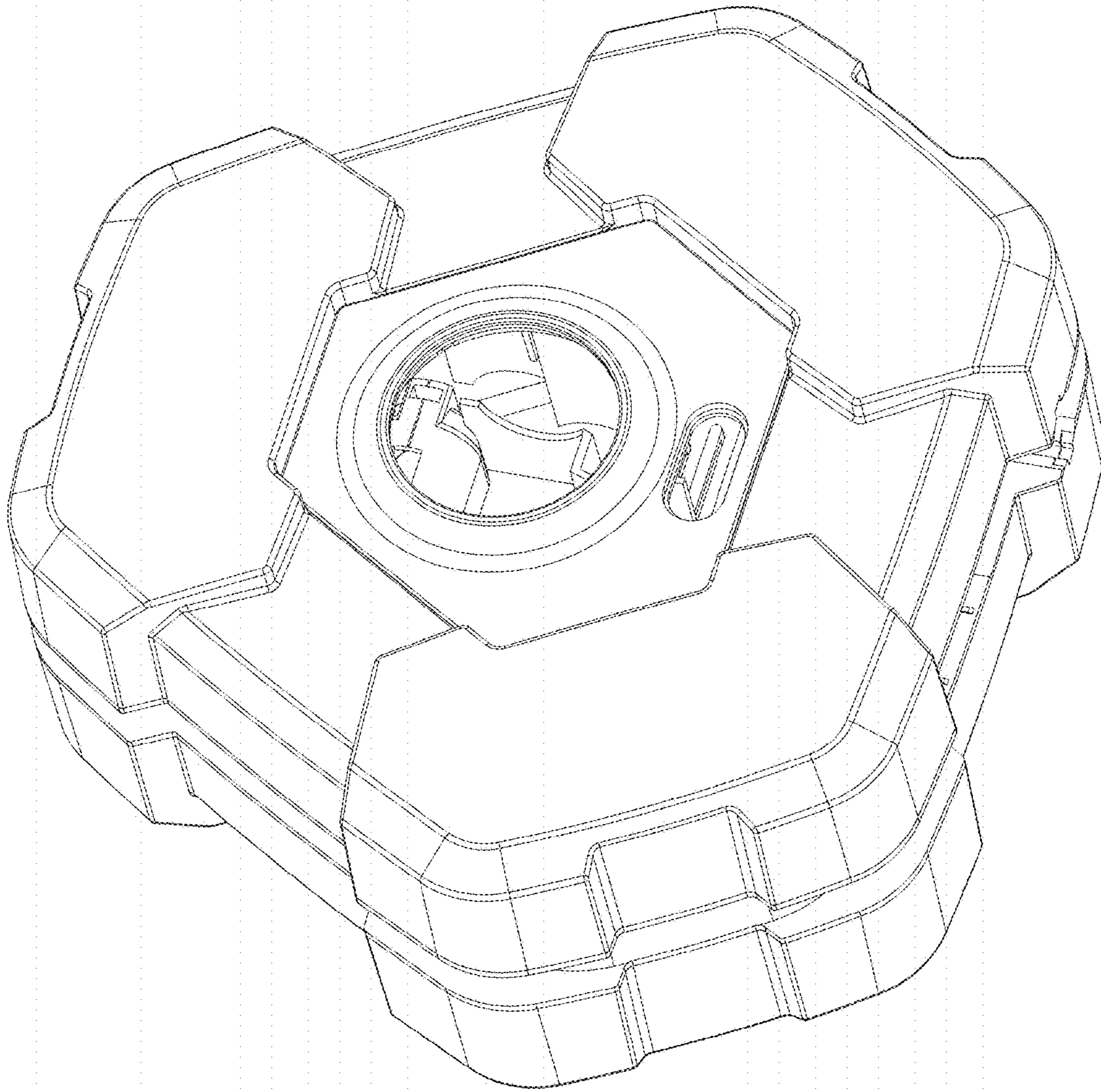


FIG. 8

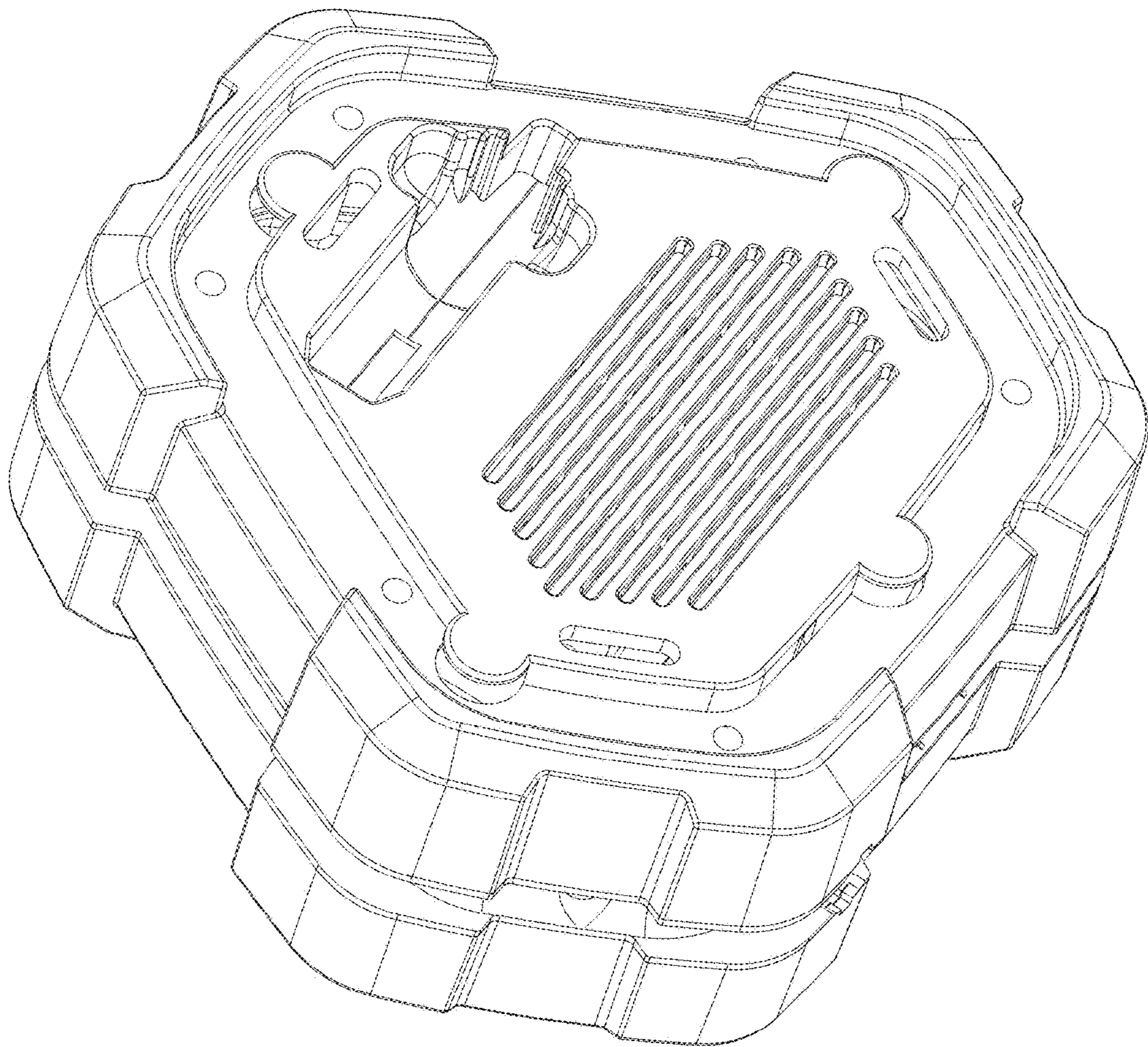


FIG. 9

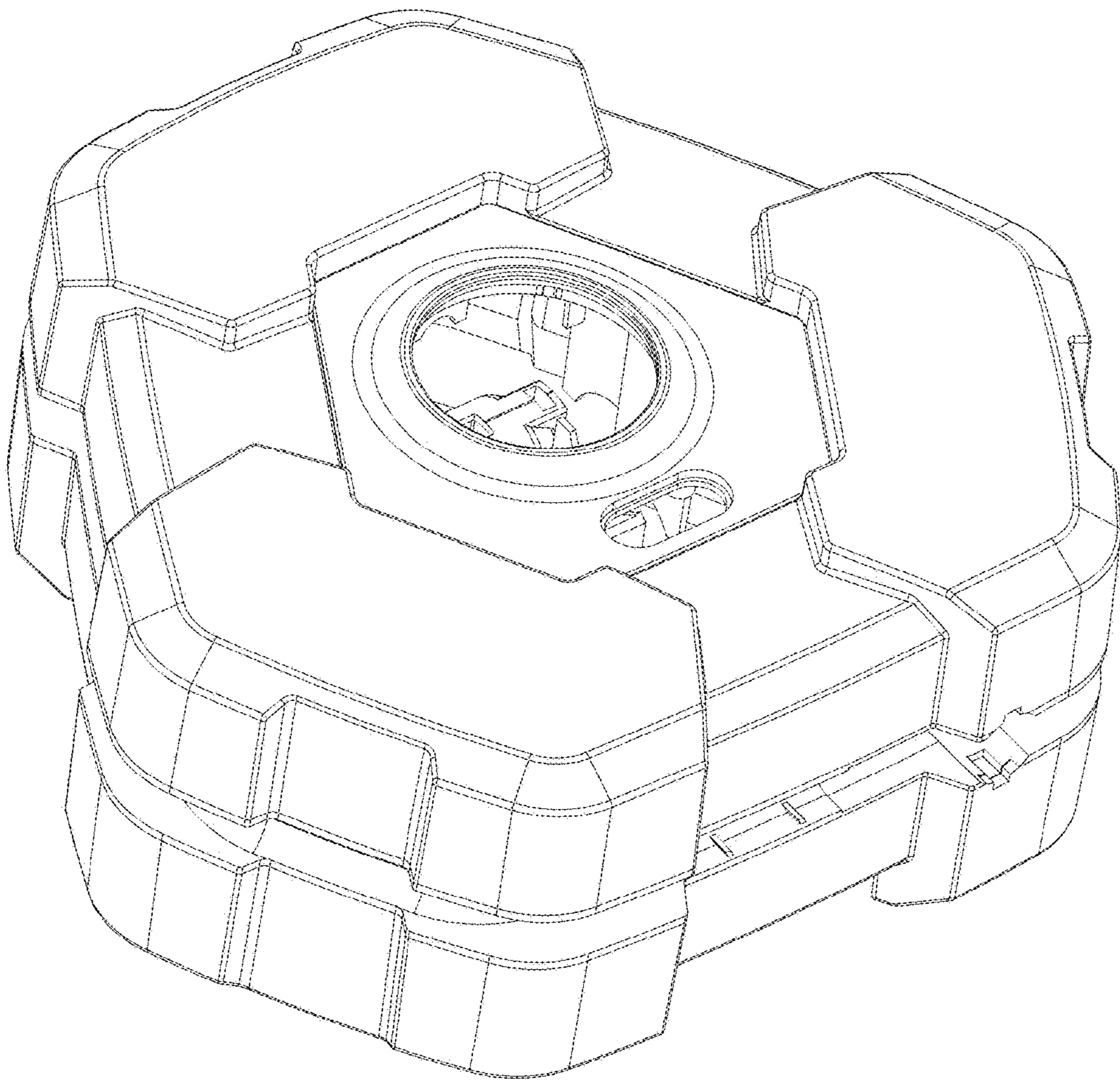


FIG. 10

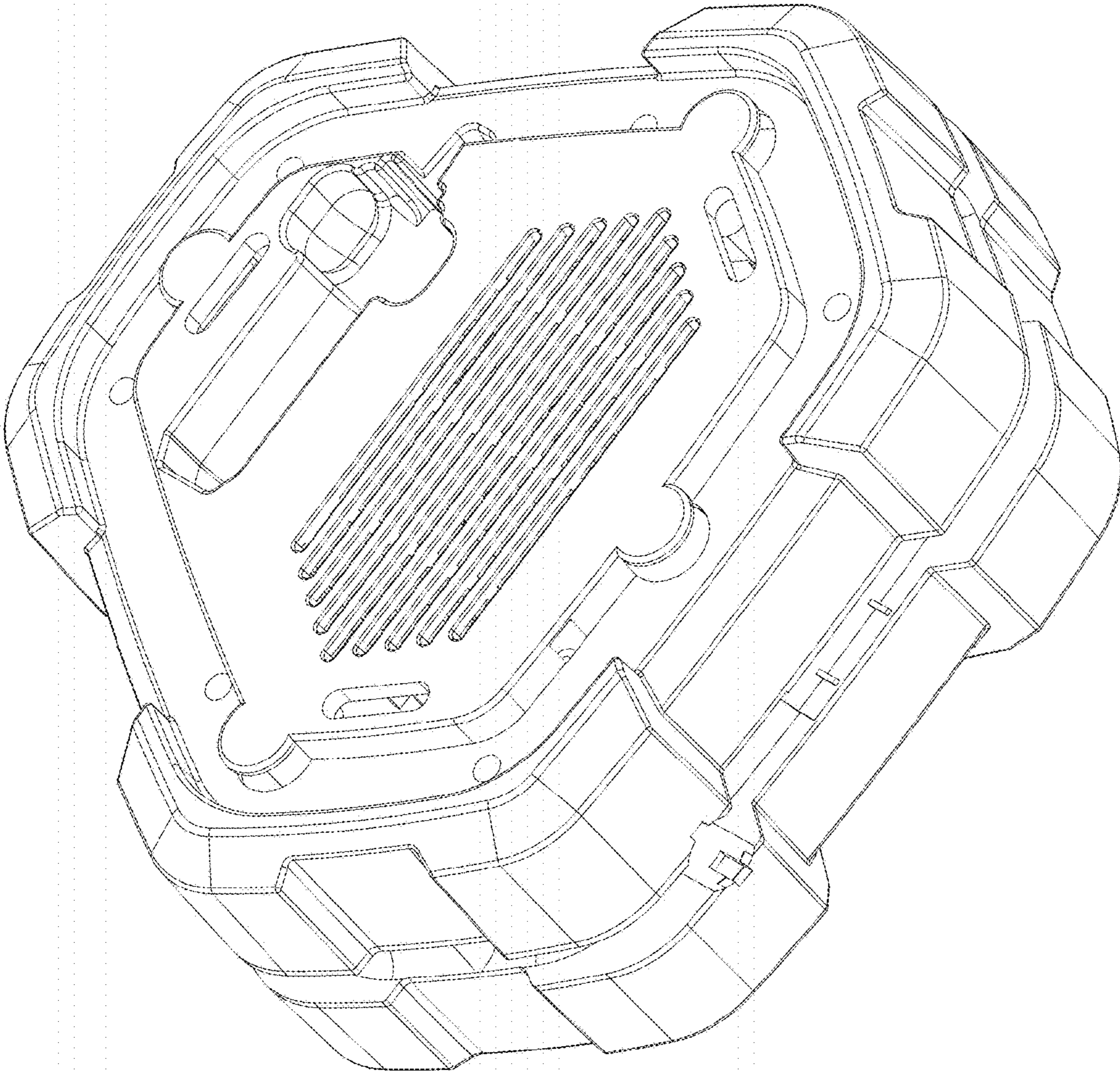


FIG. 11

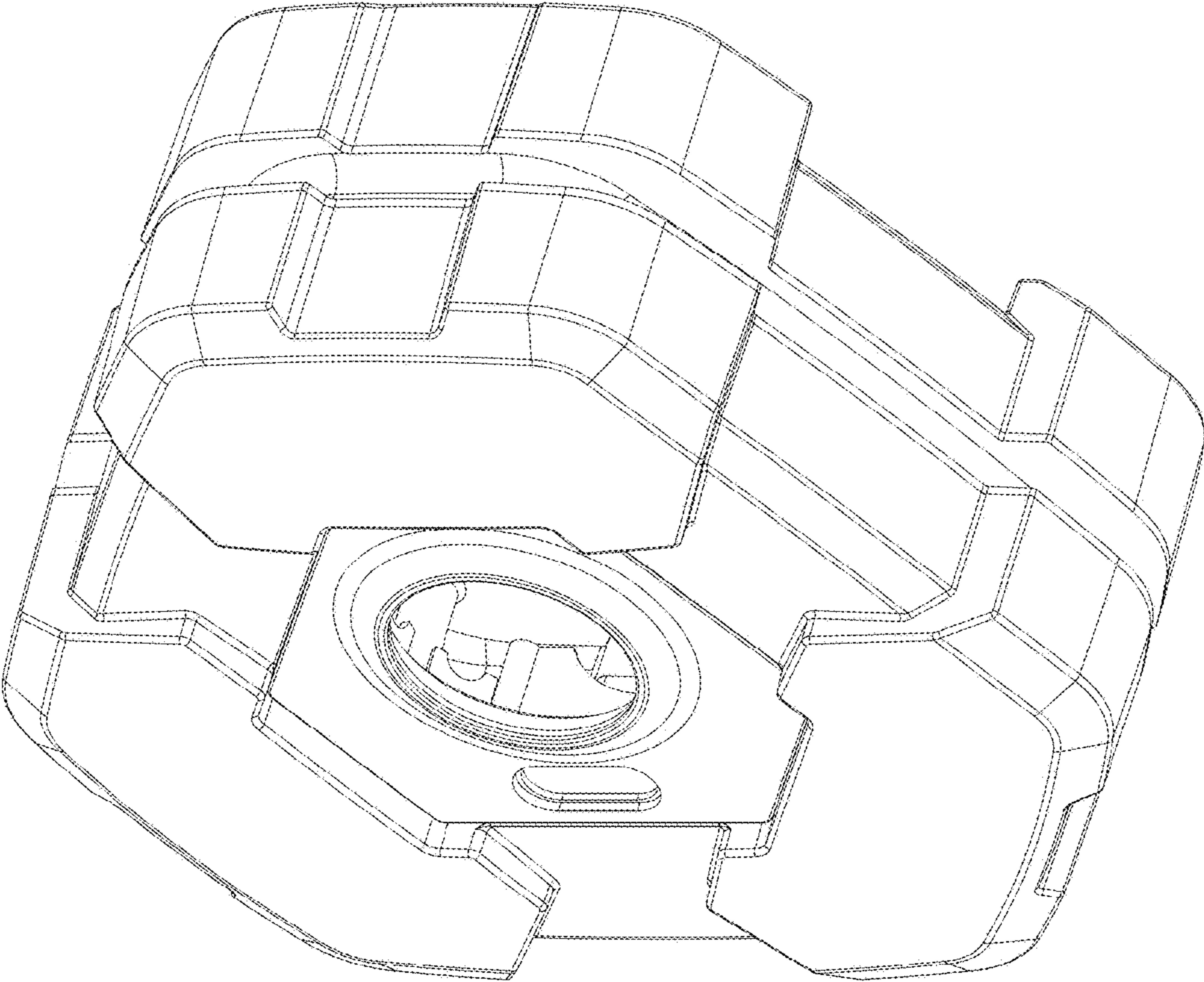


FIG. 12