

US00D831074S

(12) **United States Design Patent** (10) **Patent No.:** **US D831,074 S**
Ecklund et al. (45) **Date of Patent:** **** Oct. 16, 2018**

(54) **HOSE COUPLING**

(71) Applicant: **SAGE PRODUCTS, LLC**, Cary, IL (US)

(72) Inventors: **Brian J. Ecklund**, Lakemoor, WI (US);
Jeffrey A. Kennedy, Algonquin, IL (US)

(73) Assignee: **SAGE PRODUCTS, LLC**, Cary, IL (US)

(**) Term: **15 Years**

(21) Appl. No.: **29/592,971**

(22) Filed: **Feb. 3, 2017**

(51) **LOC (11) Cl.** **15-02**

(52) **U.S. Cl.**
USPC **D15/7**

(58) **Field of Classification Search**
USPC D15/7-9.3; D23/225, 227, 231, 232;
417/60, 235, 265, 321, 355, 358, 363,
417/359, 410.1, 415-416, 405, 900, 269,
417/539; 60/408, 412; 184/26-37;
415/140-147; 123/495, 509; 137/565.34;
D9/436, 447; 141/208; 222/529
CPC F02M 37/04; F02M 37/14; F04B 53/92;
F04B 1/005; F04D 13/06; F04D 29/22;
F04D 29/046; F04D 29/2266; B67D 7/44
See application file for complete search history.

(56) **References Cited**

U.S. PATENT DOCUMENTS

D237,835 S * 11/1975 Bevan et al. D15/7
D262,538 S * 1/1982 Erikson D15/7
D317,613 S * 6/1991 Channell D15/7
D589,060 S * 3/2009 Metcalfe D15/7
D609,249 S * 2/2010 Foreman D15/7

D631,066 S * 1/2011 Itadani D15/9
D654,508 S * 2/2012 Foreman D15/7
D689,100 S * 9/2013 Wirz Luchsinger D15/7
D693,850 S * 11/2013 Haider D15/7
D704,225 S * 5/2014 Lee D15/5
D704,226 S * 5/2014 Lee D15/5
D705,819 S * 5/2014 Seymour D15/9
D707,717 S * 6/2014 King D15/7
D736,833 S * 8/2015 Lee D15/5
D764,551 S * 8/2016 Fowler D15/7
D802,024 S * 11/2017 Aoki 15/5
D803,894 S * 11/2017 Kennedy D15/7

* cited by examiner

Primary Examiner — Ralf T Seifert

(74) *Attorney, Agent, or Firm* — Foley & Lardner LLP

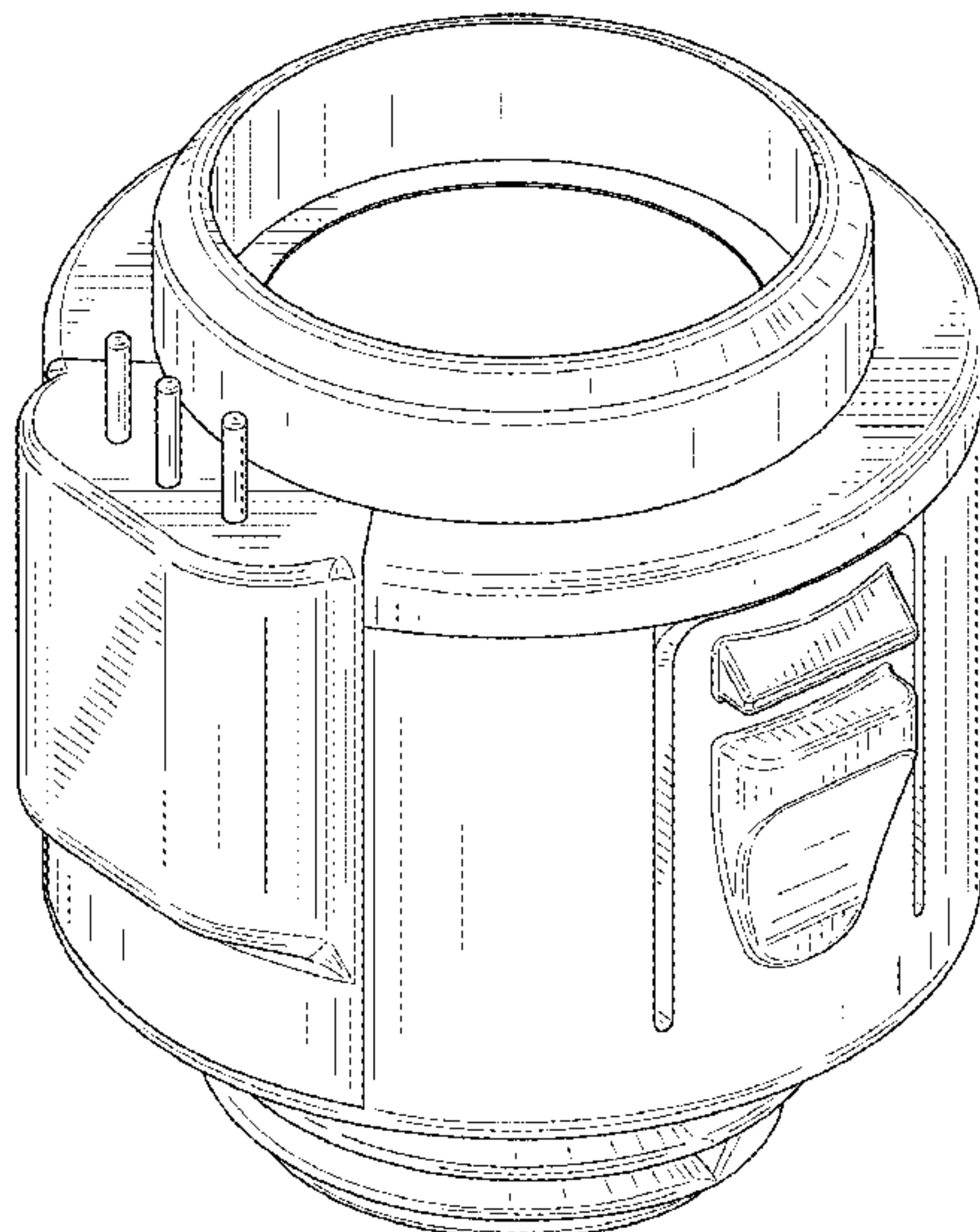
(57) **CLAIM**

We claim the ornamental design for a hose coupling, as shown and described.

DESCRIPTION

FIG. 1 is a top, front, right perspective view of an embodiment of the claimed design;
FIG. 2 is a bottom, front, left perspective view thereof;
FIG. 3 is a right side elevation view thereof;
FIG. 4 is a left side elevation view thereof;
FIG. 5 is a front elevation view thereof
FIG. 6 is a rear elevation view thereof
FIG. 7 is a top plan view thereof; and,
FIG. 8 is a bottom plan view thereof.
The ornamental design which is claimed is shown in solid lines in the drawings. The broken lines in the drawings are for illustrative purposes only and form no part of the claimed design. Broken lines formed by equal length dashes show unclaimed subject matter. Broken lines formed by unequal length dashes (i.e., dash-dot) define bounds of the claimed design.

1 Claim, 8 Drawing Sheets



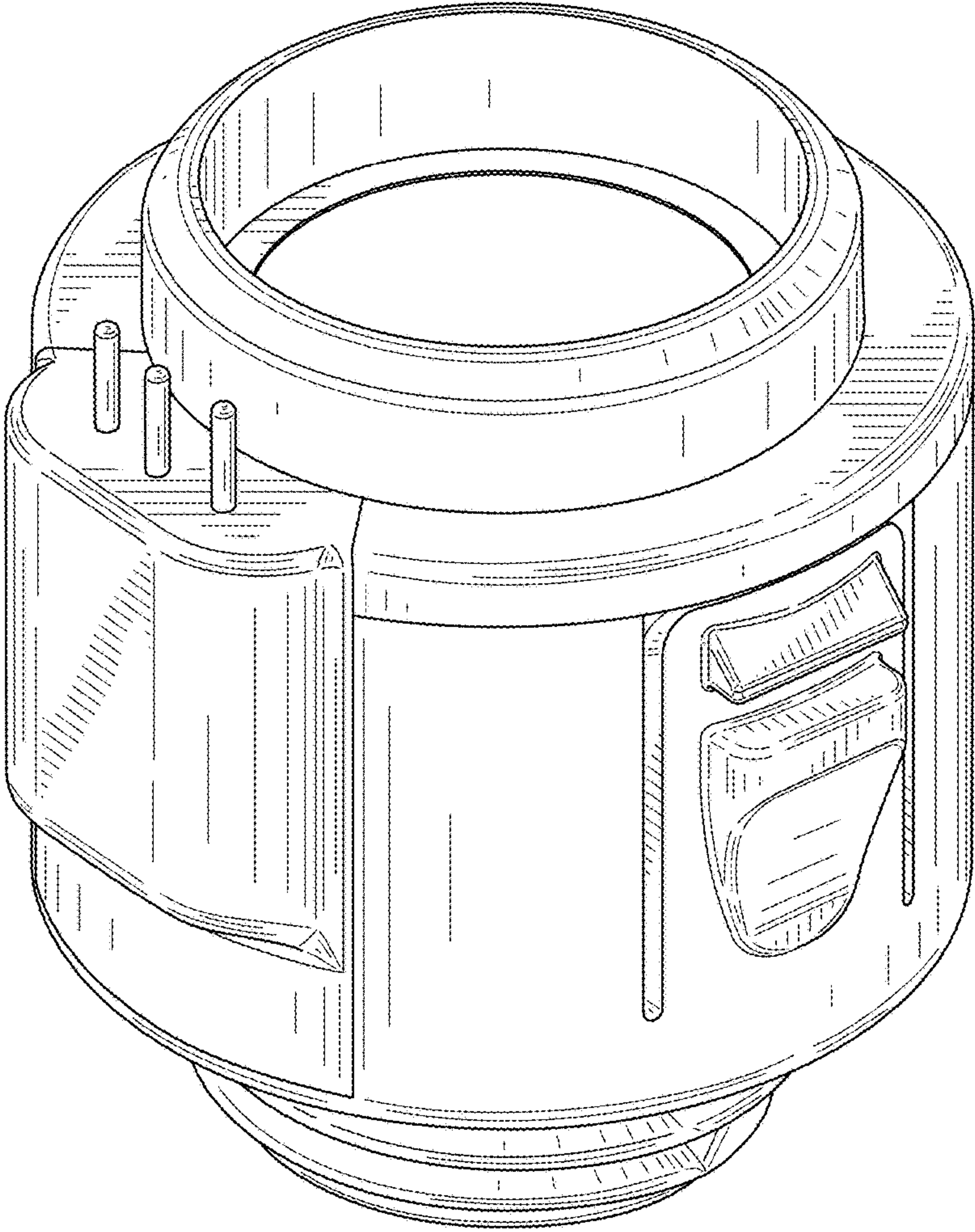


FIG. 1

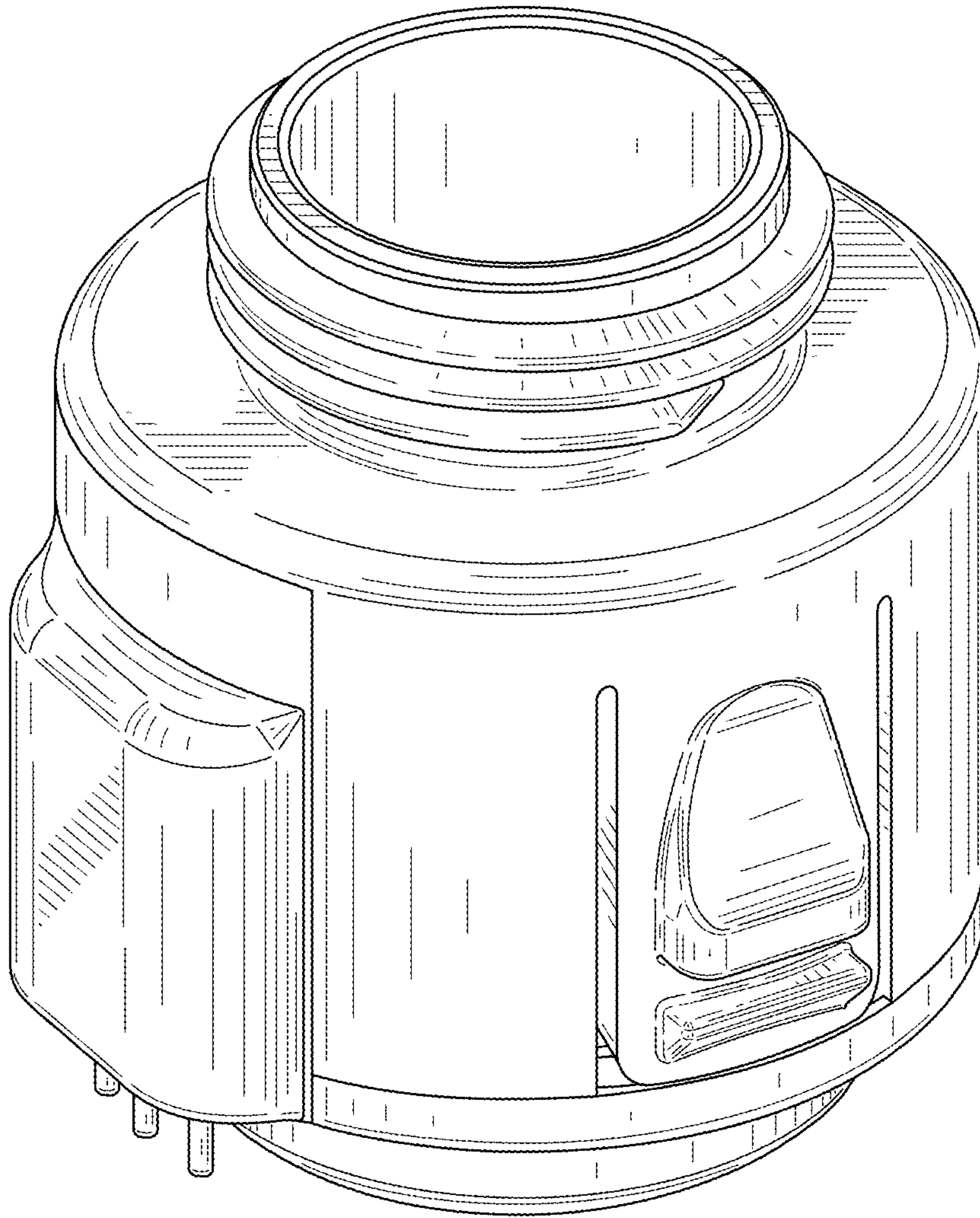


FIG. 2

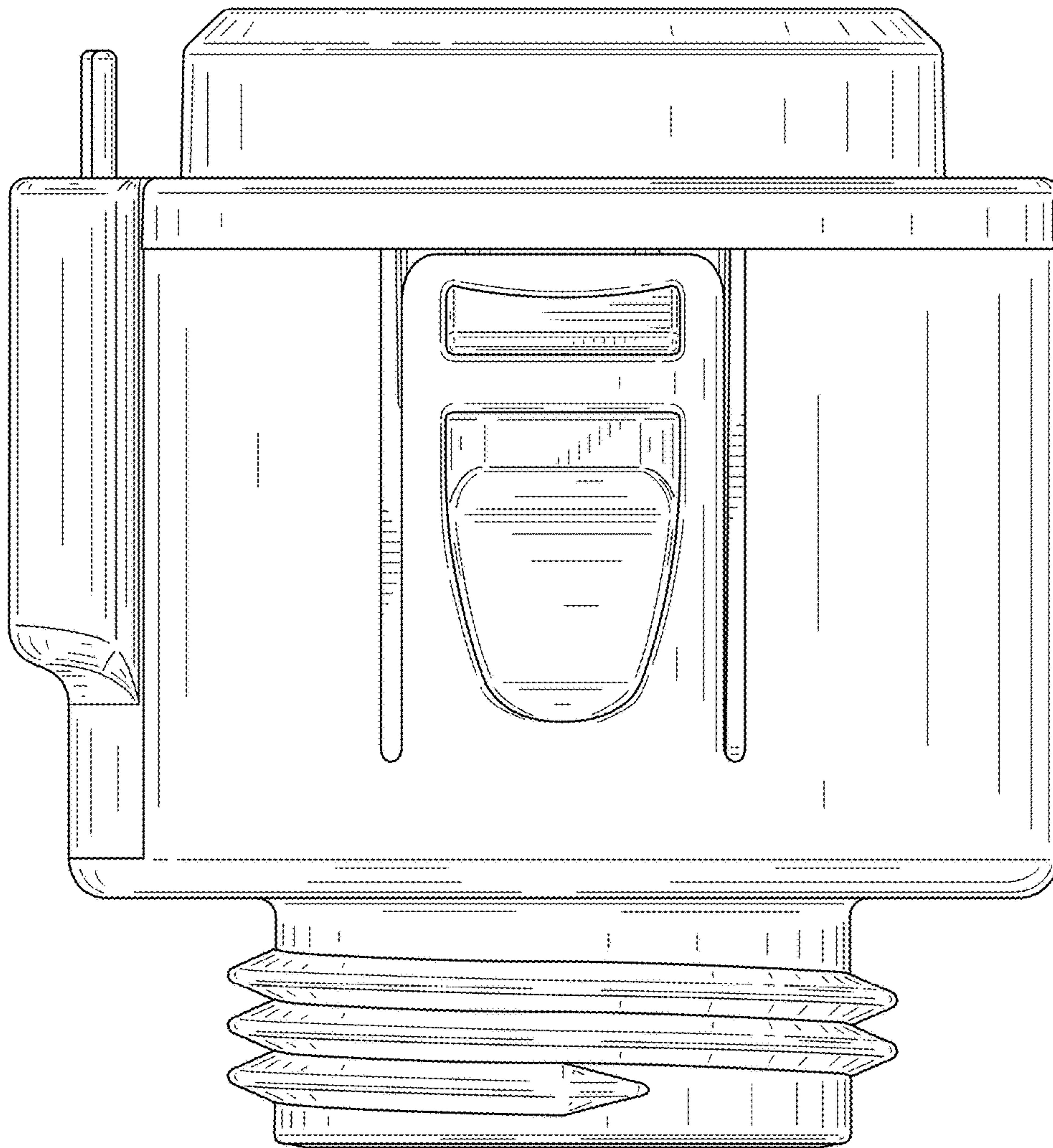


FIG. 3

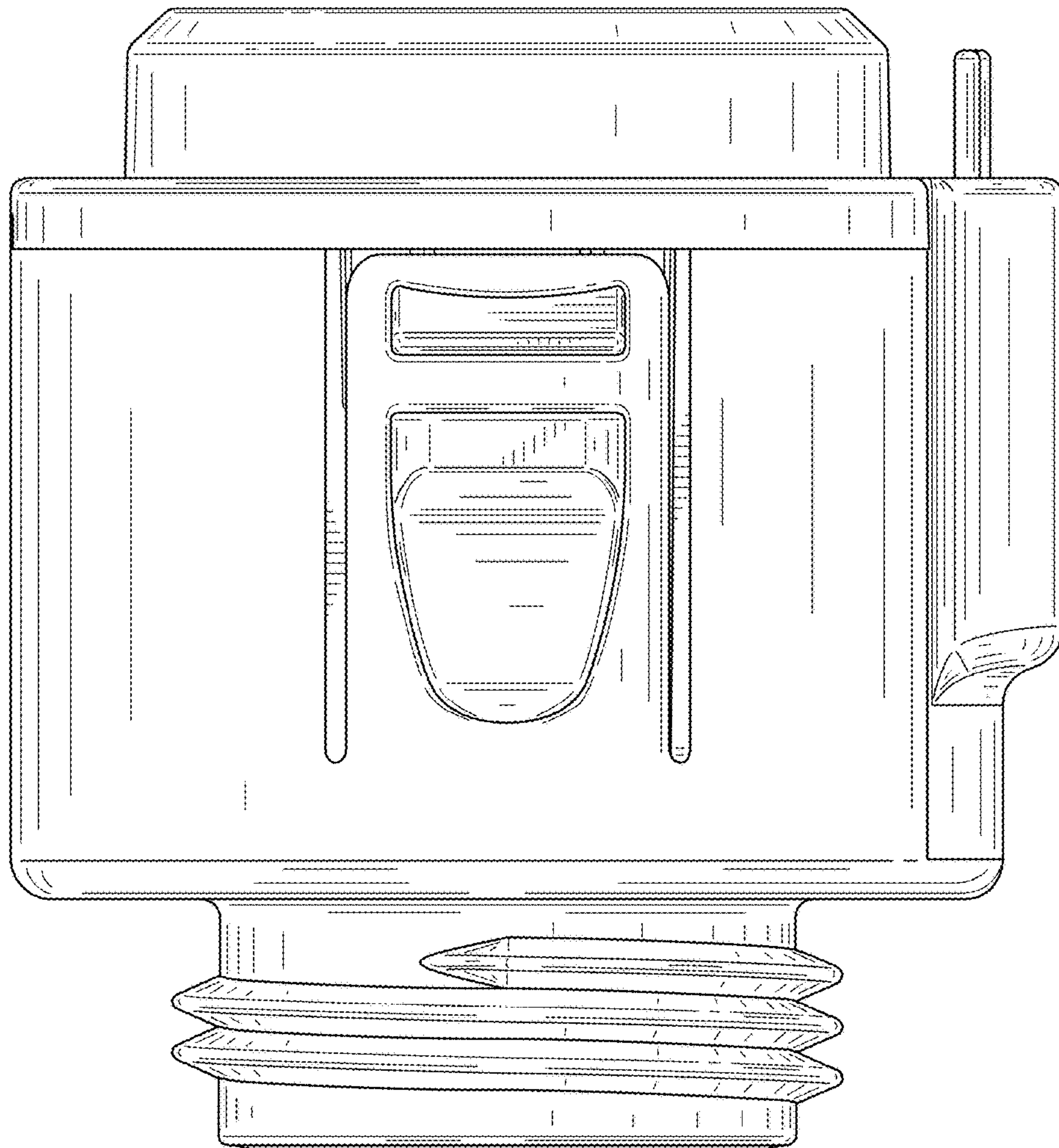


FIG. 4

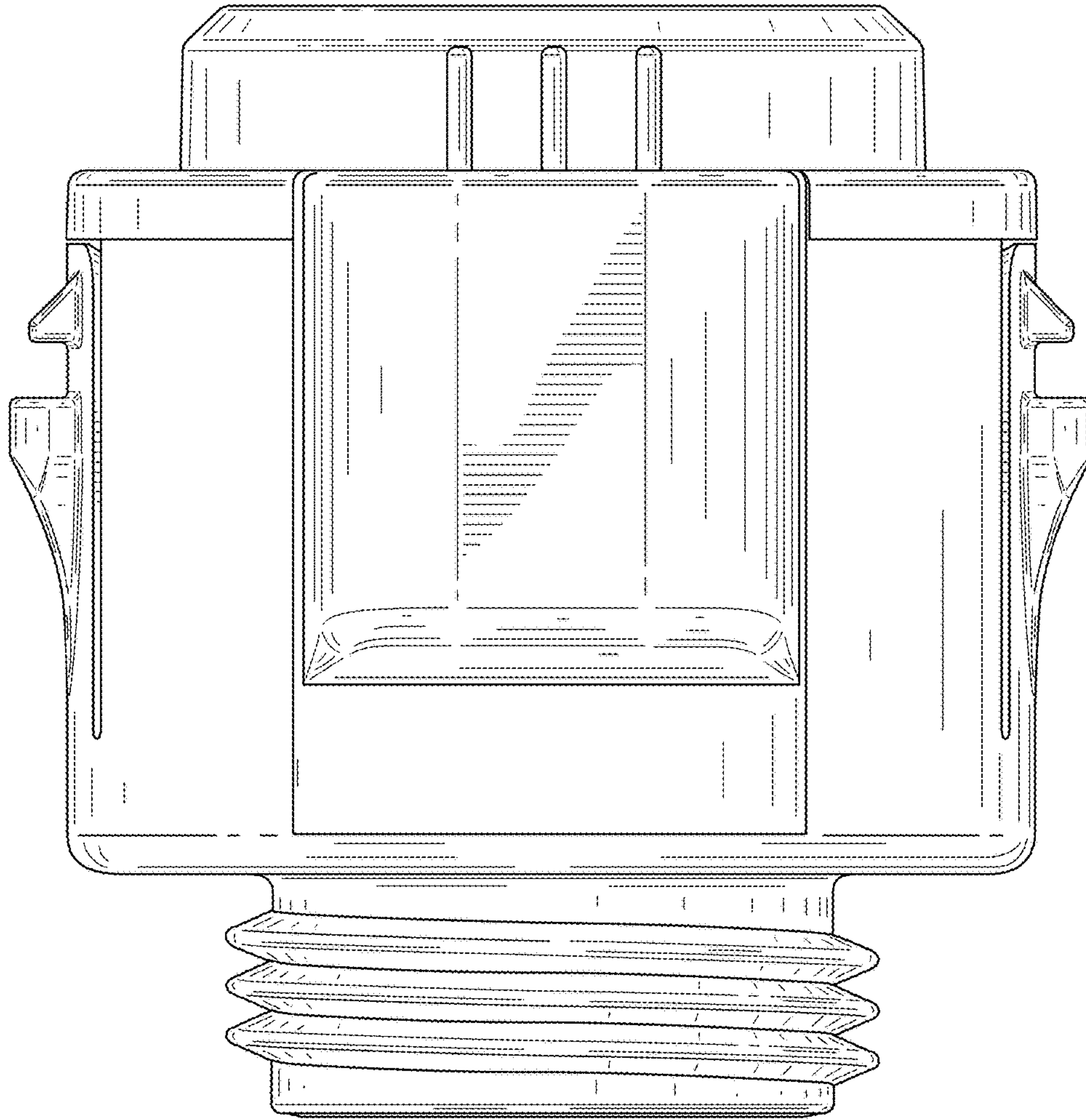


FIG. 5

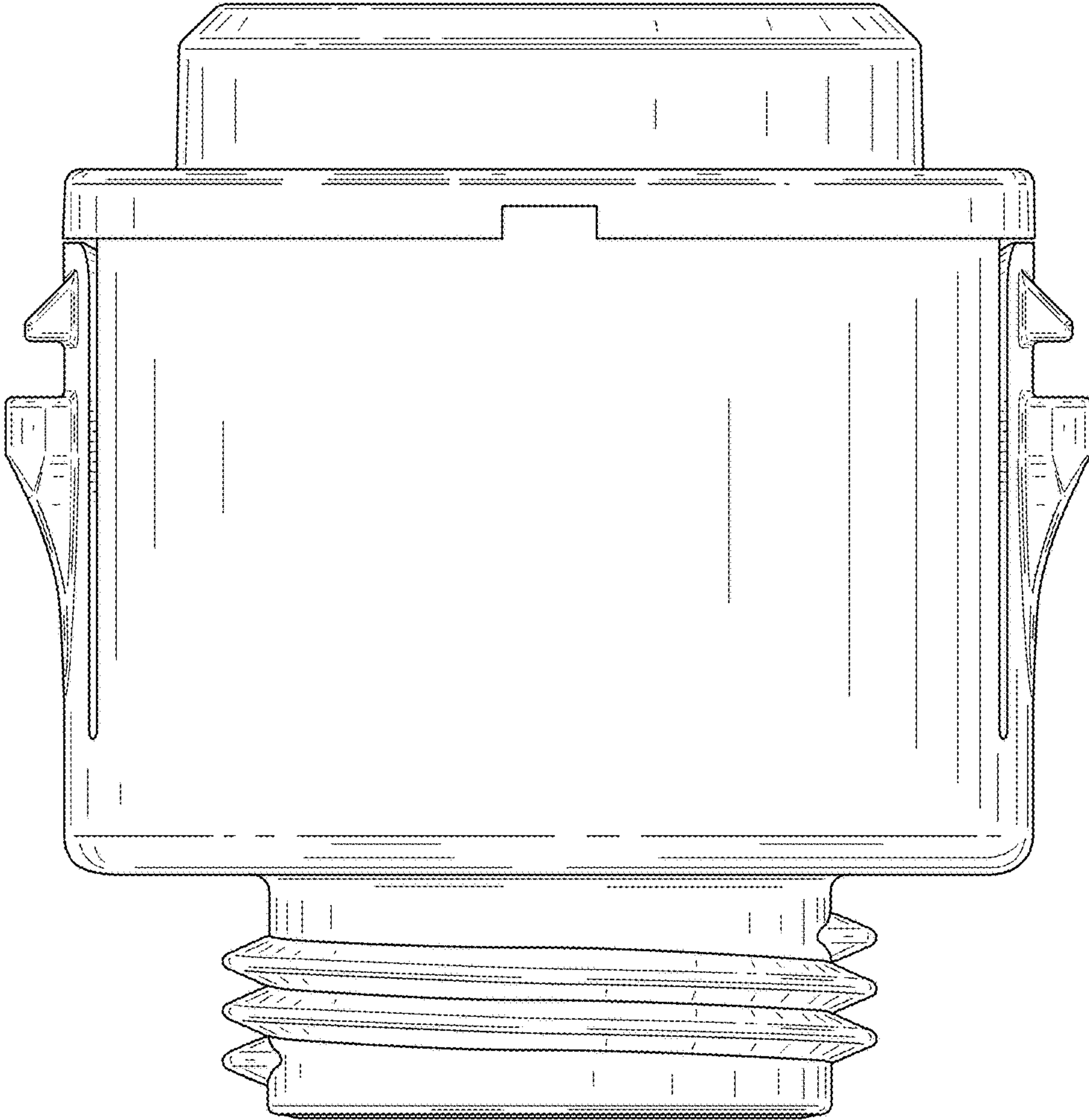


FIG. 6

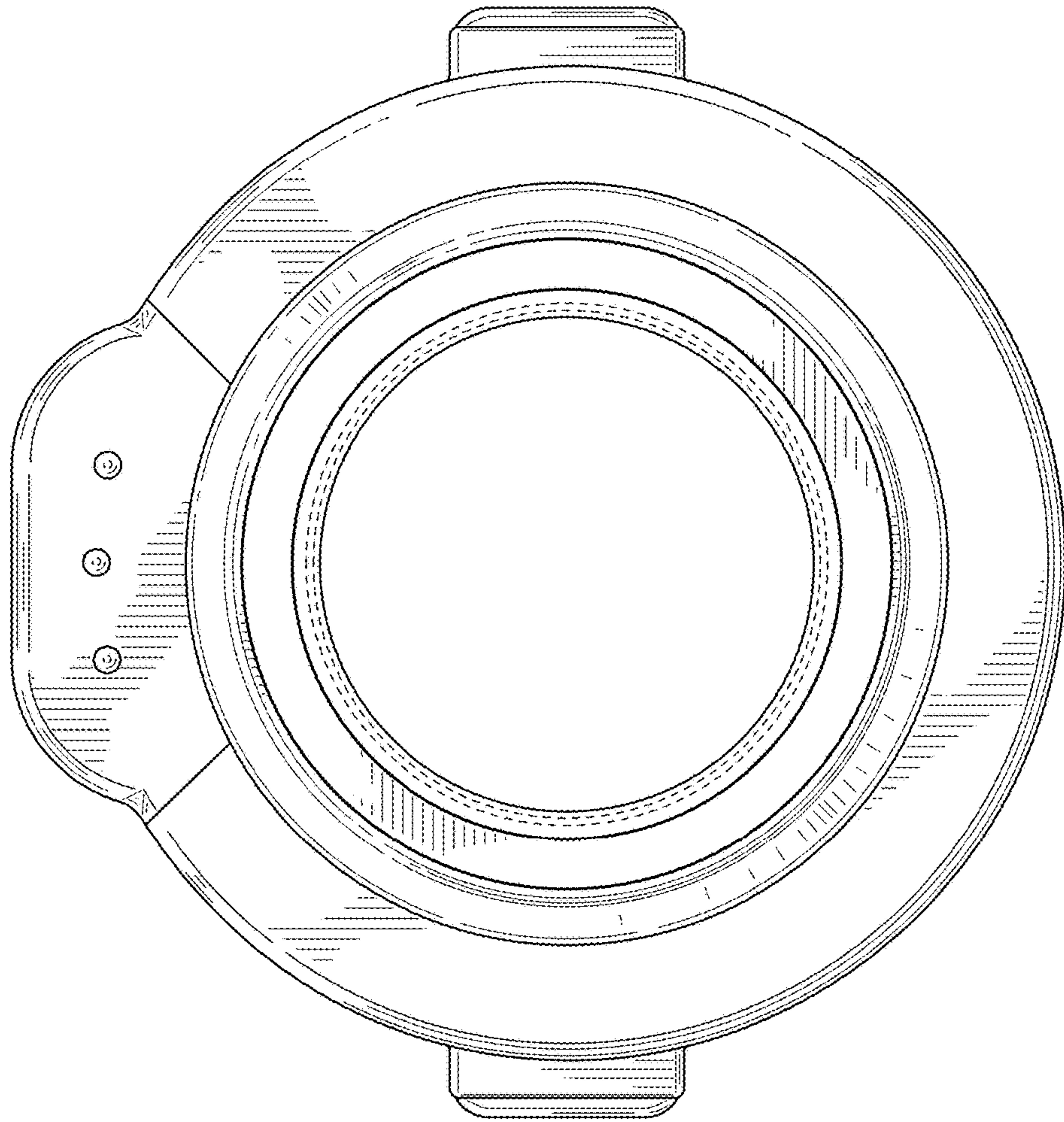


FIG. 7

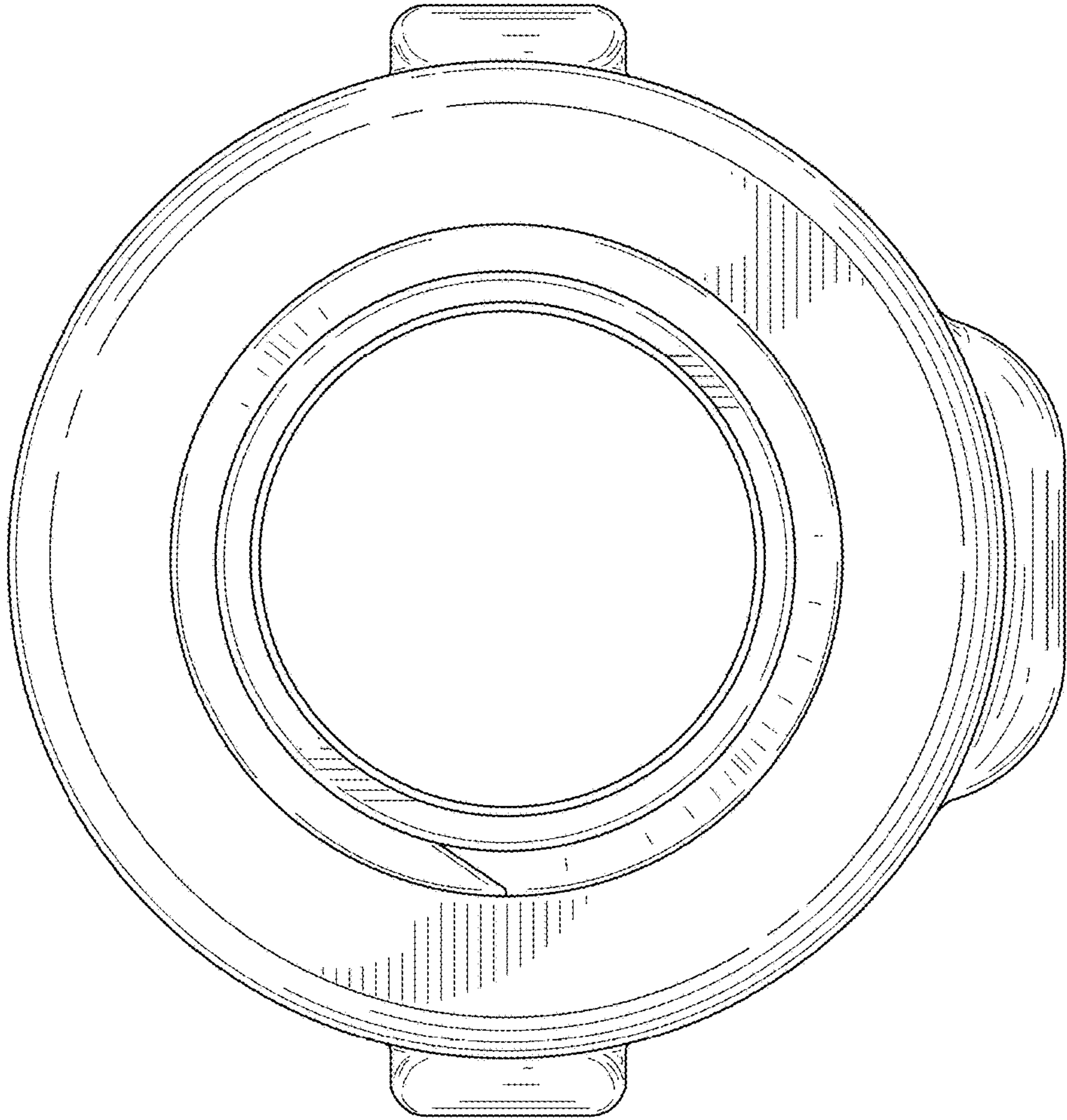


FIG. 8