



US00D831073S

(12) **United States Design Patent** (10) **Patent No.:** **US D831,073 S**
Squire (45) **Date of Patent:** **** Oct. 16, 2018**

(54) **ELECTRIC MOTOR CONTROLLER**

6/34; H02P 7/04; H01R 13/5213; H01R 13/46

(71) Applicant: **Sevcon Limited**, Gateshead, Tyne & Wear (GB)

See application file for complete search history.

(72) Inventor: **Gary Squire**, Gateshead (GB)

(56) **References Cited**

(73) Assignee: **SEVCON LIMITED**, Gateshead, Tyne and Wear (GB)

U.S. PATENT DOCUMENTS

(**) Term: **15 Years**

D352,275	S *	11/1994	Crawley	D13/122
D503,389	S *	3/2005	Dabrowski	D13/184
D722,576	S *	2/2015	Zimmer	D13/179
D722,577	S *	2/2015	Zimmer	D13/179
9,281,607	B2 *	3/2016	Lee	H01R 13/5202
D772,299	S *	11/2016	Okamoto	D15/5
D772,300	S *	11/2016	Okamoto	D15/5
D772,943	S *	11/2016	Okamoto	D15/5
9,730,349	B2 *	8/2017	Nuriya	H05K 5/03
9,756,741	B2 *	9/2017	Blossfeld	H05K 5/006
2002/0112869	A1 *	8/2002	Kobayashi	B60R 16/0239 174/50
2003/0161110	A1 *	8/2003	Spasevski	B60R 16/0239 361/715
2005/0115727	A1 *	6/2005	Sakata	B60R 16/0239 174/17 VA
2006/0082975	A1 *	4/2006	Caines	H05K 5/061 361/719

(21) Appl. No.: **29/595,439**

(22) Filed: **Feb. 28, 2017**

(30) **Foreign Application Priority Data**

Aug. 31, 2016 (EM) 003359504-0001
 Aug. 31, 2016 (EM) 003359504-0002
 Aug. 31, 2016 (EM) 003359504-0003

(Continued)

(51) **LOC (11) Cl.** **15-01**

Primary Examiner — T Chase Nelson

(52) **U.S. Cl.**

Assistant Examiner — Ania Aman

USPC **D15/5**

(74) *Attorney, Agent, or Firm* — Norton Rose Fulbright US LLP

(58) **Field of Classification Search**

USPC D15/5; D9/737, 424, 416, 425, 347, 761;
 D7/553.1, 555; D13/184, 179, 119, 122,
 D13/112, 162, 164
 CPC F02D 29/00; F02D 41/20; F02D 2400/18;
 F02D 2400/21; F02D 2041/285; H01L
 25/162; H05K 5/0091; H05K 5/0204;
 H05K 5/0073; H05K 5/0217; H05K
 5/0243; H05K 5/03; H05K 5/0247; H05K
 5/04; H05K 5/06; H05K 5/069; H05K
 5/0221; H05K 5/061; H05K 5/0056;
 H02G 3/08; B60R 16/0239; B60L
 11/1803; H02P 7/298; H02P 6/001; H02P

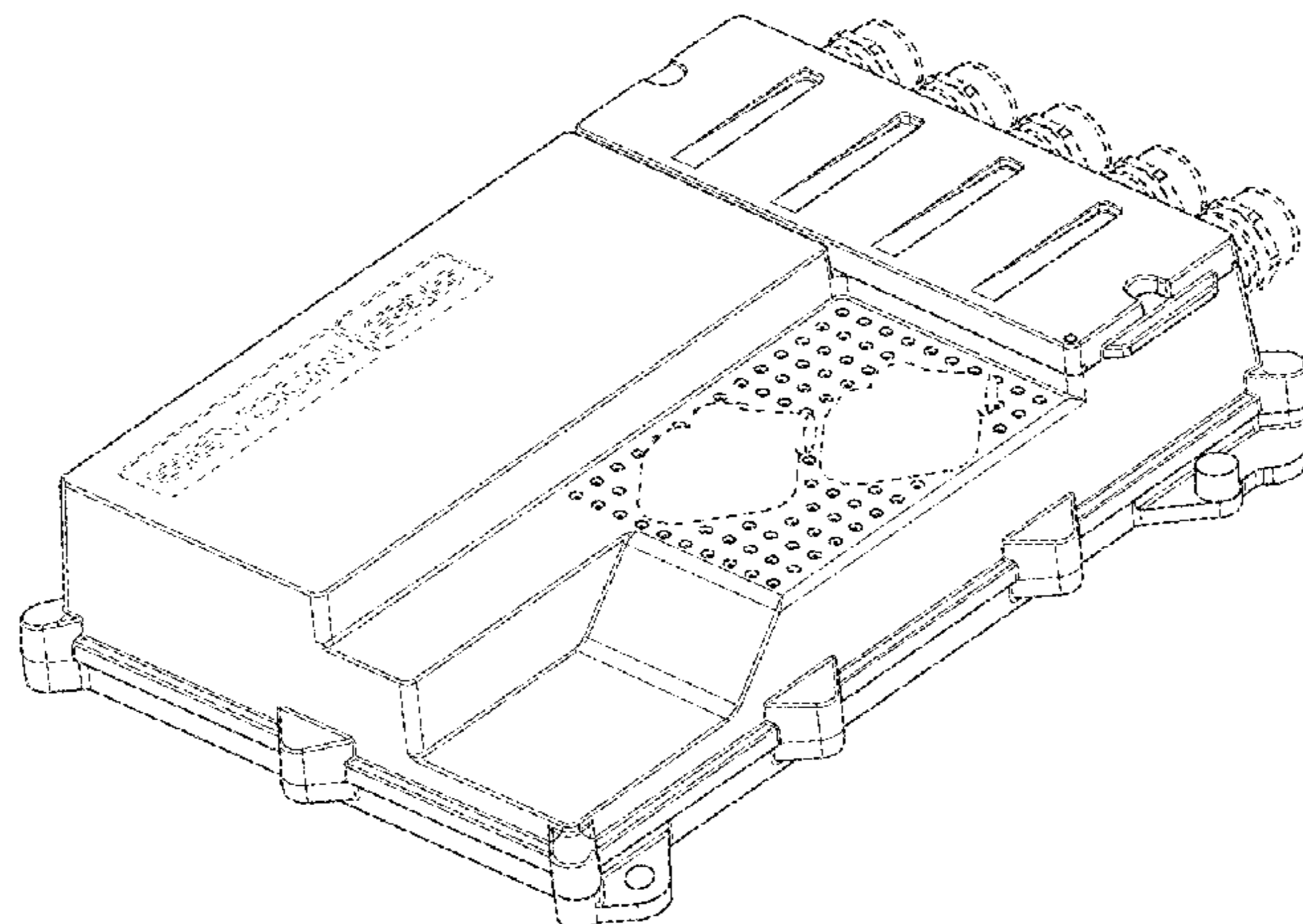
(57) **CLAIM**

The ornamental design for an electric motor controller, as shown and described.

DESCRIPTION

FIG. 1 is a top orthogonal view of my design for an electric motor controller;
 FIG. 2 is a side orthogonal view of my design;
 FIG. 3 is a bottom orthogonal view of my design;
 FIG. 4 is an upper perspective view of my design; and,
 FIG. 5 is a front orthogonal view of my design.

(Continued)



The broken lines shown in the view depict unclaimed environmental subject matter only and form no part of the claimed design.

1 Claim, 3 Drawing Sheets

(56)

References Cited

U.S. PATENT DOCUMENTS

2011/0085307 A1* 4/2011 Burgi H05K 5/0073
361/752
2013/0146373 A1* 6/2013 Kosaki B60K 1/04
180/65.1
2013/0286597 A1* 10/2013 Zhang H05K 5/0056
361/720
2014/0065877 A1* 3/2014 Ohhashi H05K 5/0052
439/519

2014/0111950 A1* 4/2014 Yamasaki B60R 16/0239
361/747
2014/0131536 A1* 5/2014 Riedel B60R 16/0239
248/231.9
2014/0334115 A1* 11/2014 Yang H05K 7/1427
361/752
2015/0271933 A1* 9/2015 Kaneko H05K 1/0203
361/690
2015/0282362 A1* 10/2015 Nuriya H05K 5/061
361/728
2016/0031398 A1* 2/2016 Azuma B60R 21/01
361/752
2016/0200270 A1* 7/2016 Tanahashi H05K 7/1432
318/503
2017/0112011 A1* 4/2017 Nuriya H05K 1/181
2017/0149223 A1* 5/2017 Sasaki H02G 3/16
2017/0334375 A1* 11/2017 Shigyo B60R 16/0239
2017/0341607 A1* 11/2017 Sumida B60R 16/0239

* cited by examiner

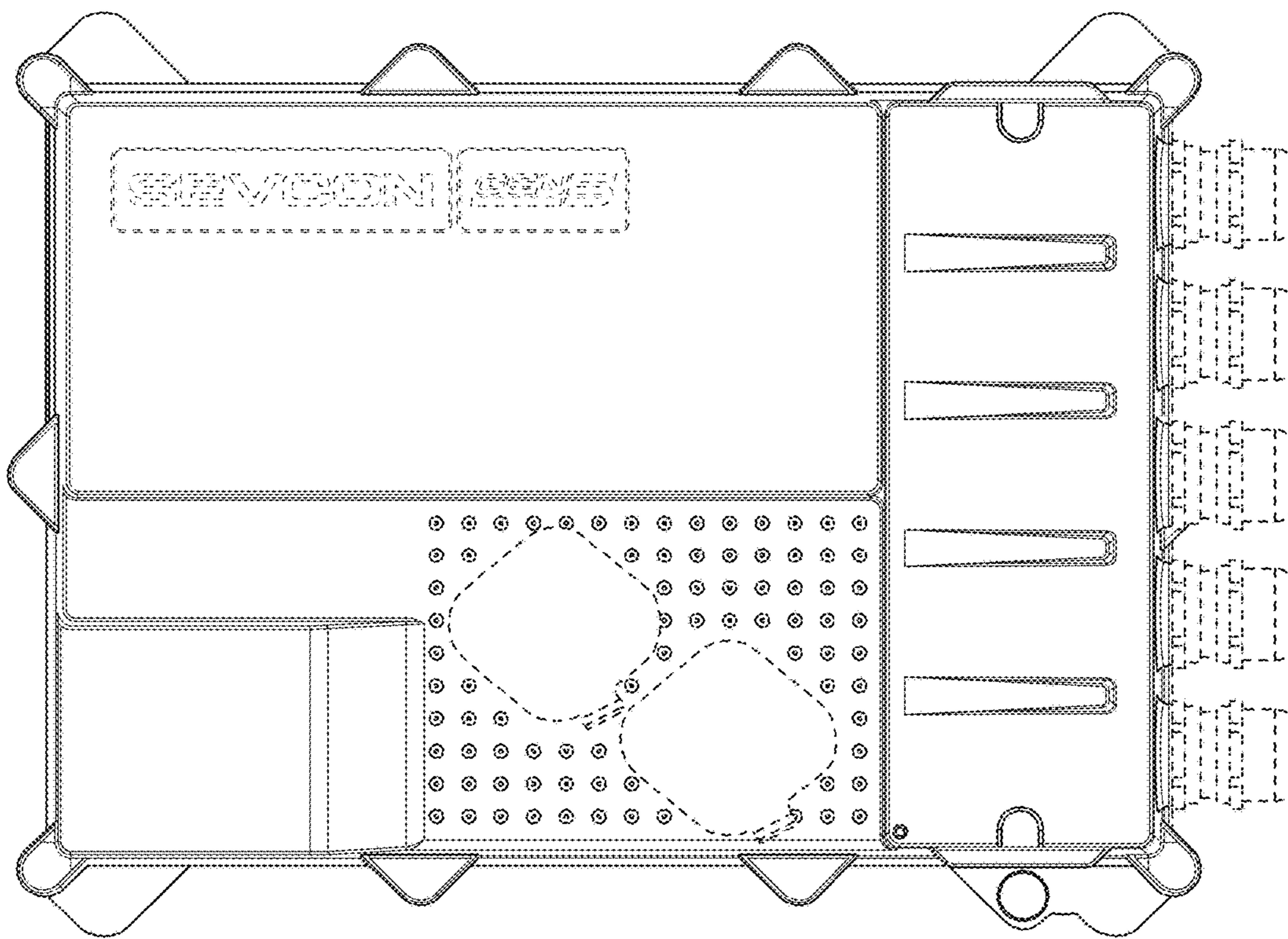


FIG. 1

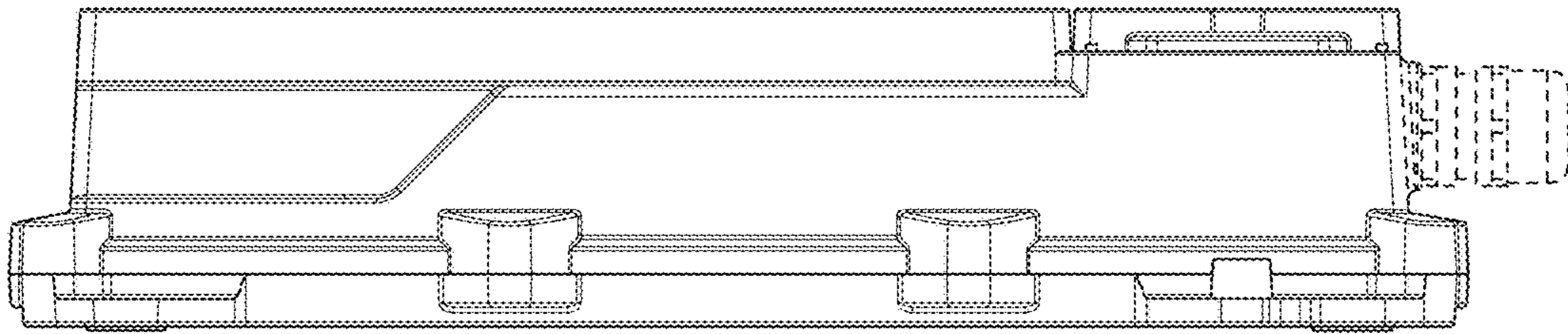


FIG. 2

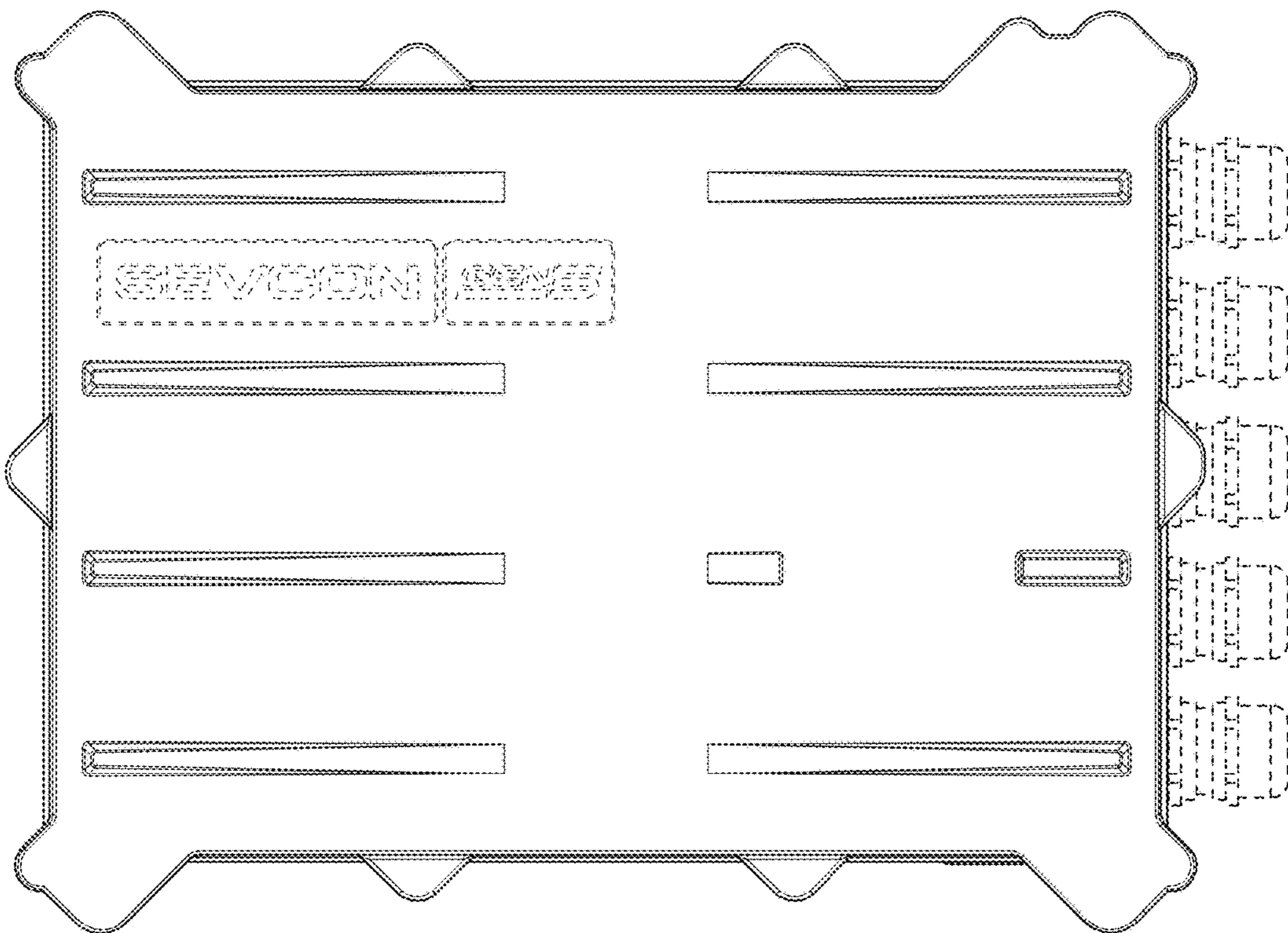


FIG. 3

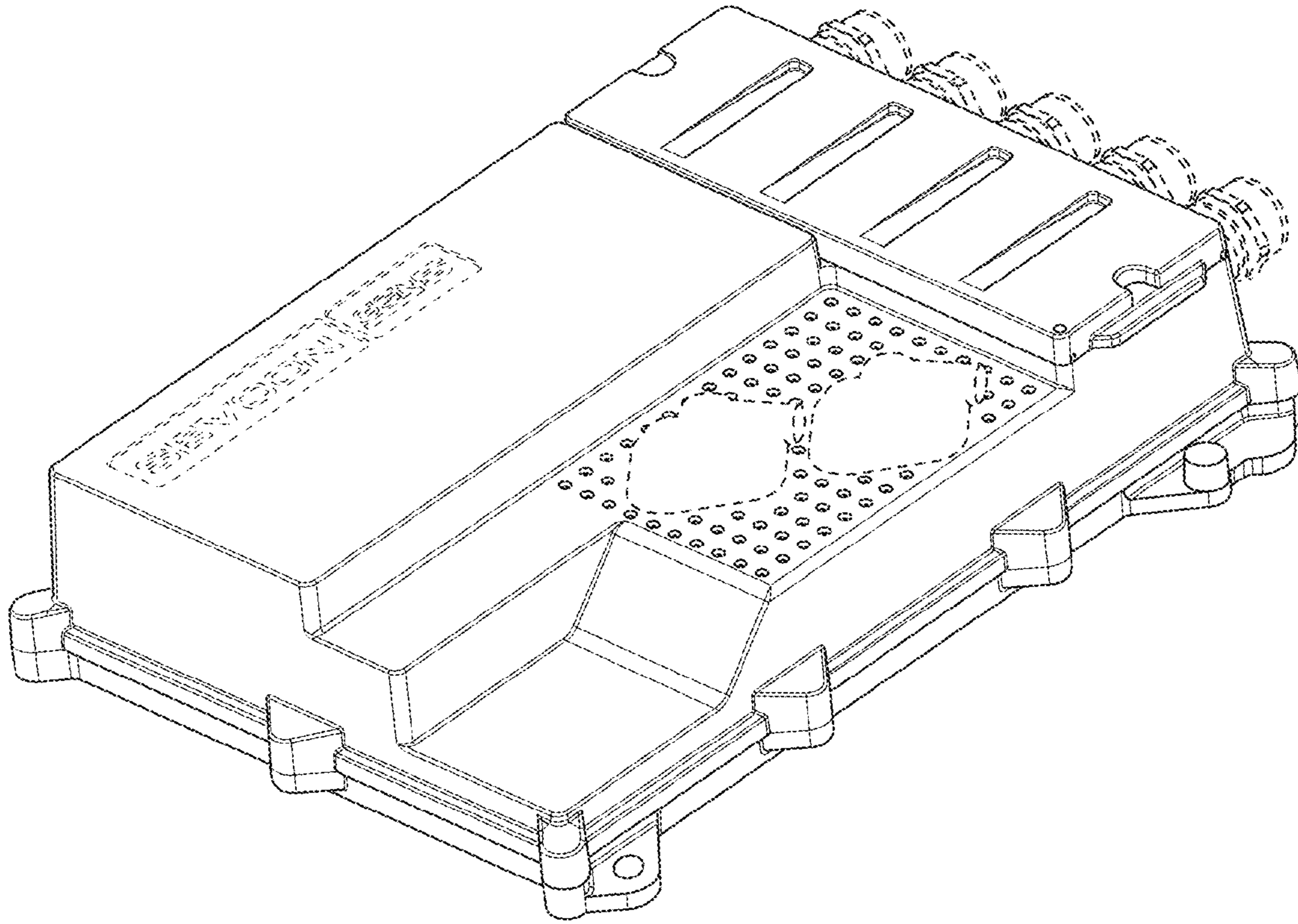


FIG. 4

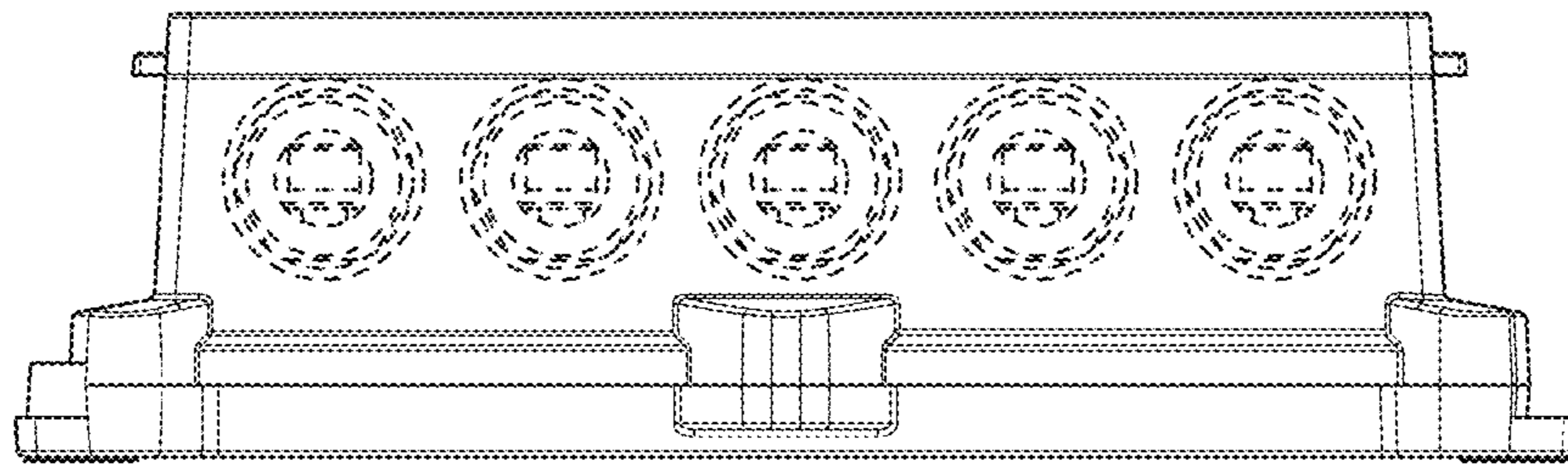


FIG. 5

UNITED STATES PATENT AND TRADEMARK OFFICE
CERTIFICATE OF CORRECTION

PATENT NO. : D831,073 S
APPLICATION NO. : 29/595439
DATED : October 16, 2018
INVENTOR(S) : Gary Squire

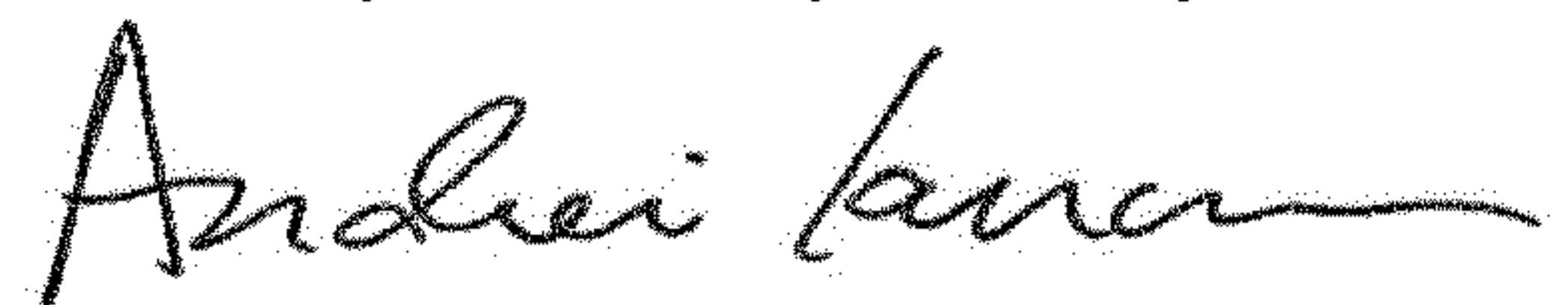
Page 1 of 1

It is certified that error appears in the above-identified patent and that said Letters Patent is hereby corrected as shown below:

On the Title Page

Item (72), please replace "Gateshead" with --Gateshead, Tyne and Wear-- therefore.

Signed and Sealed this
Twenty-first Day of May, 2019



Andrei Iancu
Director of the United States Patent and Trademark Office