



US00D831067S

(12) **United States Design Patent**  
**Ekstrand et al.**

(10) **Patent No.:** **US D831,067 S**

(45) **Date of Patent:** **\*\* Oct. 16, 2018**

(54) **DISPLAY SCREEN OR PORTION THEREOF WITH ANIMATED GRAPHICAL USER INTERFACE**

(71) Applicant: **HUAWEI TECHNOLOGIES CO., LTD.**, Shenzhen (CN)

(72) Inventors: **Simon Ekstrand**, Shenzhen (CN); **Fredrik Andreasson**, Shenzhen (CN); **Zhiyan Yang**, Shenzhen (CN); **Hang Li**, Shenzhen (CN); **Hyunjin Kim**, Shenzhen (CN); **Xue Yang**, Shenzhen (CN); **Shouyu Wang**, Shenzhen (CN)

(73) Assignee: **Huawei Technologies Co., Ltd.** (CN)

(\*\*) Term: **15 Years**

(21) Appl. No.: **29/581,466**

(22) Filed: **Oct. 19, 2016**

(51) **LOC (11) Cl.** ..... **14-04**

(52) **U.S. Cl.**  
USPC ..... **D14/489**

(58) **Field of Classification Search**  
USPC ..... D14/485–495; 345/1.1, 1.2, 2.1–2.3, 3.1, 345/902; 715/763, 810, 836, 837, 846, 715/847, 977

(Continued)

(56) **References Cited**

**U.S. PATENT DOCUMENTS**

D651,613 S \* 1/2012 Ouilhet ..... D14/491  
D716,823 S \* 11/2014 Wood ..... D14/485

(Continued)

**OTHER PUBLICATIONS**

“Coin—All Your Cards, One App.” pptrns.com, accessed via Internet Archive Wayback Machine. Available May 10, 2015. Accessed Aug. 1, 2018. Available online via URL: <<https://web.archive.org/web/20150510000439/http://ptrns.com:80/applications/402>> (Year: 2015).\*

(Continued)

*Primary Examiner* — Cathron C Brooks  
*Assistant Examiner* — Christian P. McLean  
(74) *Attorney, Agent, or Firm* — Design IP

(57) **CLAIM**

The ornamental design for a display screen or portion thereof with animated graphical user interface, as shown and described.

**DESCRIPTION**

FIG. 1 is a front view of a first image of a first embodiment of a display screen or portion thereof with animated graphical user interface showing our new design; FIG. 2 is a front view of a second image thereof; FIG. 3 is a front view of a third image thereof; FIG. 4 is a front view of a fourth image thereof; FIG. 5 is a front view of a fifth image thereof; FIG. 6 is a front view of a sixth image thereof; FIG. 7 is a front view of a seventh image thereof; FIG. 8 is a front view of an eighth image thereof; FIG. 9 is a front view of a ninth image thereof; FIG. 10 is a front view of a first image of a second embodiment of a display screen or portion thereof with animated graphical user interface showing our new design; FIG. 11 is a front view of a second image thereof; FIG. 12 is a front view of a third image thereof; FIG. 13 is a front view of a fourth image thereof; FIG. 14 is a front view of a fifth image thereof; FIG. 15 is a front view of a sixth image thereof; FIG. 16 is a front view of a seventh image thereof; FIG. 17 is a front view of an eighth image thereof; FIG. 18 is a front view of a ninth image thereof; FIG. 19 is a front view of a first image of a third embodiment of a display screen or portion thereof with animated graphical user interface showing our new design; FIG. 20 is a front view of a second image thereof; FIG. 21 is a front view of a third image thereof; FIG. 22 is a front view of a fourth image thereof; FIG. 23 is a front view of a fifth image thereof; FIG. 24 is a front view of a sixth image thereof; FIG. 25 is a front view of a seventh image thereof;

(Continued)

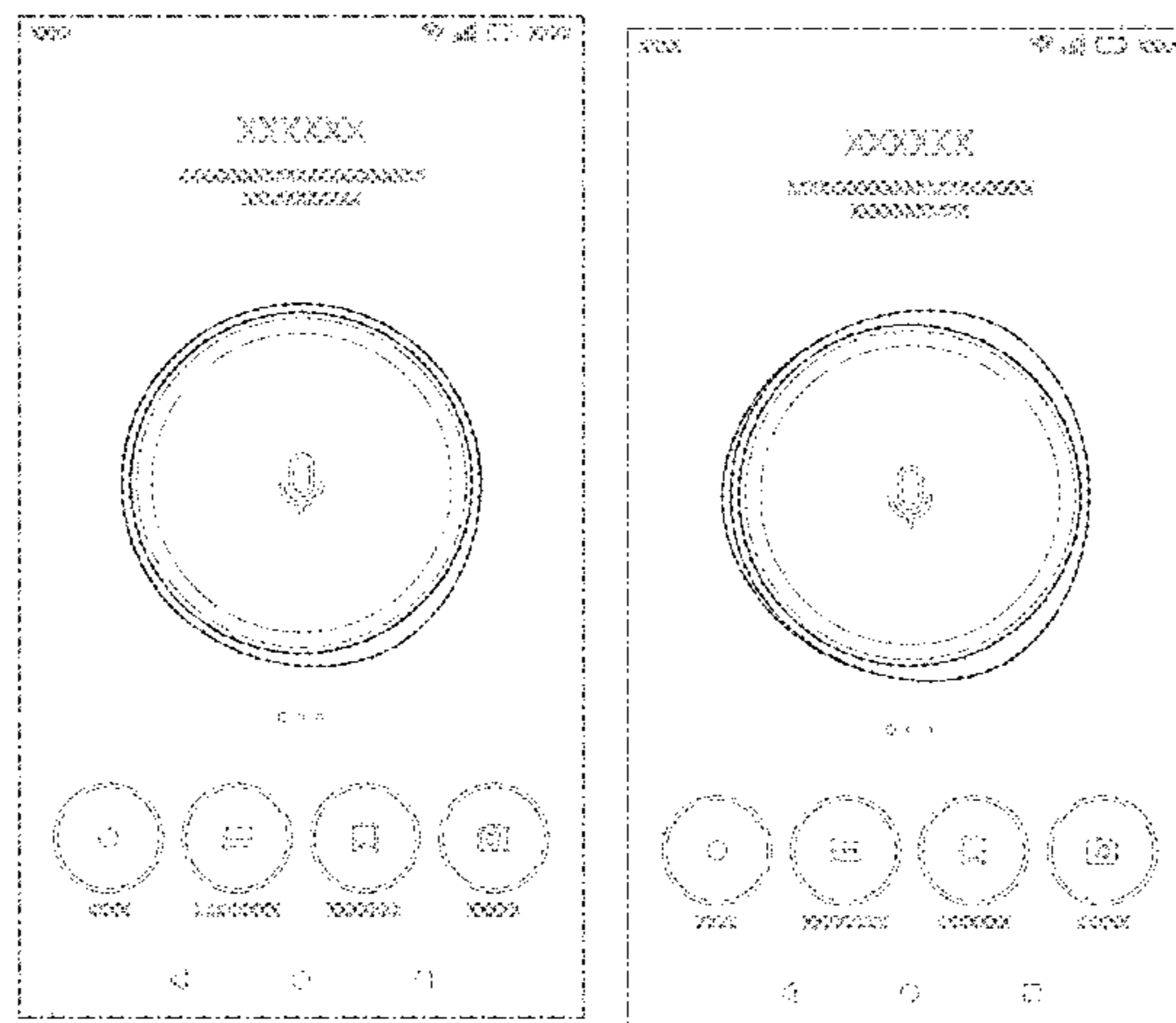


FIG. 26 is a front view of an eighth image thereof;  
 FIG. 27 is a front view of a ninth image thereof;  
 FIG. 28 is a front view of a first image of a fourth embodiment of a display screen or portion thereof with animated graphical user interface showing our new design;  
 FIG. 29 is a front view of a second image thereof;  
 FIG. 30 is a front view of a third image thereof;  
 FIG. 31 is a front view of a fourth image thereof;  
 FIG. 32 is a front view of a fifth image thereof;  
 FIG. 33 is a front view of a sixth image thereof;  
 FIG. 34 is a front view of a seventh image thereof;  
 FIG. 35 is a front view of an eighth image thereof;  
 FIG. 36 is a front view of a ninth image thereof;  
 FIG. 37 is a front view of a first image of a fifth embodiment of a display screen or portion thereof with animated graphical user interface showing our new design;  
 FIG. 38 is a front view of a second image thereof;  
 FIG. 39 is a front view of a third image thereof;  
 FIG. 40 is a front view of a fourth image thereof;  
 FIG. 41 is a front view of a fifth image thereof;  
 FIG. 42 is a front view of a sixth image thereof;  
 FIG. 43 is a front view of a seventh image thereof;  
 FIG. 44 is a front view of an eighth image thereof; and,  
 FIG. 45 is a front view of a ninth image thereof.

In the first embodiment, the appearance of the transitional image sequentially transitions between the images shown in FIGS. 1 through 9. In the second embodiment, the appearance of the transitional image sequentially transitions between the images shown in FIGS. 10 through 18. In the third embodiment, the appearance of the transitional image sequentially transitions between the images shown in FIGS. 19 through 27. In the fourth embodiment, the appearance of the transitional image sequentially transitions between the images shown in FIGS. 28 through 36. In the fifth embodiment, the appearance of the transitional image sequentially transitions between the images shown in FIGS. 37 through 45. The process or period in which one image transitions to another image forms no part of the claimed design.

The dash-dot showing a perimeter of a display screen in FIGS. 1 through 45 forms no part of the claimed design. The broken line showing of portions of the graphical user interface in FIGS. 1 through 45 forms no part of the claimed design.

**1 Claim, 45 Drawing Sheets**

(58) **Field of Classification Search**

CPC .... G06F 3/048; G06F 3/0481; G06F 3/04812;  
 G06F 3/04817; G06F 3/0482; G06F

3/0483; G06F 3/0484; G06F 3/04847;  
 G06F 3/0485; G06F 3/04855; G06F  
 3/04886; G06Q 30/00; H03J 1/00; H03J  
 1/0008; H03J 1/0016; H03J 1/0025;  
 H04N 5/00; H04N 5/08; H04N 5/14;  
 H04N 5/222; H04N 5/225; H04N 5/232;  
 H04N 5/445; H04N 5/44543; H04N 5/45;  
 H04N 2005/44517; H04N 2005/44521;  
 H04N 2005/44526; H04N 2005/4453;  
 H04N 2005/44534; H04N 2005/44539;  
 H04N 2005/44547; H04N 2005/44556;  
 H04N 2005/4456; H04N 2005/44565;  
 H04N 2005/44569; H04N 2005/44573;  
 H04N 21/00; H04N 21/234; H04N  
 21/431; H04N 21/4312; H04N 21/4314;  
 H04N 21/4316

See application file for complete search history.

(56)

**References Cited**

U.S. PATENT DOCUMENTS

D729,837	S *	5/2015	Kang	.....	D14/487
D746,857	S *	1/2016	Rayit	.....	D14/488
D750,110	S *	2/2016	Amin	.....	D14/486
D762,655	S *	8/2016	Kai	.....	D14/485
D762,715	S *	8/2016	Williamson	.....	D14/488
D763,271	S *	8/2016	Everette	.....	D14/485
D763,870	S *	8/2016	Kim	.....	D14/485
D763,871	S *	8/2016	Yang	.....	D14/485
D763,908	S *	8/2016	Drozdz	.....	D14/485
D773,531	S *	12/2016	Toth	.....	D14/491
D778,295	S *	2/2017	Wang	.....	D14/486
D778,308	S *	2/2017	Wang	.....	D14/486
D784,363	S *	4/2017	Fleming	.....	D14/485
D789,391	S *	6/2017	Cabrera, Jr.	.....	D14/486
D789,985	S *	6/2017	Naour	.....	D14/488
D791,806	S *	7/2017	Brewington	.....	D14/486
D797,772	S *	9/2017	Mizono	.....	H04L 12/2807 D14/486
2016/0378323	A1 *	12/2016	Kresl	.....	G06F 3/04847 715/763

OTHER PUBLICATIONS

“Music Search.” uimovement.com. Date not available. Accessed Aug. 1, 2018. Available online at URL: <<https://uimovement.com/ui/1413/music-search/>> (Year: N/A).\*

\* cited by examiner

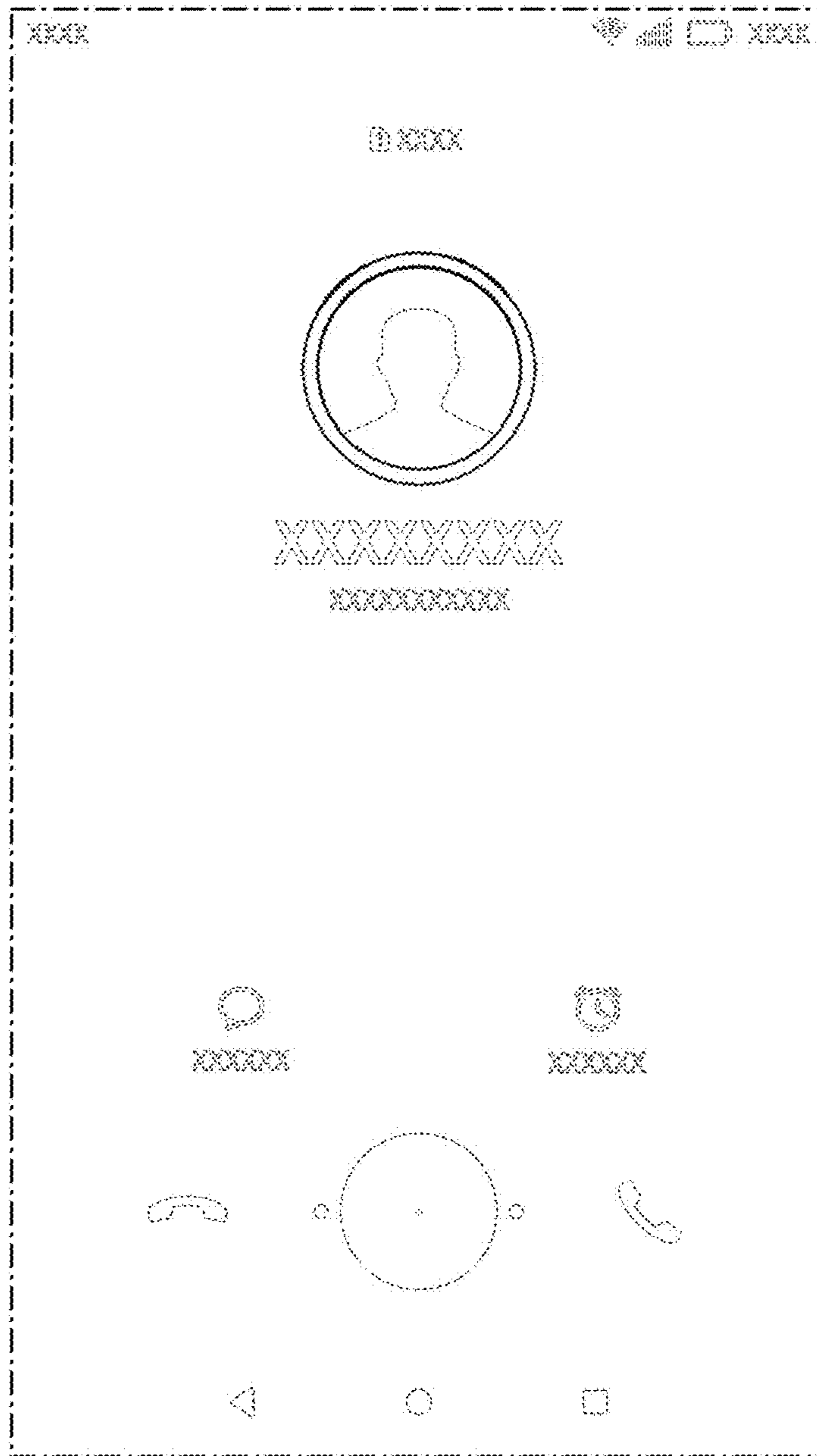


FIG. 1

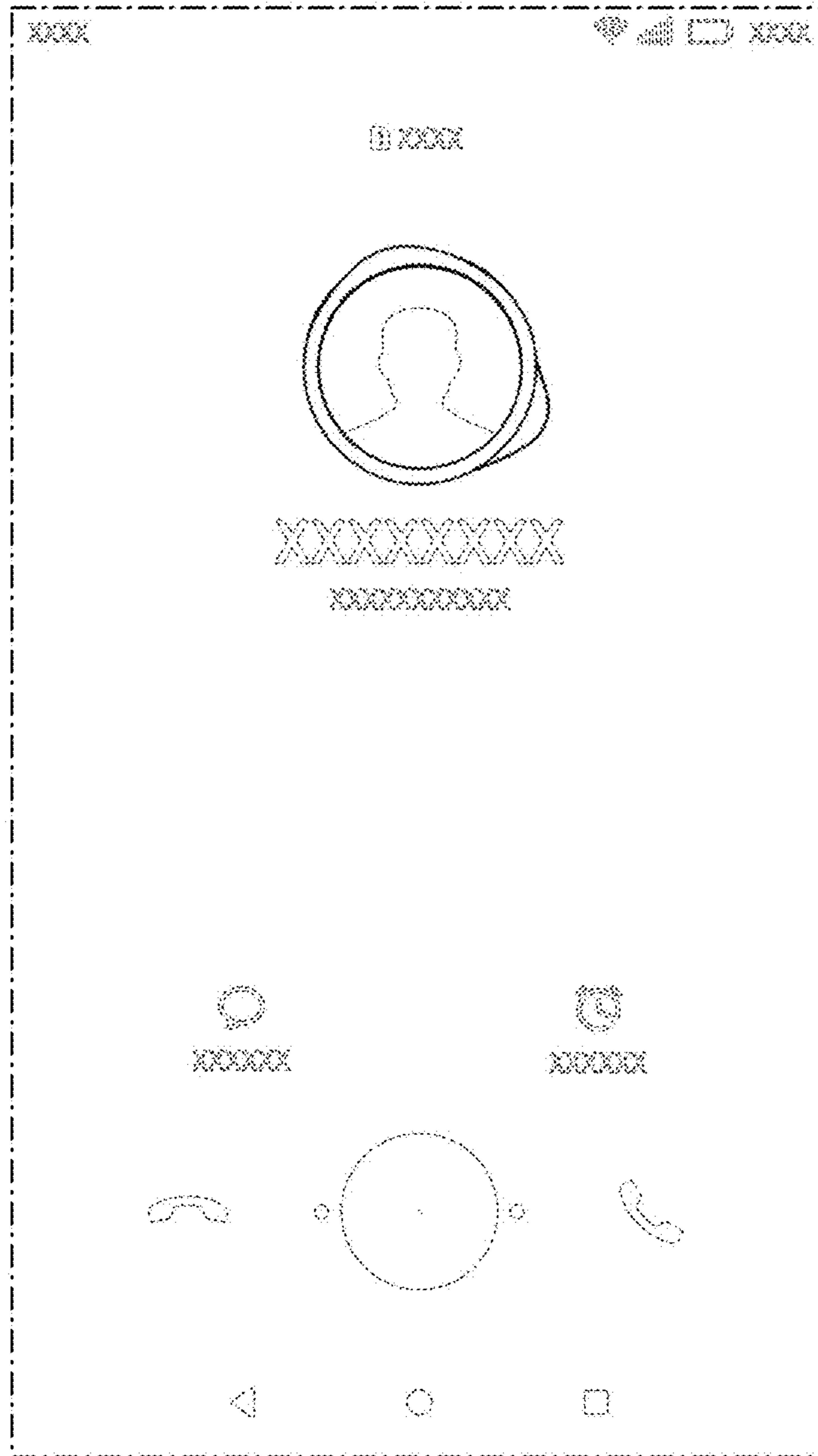


FIG. 2

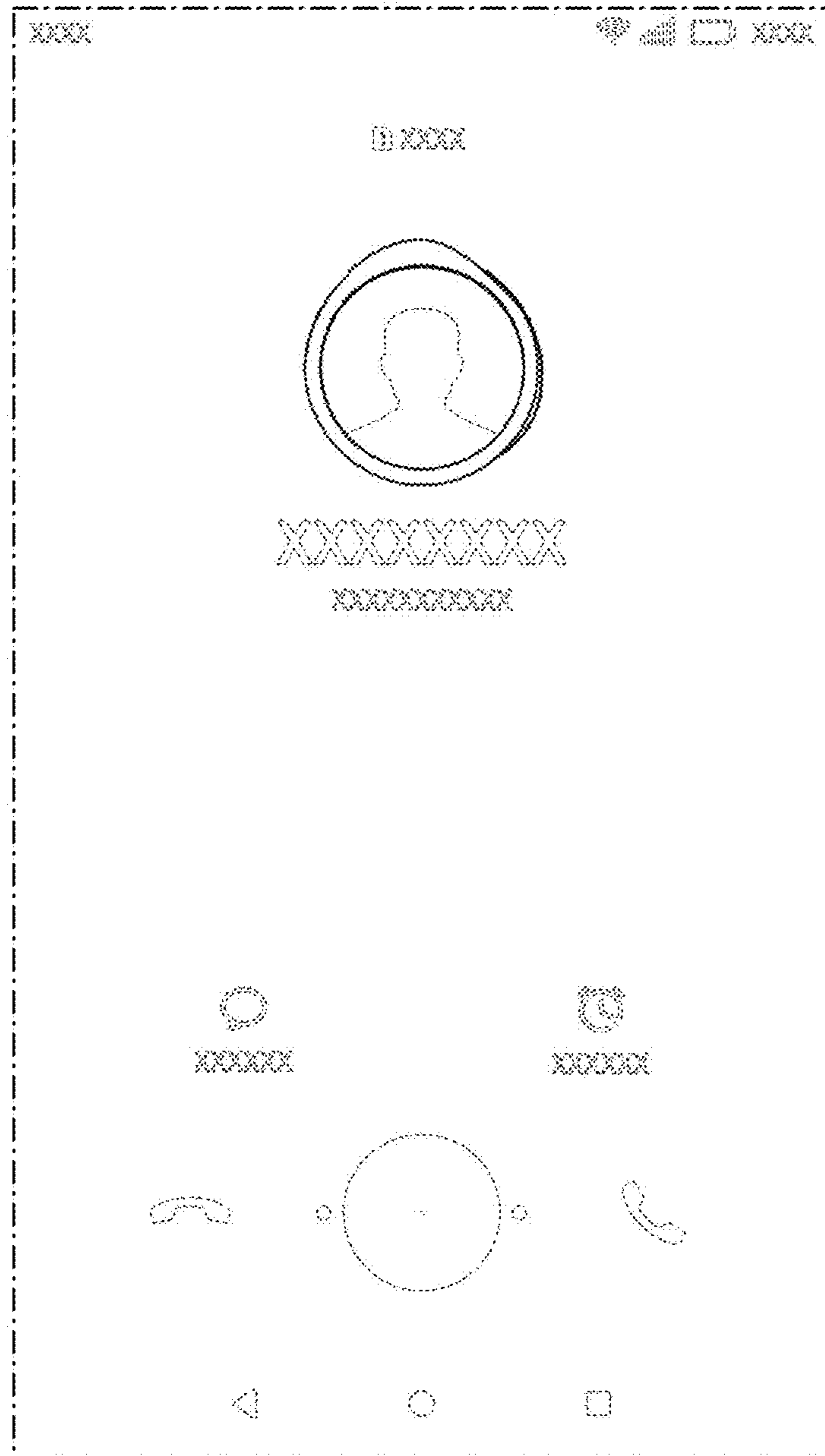


FIG. 3

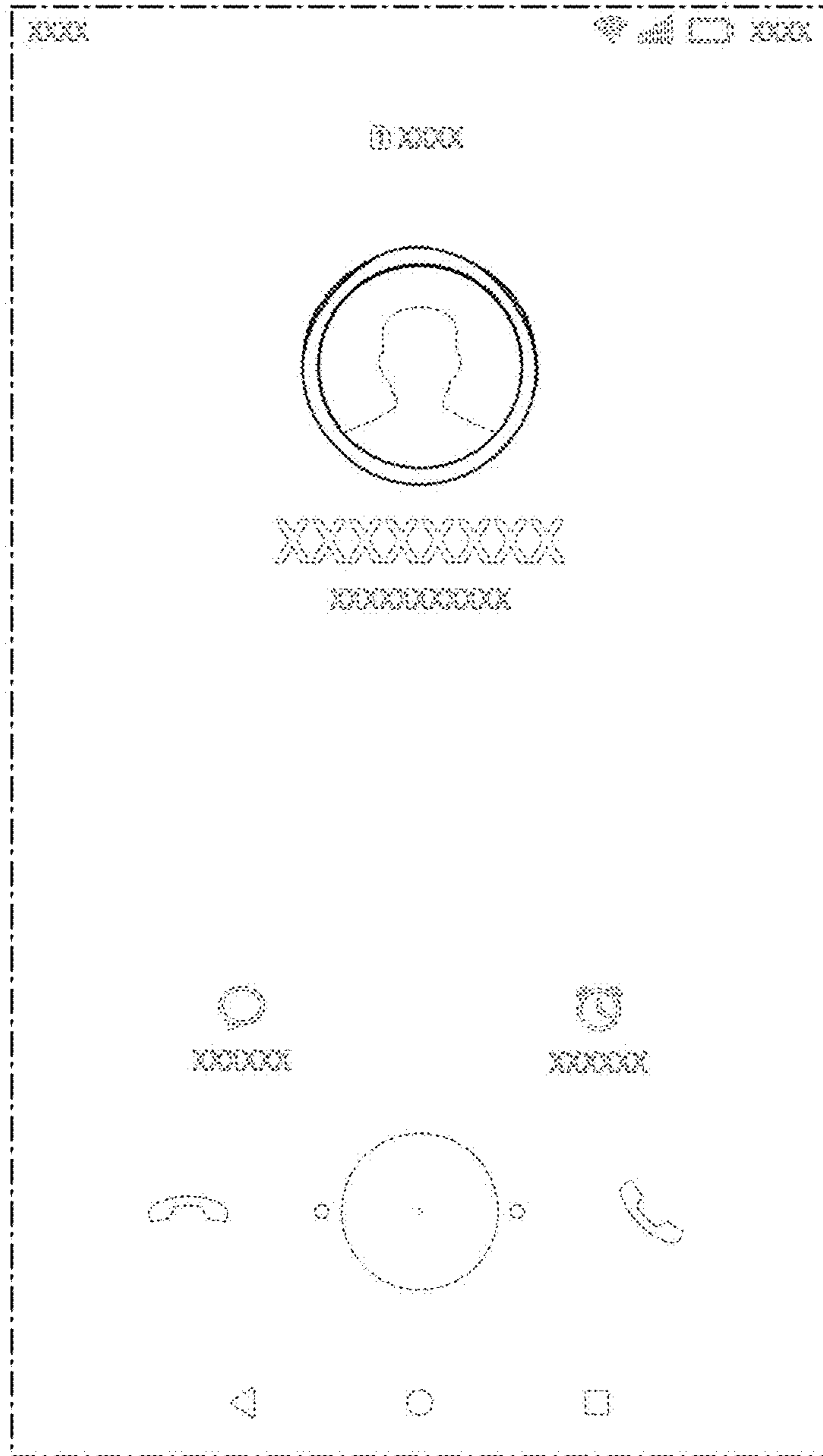


FIG. 4

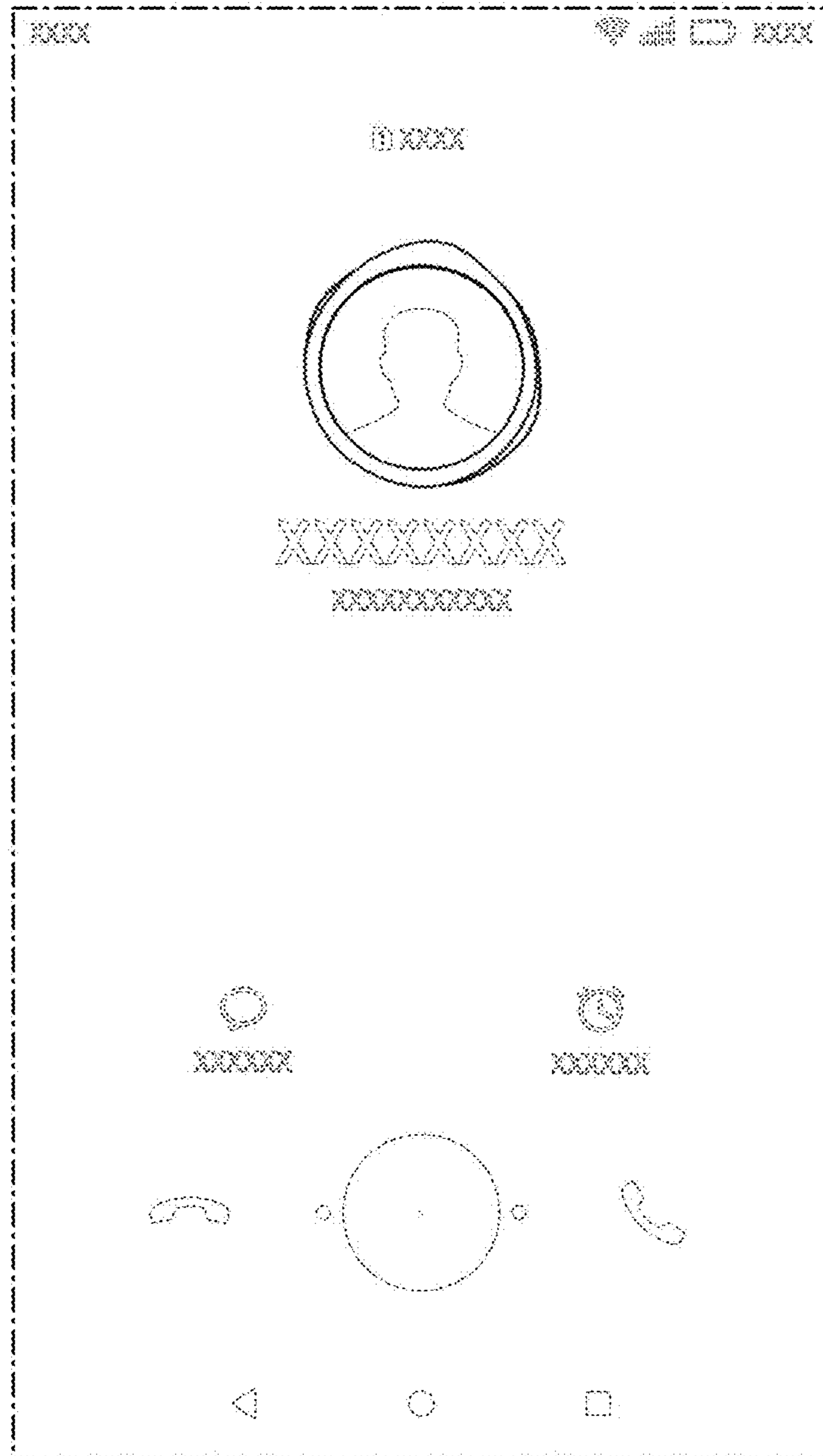


FIG. 5

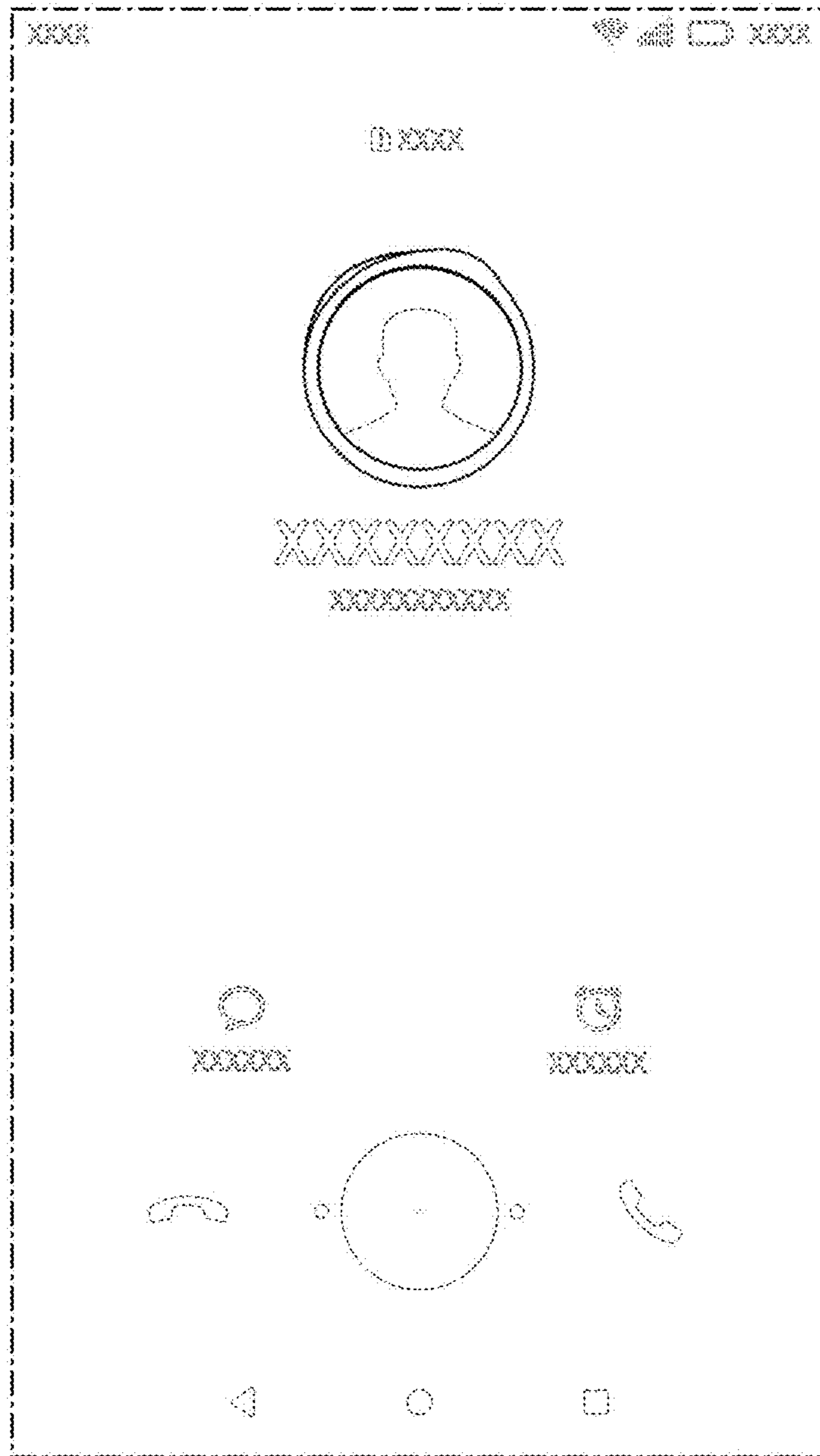


FIG. 6



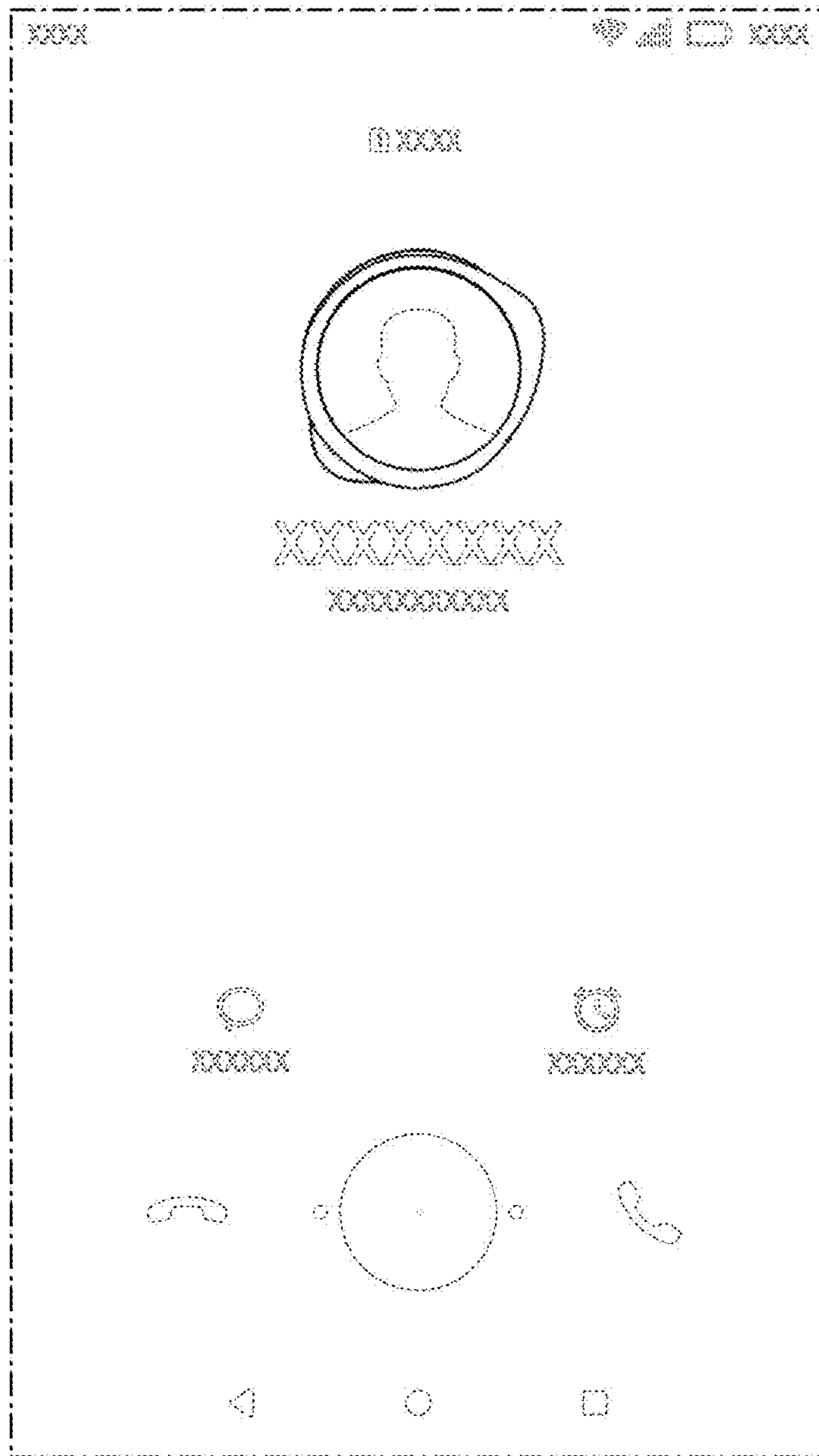


FIG. 7

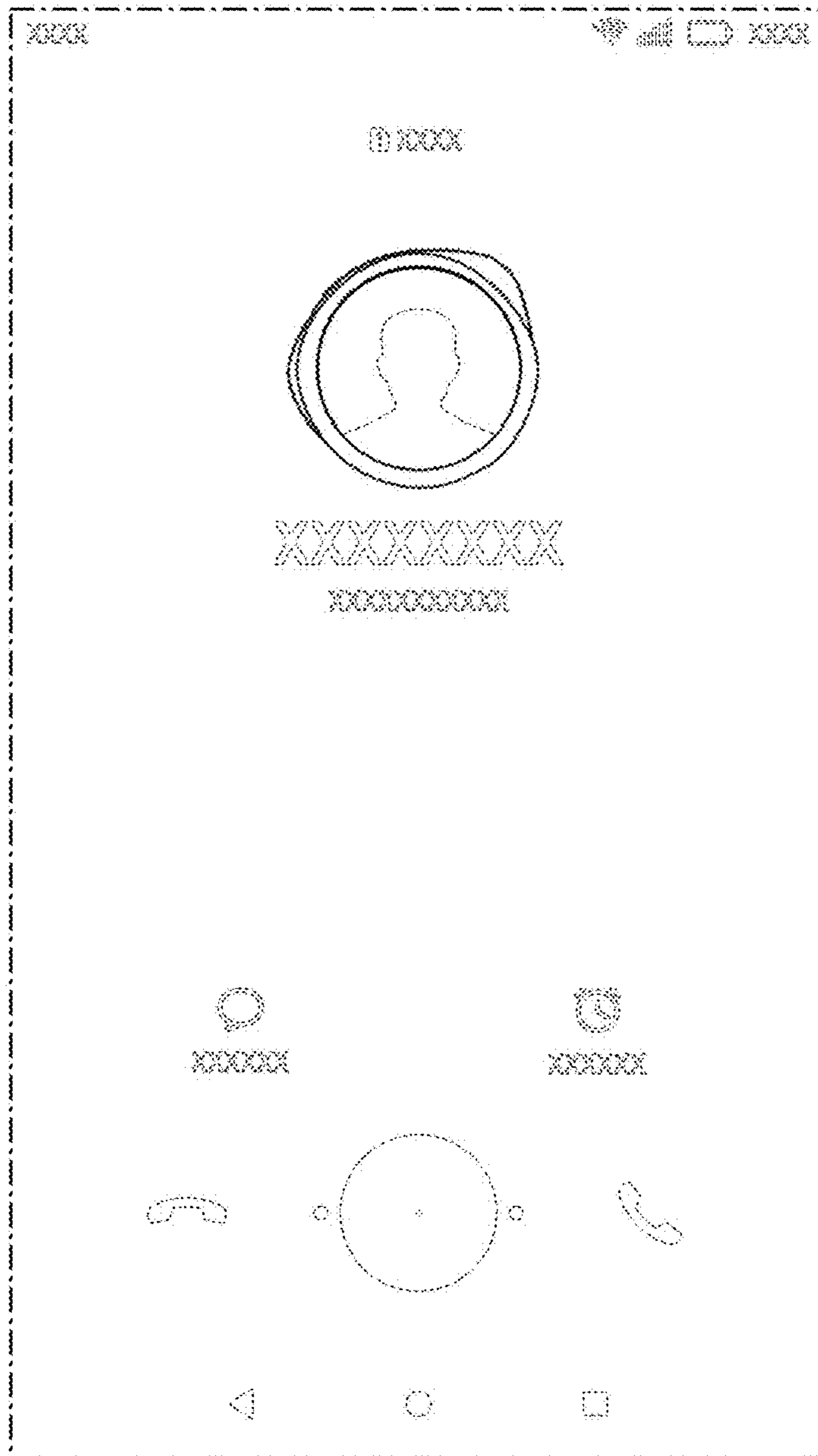


FIG. 8

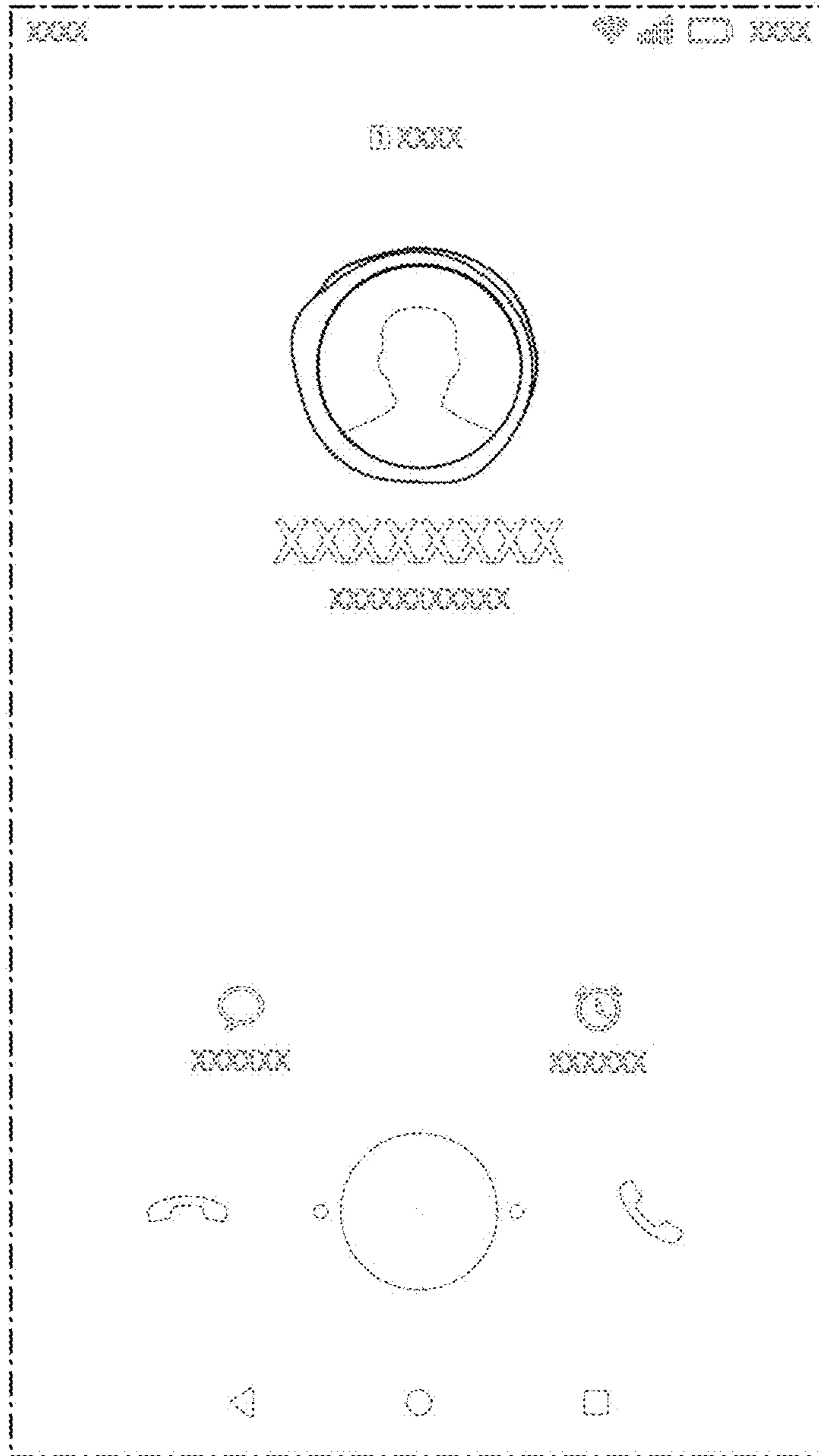


FIG. 9

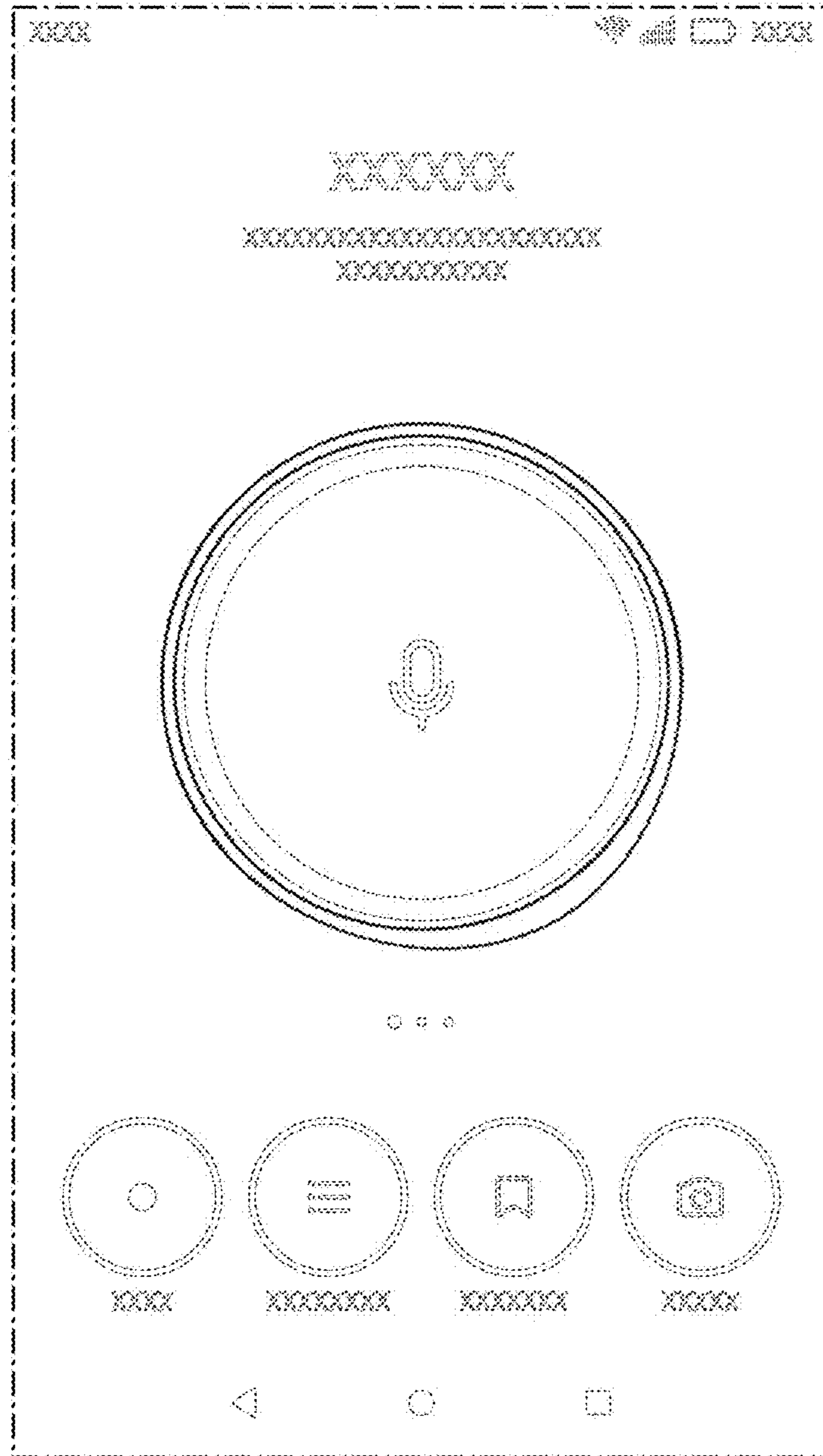


FIG. 10

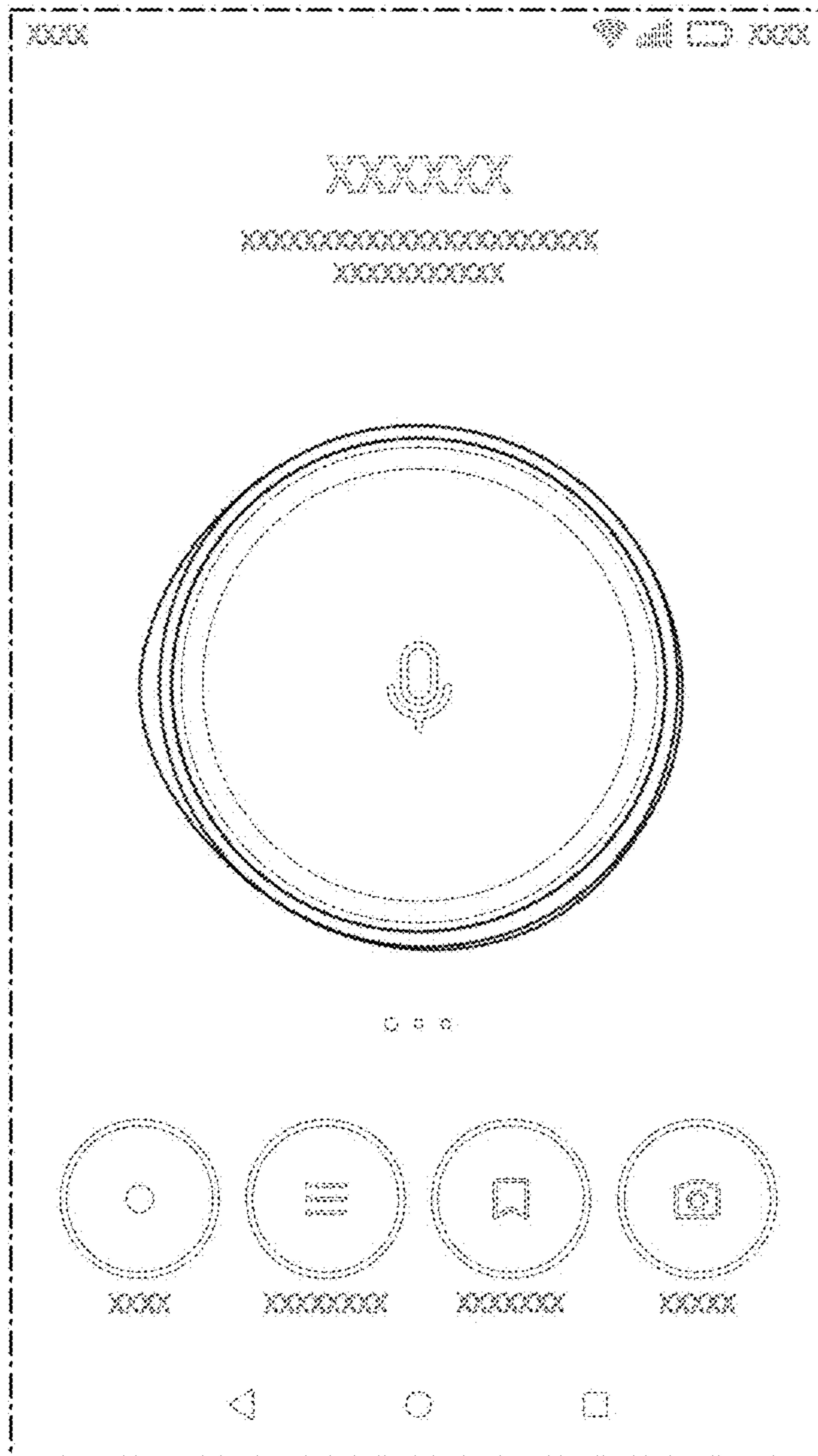


FIG. 11

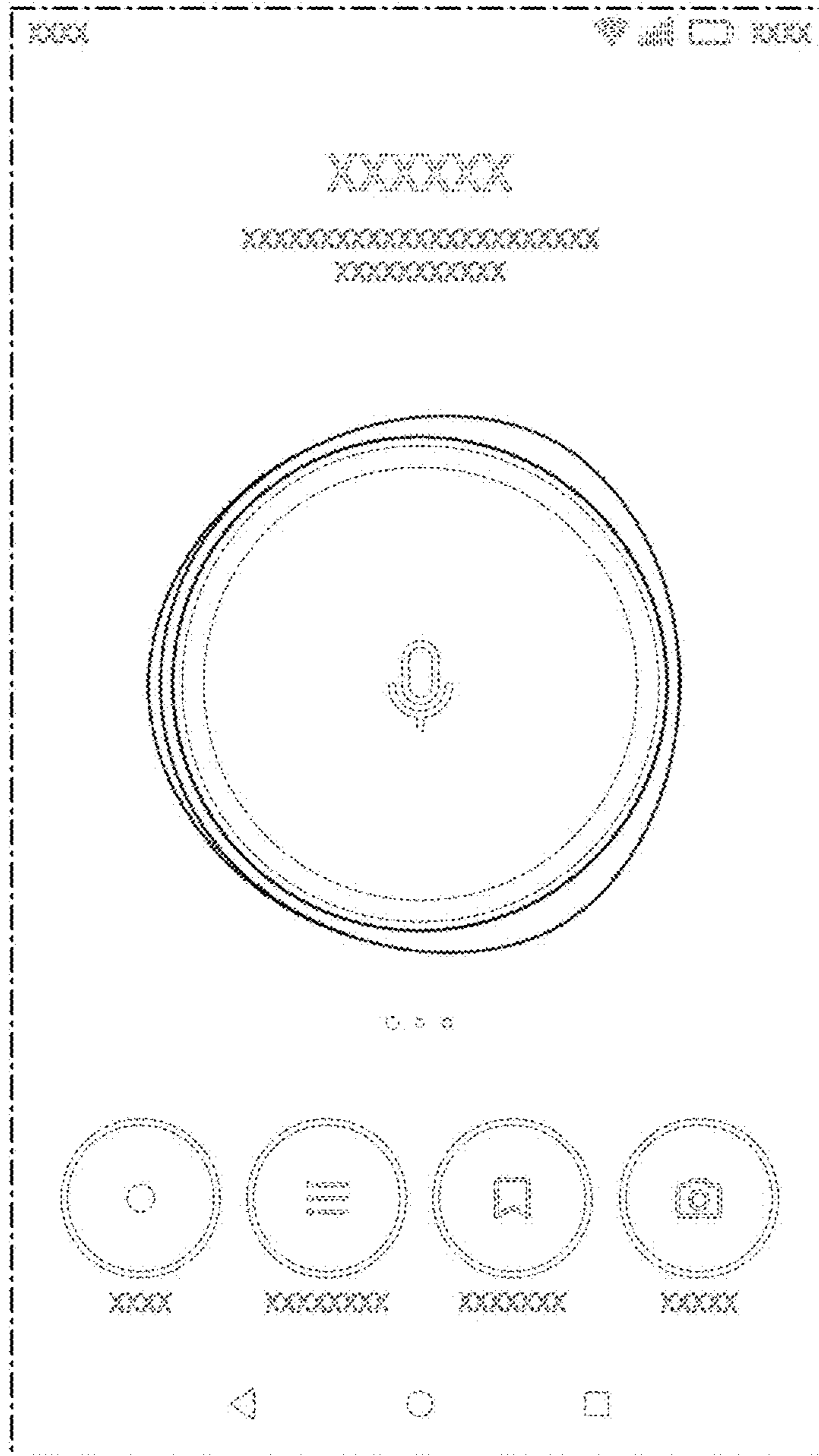


FIG. 12

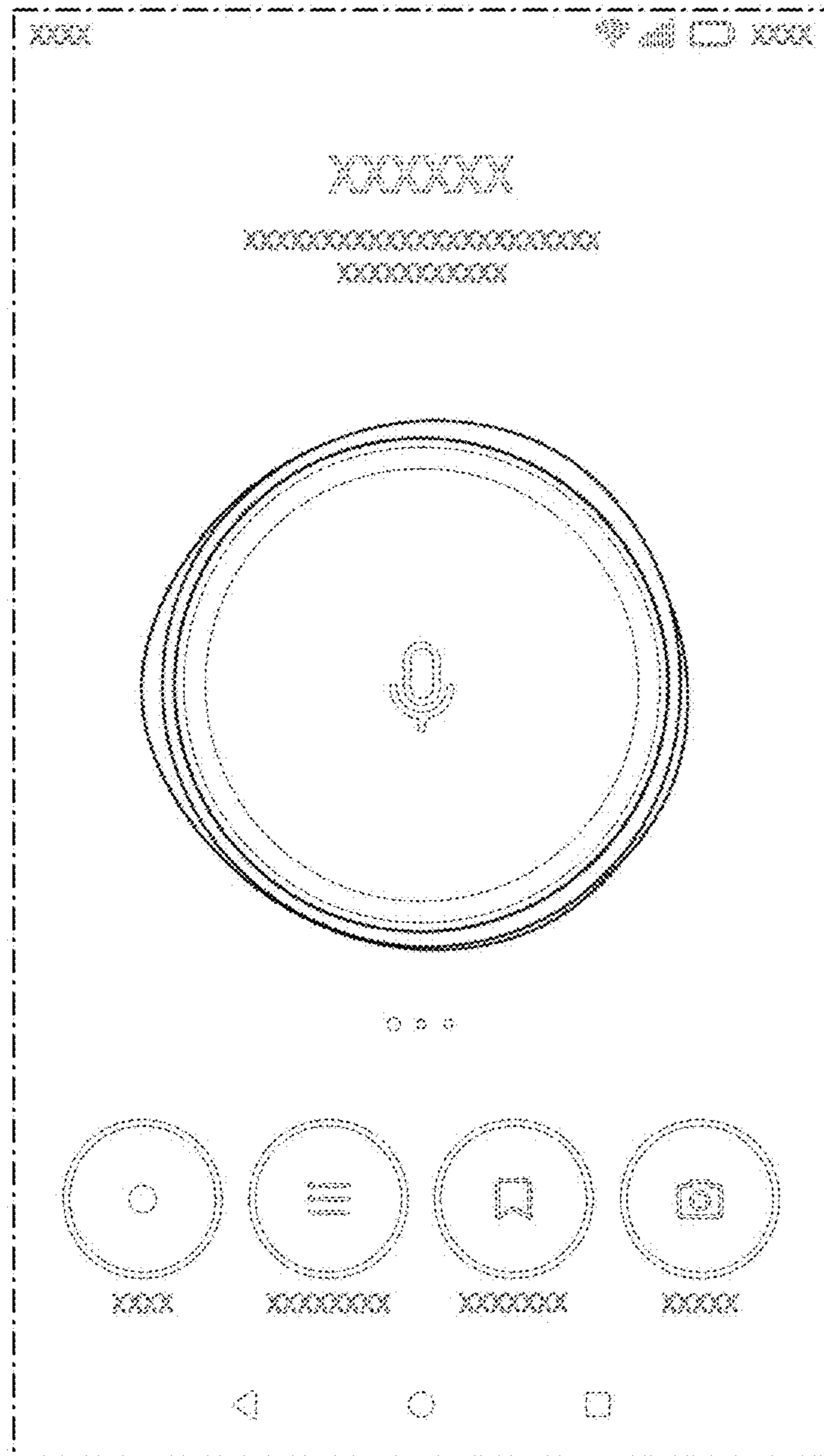


FIG. 13

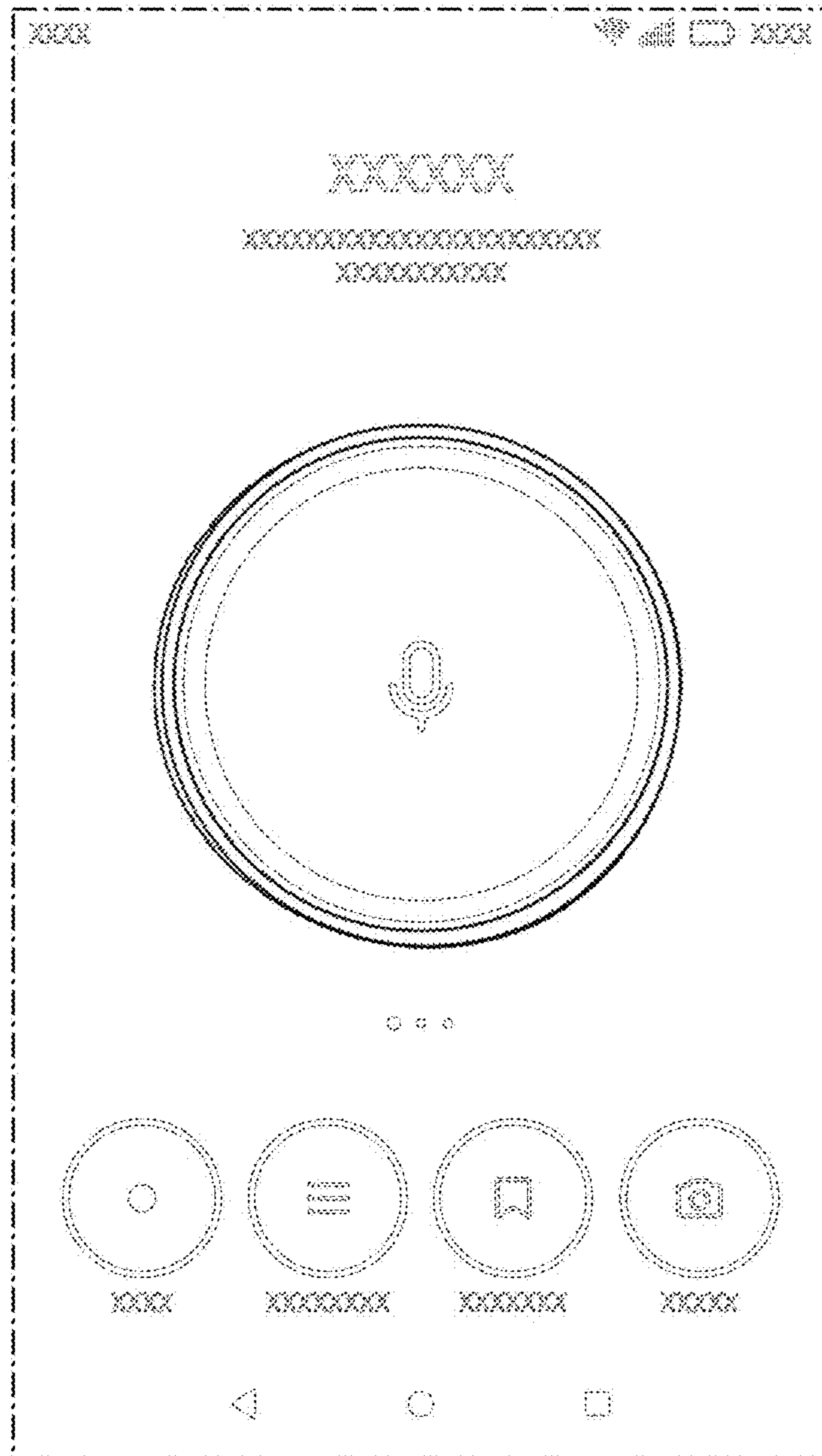


FIG. 14



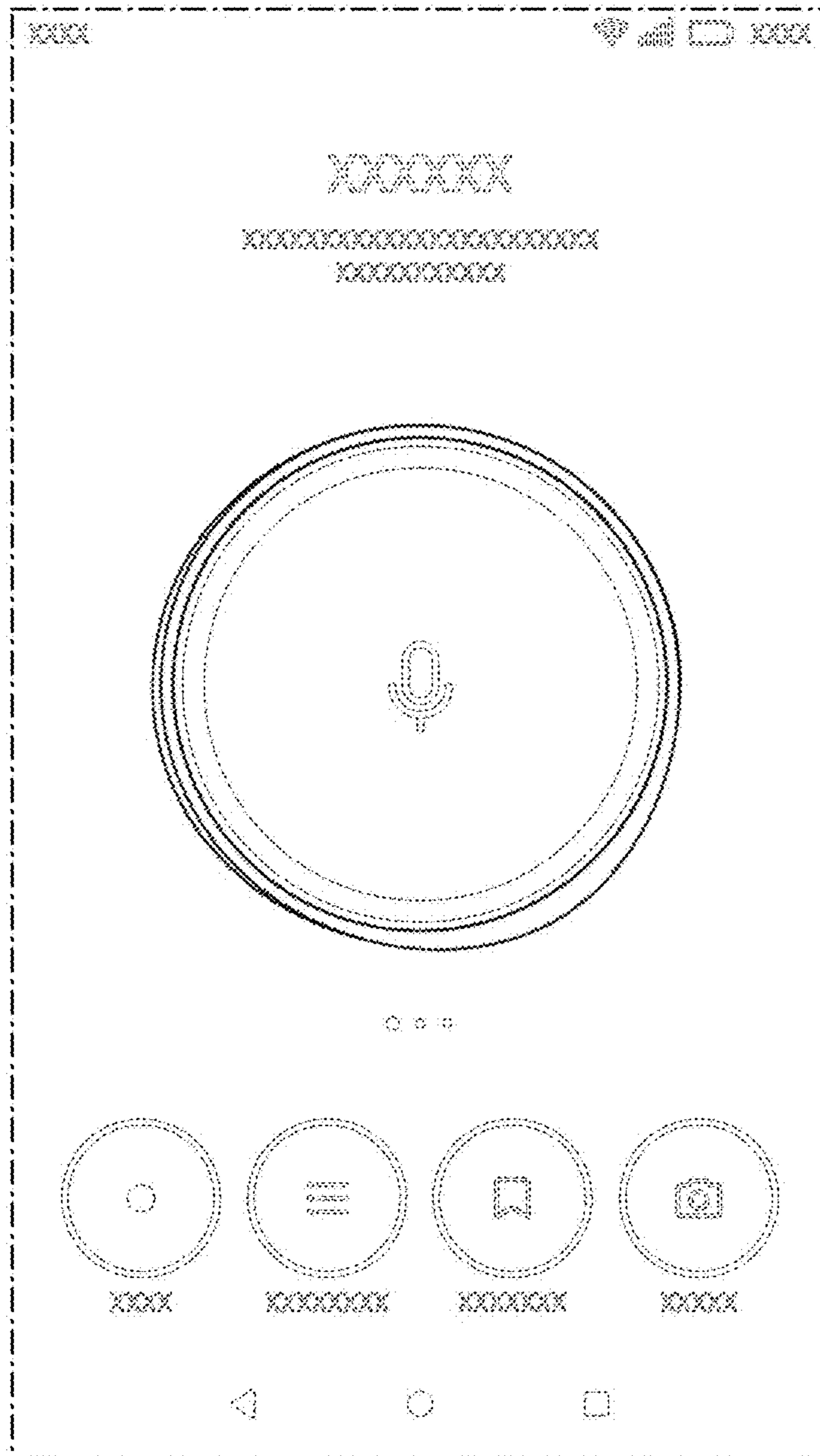


FIG. 15

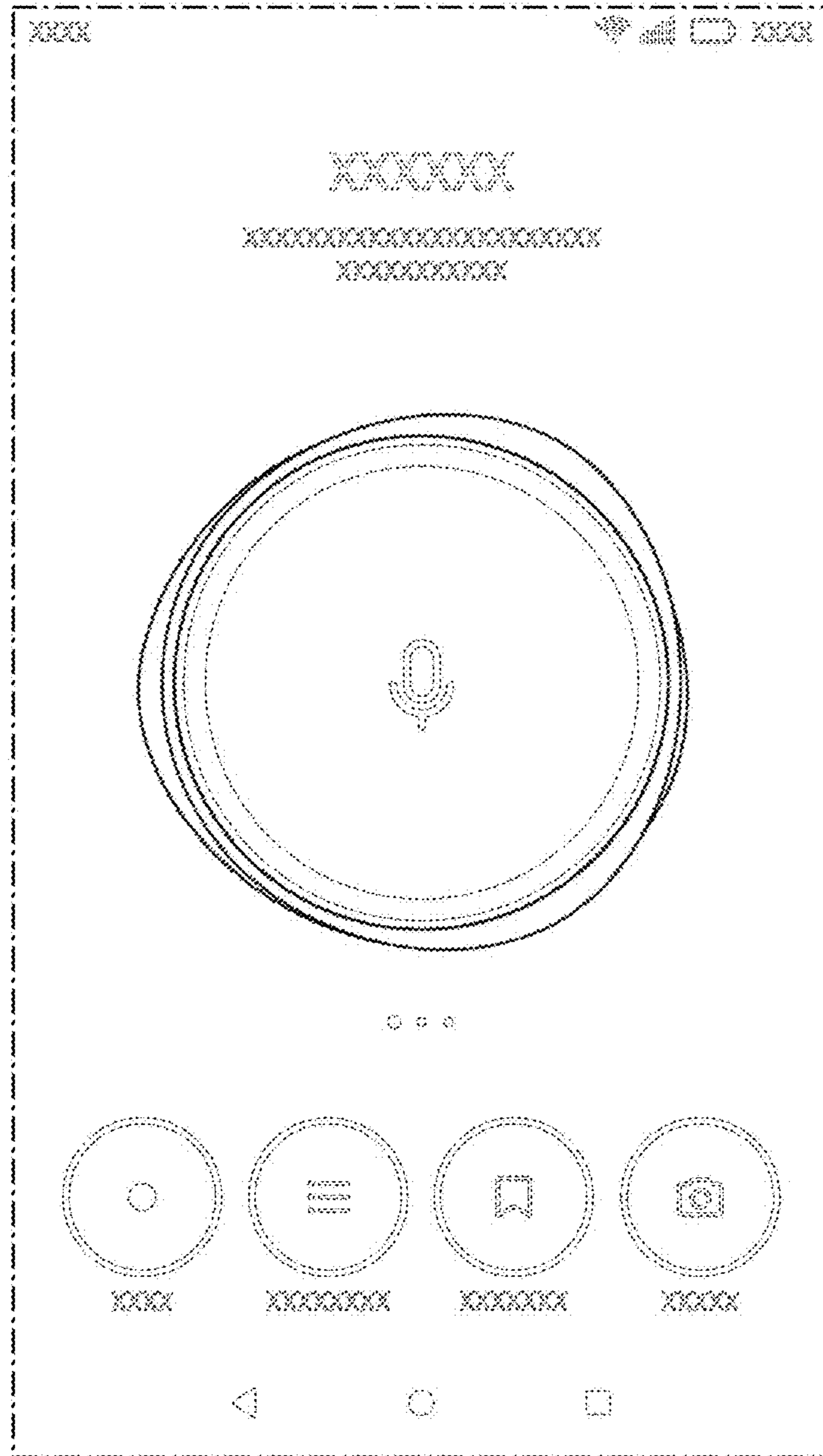


FIG. 16

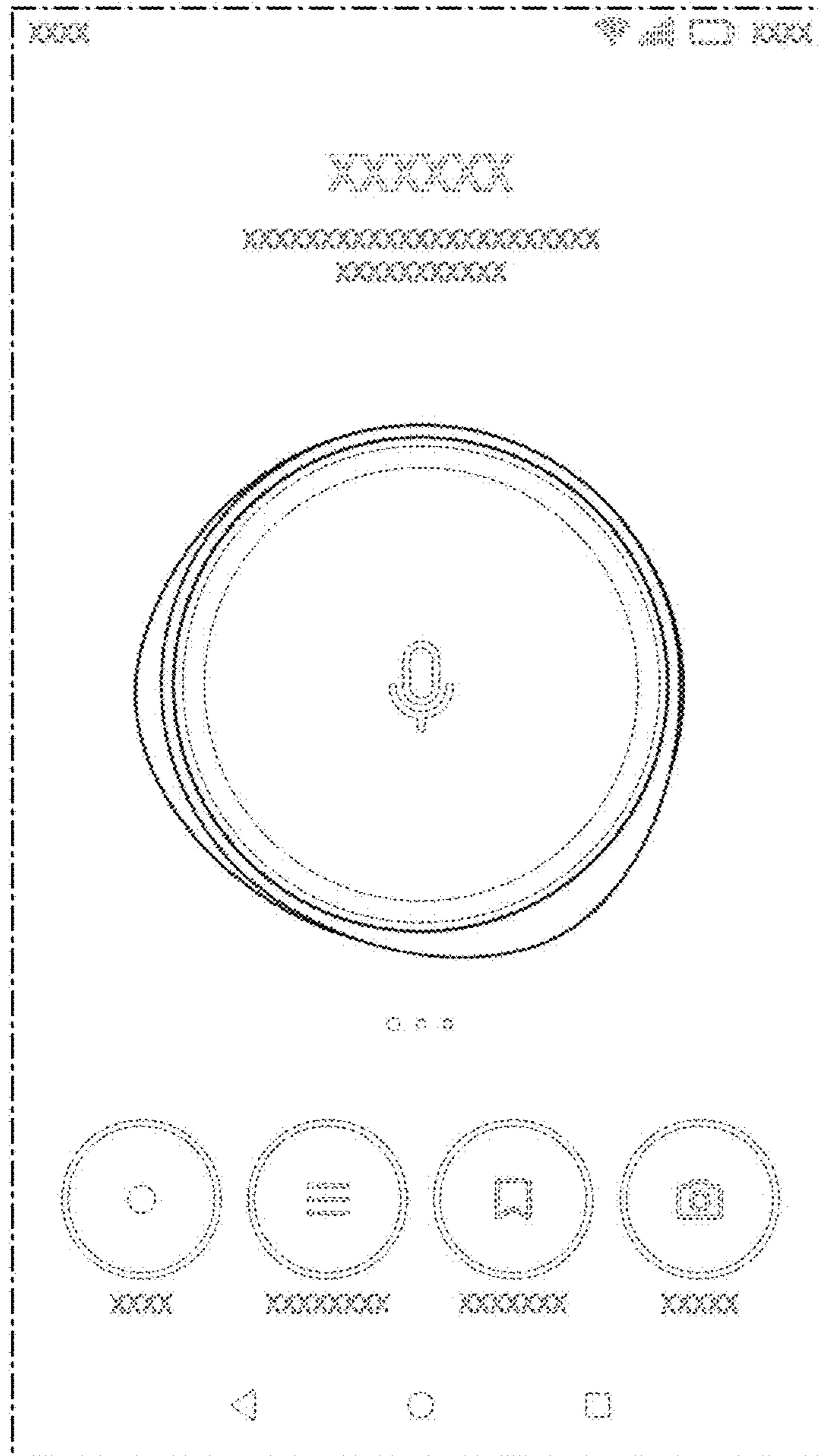


FIG. 17

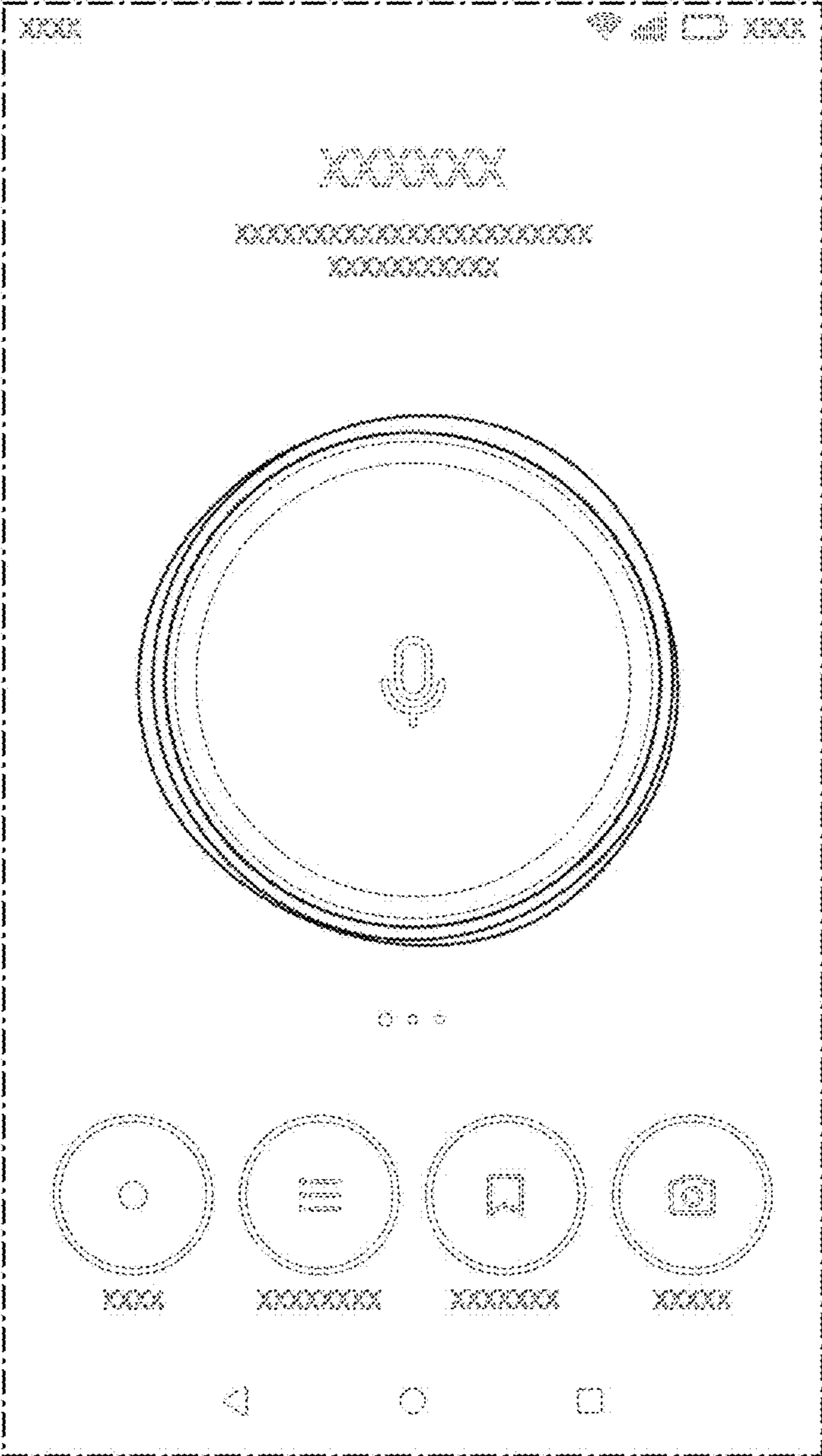


FIG. 18

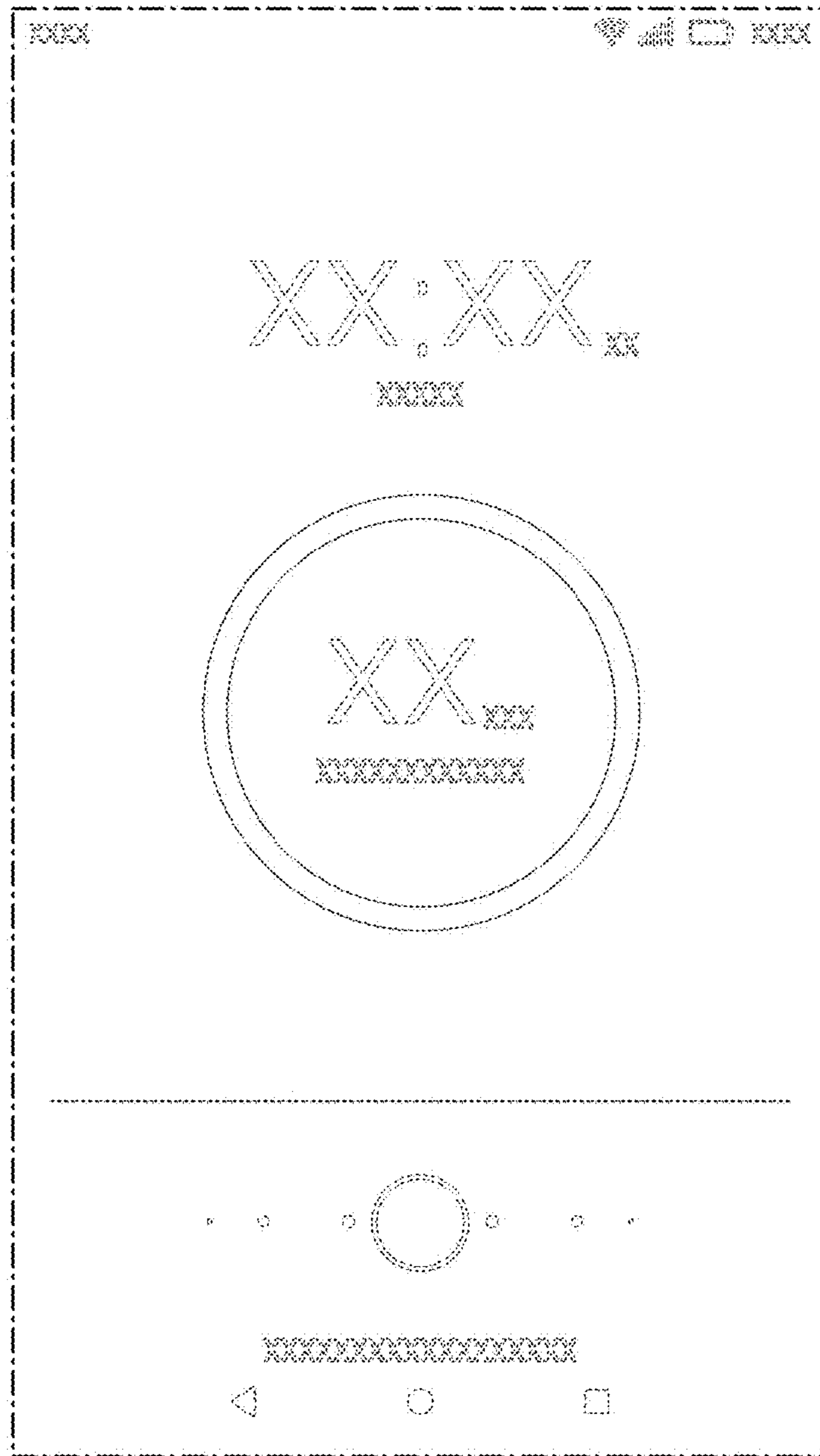


FIG. 19

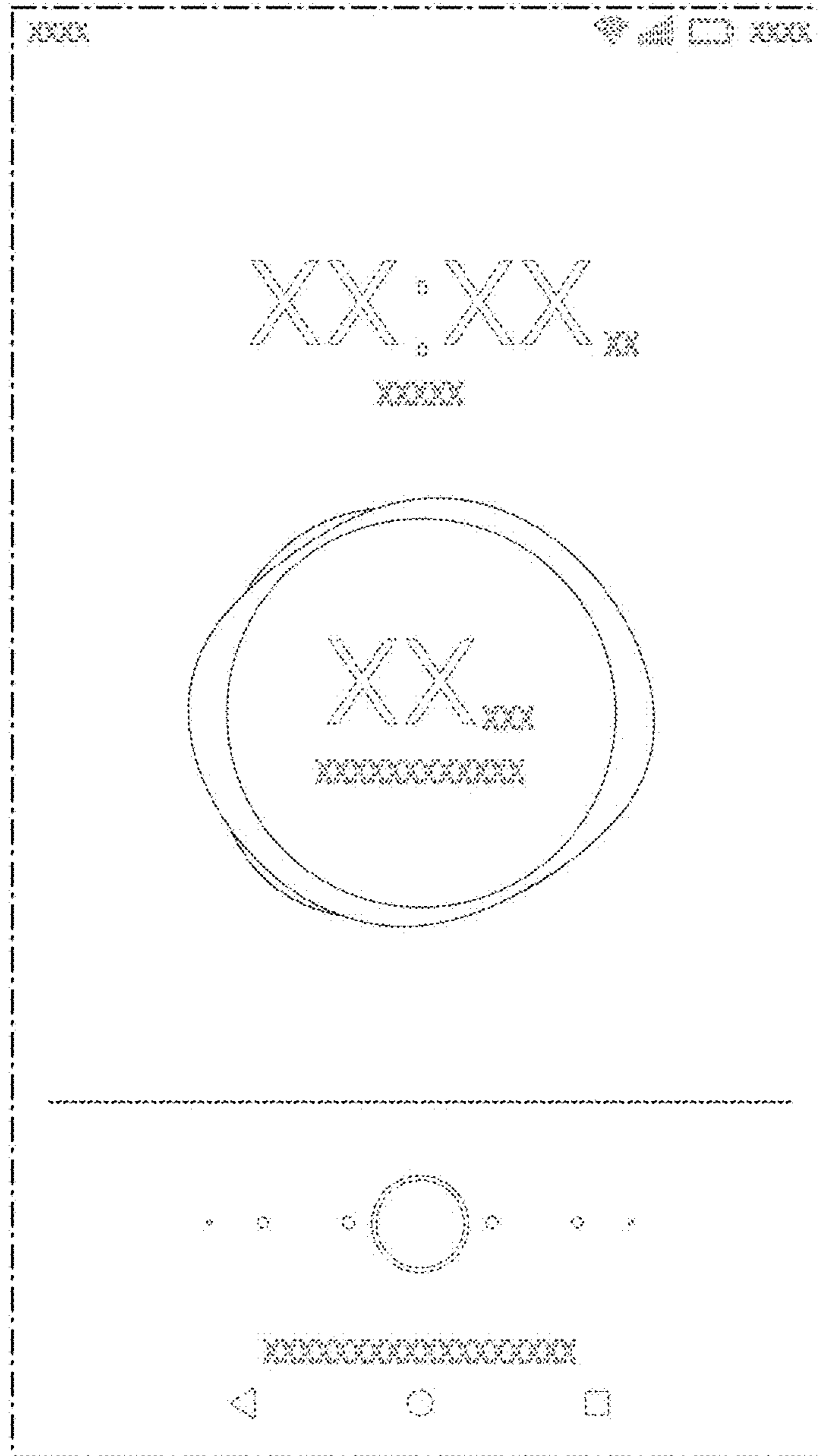


FIG. 20

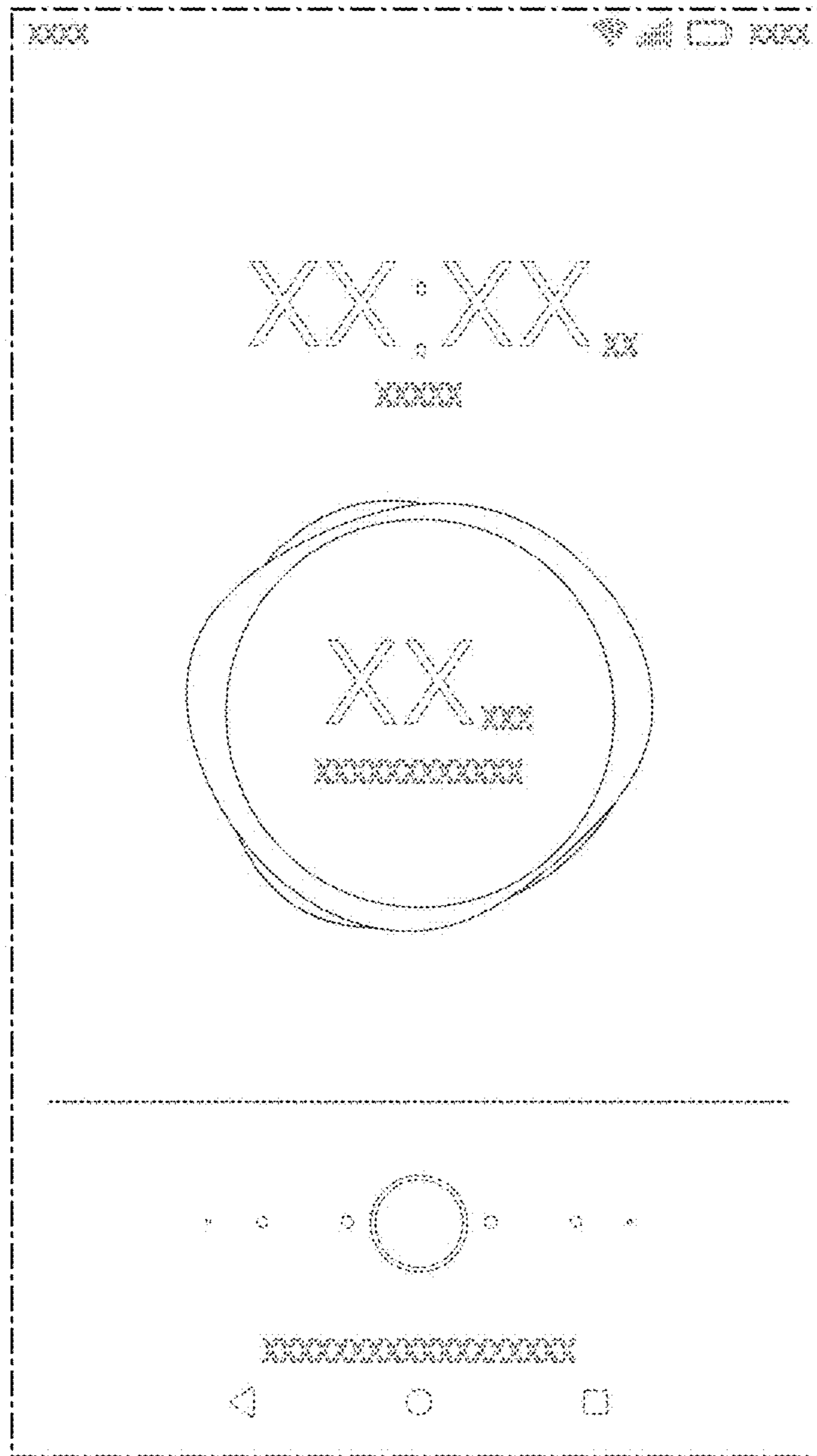


FIG. 21

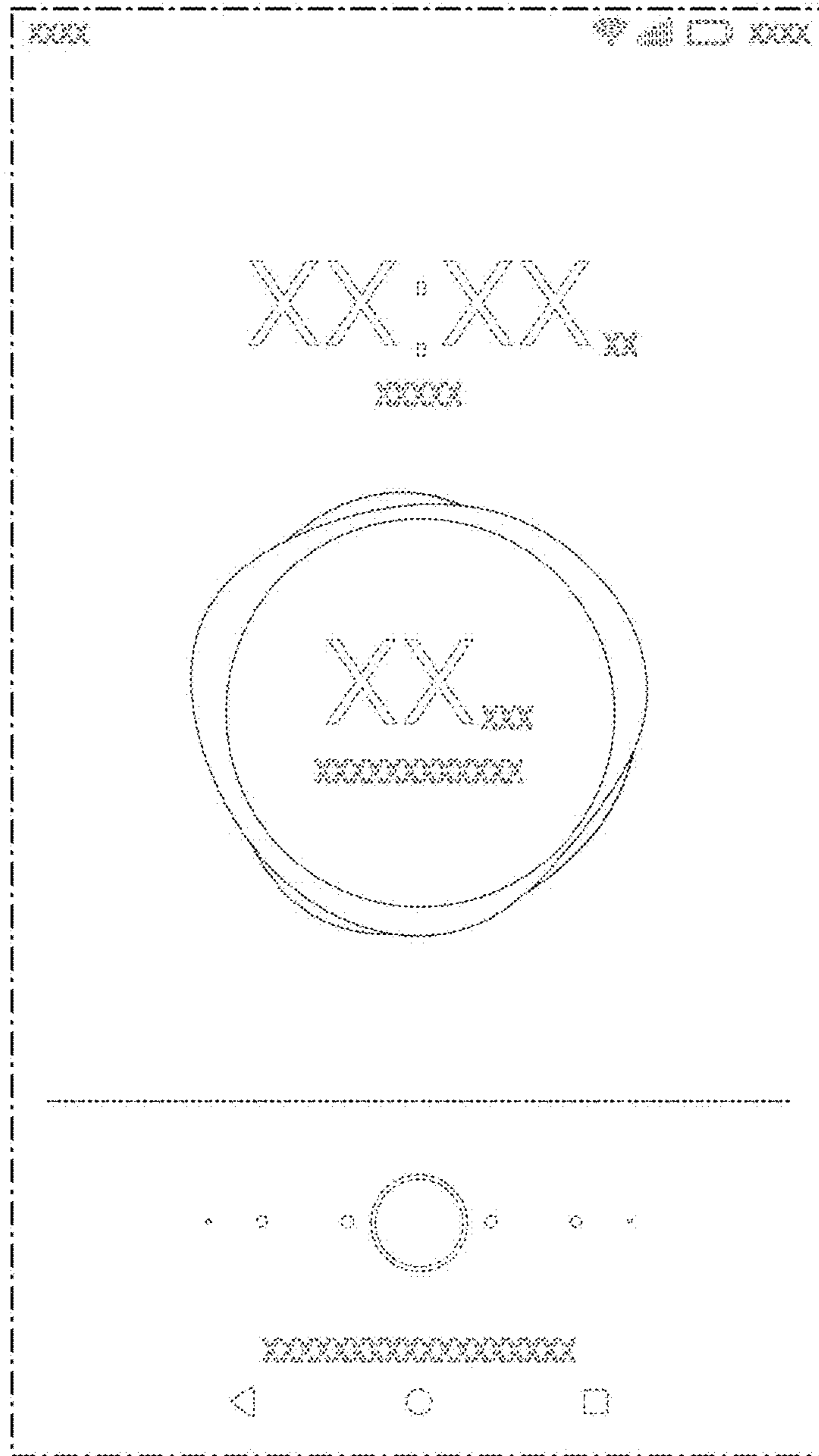


FIG. 22



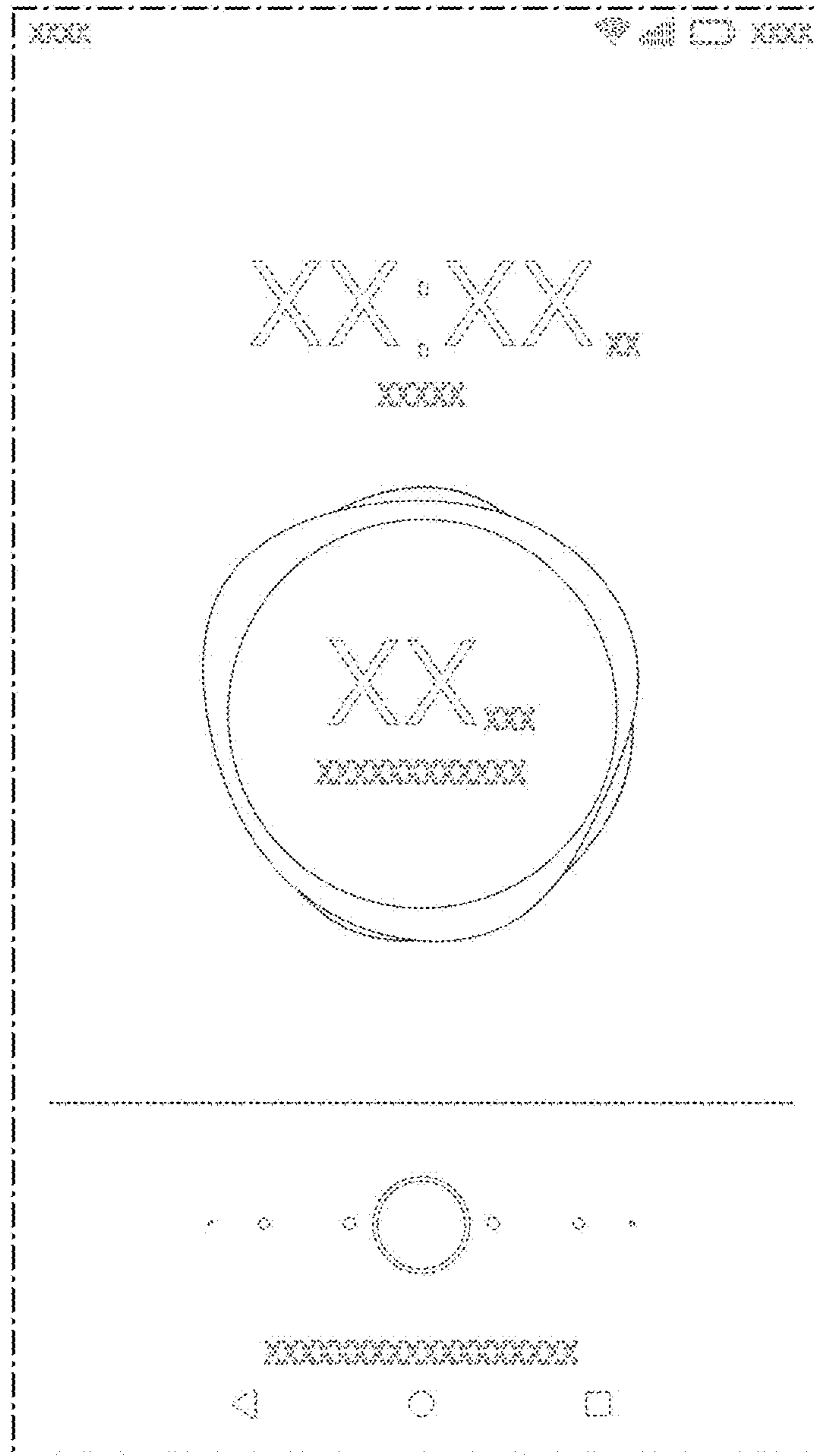


FIG. 23

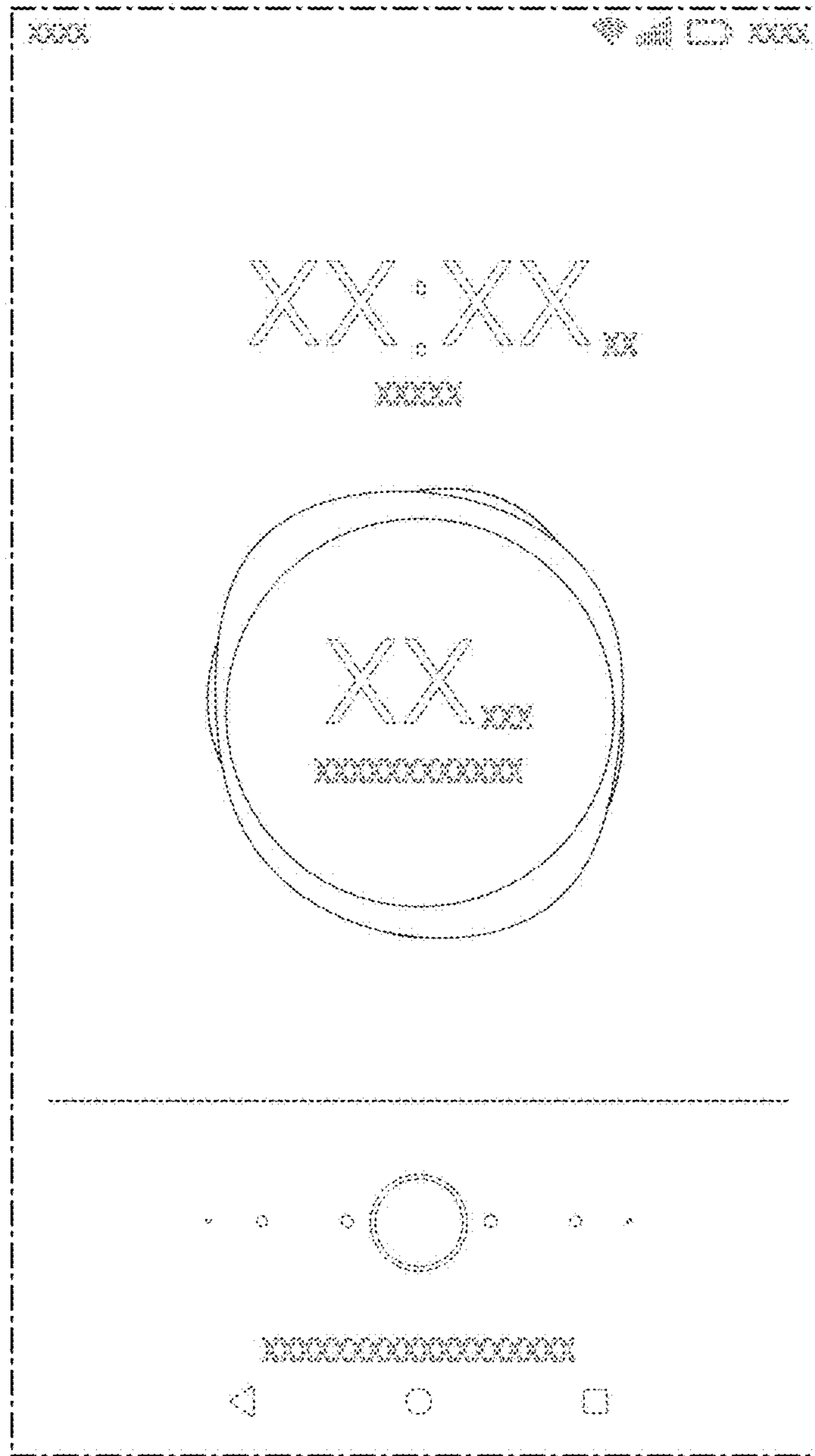


FIG. 24

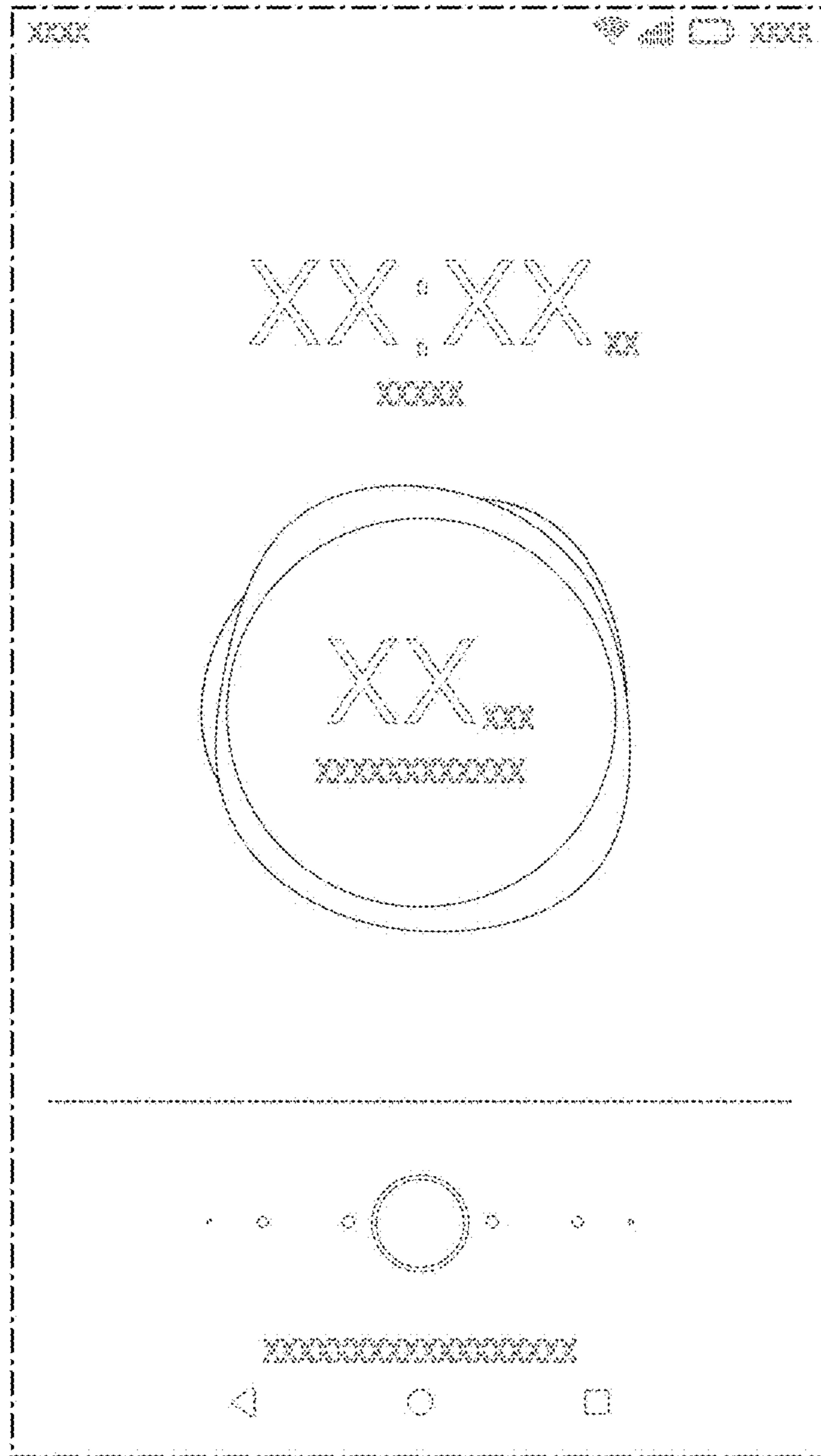


FIG. 25

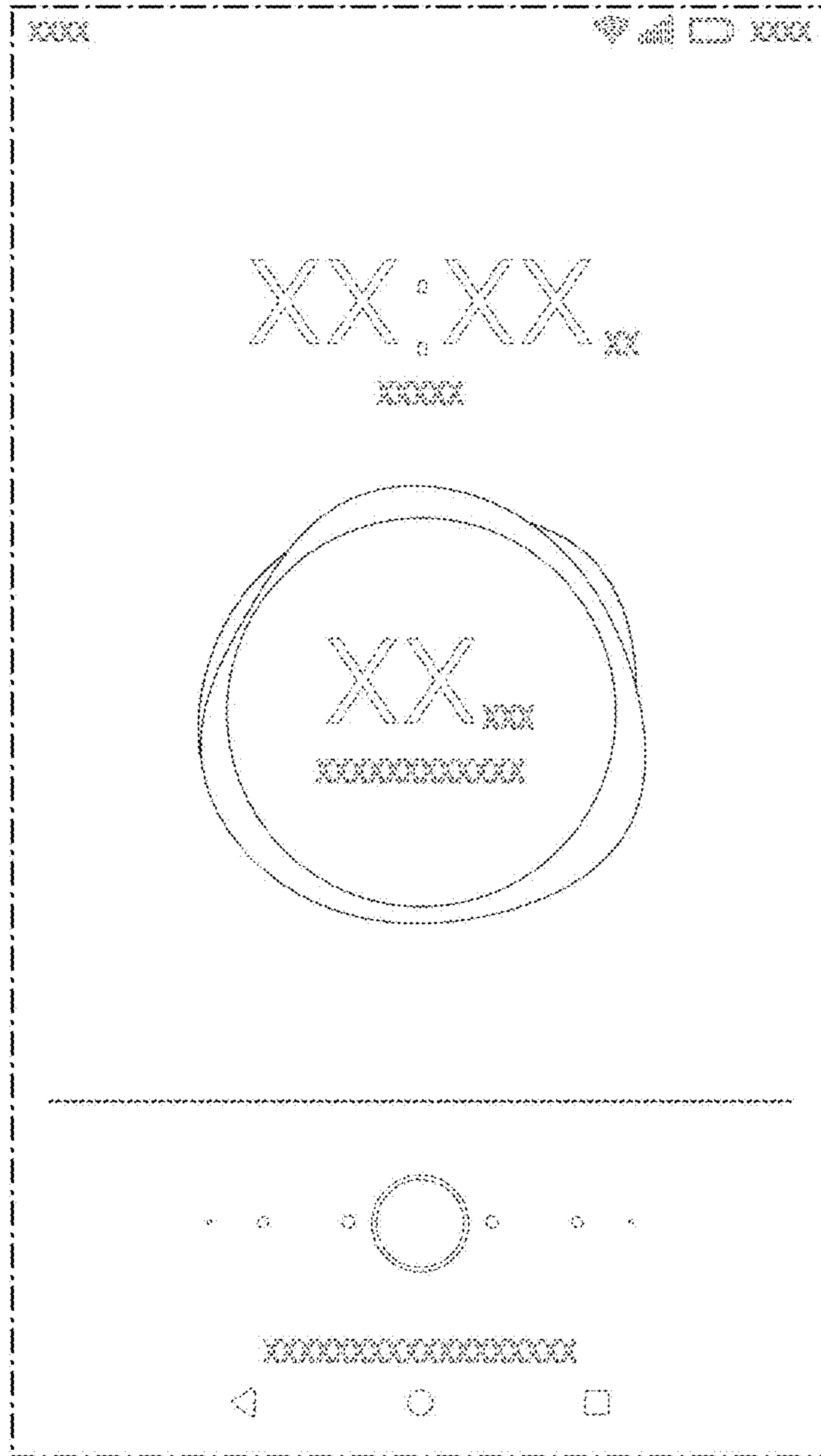


FIG. 26

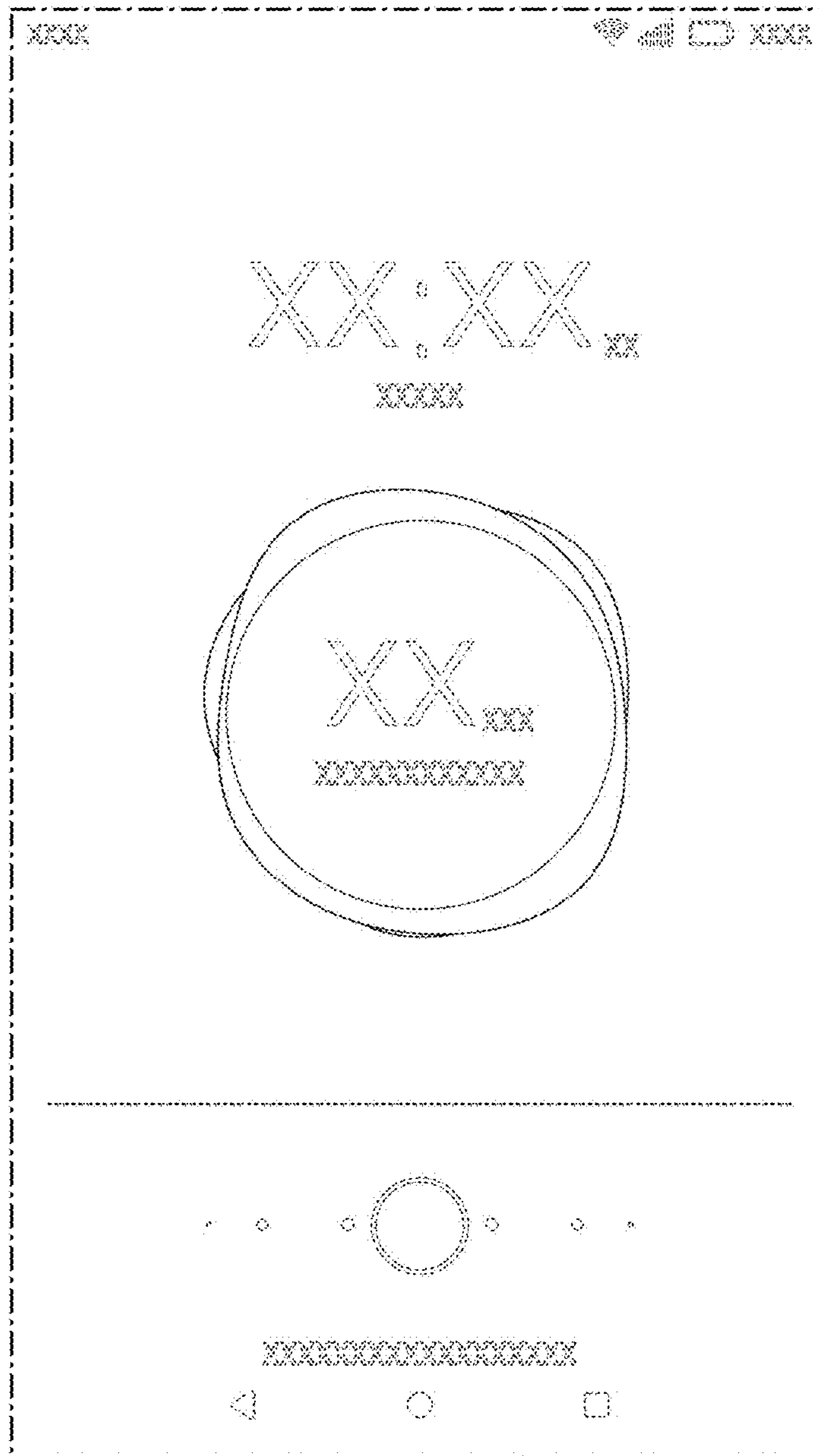


FIG. 27

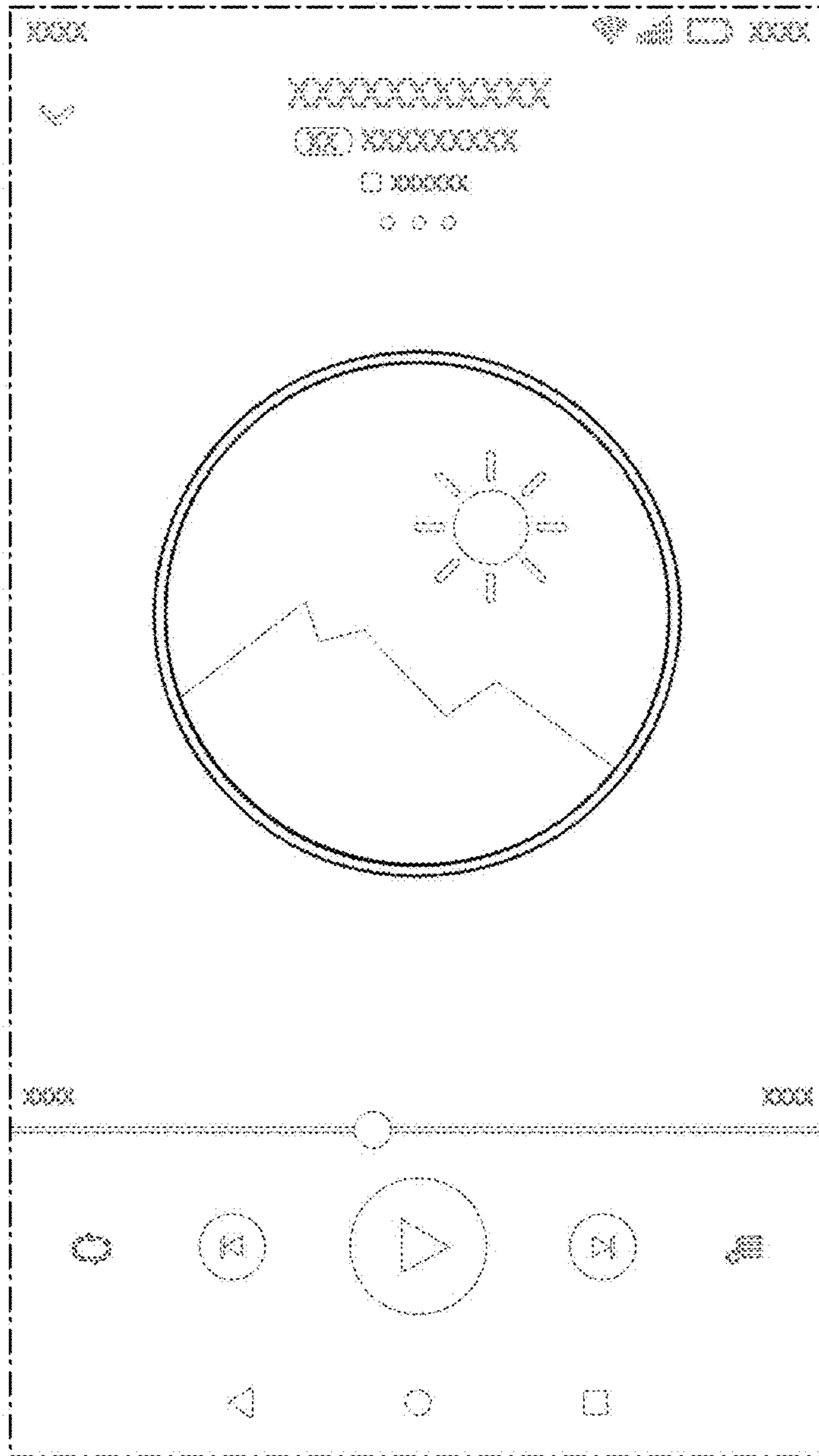


FIG. 28

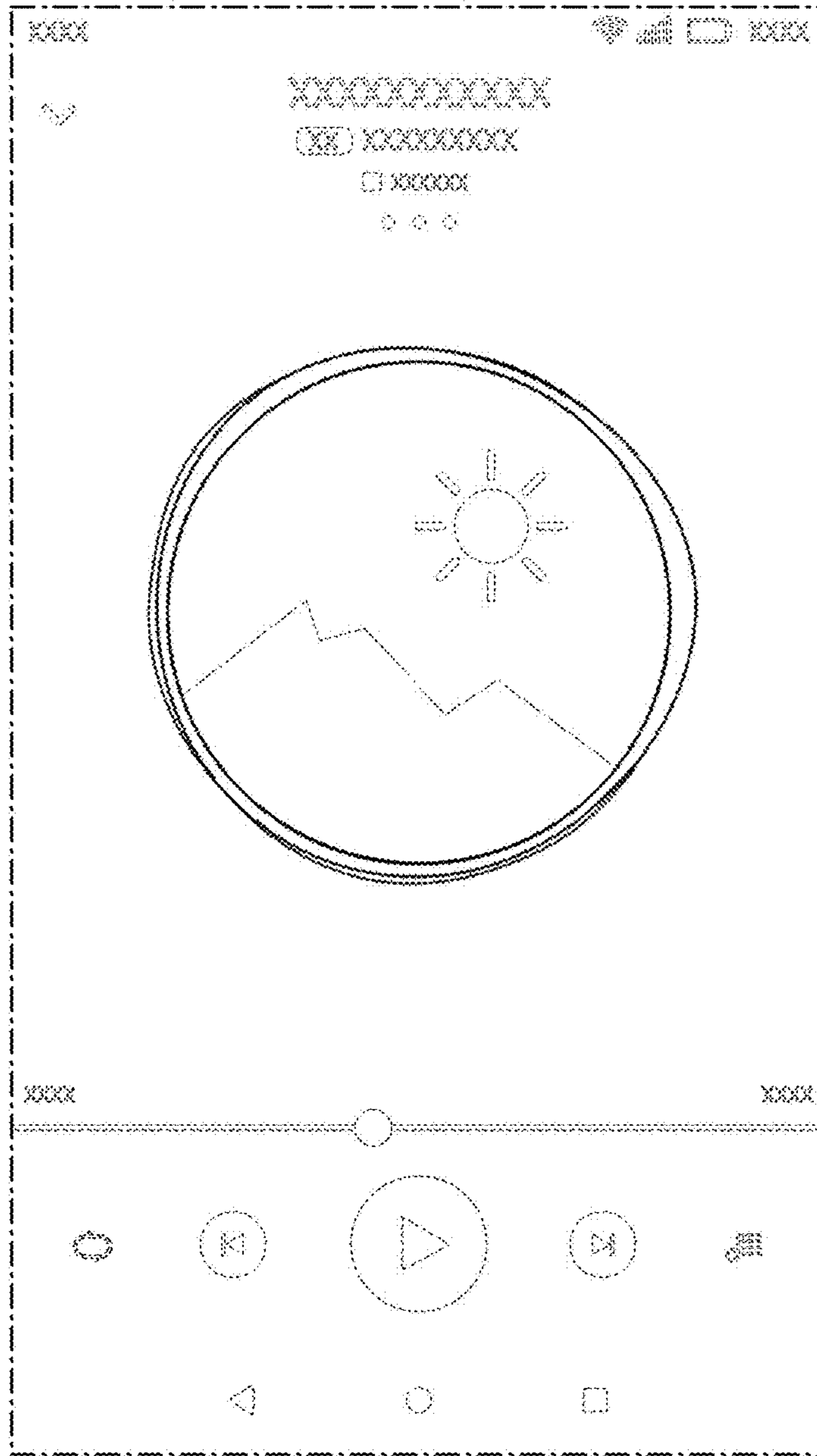


FIG. 29

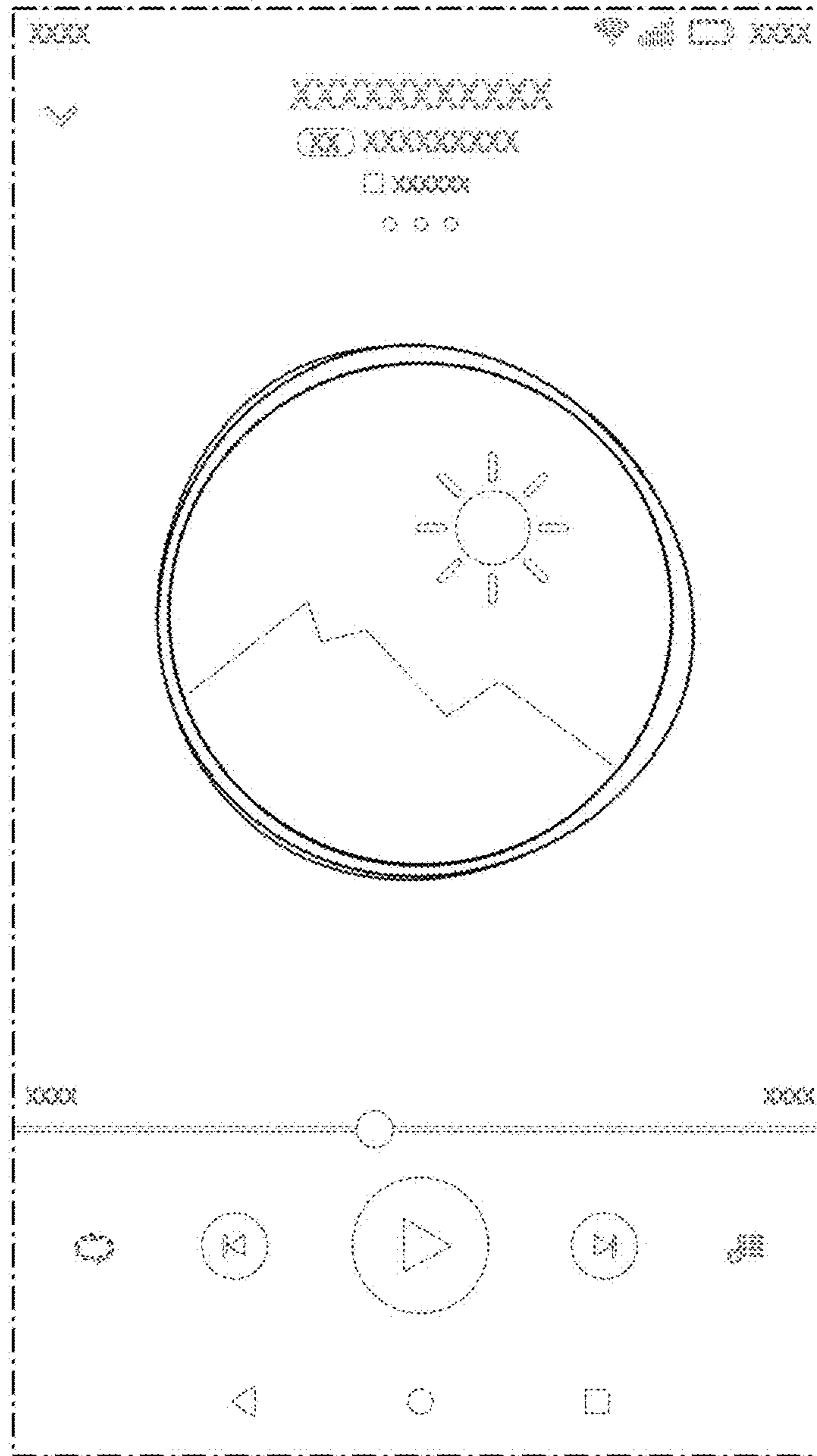


FIG. 30



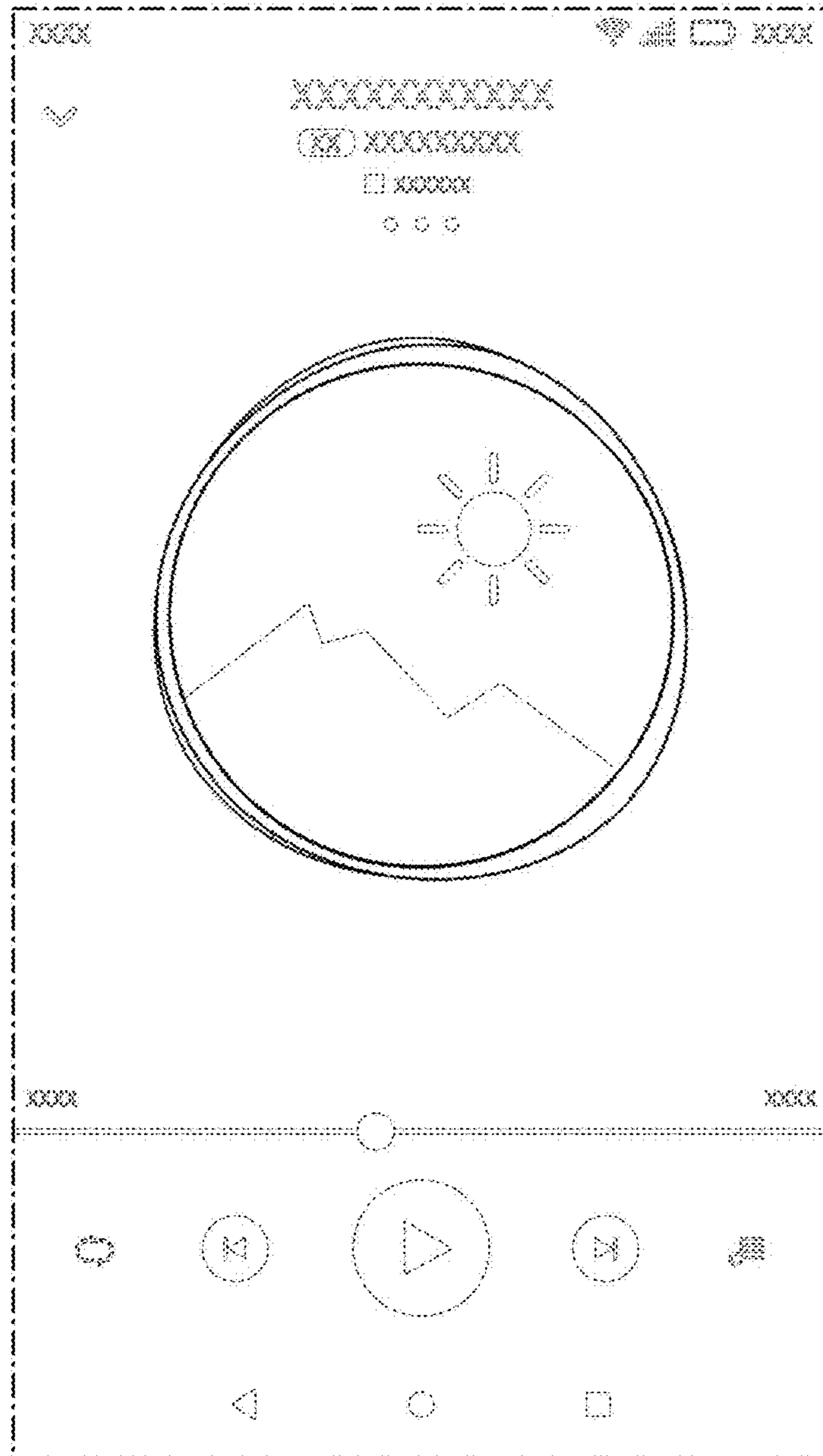


FIG. 31

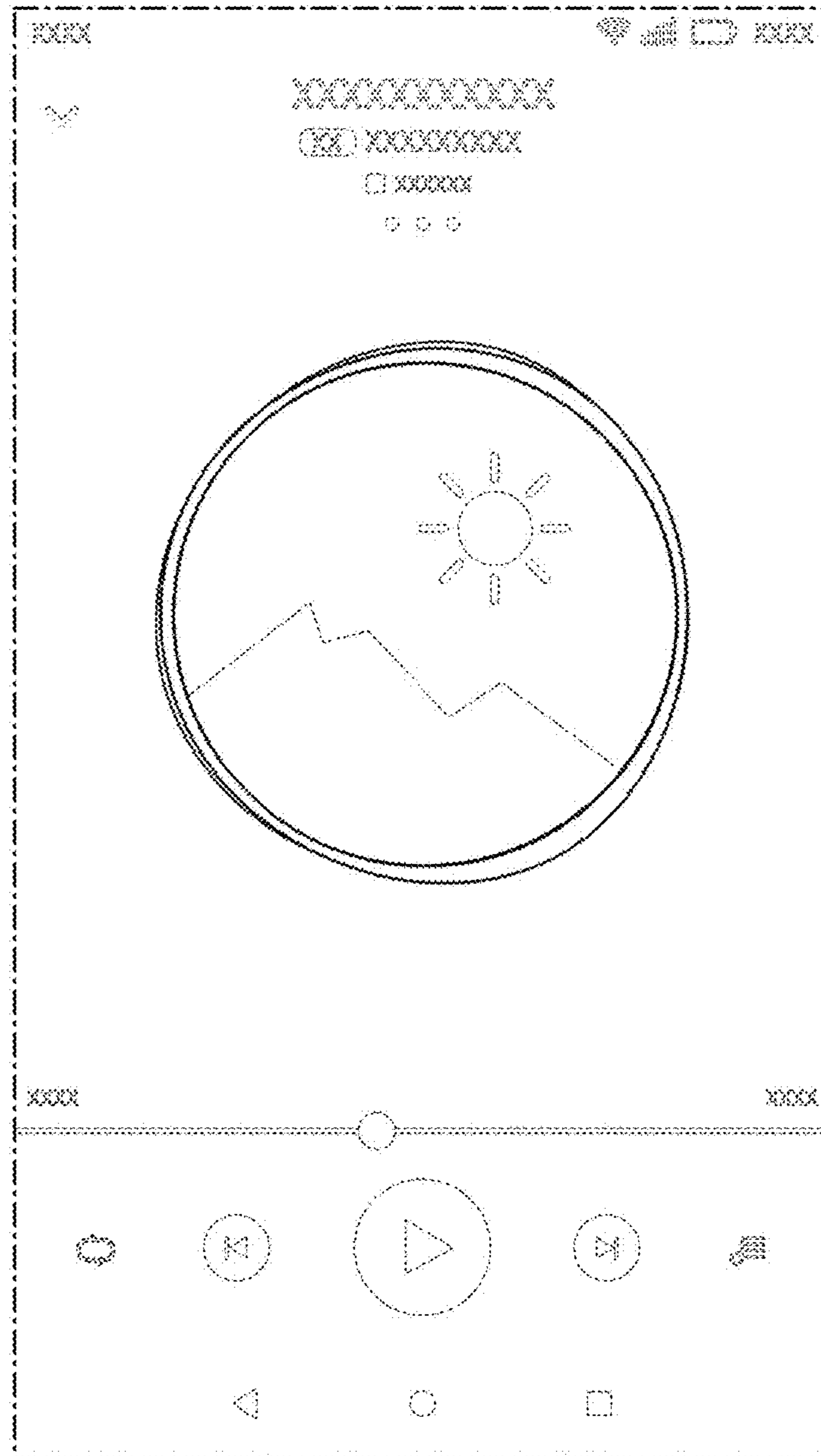


FIG. 32

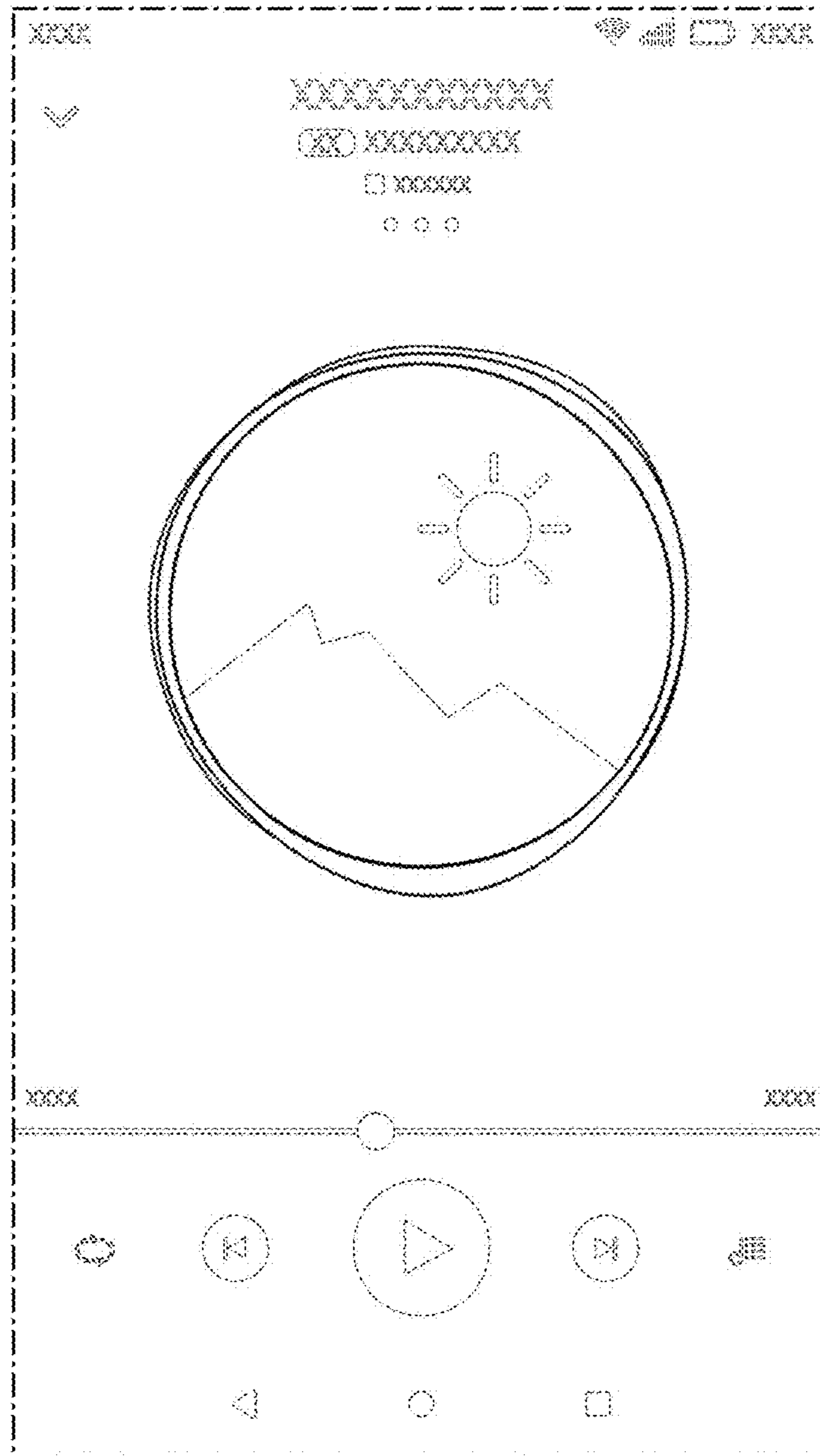


FIG. 33

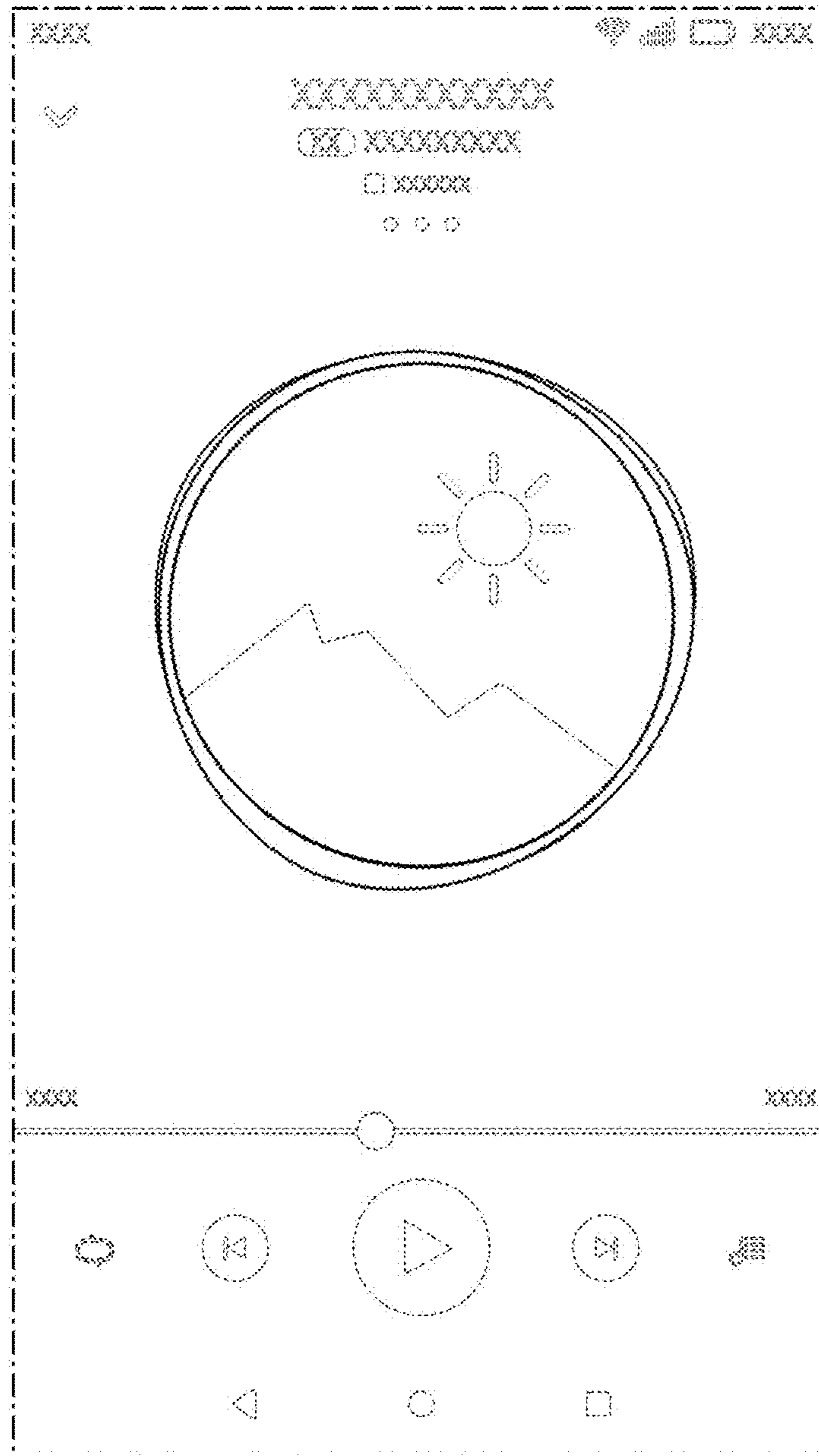


FIG. 34

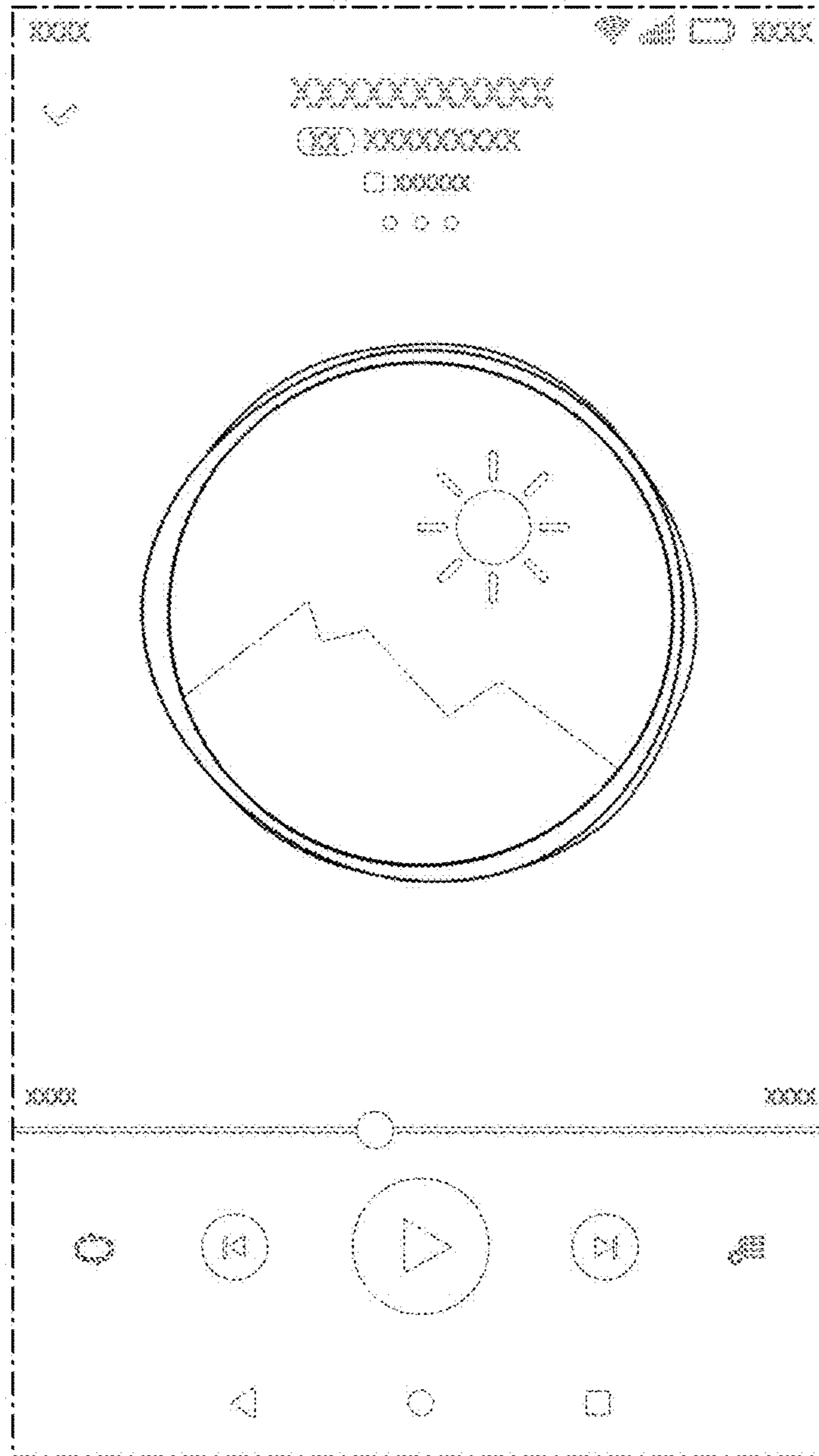


FIG. 35

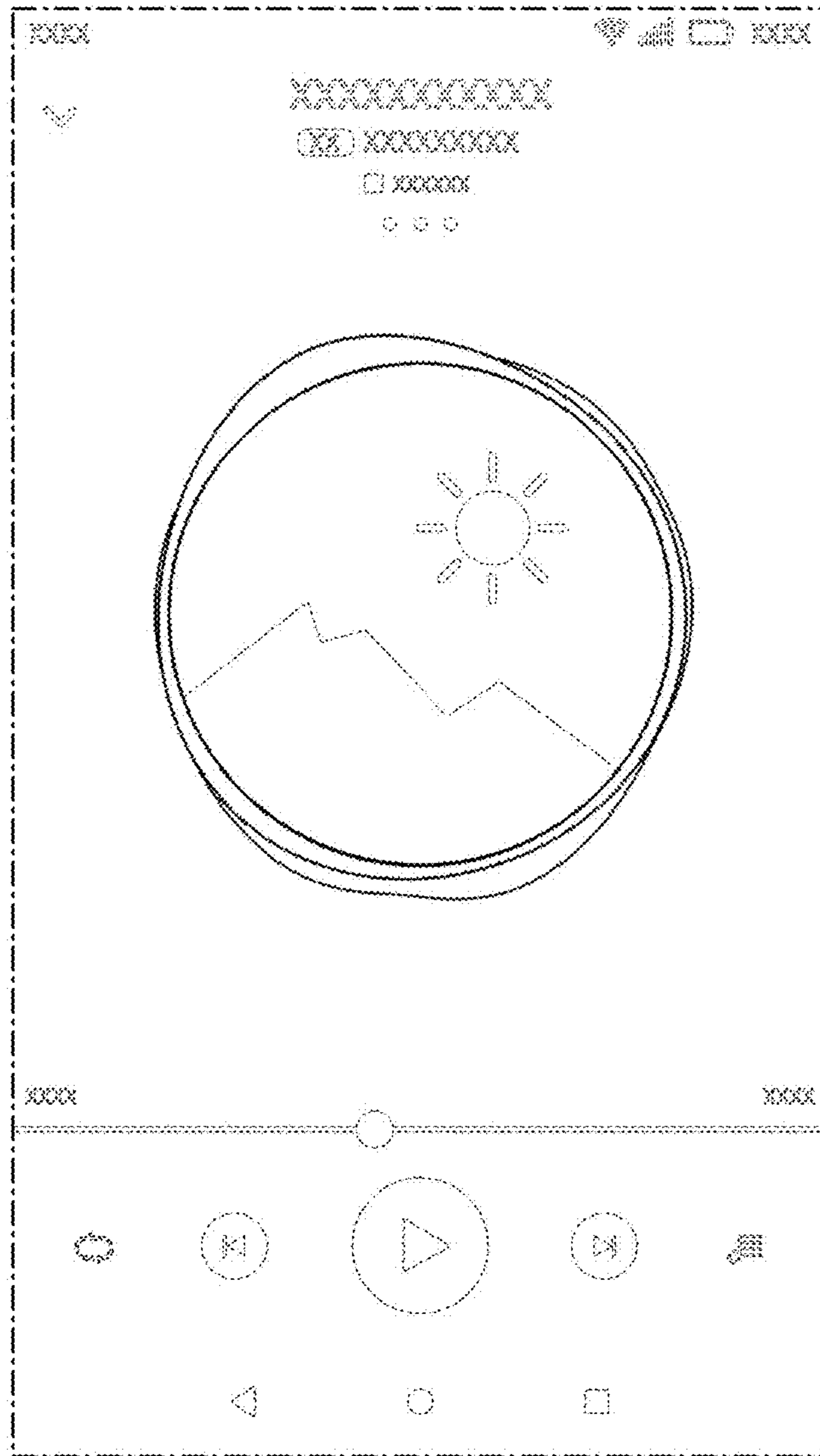


FIG. 36

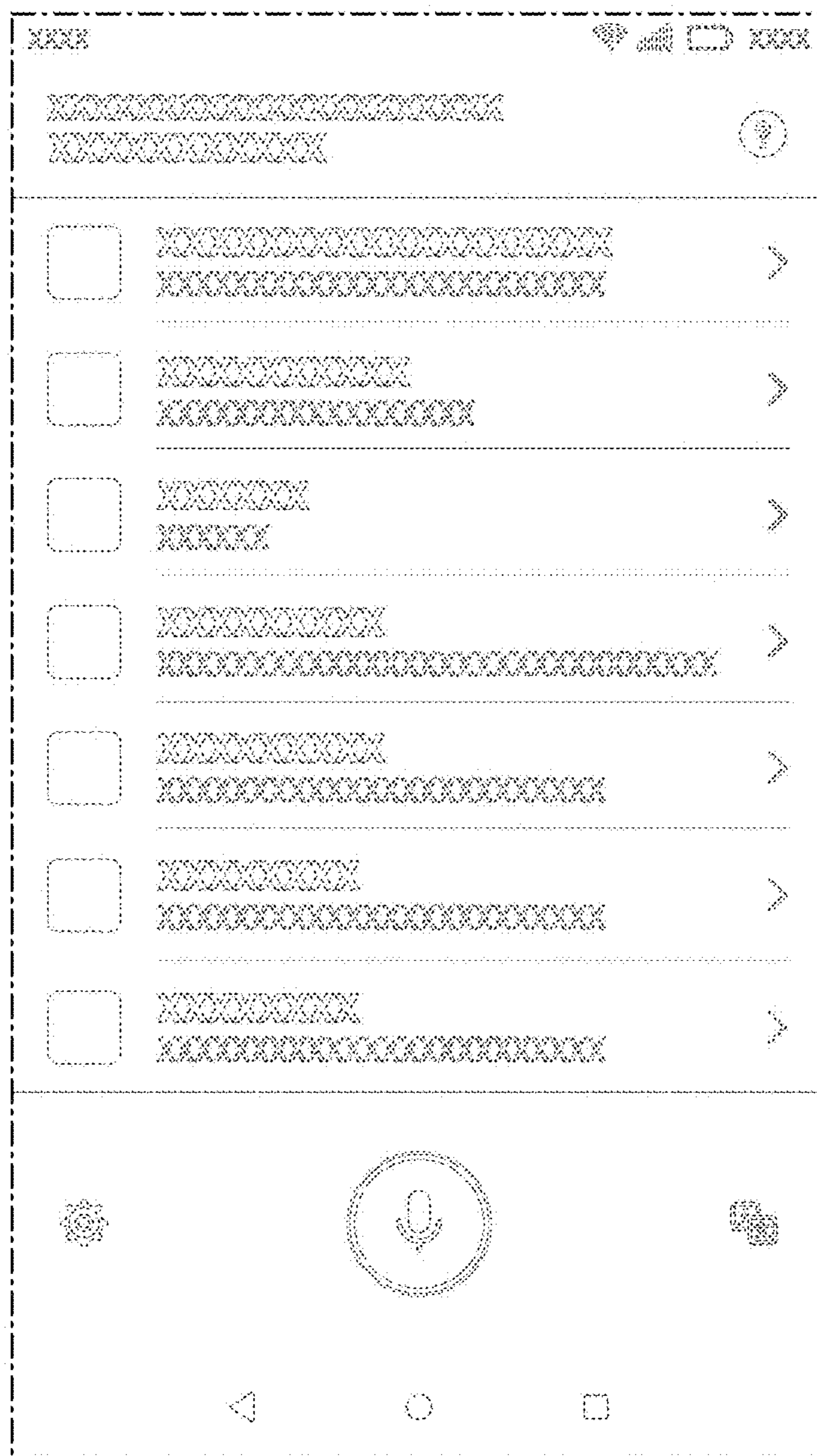


FIG. 37

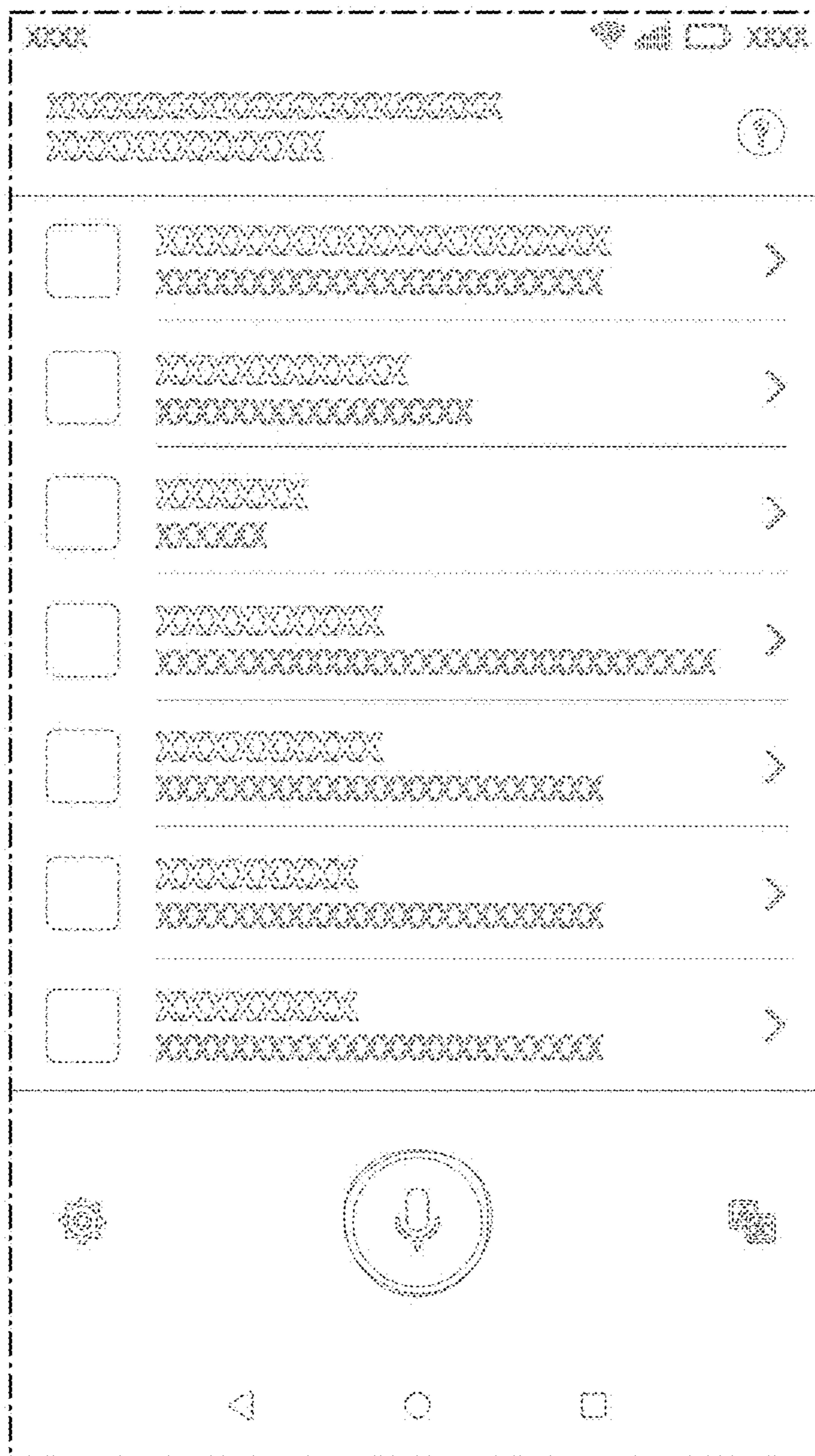


FIG. 38



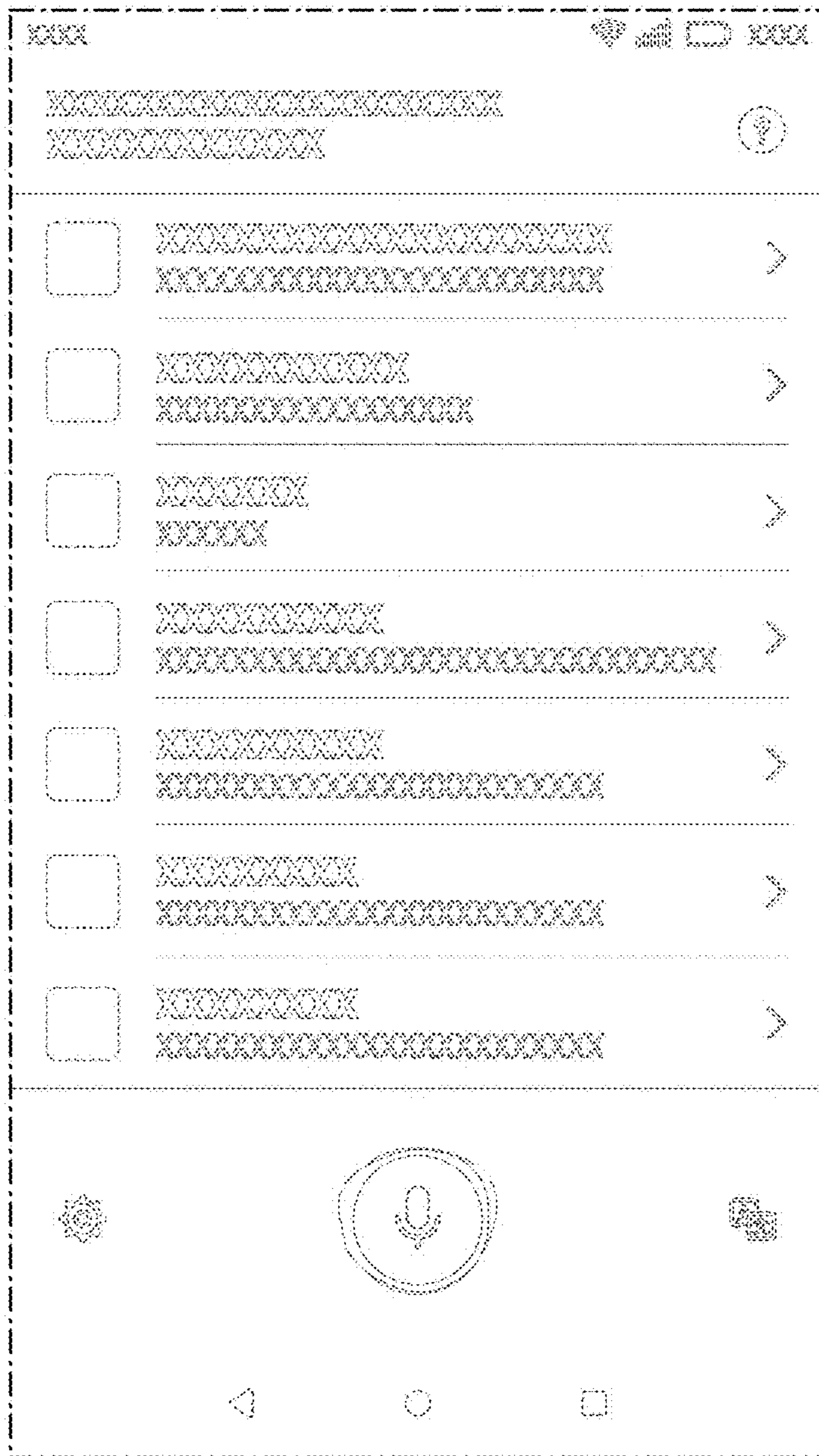


FIG. 39





FIG. 41

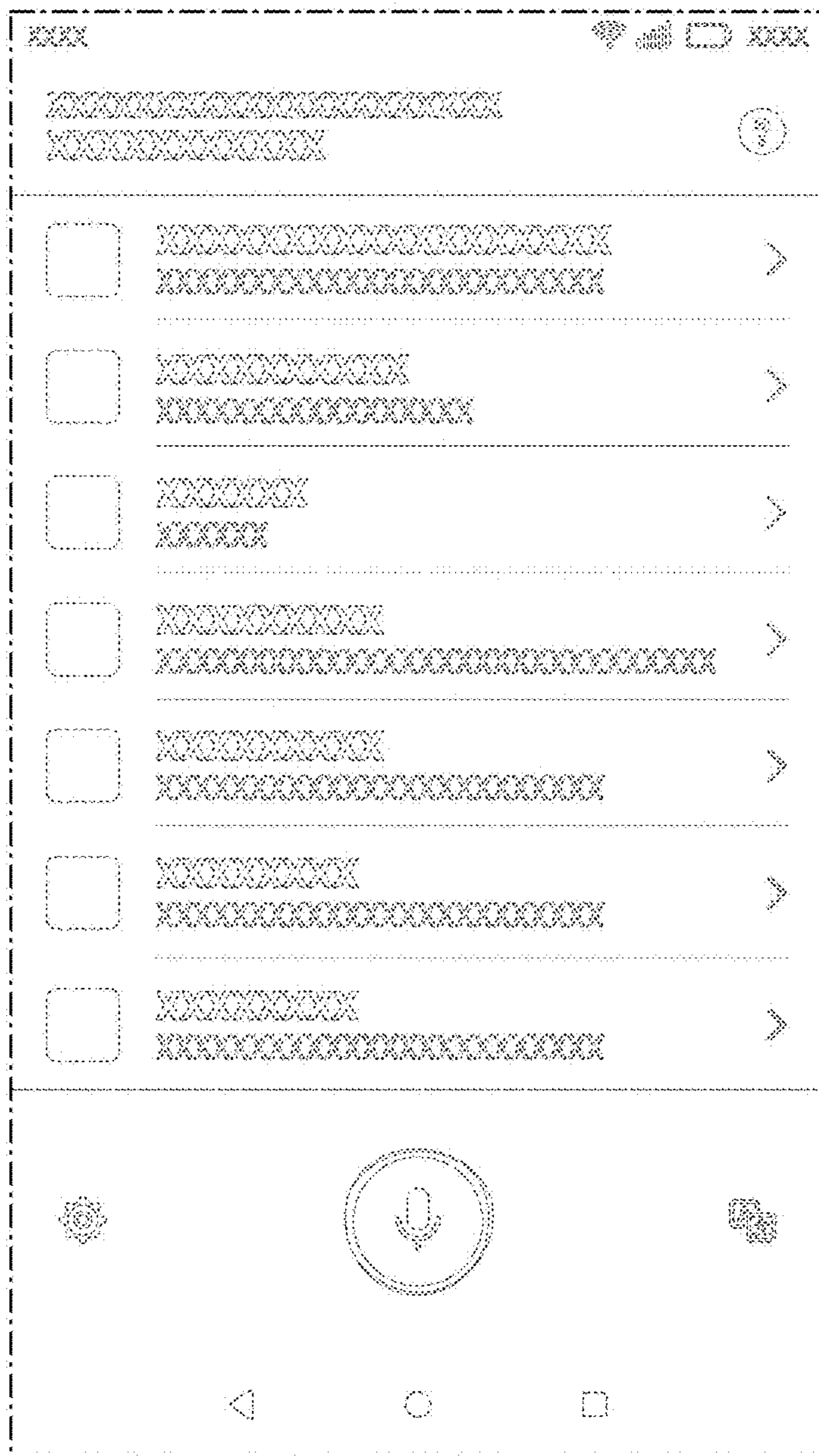


FIG. 42



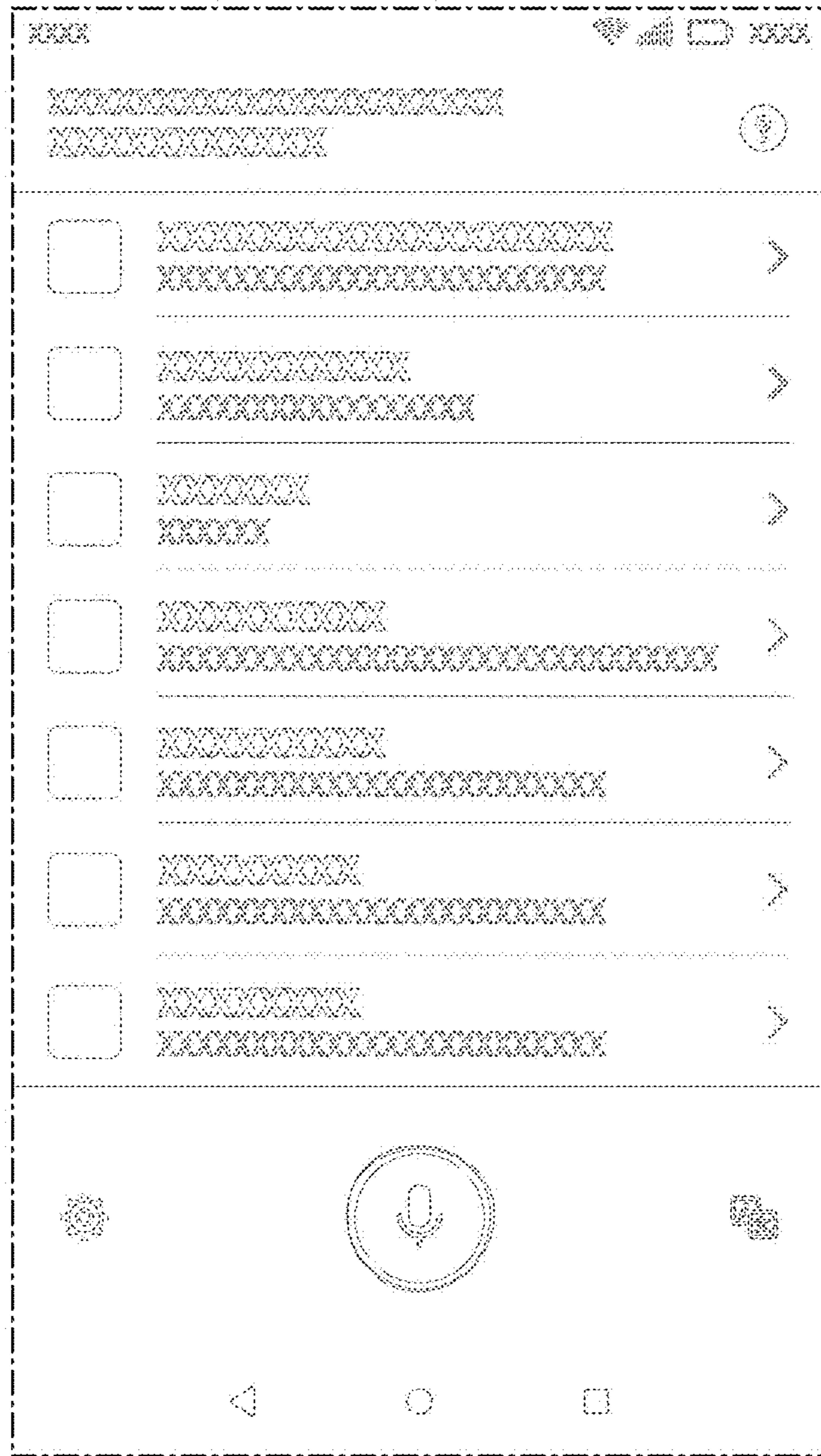


FIG. 44

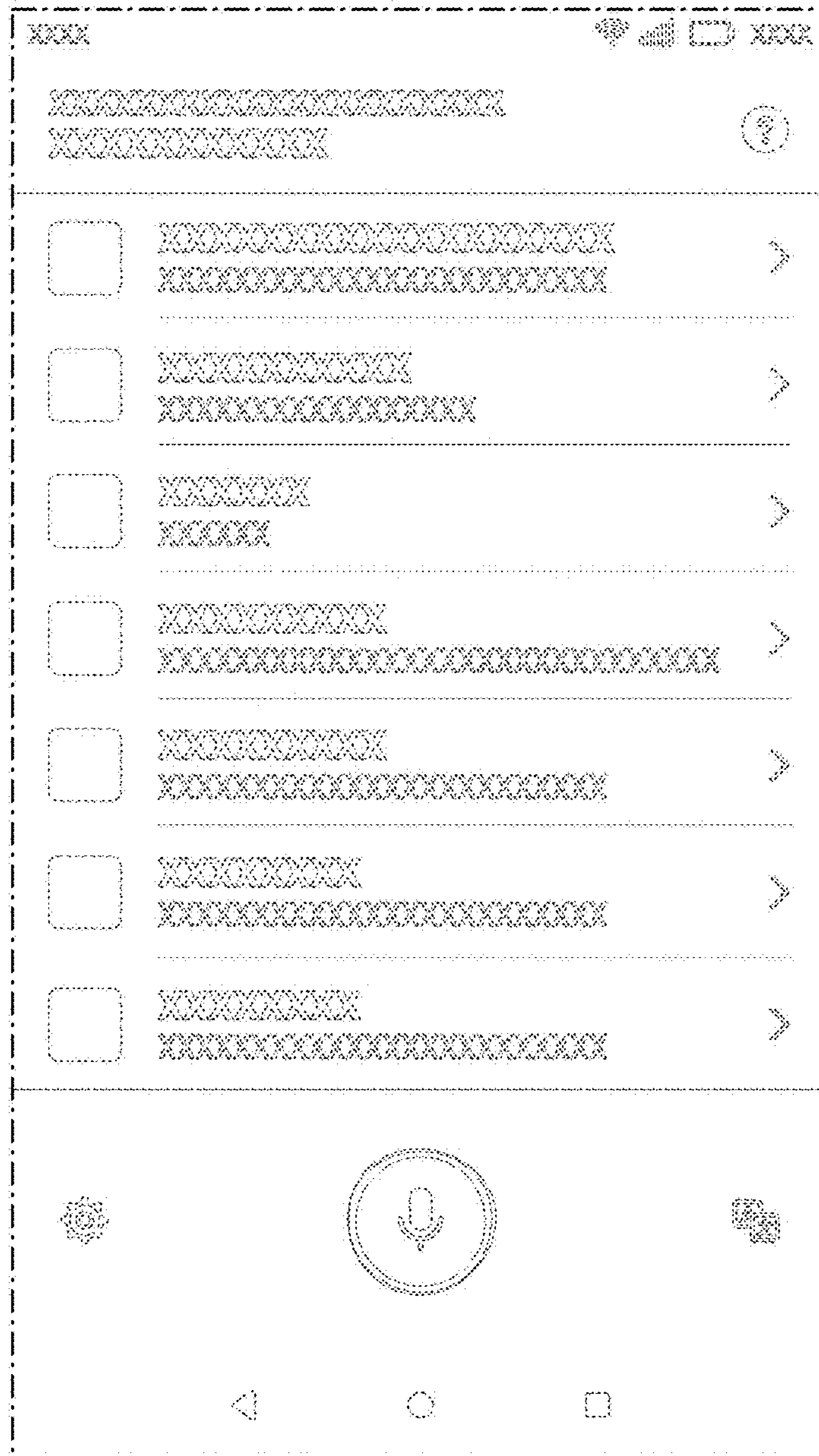


FIG. 45