



US00D831064S

(12) **United States Design Patent** (10) **Patent No.:** **US D831,064 S**  
**Shivaji-Rao** (45) **Date of Patent:** **\*\* Oct. 16, 2018**

(54) **DISPLAY SCREEN OR PORTION THEREOF WITH ANIMATED GRAPHICAL USER INTERFACE**

(71) Applicant: **Nanolumens Acquisition, Inc.**,  
Norcross, GA (US)

(72) Inventor: **Vishnu Shivaji-Rao**, Somerset, NJ  
(US)

(73) Assignee: **Nanolumens Acquisition, Inc.**,  
Norcross, GA (US)

(\*\*) Term: **15 Years**

(21) Appl. No.: **29/568,540**

(22) Filed: **Jun. 20, 2016**

(51) **LOC (11) Cl.** ..... **14-04**

(52) **U.S. Cl.**  
USPC ..... **D14/488**

(58) **Field of Classification Search**  
USPC ..... D14/485–495  
CPC ... B60K 37/00; G06F 3/0481; G06F 3/04845;  
G06F 3/04817; G06F 17/212; G06F  
19/3406; G06T 13/80; G06T 15/02  
See application file for complete search history.

(56) **References Cited**

U.S. PATENT DOCUMENTS

D328,763 S *	8/1992	Laviana	.....	D18/26
D401,230 S *	11/1998	Marshall, Jr.	.....	D14/486
D405,774 S *	2/1999	Yui	.....	D14/488
6,212,547 B1 *	4/2001	Ludwig	.....	G06Q 10/10 348/E7.081
6,848,081 B1 *	1/2005	Yoda	.....	H04N 1/00236 715/741
D525,632 S *	7/2006	Jost	.....	D14/490
D526,922 S *	8/2006	Stowers	.....	D10/103
D534,539 S *	1/2007	Frey	.....	D14/486
D534,540 S *	1/2007	Frey	.....	D14/486
D586,355 S *	2/2009	Mori	.....	D14/486

(Continued)

OTHER PUBLICATIONS

Symbol Sourcebook: An Authoritative Guide to International Graphic Symbols, McGraw Hill Book Company, New York, NY © 1972, pp. 70.\*

(Continued)

*Primary Examiner* — Philip S Hyder

*Assistant Examiner* — Cary M Robinson

(74) *Attorney, Agent, or Firm* — Theodore Heske, III

(57) **CLAIM**

The ornamental design for a display screen or portion thereof with animated graphical user interface, as shown and described.

**DESCRIPTION**

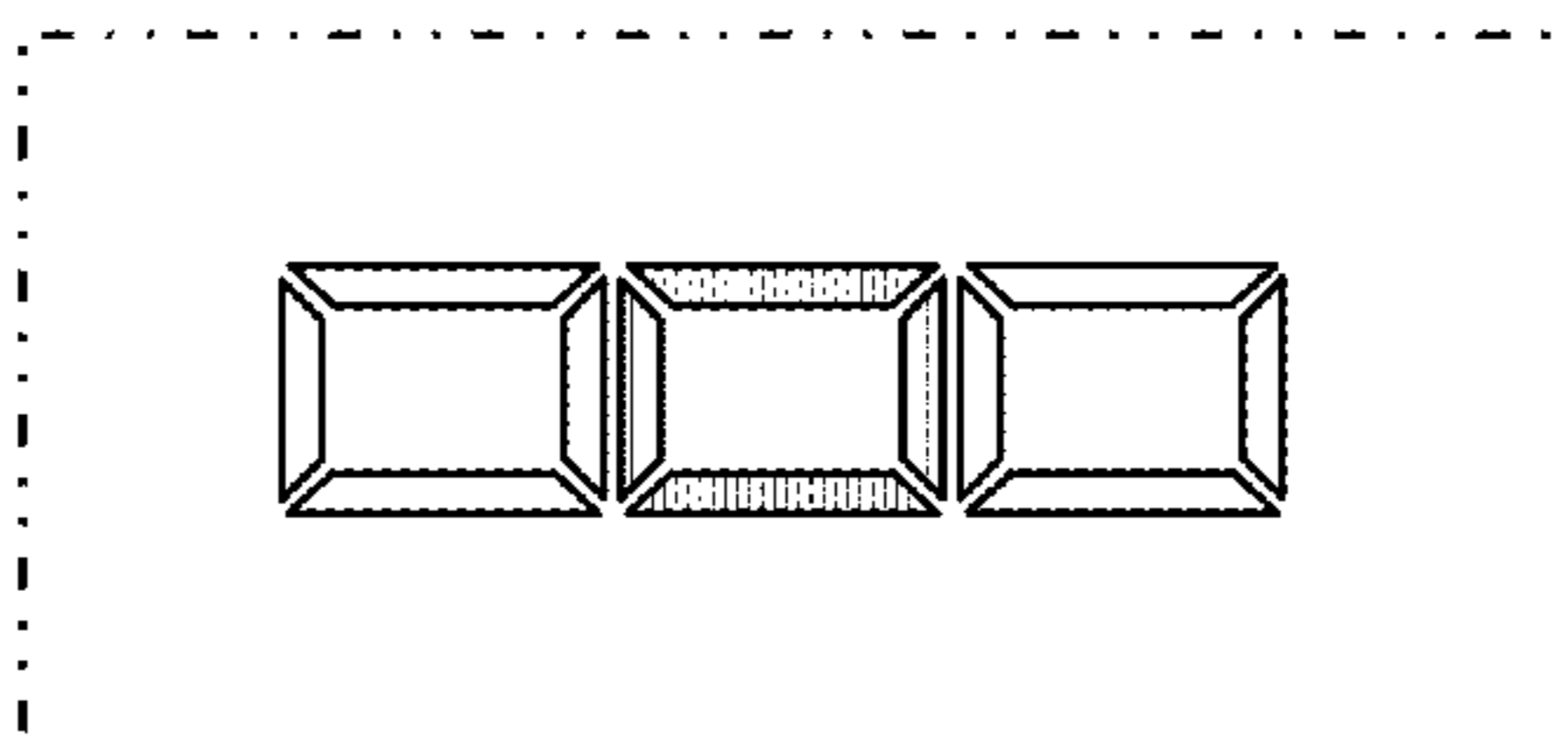
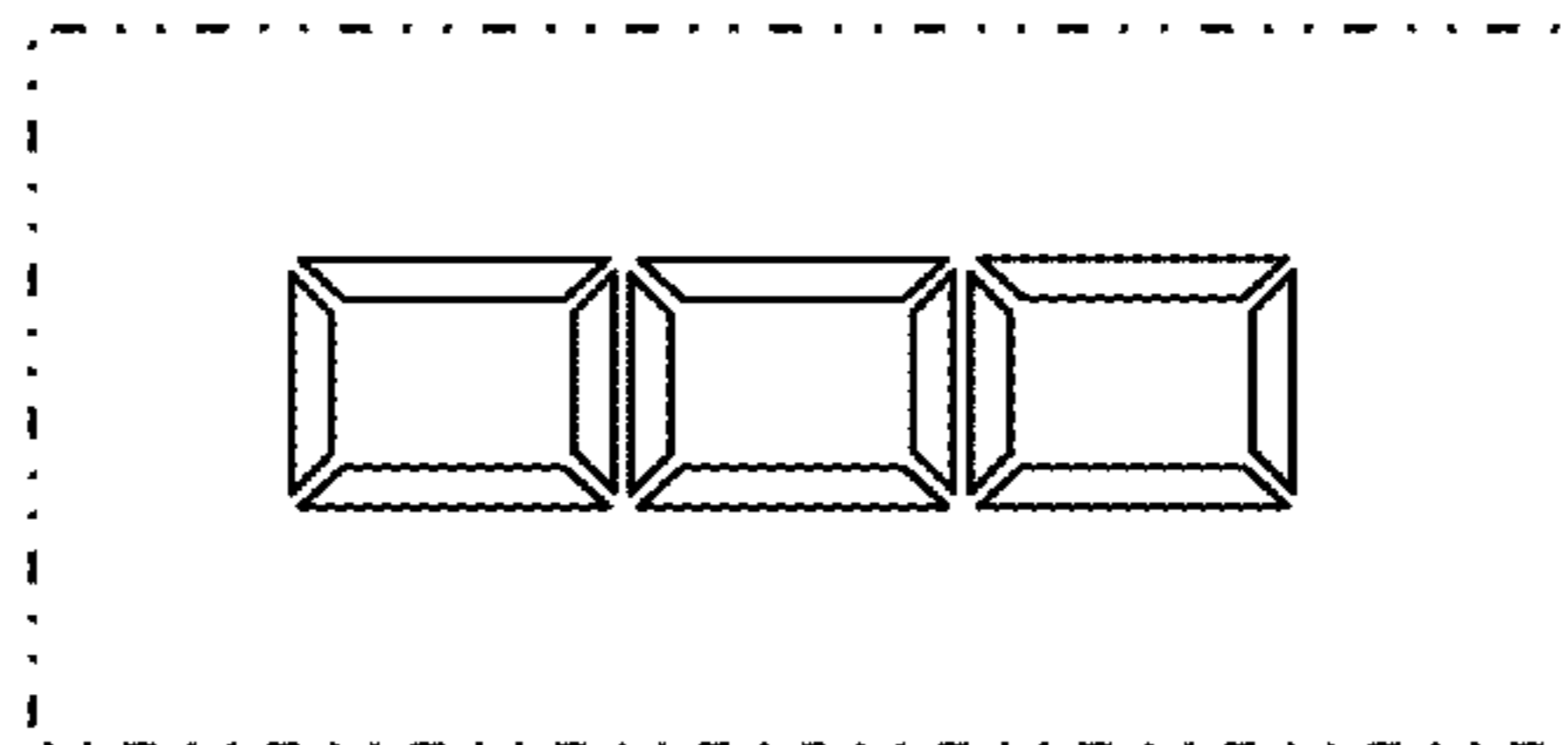
FIG. 1 and FIG. 2 are the first and second images, respectively, in a sequence for a display screen or portion thereof with animated graphical user interface showing our new design; and,

In another embodiment, FIG. 3 and FIG. 4 are the first and second images, respectively, in a sequence for a display screen or portion thereof with animated graphical user interface showing our new design.

The outermost broken lines shown in the figures illustrate a display screen or portion thereof and form no part of the claimed design.

The appearance of the animated graphical user interface sequentially transitions between the images shown in FIG. 1 and FIG. 2. The process or period in which one image transforms to another forms no part of the claimed design. In another embodiment, the appearance of the animated graphical user interface sequentially transitions between the images shown in FIG. 3 and FIG. 4. The process or period in which one image transforms to another forms no part of the claimed design.

**1 Claim, 1 Drawing Sheet**



(56)

References Cited

U.S. PATENT DOCUMENTS

D590,415 S \* 4/2009 Ball ..... D14/486  
 D593,575 S \* 6/2009 Ball ..... D14/486  
 D593,576 S \* 6/2009 Ball ..... D14/486  
 D667,021 S \* 9/2012 MacKenzie ..... D14/486  
 D675,218 S \* 1/2013 Arnold ..... D14/486  
 D677,685 S \* 3/2013 Simmons ..... D14/486  
 D680,130 S \* 4/2013 Khan ..... D14/486  
 D702,698 S \* 4/2014 d'Amore ..... D14/485  
 D708,083 S \* 7/2014 Nardo ..... D10/102  
 D738,898 S \* 9/2015 Herold ..... D14/486  
 D744,495 S \* 12/2015 Bringue ..... D14/485  
 D749,621 S \* 2/2016 Gerhan ..... D14/487  
 D753,669 S \* 4/2016 Chen ..... D14/485  
 9,310,981 B2 \* 4/2016 Lynch ..... G06F 9/44505  
 D758,380 S \* 6/2016 Park ..... D14/485  
 D758,426 S \* 6/2016 Park ..... D14/489  
 D770,511 S \* 11/2016 Gerhan ..... D14/486  
 D778,939 S \* 2/2017 Caro ..... D14/488  
 2005/0178144 A1 \* 8/2005 Crisp, III ..... B67D 1/0057  
 62/389

2006/0239131 A1 \* 10/2006 Nathan ..... G11B 19/025  
 369/30.06  
 2008/0112700 A1 \* 5/2008 Foxenland ..... G03B 13/02  
 396/148  
 2011/0246932 A1 \* 10/2011 Van Roy ..... G06F 3/0481  
 715/780  
 2014/0189593 A1 \* 7/2014 Kurita ..... G06F 3/0488  
 715/835  
 2015/0047014 A1 \* 2/2015 Yoon ..... G06F 21/36  
 726/16  
 2017/0181645 A1 \* 6/2017 Mahalingam ..... A61B 5/0004

OTHER PUBLICATIONS

Symbol Sourcebook: An Authoritative Guide to International Graphic Symbols, McGraw Hill Book Company, New York, NY © 1972, pp. 114.\*  
 Trademark Serial No. 87080381, Jun. 22, 2016 (filing date), (Applicant) Go Sports Complex, LLC Limited Liability Company Texas.\*  
 Trademark Serial No. 87570732, Aug. 16, 2017 (filing date), (Applicant) Bridgestone Retail Operations, LLC Limited Liability Company Delaware.\*

\* cited by examiner

FIG 1

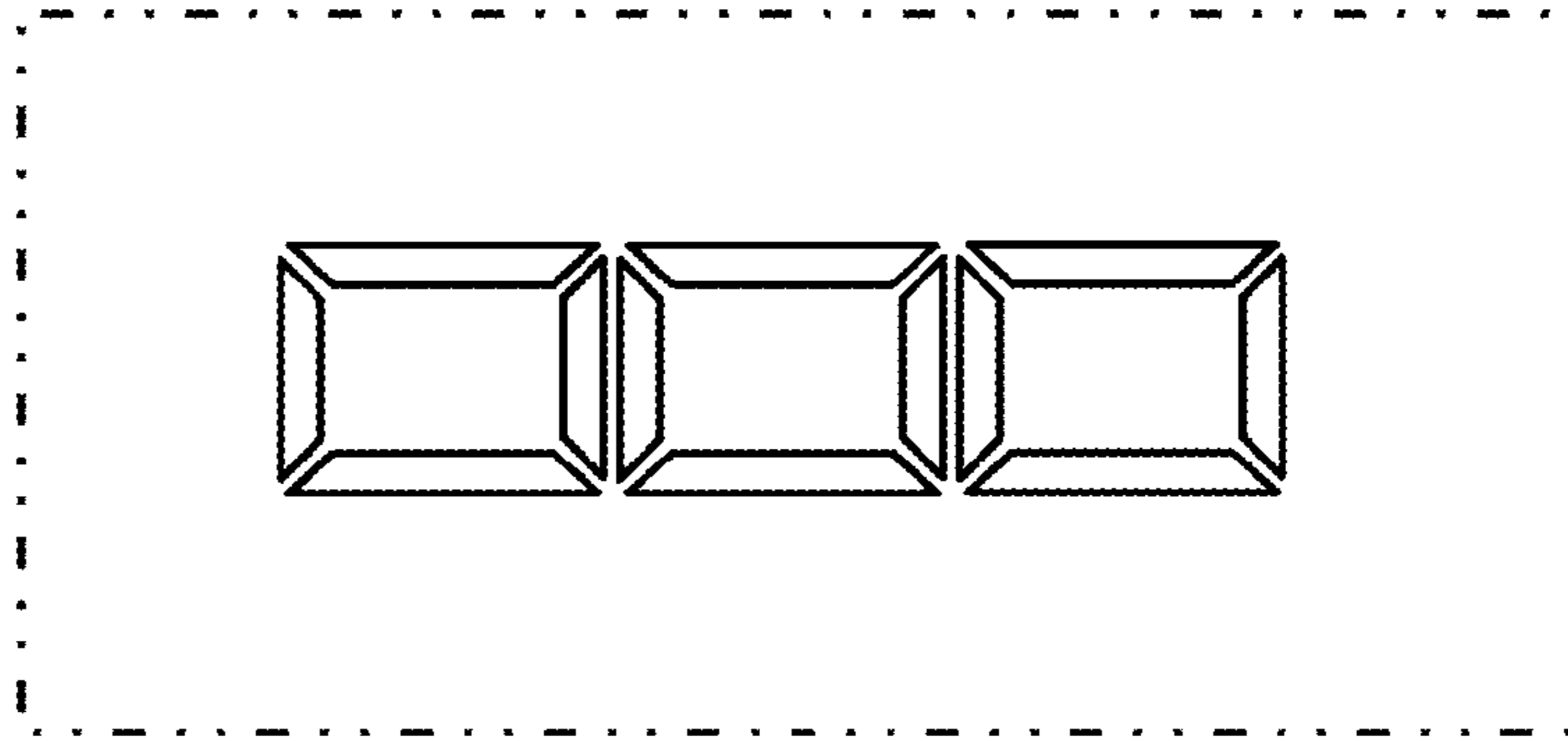


FIG 2

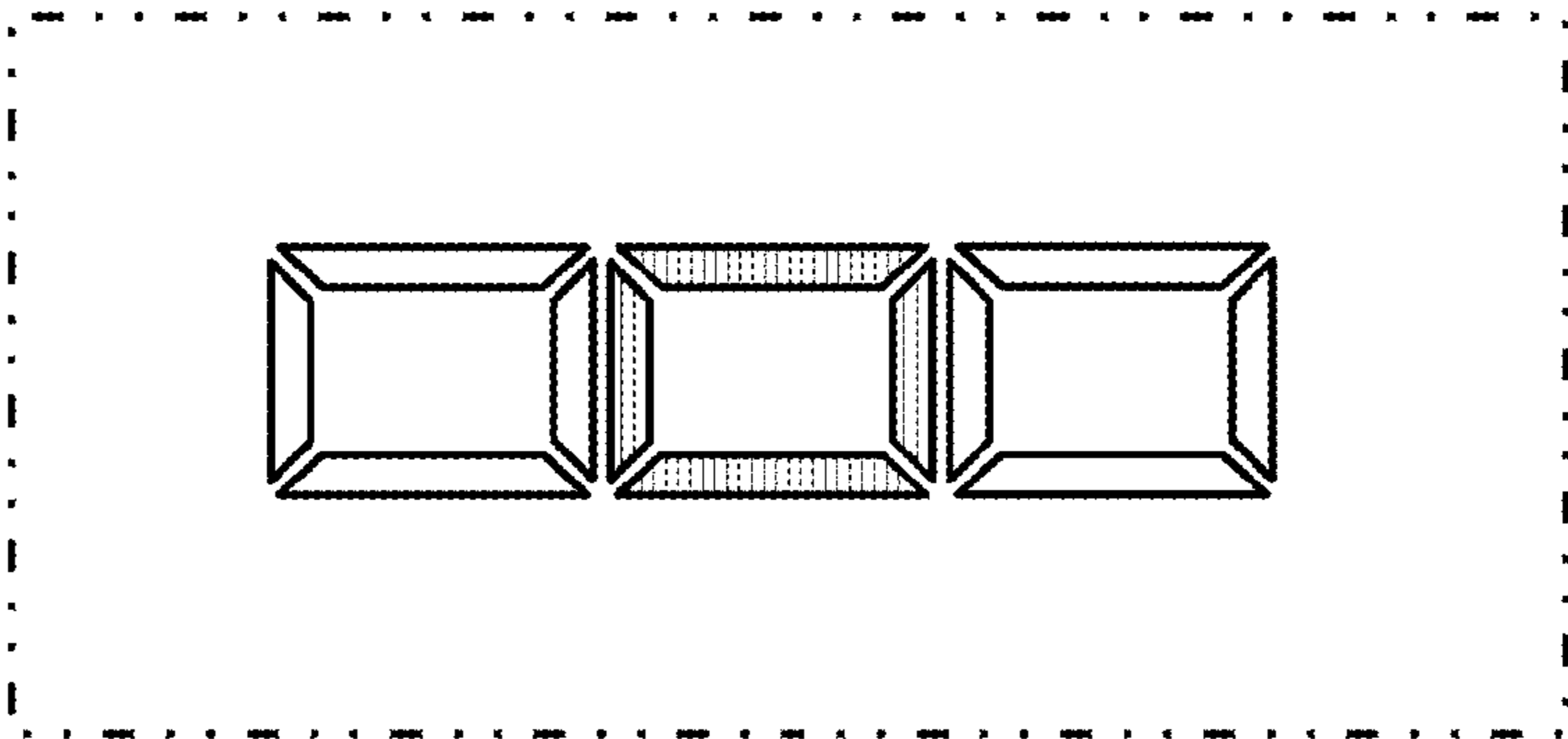


FIG 3

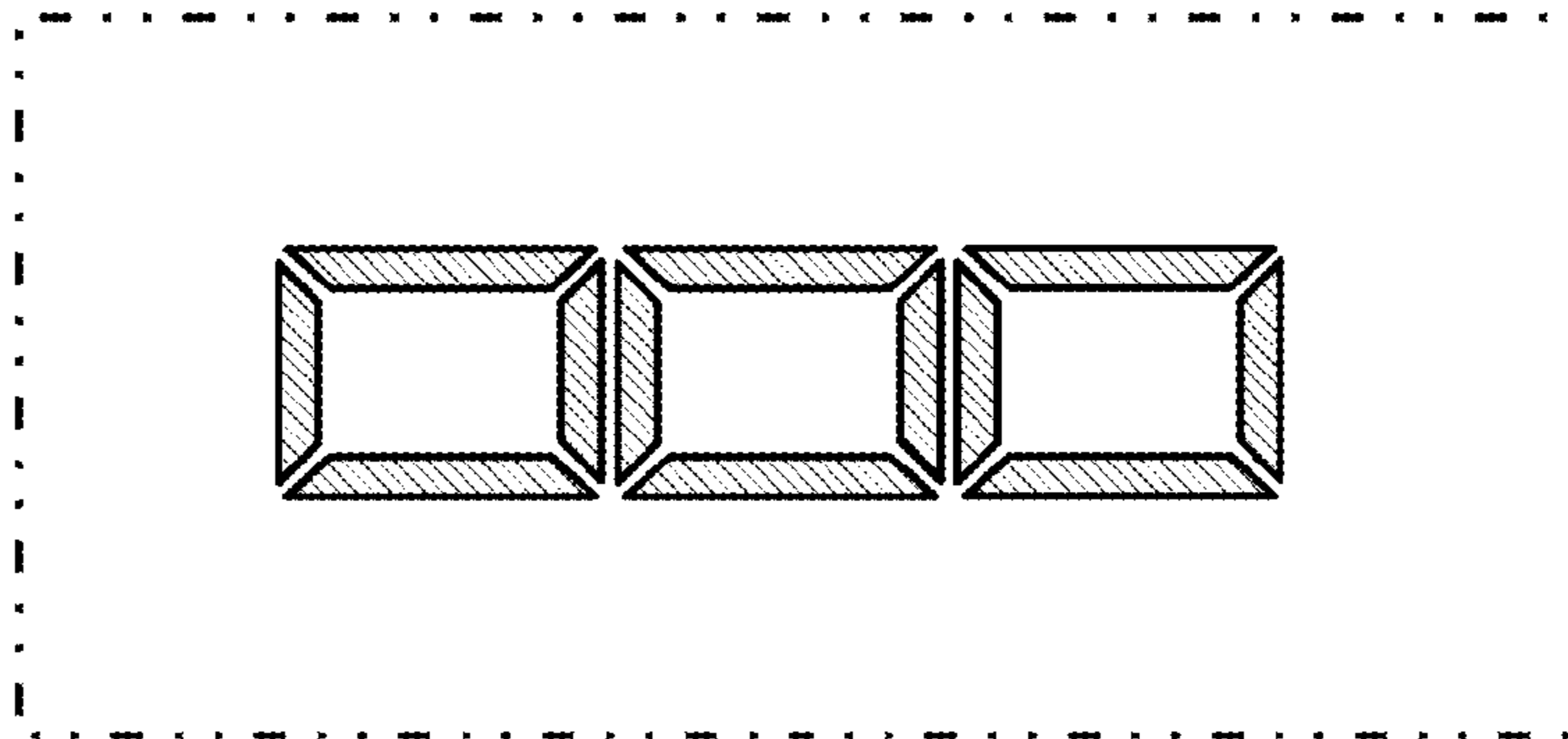


FIG 4

