



US00D831046S

(12) **United States Design Patent** (10) **Patent No.:** **US D831,046 S**  
**Hashimoto et al.** (45) **Date of Patent:** **\*\* Oct. 16, 2018**

(54) **DISPLAY SCREEN WITH ANIMATED GRAPHICAL USER INTERFACES FOR VEHICLES**

(71) Applicant: **mitsubishi electric corporation**, Tokyo (JP)  
(72) Inventors: **Takayasu Hashimoto**, Tokyo (JP); **Hideo Imanaka**, Tokyo (JP); **Masami Aikawa**, Tokyo (JP)  
(73) Assignee: **Mitsubishi Electric Corporation**, Tokyo (JP)

(\*\*) Term: **15 Years**  
(21) Appl. No.: **35/501,642**

(22) Filed: **Mar. 4, 2016**

(80) **Hague Agreement Data**

Int. Filing Date: **Mar. 4, 2016**  
Int. Reg. No.: **DM/092549**  
Int. Reg. Date: **Mar. 4, 2016**  
Int. Reg. Pub. Date: **Sep. 30, 2016**

(30) **Foreign Application Priority Data**

Sep. 18, 2015 (JP) ..... 2015-020773  
Sep. 18, 2015 (JP) ..... 2015-020774

(51) **LOC (11) Cl.** ..... **14-04**

(52) **U.S. Cl.**  
USPC ..... **D14/485**

(58) **Field of Classification Search**  
USPC ..... D14/485-495; 715/746, 771, 739; 345/169  
CPC ..... G06F 3/048; G06F 3/0481; G06F 3/0482; G06F 3/04817; G06F 3/04812  
See application file for complete search history.

(56) **References Cited**

**U.S. PATENT DOCUMENTS**

D553,143 S \* 10/2007 Blencowe ..... D14/486  
D553,144 S \* 10/2007 Blencowe ..... D14/486

D591,305 S \* 4/2009 Shimoda ..... D14/485  
D593,107 S \* 5/2009 Shimoda ..... D14/485  
D614,192 S \* 4/2010 Takano ..... D14/486  
D667,018 S \* 9/2012 Clanton ..... D14/485  
D753,685 S \* 4/2016 Zimmerman ..... D14/486  
D774,520 S \* 12/2016 Kim ..... D14/485  
D785,025 S \* 4/2017 Zimmerman ..... D14/486  
D786,913 S \* 5/2017 Dye ..... D14/486  
D789,404 S \* 6/2017 Modestine ..... D14/487  
D789,953 S \* 6/2017 Thompson ..... D14/485  
D794,044 S \* 8/2017 Sung ..... D14/485  
D794,658 S \* 8/2017 Weaver ..... D14/485  
D795,885 S \* 8/2017 Pritchard ..... D14/485

\* cited by examiner

*Primary Examiner* — Rhea Shields

(74) *Attorney, Agent, or Firm* — Studebaker & Brackett PC

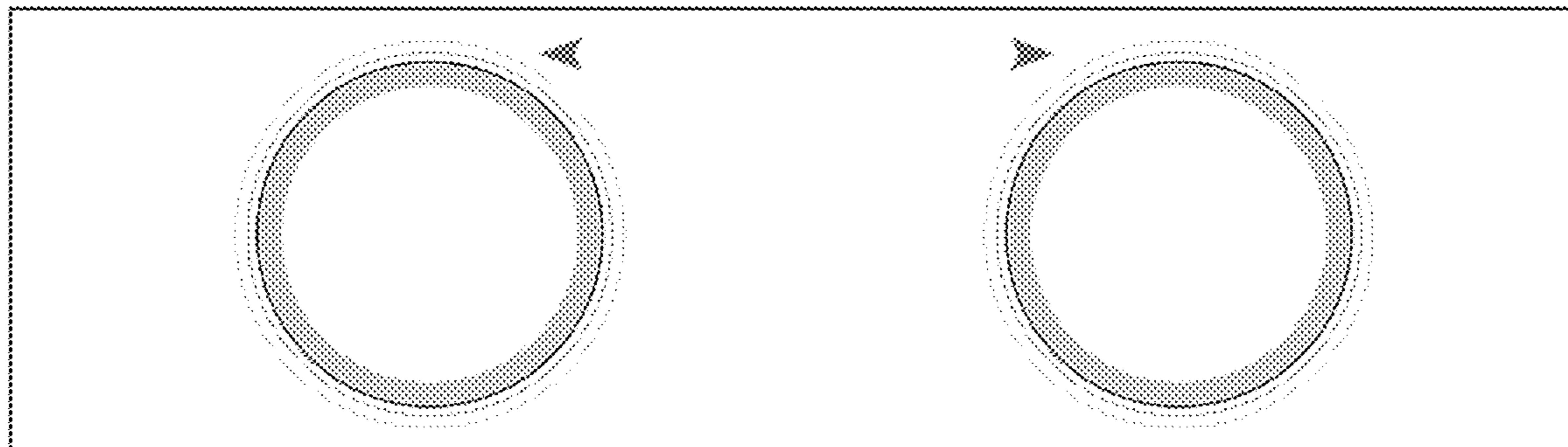
(57) **CLAIM**

The ornamental design for a display screen with animated graphical user interface for vehicles, as shown and described.

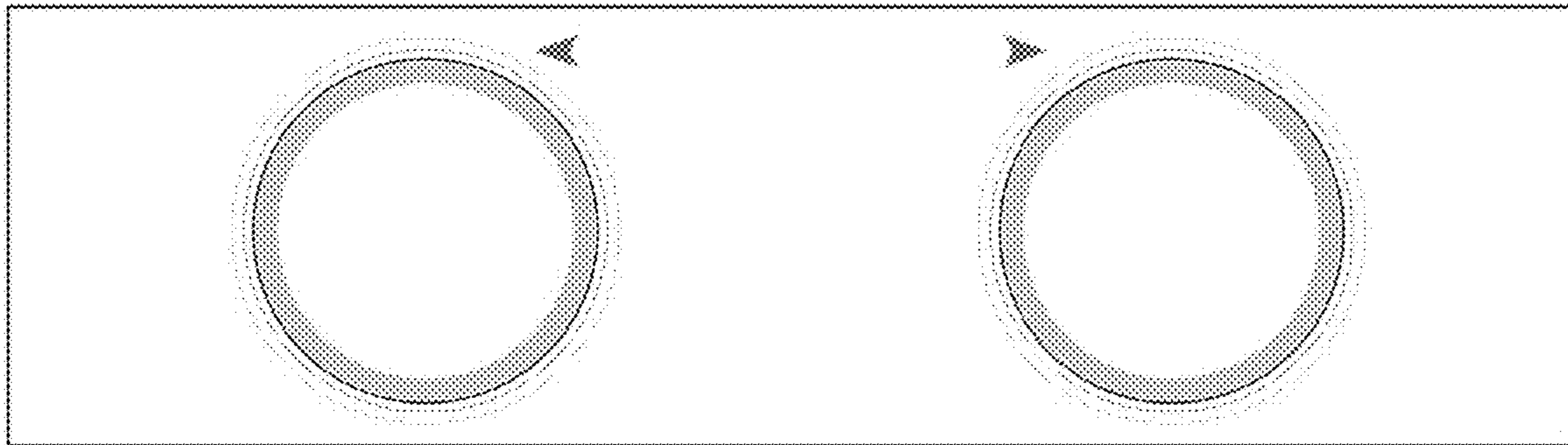
**DESCRIPTION**

**1.1** : is a front image;  
**1.2** : is a second image thereof;  
**1.3** : is a third image thereof;  
**1.4** : is a fourth image thereof.  
**1.5** : is a perspective view thereof;  
**1.6** : is a top view thereof; and  
**1.7** : is a right view thereof.  
In **1.5** through **1.7**, the outermost broken line perimeter illustrates a portion of the display screen and forms no part of the claimed design. In **1.1** through **1.5** the perimeters of the display screen and animated graphical user interface are understood to be flush.

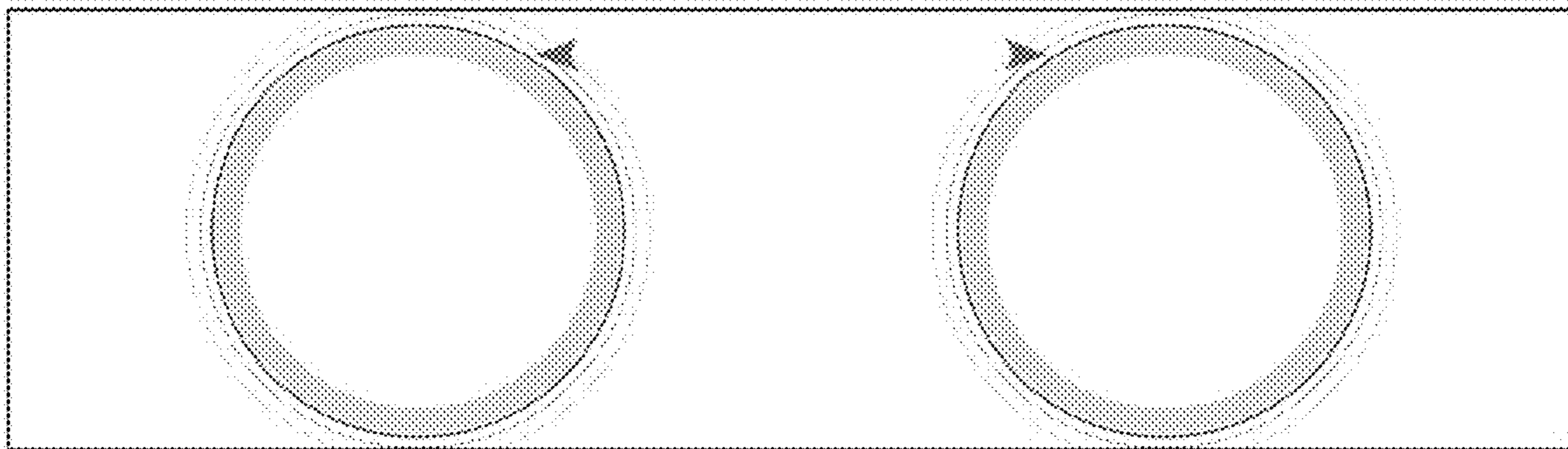
**1 Claim, 7 Drawing Sheets**



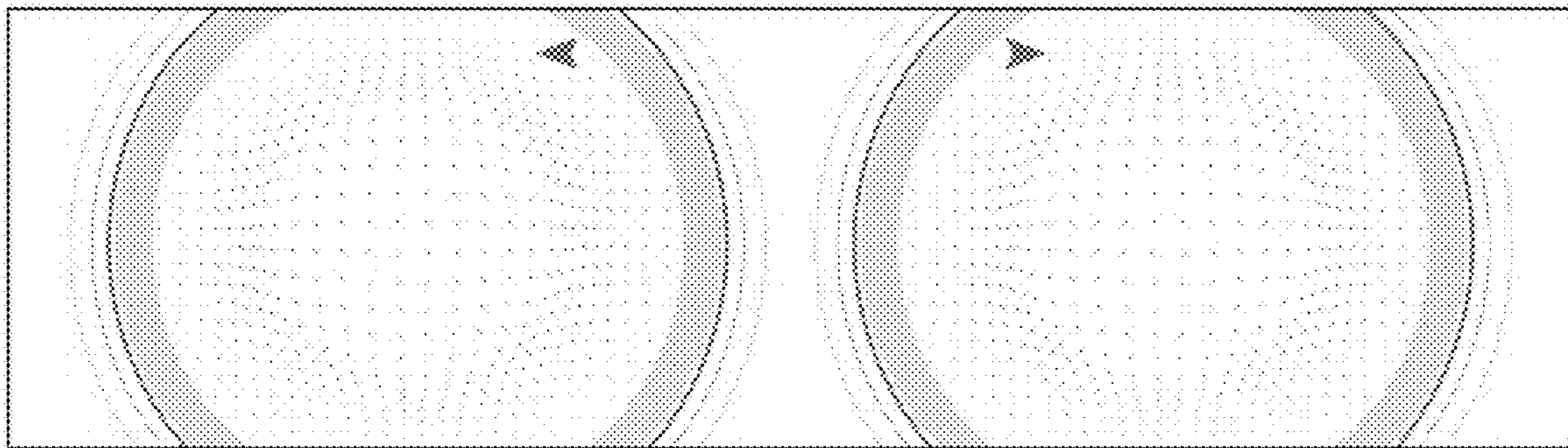
1.1



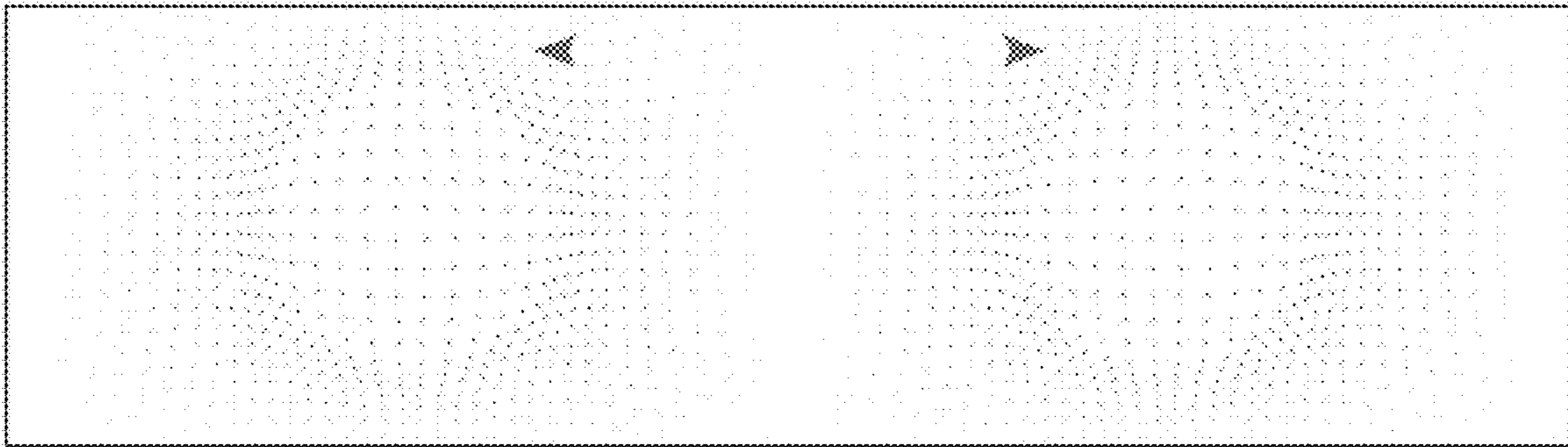
1.2

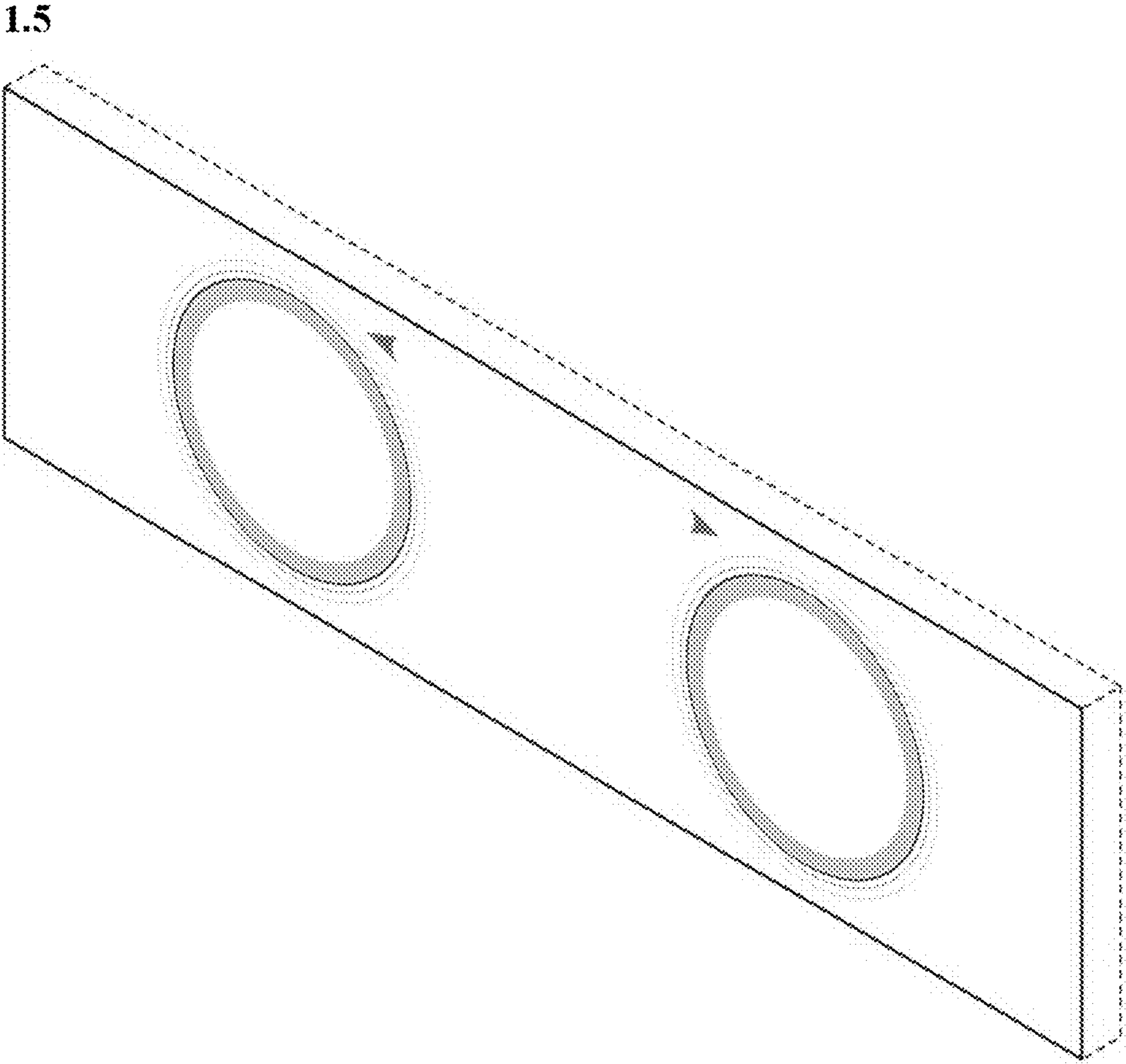


1.3

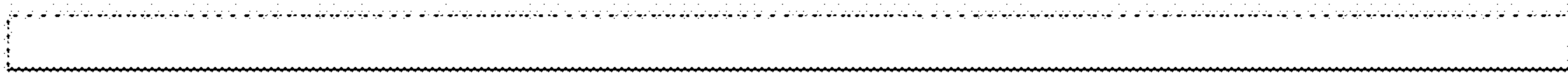


1.4





**1.6**



1.7

